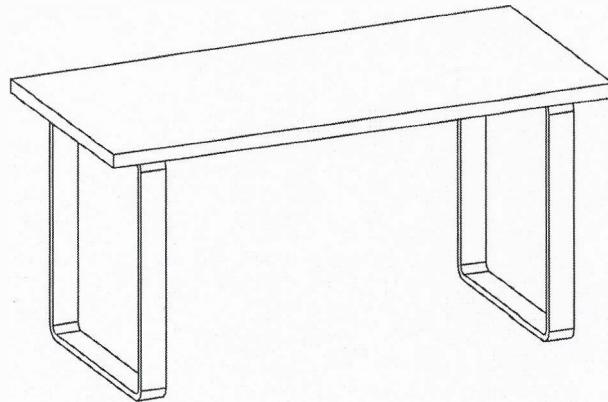
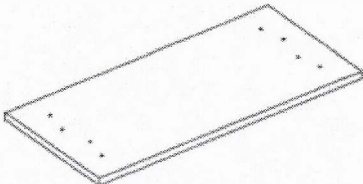

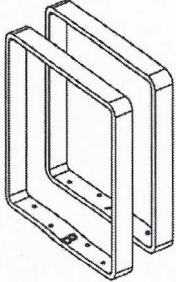



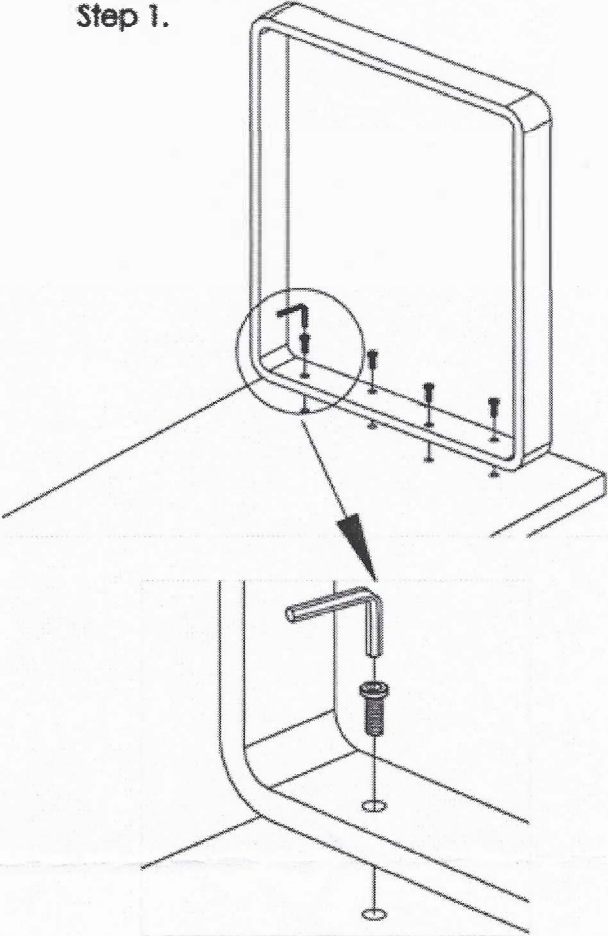
# Assembly Instructions



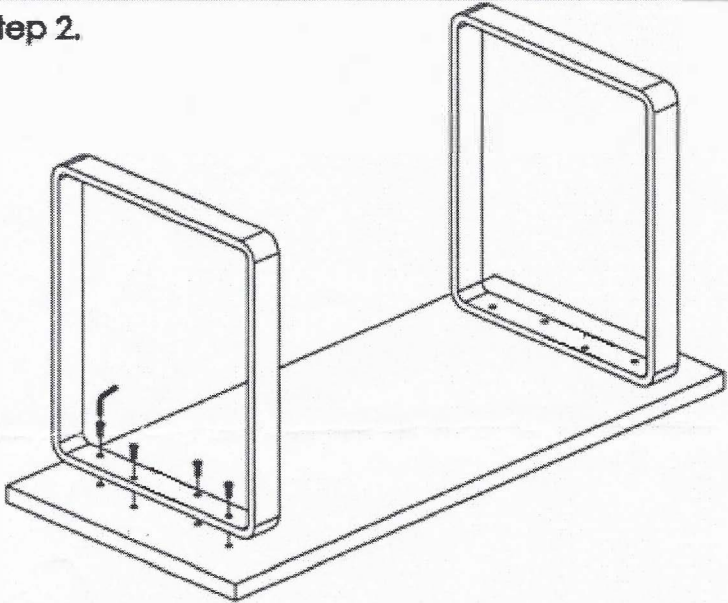
| NO | PART LIST   | QTY.     | NO. | PART LIST  | HARDWARE LIST       | QTY      |
|----|---|----------|-----|--|---------------------|----------|
| 1  |  | 01<br>Pc | A   |  | Allen Bolt<br>M6x15 | 08<br>Pc |
| 2  |  | 02<br>Pc | B   |  | Allen Key 5mm       | 01<br>Pc |

# Assembly Instruction

Step 1.



Step 2.



Step 3.

