


ASSEMBLY INSTRUCTIONS


① Stud Bolt 5/16 x6




② Butterfly Nut 5/16 x6




③ SCREWS 5X70 x12



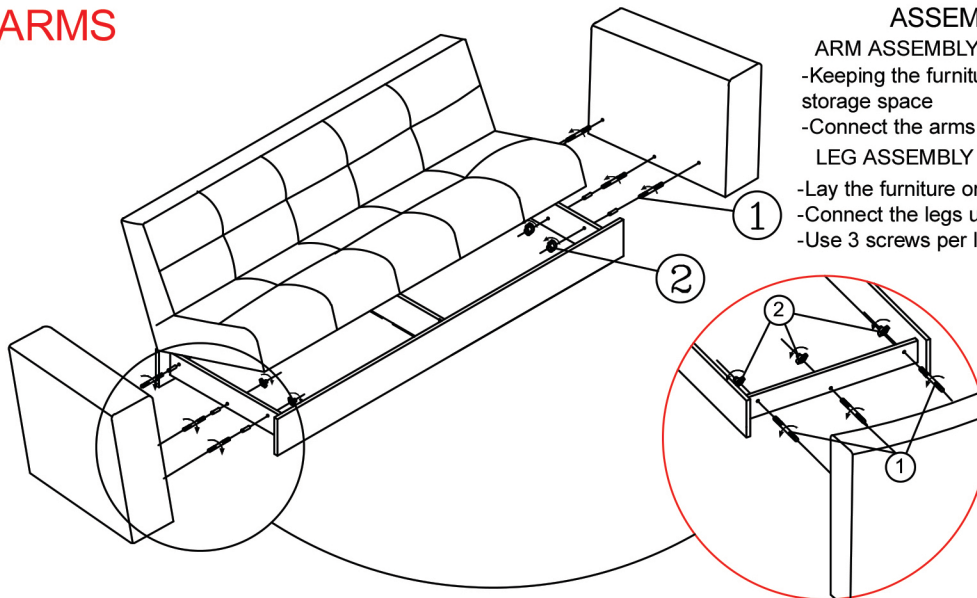
④ LEGS x4



⑤ ONLY FOR SOFA AND LOVESEAT Support Leg x1



ARMS



ASSEMBLY INSTRUCTIONS

- ARM ASSEMBLY**
- Keeping the furniture in seating position get access to storage space
 - Connect the arms with bolts(1) and butterfly nuts(2)
- LEG ASSEMBLY**
- Lay the furniture on its back
 - Connect the legs under the arms with screws (3)
 - Use 3 screws per leg

LEGS

