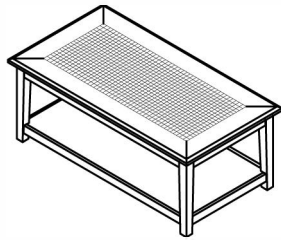
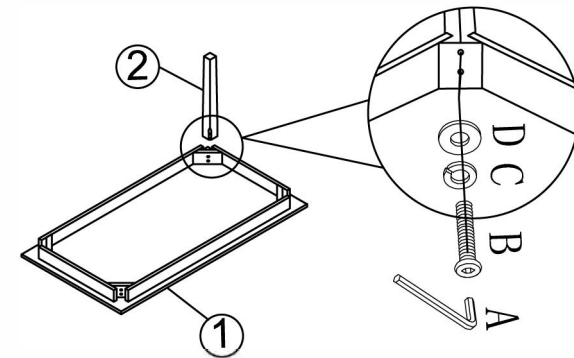


ASSEMBLY INSTRUCTIONS & PARTS IDENTIFICATION



STEP 1



			COCKTAIL
A	Allen Wrench 4MM	1798-1P01	1PC
B	Screw $\phi 1/4 \times 2''$		12PCS
C	Lock Washer $\phi 1/4''$		12PCS
D	Flat Washer $\phi 1/4'' \times 16MM$		12PCS
E	Caster	1798-1P03	4PCS
F	Hardware		1PC
G	Flat Washer $\phi 5/16'' \times 19MM$		4PCS
1	Top	1798-1P54	1PC
2	Leg	1798-1P02	4PCS
3	Shelf	1798-1P08	1PC

STEP 2

