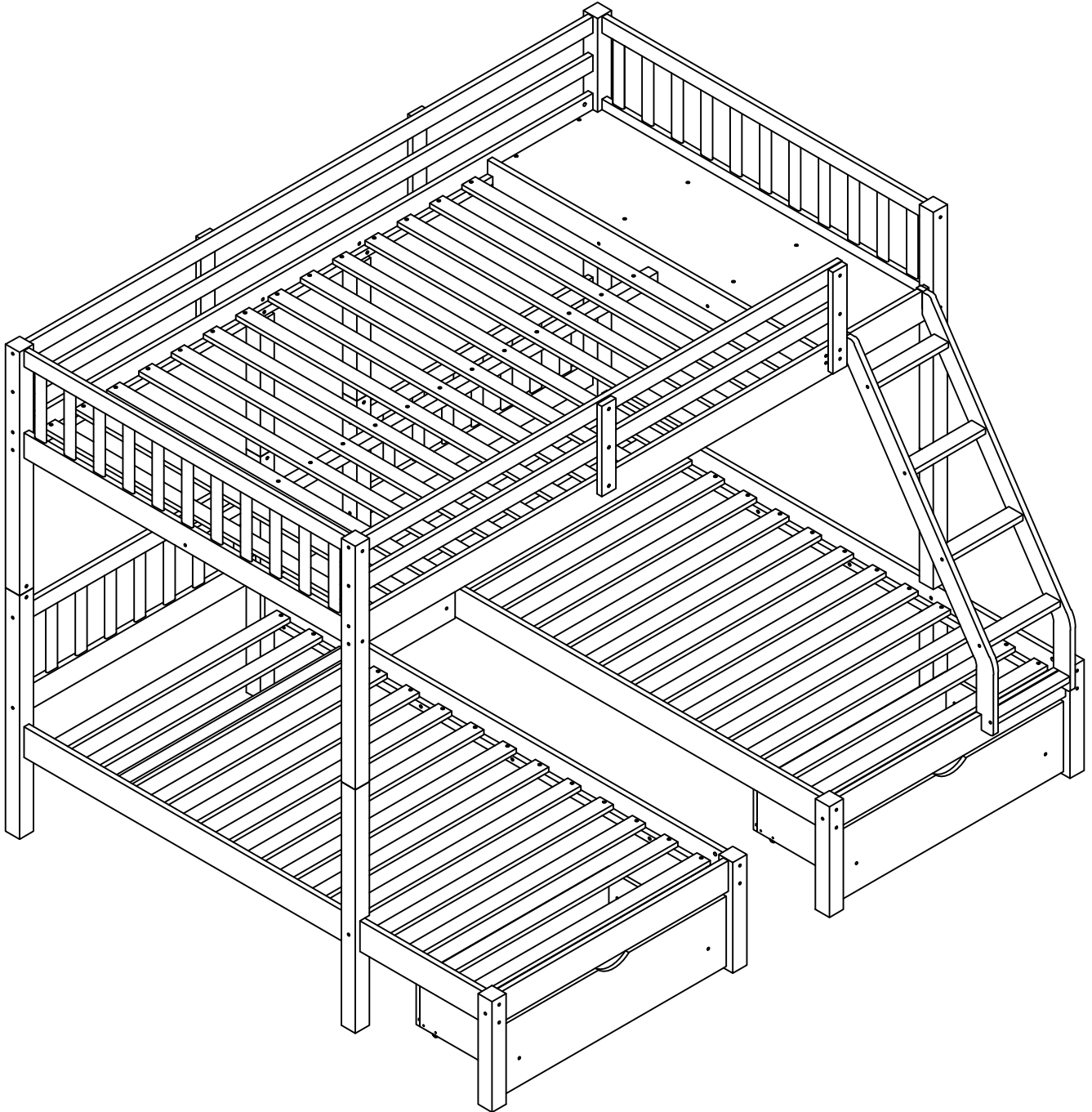
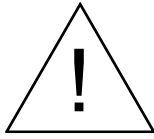


ASSEMBLY INSTRUCTIONS

TRIPLE BUNK BED WITH DRAWERS



ASSEMBLY INSTRUCTIONS



SAFETY WARNINGS



1. This bed is designed for use only mattress (es) meeting the following specifications on the upper bunk, and lower bunk:

Upper bunk (bunk bed and tribed included)

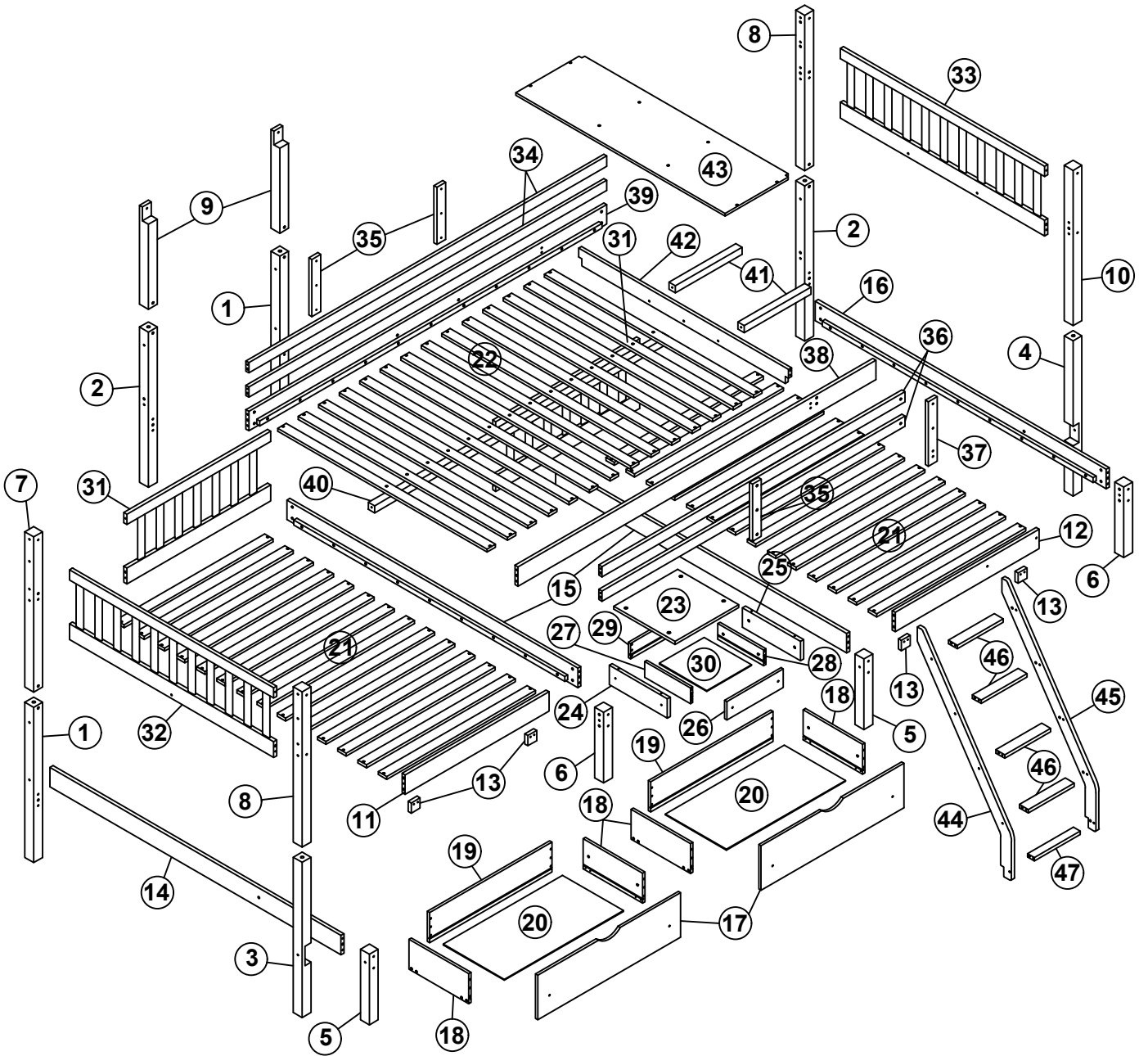
Bed Type	Length	Width	Thickness
Full Standard	74" - 75"	53" - 54"	6" max

Lower bunk

Bed Type	Length	Width	Thickness
Twin Standard	74" - 75"	37 $\frac{1}{2}$ " - 38 $\frac{1}{2}$ "	8"

2. Replacement parts, including additional guardrails, maybe obtained from any of our (GIGACLOUD TECHNOLOGY (USA) INC. 18961 ARENTH AVENUE CITY OF INDUSTRY, CA, 91748) dealers
3. Follow the information on the warnings appearing on the upper bunk bed end structure and on the carton. Do not remove warning label from bed.
4. Always use the recommended size mattresses or mattress supports, or both, to help prevent the likelihood of entrapment or falls.
5. Surface of mattress must be at least 5" (127mm) below the upper edge of guardrails.
6. Do not allow children under 6 years of age to use the upper bunk.
7. Periodically check and ensure that the guardrail, ladder, and other components are in their proper position, free from damage, and that all connectors are tight.
8. Do not allow horseplay on or under the bed and prohibit jumping on the bed.
9. Always use the ladder for entering and leaving the upper bunk.
10. Do not use substitute part. Contact the manufacture or dealer for replacement part.
11. Use of a night light may provide added safety precaution for a child using the upper bunk.
12. Always use guardrails on both long sides of the upper bunk. If the bunk bed will be placed next to the wall, the guardrail that runs the full length of the bed should be placed against the wall to prevent entrapment between the bed and wall.
13. The use of water or sleep flotation mattresses is prohibited.
14. **STRANGULATION HAZARD** - Never attach or hang items to any part of the bunk bed that are not designed for use with the bed; for example, but not limited to, hook, belts and jump ropes.
15. Keep these instruction for future reference.
16. Prohibit more than one person on upper bunk
17. We recommend assembling your bunk bed on the shipping carton to protect your floor or carpet.
18. Be certain all staples are out of the box before beginning assembly on the shipping carton.

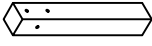
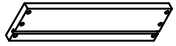
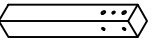
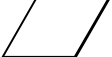
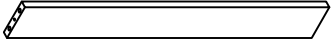
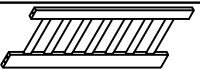
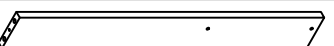
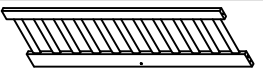

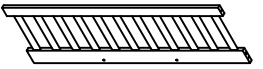
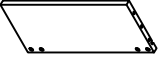
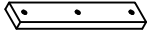
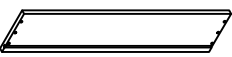
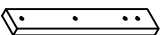

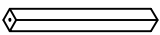

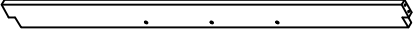
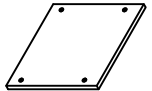


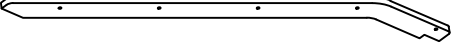

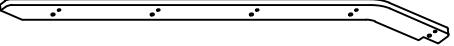
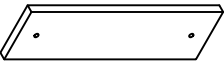
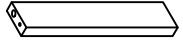

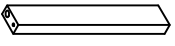
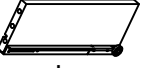
ASSEMBLY INSTRUCTIONS



ASSEMBLY INSTRUCTIONS

PARTS LIST

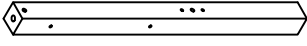
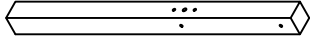
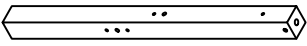

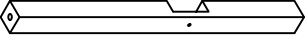
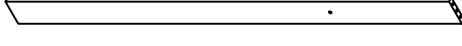
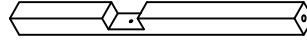
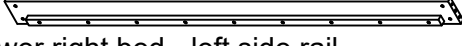
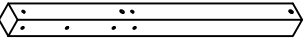

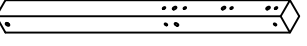
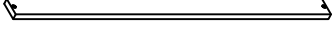
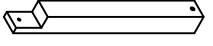

WF286185

5	 Lower bed footboard - left legs	2pcs	29	 Night stand - drawer back panel	1pc
6	 Lower bed footboard - right legs	2pcs	30	 Night stand - drawer bottom panel	1pc
11	 Lower left bed - footboard panel	1pc	31	 Lower bed - headboard	2pcs
12	 Lower left bed - footboard panel	1pc	32	 Upper bed - head board	1pc
17	 Drawer front panels	2pcs	33	 Upper bed - head board	1pc
18	 Drawer side panel	4pcs	35	 Upper bed - guard rail supports	3pcs
19	 Drawer back panel	2pcs	37	 Upper bed - front guard rail support	1pc
20	 Drawer bottom panel	2pcs	41	 Upper bed - center rails	2pcs
22	 Upper bed slats	14pcs	42	 Toy tray bar	1pc
23	 Night stand - top panel	1pc	43	 Toy tray panel	1pc
24	 Night stand - left panel	1pc	44	 Ladder left leg	1pc
25	 Night stand - right panel	1pc	45	 Ladder right leg	1pc
26	 Night stand - drawer front panel	1pc	46	 Ladder steps	4pcs
27	 Night stand - drawer left panel	1pc	47	 Ladder step	4pcs
28	 Night stand - drawer right panel	1pc			

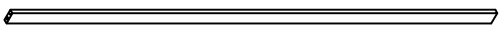



ASSEMBLY INSTRUCTIONS

PARTS LIST

WF286186 (Hardware in this SKU)


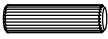





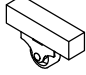
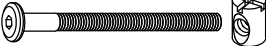




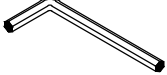


1		2pcs	10		1pc
2		2pcs	13		4pcs
3		1pc	14		1pc
4		1pc	15		2pcs
7		1pc	16		1pc
8		2pcs	21		28pcs
9		2pcs	40		1pc

WF286187

34		2pcs	38		1pc
36		2pcs	39		1pc

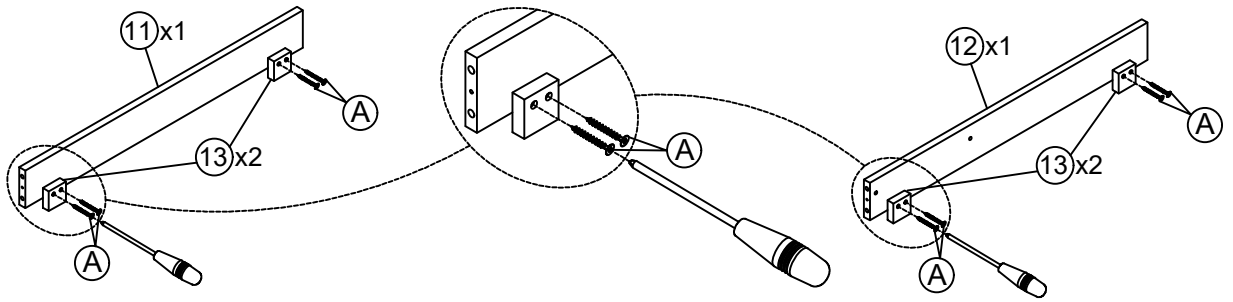
ASSEMBLY INSTRUCTIONS

HARDWARE LIST (WF286186)

A	Ø4x30		155PCS		H	Ø8x30		24PCS
B	Ø4x15		6PCS		I	Ø10x40		44PCS
C	6.5x100		26PCS		J	Ø14x100		6PCS
D	6.5x60		26PCS		K			8PCS
E	1/4x110	 	24PCS		L	70x18x2		2PCS
F	1/4x60	 	12PCS		M	4x58		1PC
G	1/4x35	 	8PCS					

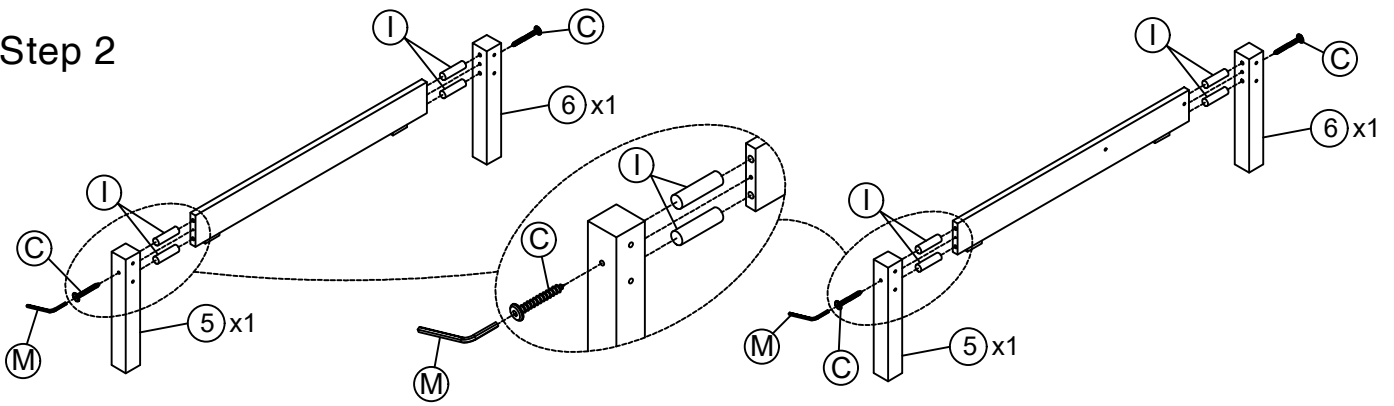
ASSEMBLY INSTRUCTIONS


Step 1




A	Ø4x30		8PCS
----------	-------	---	------

Step 2

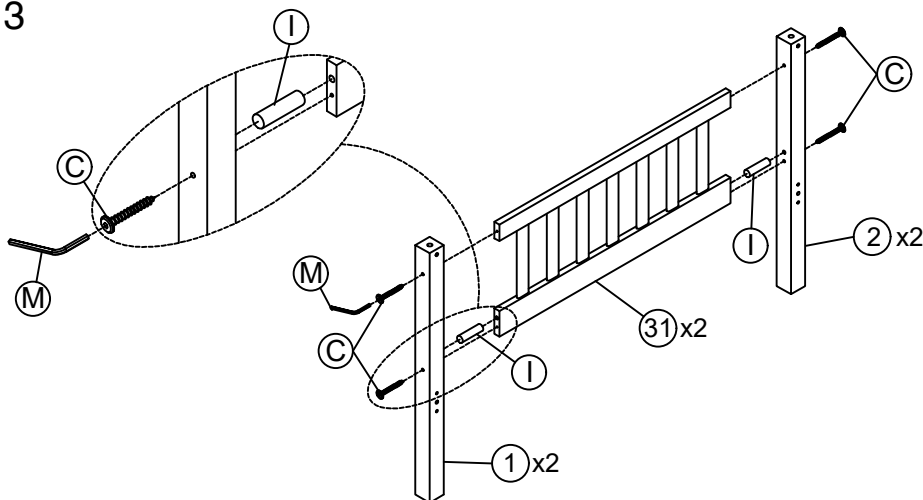



M	4x58		1PC
----------	------	---	-----

I	Ø10x40		8PCS
----------	--------	---	------


C	6.5x100		4PCS
----------	---------	---	------

Step 3



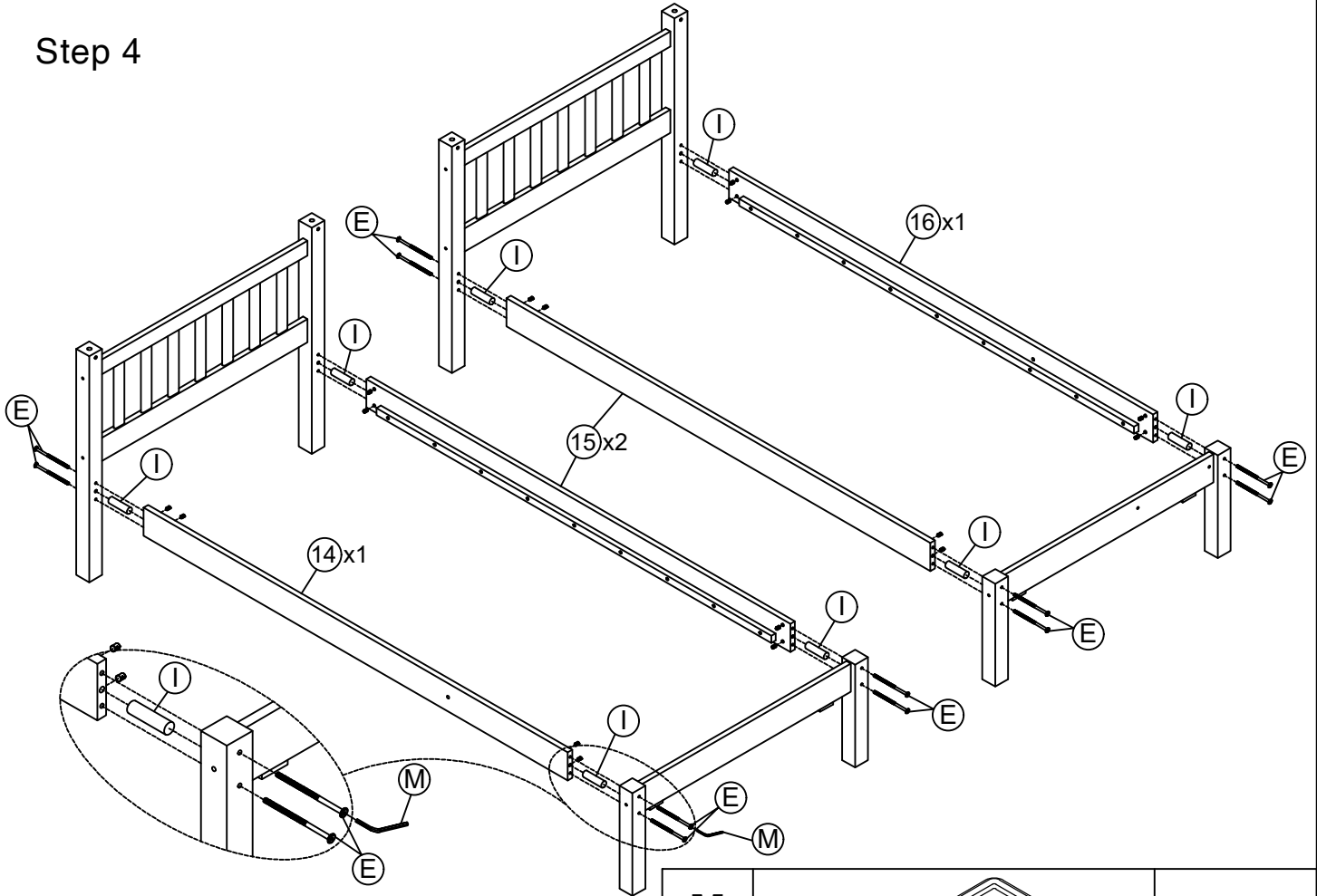
M	4x58		1PC
----------	------	---	-----



I	Ø10x40		4PCS
----------	--------	---	------

C	6.5x100		8PCS
----------	---------	---	------

ASSEMBLY INSTRUCTIONS

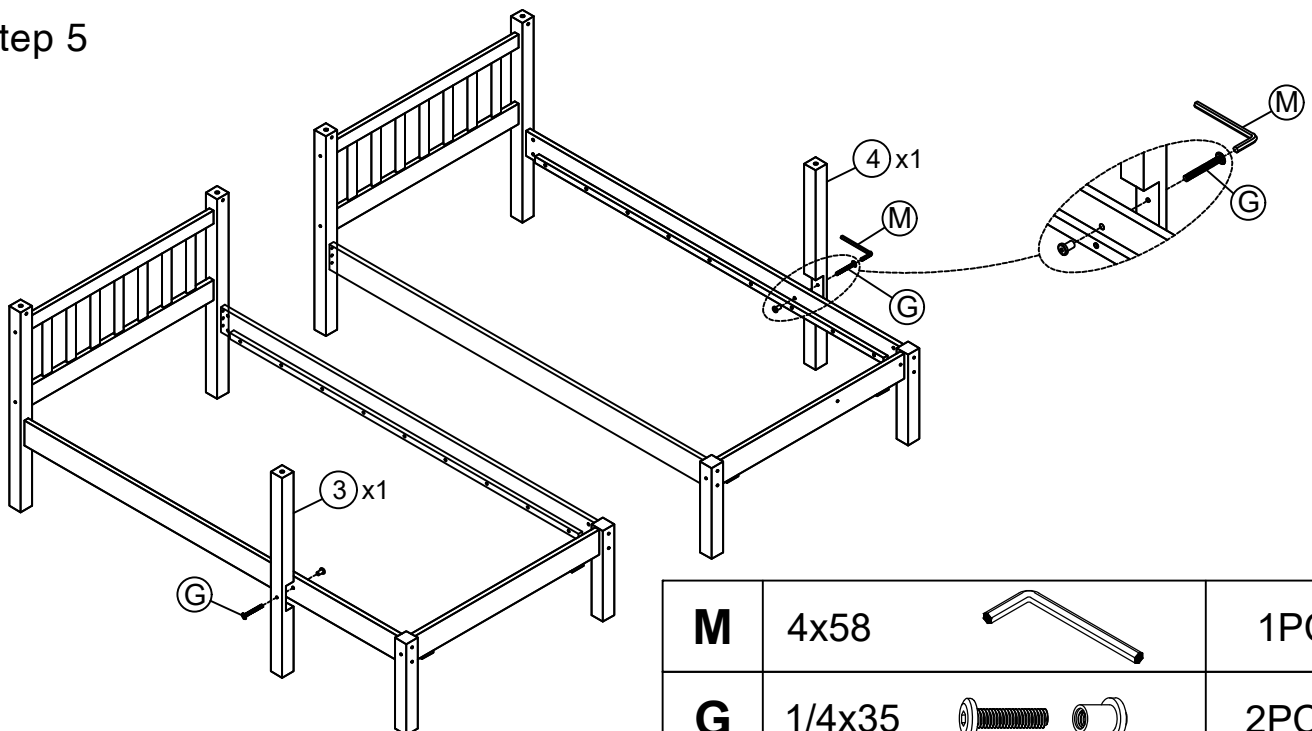
Step 4

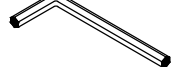



M	4x58		1PC
E	1/4x110		16PCS

I	Ø10x40		8PCS
----------	--------	---	------

Step 5

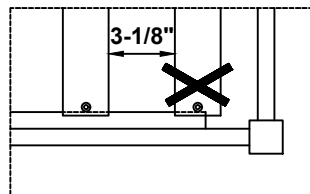
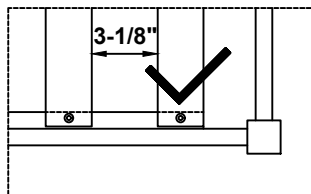
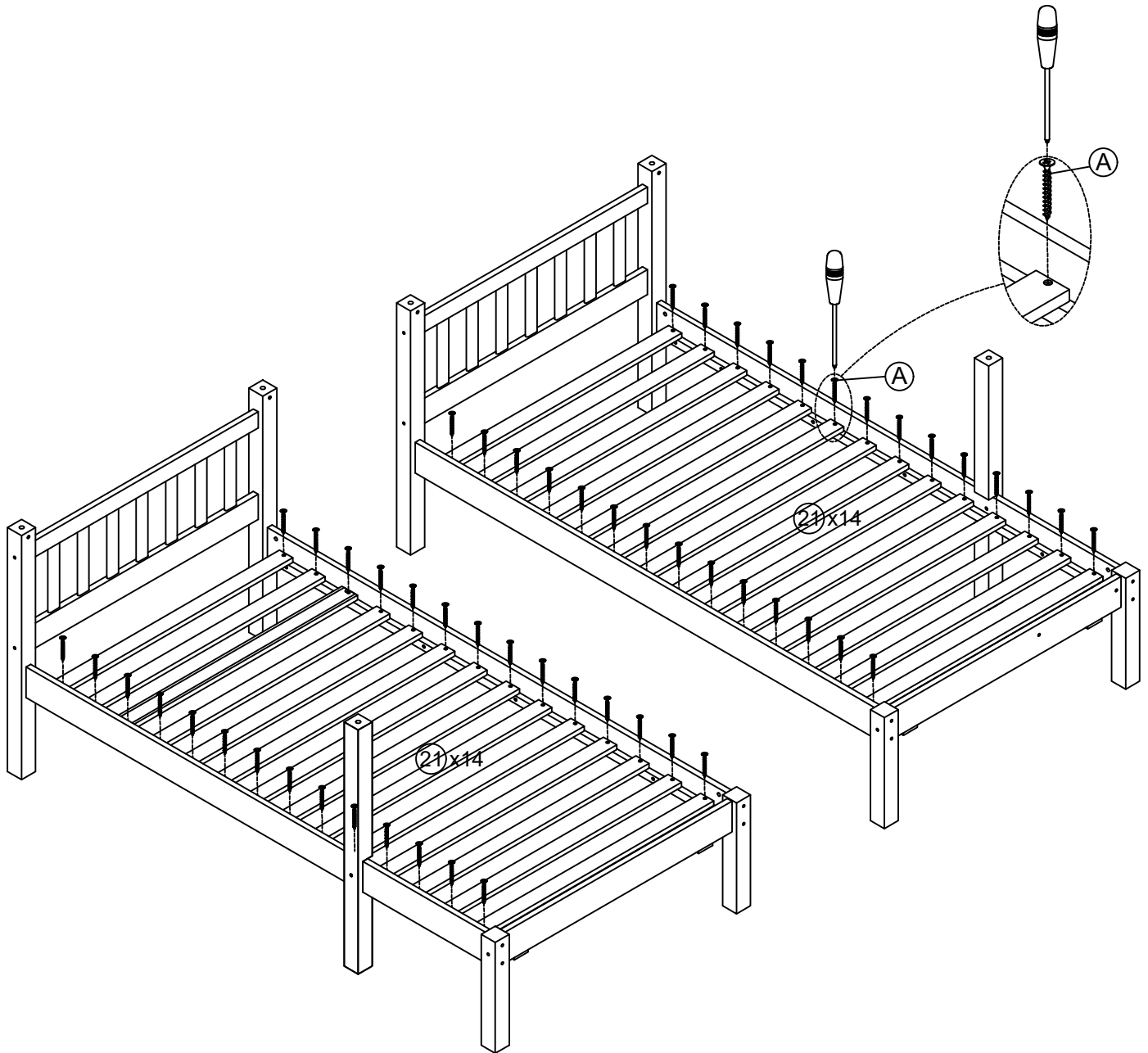


M	4x58		1PC
G	1/4x35		2PCS

ASSEMBLY INSTRUCTIONS

Step 6

First attach 2pcs part 21 to the front and end of the frame between headboard.
Then attach the remaining part 21 equidistantly between headboard



Note : Do not lock the screws of the bed slats to the outermost edge of the bed slats, you need to leave a certain space at the edges, otherwise it will cause the board to break

A

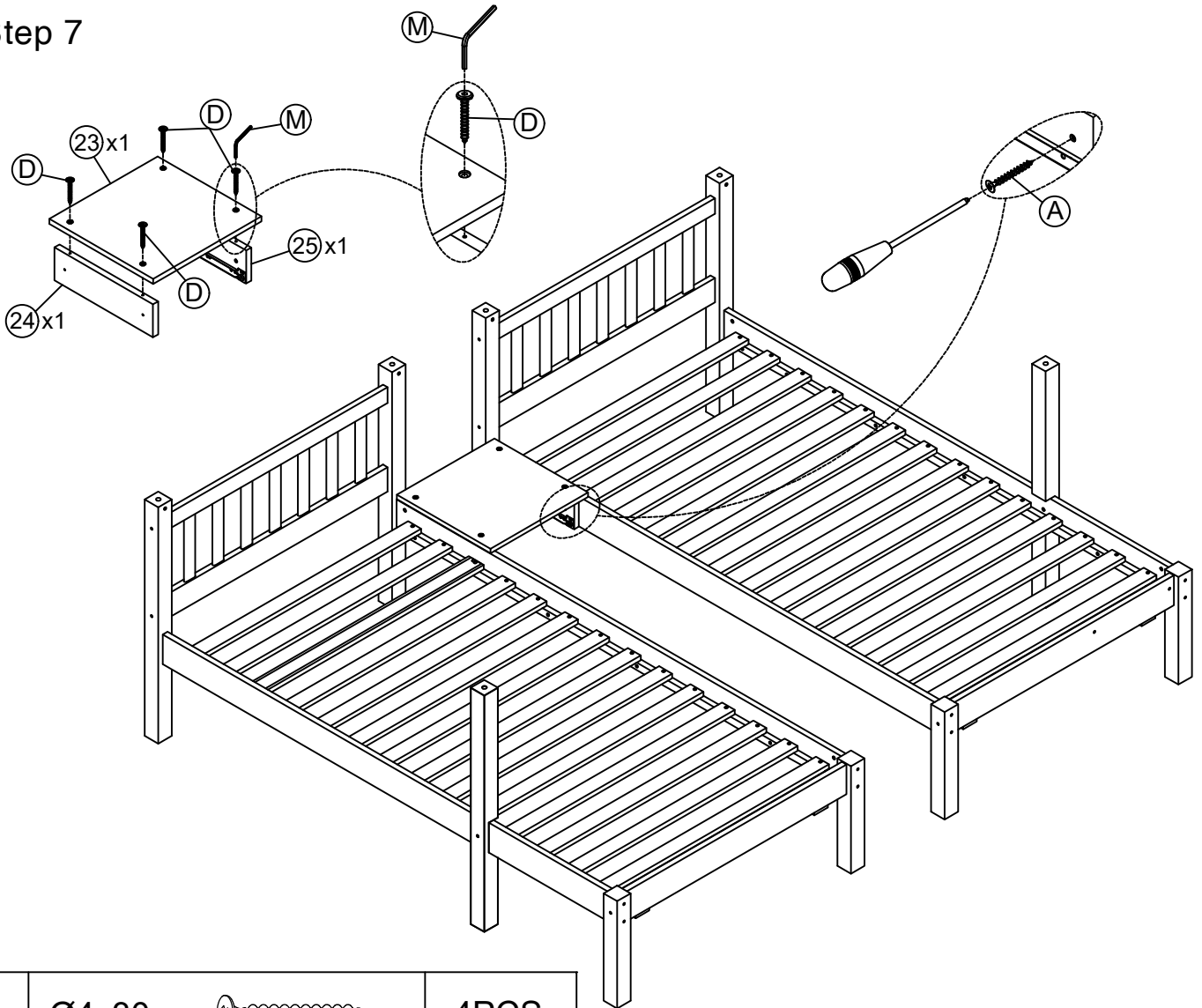
Ø4x30



56PCS

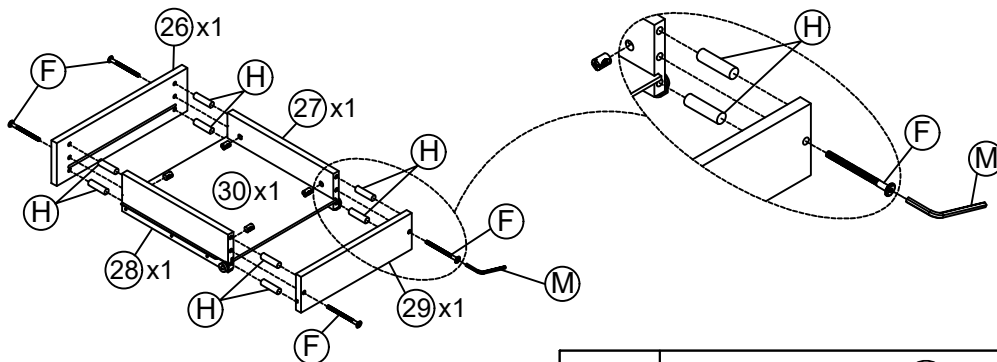
ASSEMBLY INSTRUCTIONS

Step 7



A	Ø4x30		4PCS				
D	6.5x60		4PCS	M	4x58		1PC

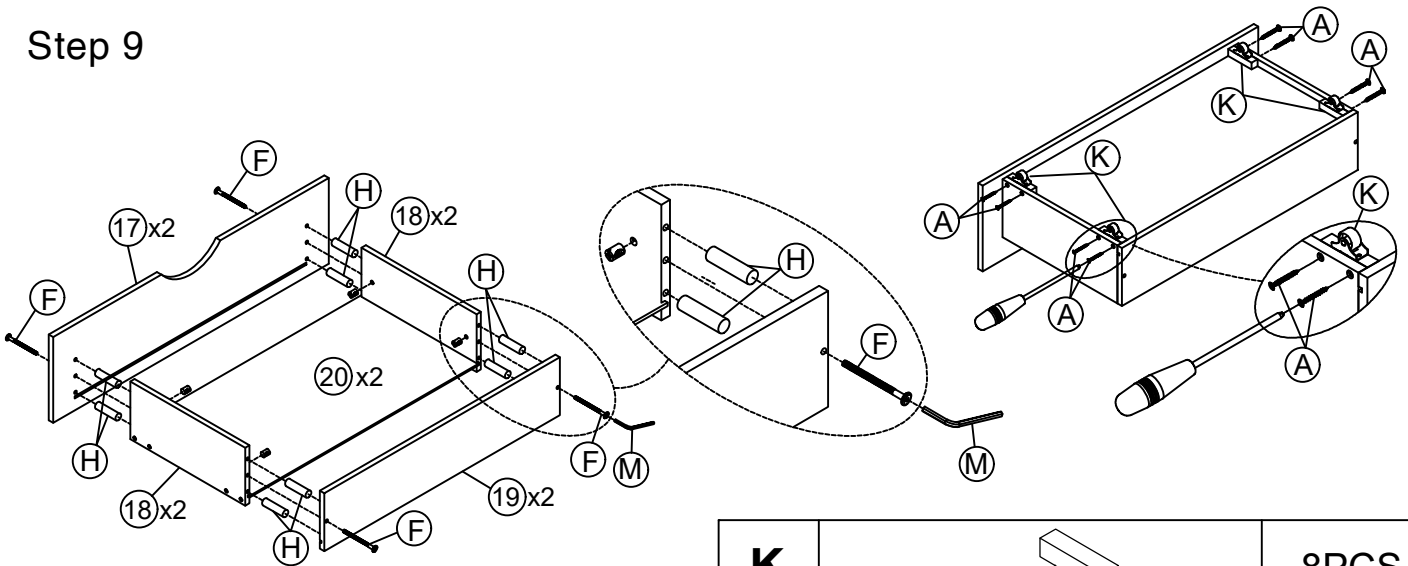
Step 8



				M	4x58		1PC
H	Ø8x30		8PCS	F	1/4x60		4PCS

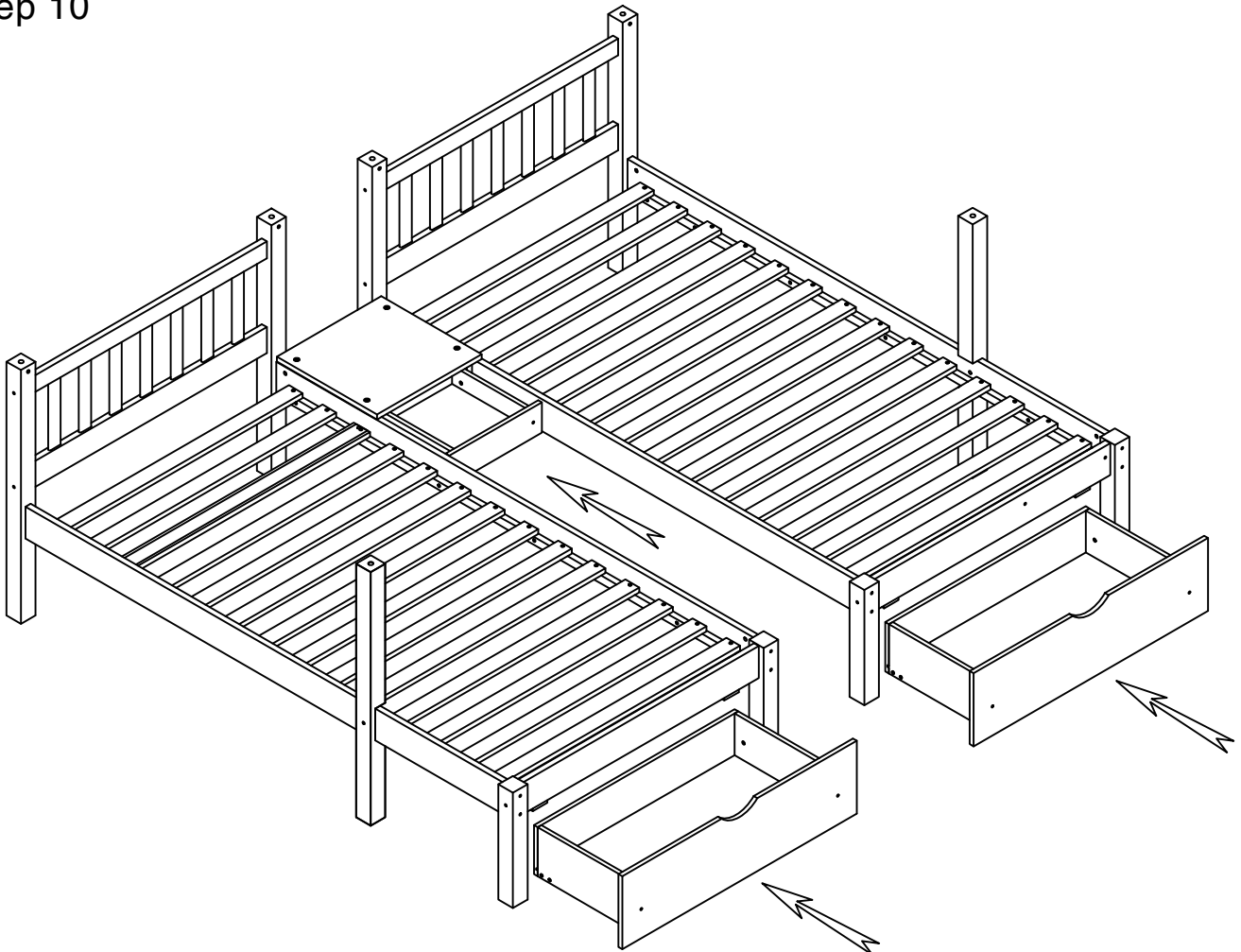
ASSEMBLY INSTRUCTIONS

Step 9



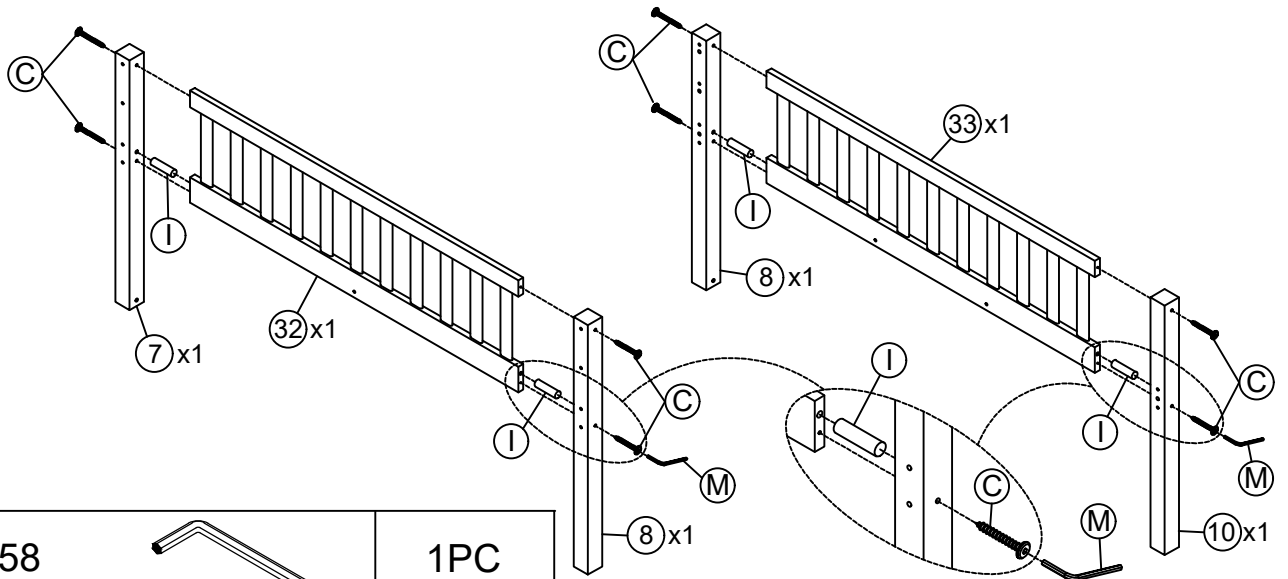
				K		8PCS
A	Ø4x30		16PCS	M		1PC
H	Ø8x30		16PCS	F		8PCS



Step 10




ASSEMBLY INSTRUCTIONS

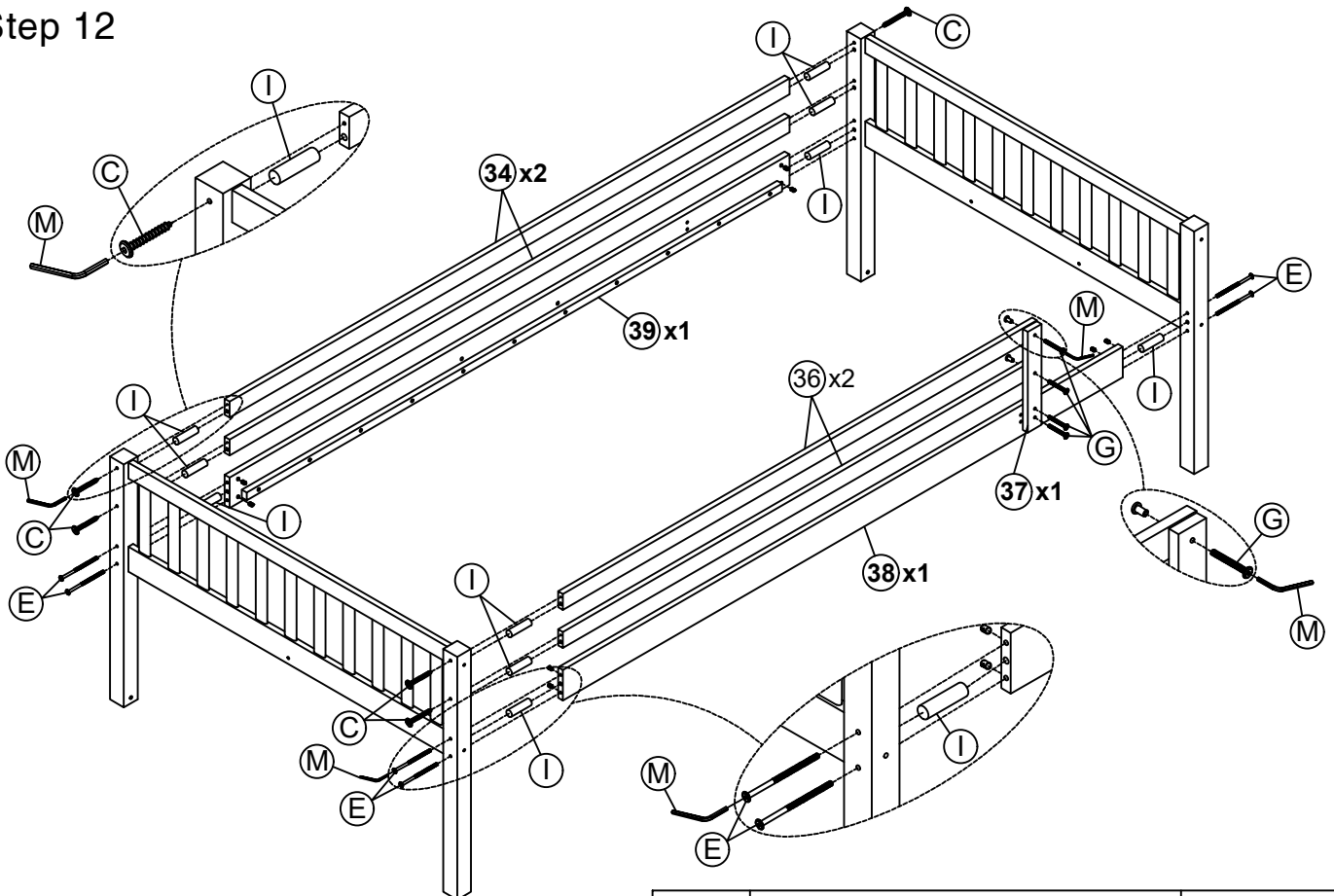
Step 11


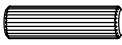





M	4x58		1PC
I	Ø10x40		4PCS

C	6.5x100		8PCS
----------	---------	---	------

Step 12

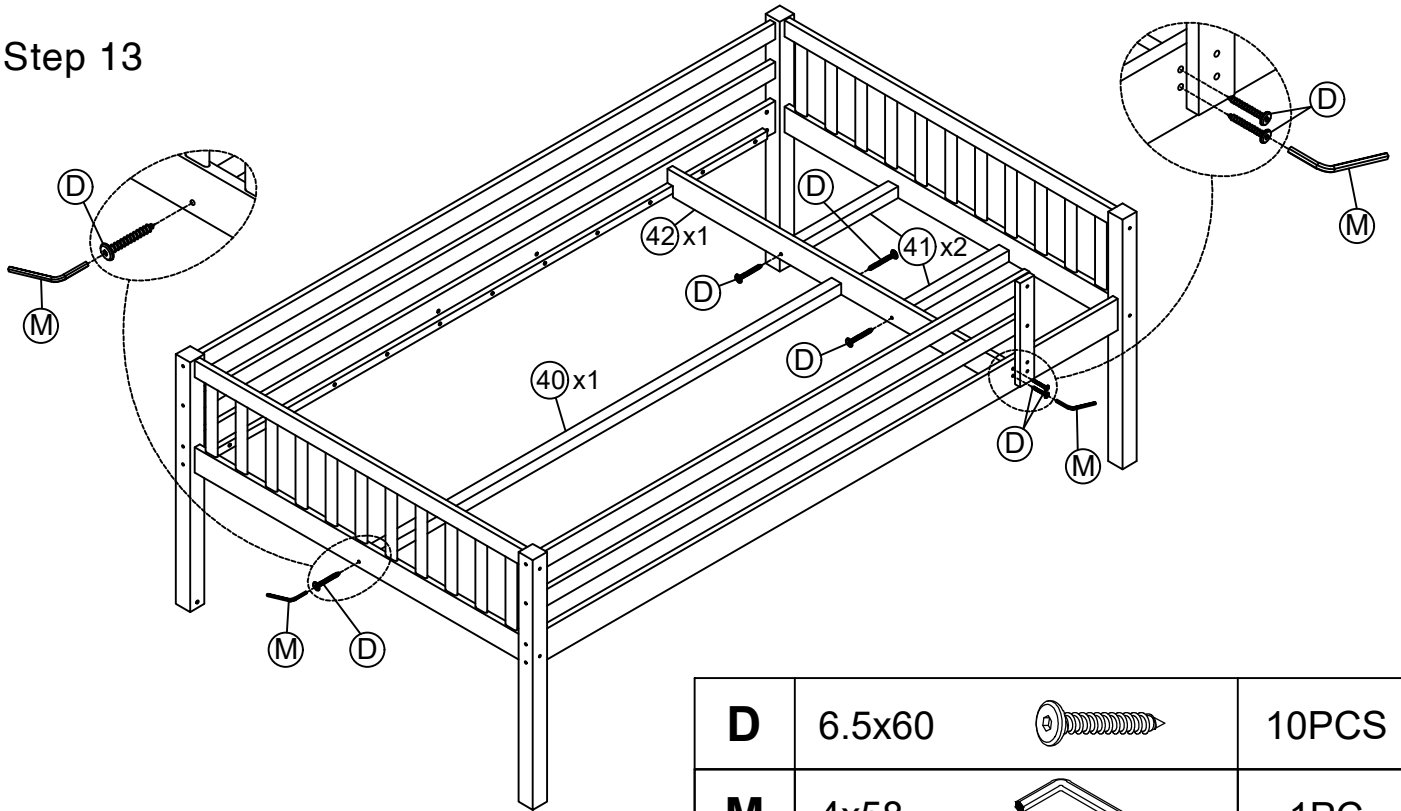




G	1/4x35		4PCS
I	Ø10x40		10PCS

C	6.5x100		6PCS
M	4x58		1PC
E	1/4x110		8PCS

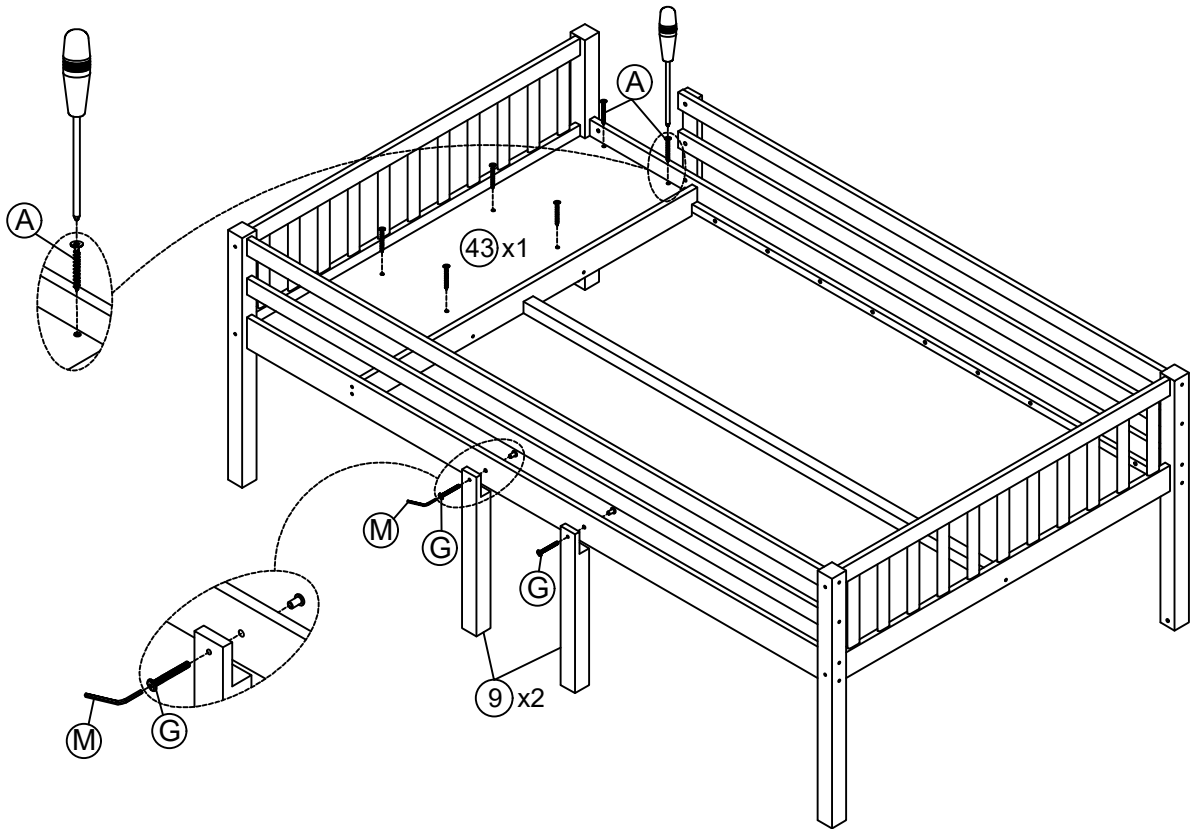
ASSEMBLY INSTRUCTIONS




Step 13



D	6.5x60		10PCS
M	4x58		1PC

Step 14

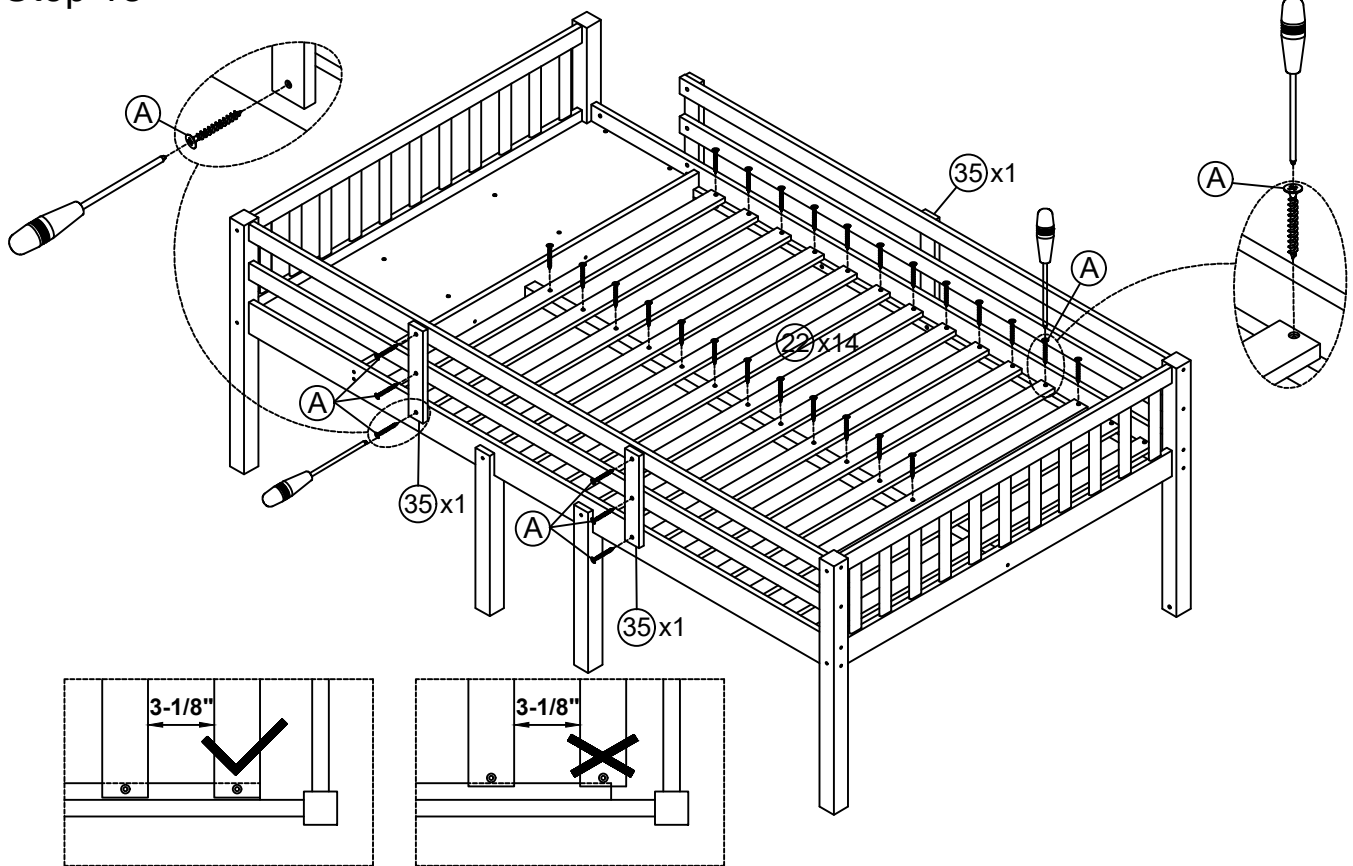


A	Ø4x30		8PCS
G	1/4x35		2PCS
M	4x58		1PC

ASSEMBLY INSTRUCTIONS

Step 15

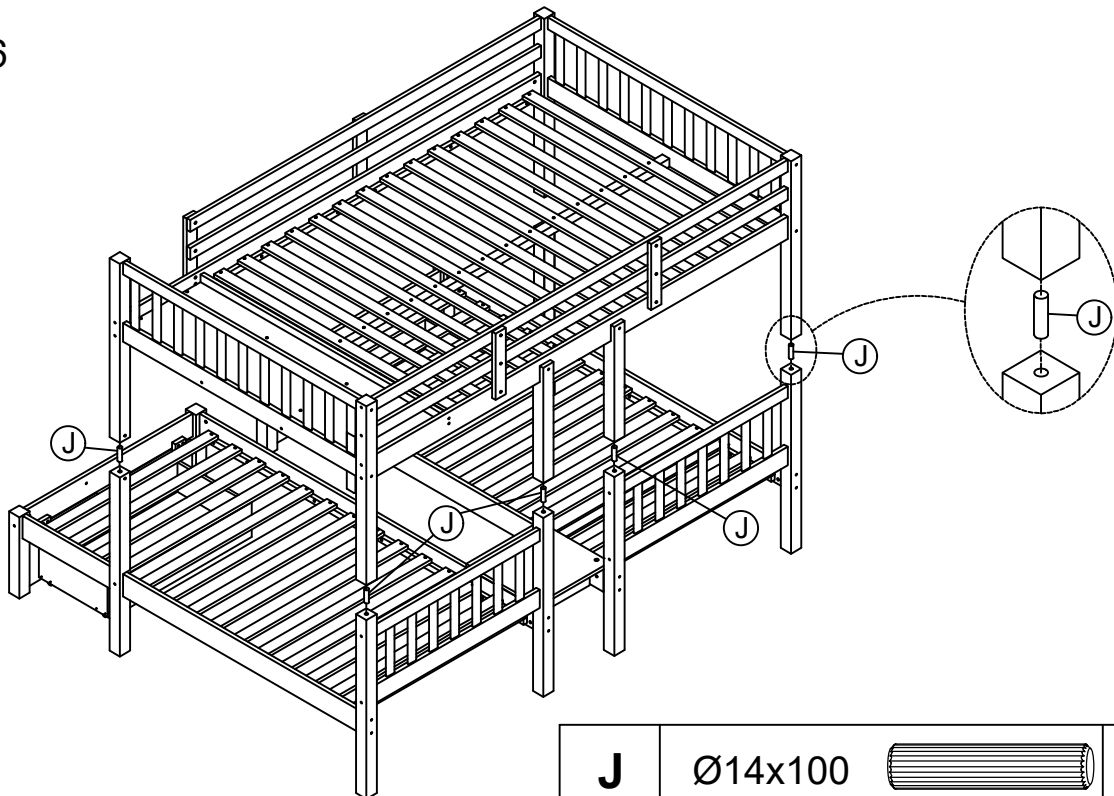
First attach 2pcs part 22 to the front and end of the frame between headboard.
Then attach the remaining part 22 equidistantly between headboard



Note : Do not lock the screws of the bed slats to the outermost edge of the bed slats, you need to leave a certain space at the edges, otherwise it will cause the board to break

A $\text{Ø}4 \times 30$  51PCS

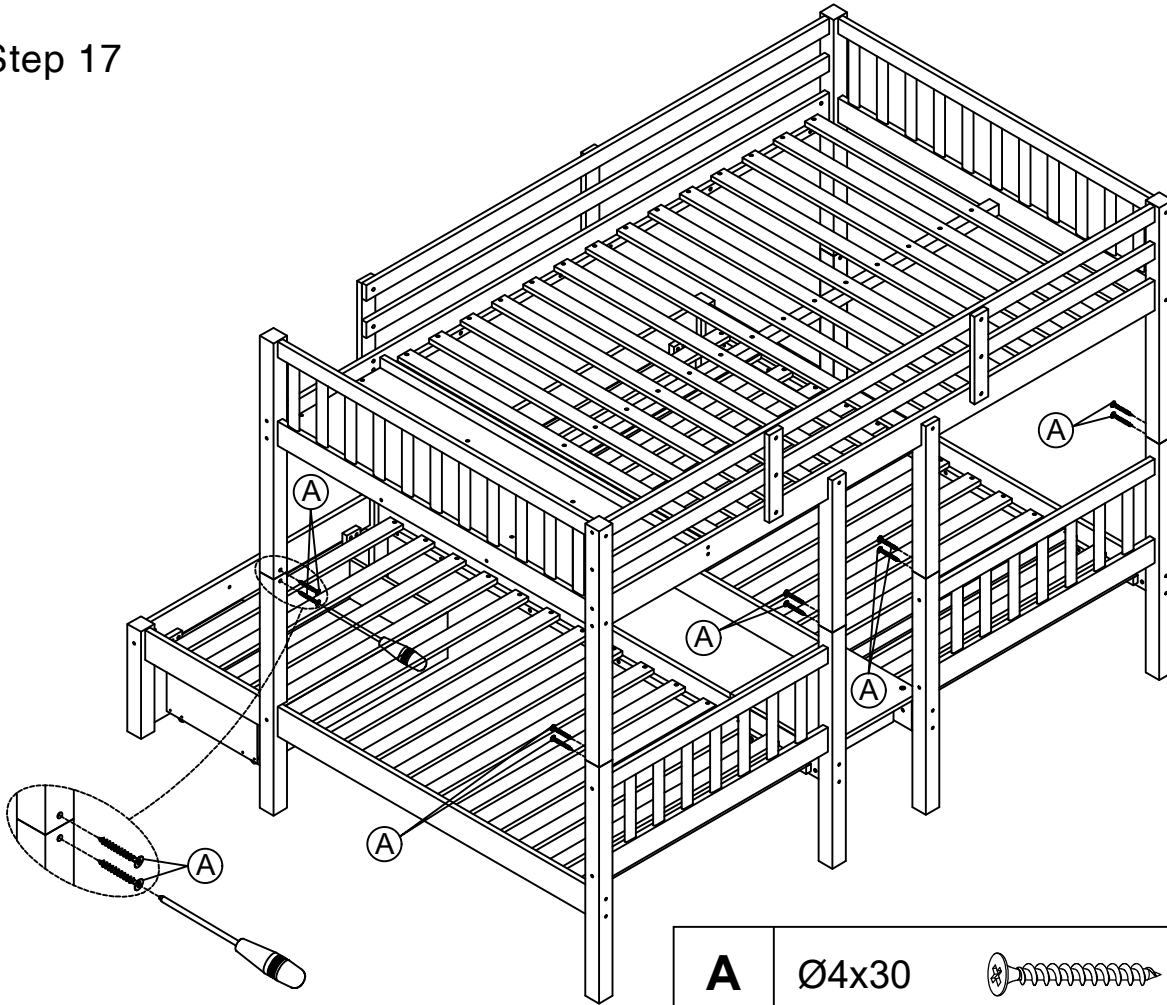
Step 16



J $\text{Ø}14 \times 100$  6PCS

ASSEMBLY INSTRUCTIONS

Step 17



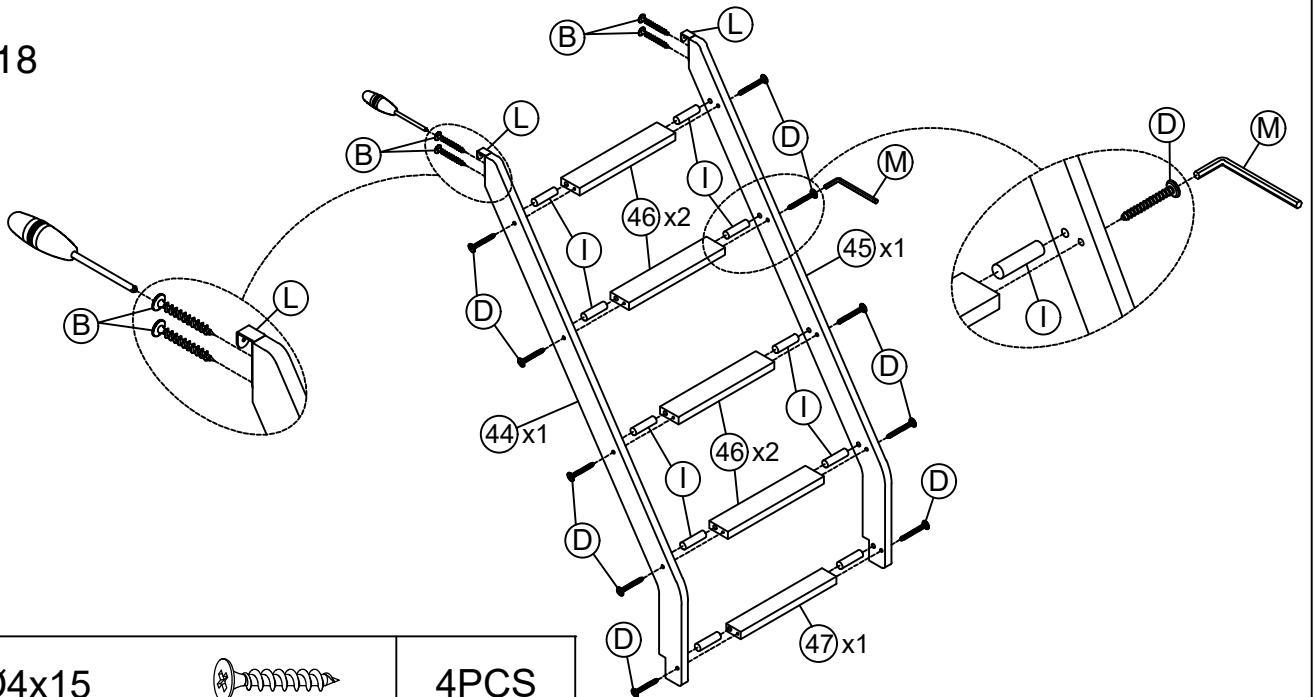
A

Ø4x30



12PCS

Step 18



B

Ø4x15



4PCS

L

70x26x18



2PCS

I

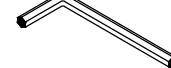
Ø10x40



10PCS

M

4x58



1PC

D

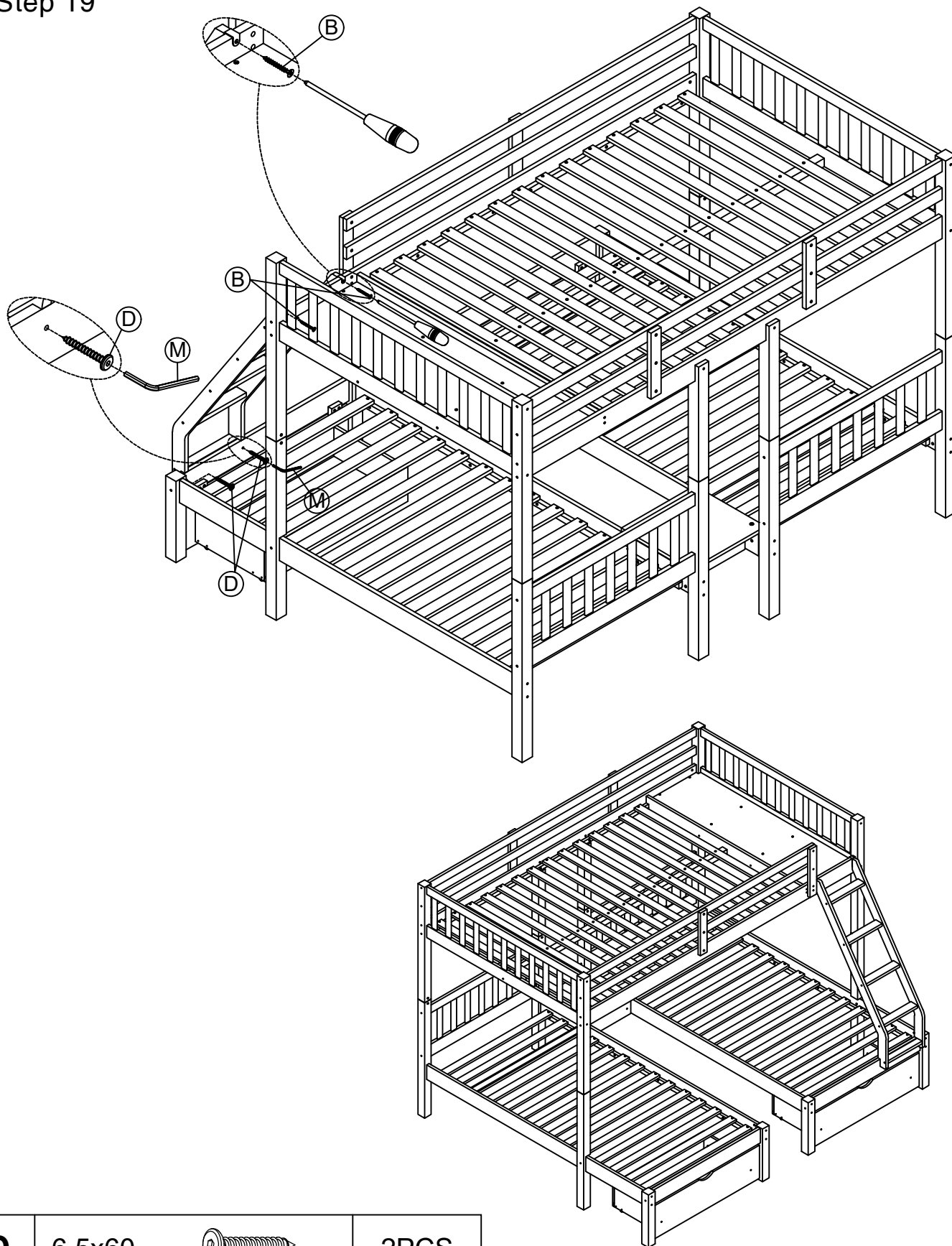
6.5x60






10PCS

ASSEMBLY INSTRUCTIONS

Step 19



D	6.5x60		2PCS			
B	Ø4x15		2PCS	M	4x58	
						1PC