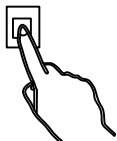
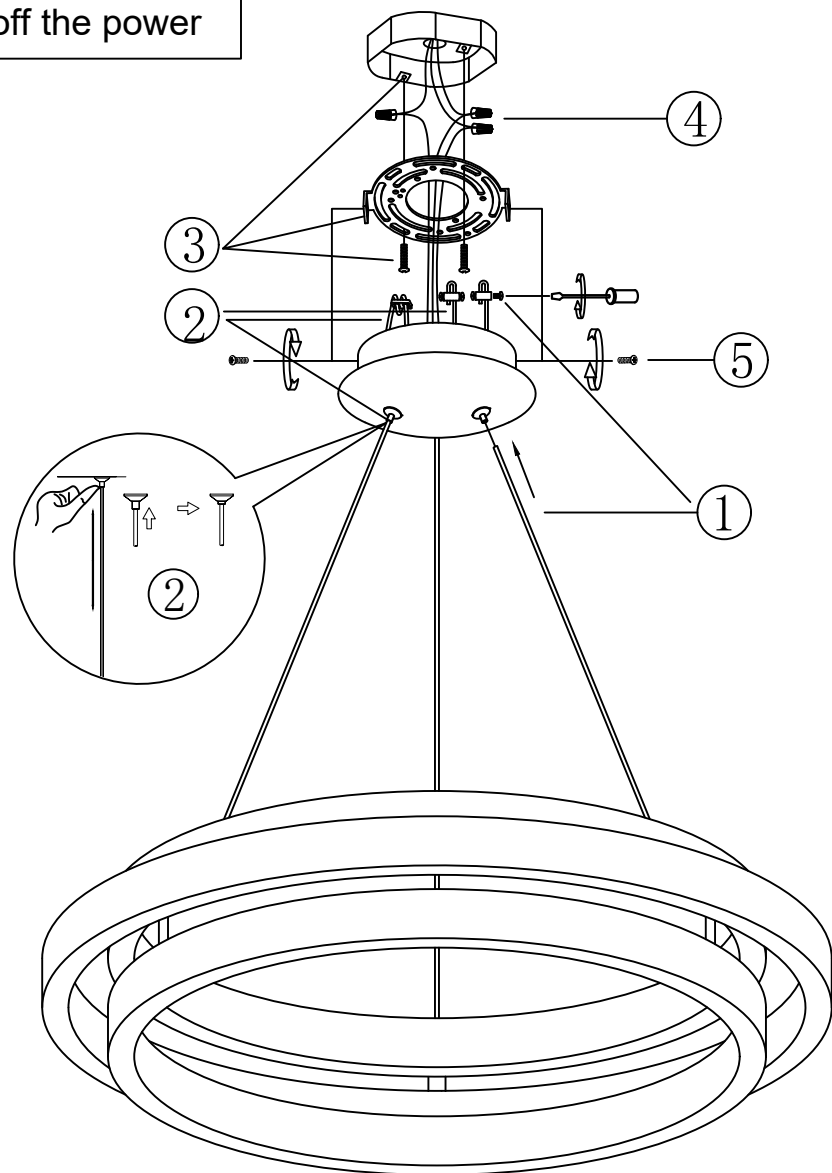


Assembly & Installation Instructions



turn off the power



PREPARATION before INSTALLATION:

1. If an existing fixture is being replaced, remove it and note to which wire in the outlet box the original fixture was attached.
2. Before discarding the carton, double-check the packaging to make sure all parts have been found.
3. This fixture was designed to be mounted on an octagon outlet box. The box must be securely mounted to the structure of the building.

IMPORTANT:

1. **WARNING** - Disconnect power before relamping or wiring the fixture. Turn off the entire electrical circuit to which the lighting fixture is attached.
2. Installation and maintenance of this fixture should be completed by a licensed electrician.
3. Failure to install the fixture correctly could result in serious injury or death.
4. Read all instructions before starting installation.

INSTALLATION STEPS:

1. Feed the steel hanging wires through the cable gripper inside the canopy, then pass them through the locking metal fitting.
2. Press the cable gripper to adjust the suspension cable to the desired height, then slide the locking metal fitting and the figure 8 fastener to the bottom of the canopy and tighten the side screws.
3. Secure the mounting bracket to the junction box by using the mounting screws.
4. Connect the wires by using the wire caps as follows:
Connect the fixture's BLACK wire to the home BLACK (LIVE/HOT) wire.
Connect the fixture's WHITE wire to the home WHITE (NEUTRAL) wire.
Connect the fixture's ground wire to the home ground wire.
Secure the fixture's ground wire to the mounting bracket with the green grounding screw. Then, tuck all wires into the junction box.
Note: make sure no bare wires are exposed to prevent electric leakage.
5. Secure the canopy to the mounting bracket with screws.
6. Restore power and test the light.