

# artos<sup>®</sup>

## FS308T

## INSTALLATION GUIDE

trova lav faucet round high

BRUSHED NICKEL(BN)



CHROME(CH)



BLACK (BK)



SATIN BRASS (SB)



# artos<sup>®</sup>

## FS308T

trova lav faucet round high

## OPERATING SPECIFICATIONS



### OPERATING PRESSURE

Minimum: 15 psi

Maximum: 75 psi

90psi+ may be necessary to install a pressure reducer

### OPERATING TEMPERATURE

Maximum: 176°

### FLOW RATE

1.2 USGPM

### REQUIREMENTS

Max Surface Thickness: 1-5/8"

### APPROVALS

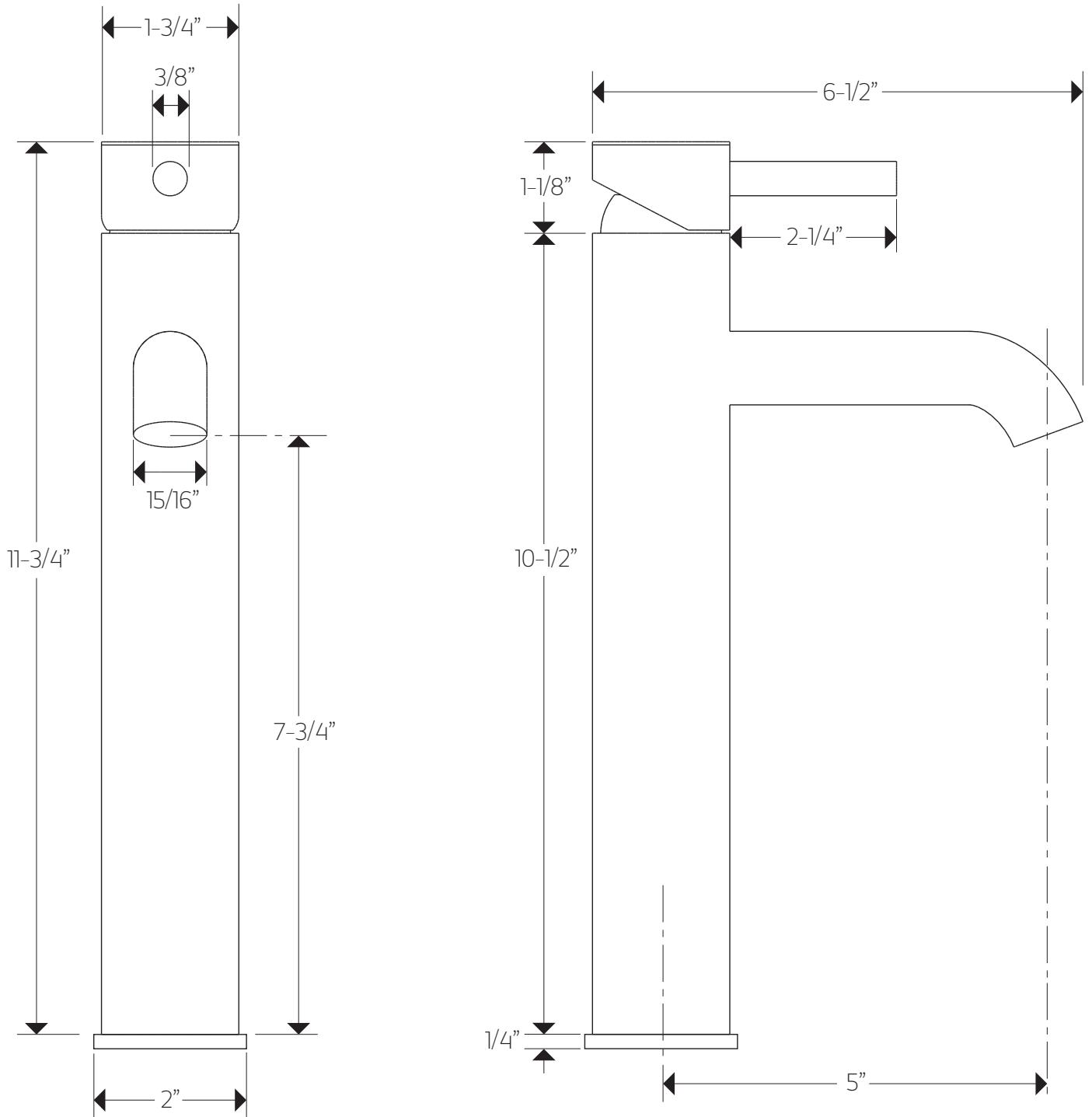


# artos<sup>®</sup>

## FS308T

## PRODUCT DIMENSIONS

trova lav faucet round high

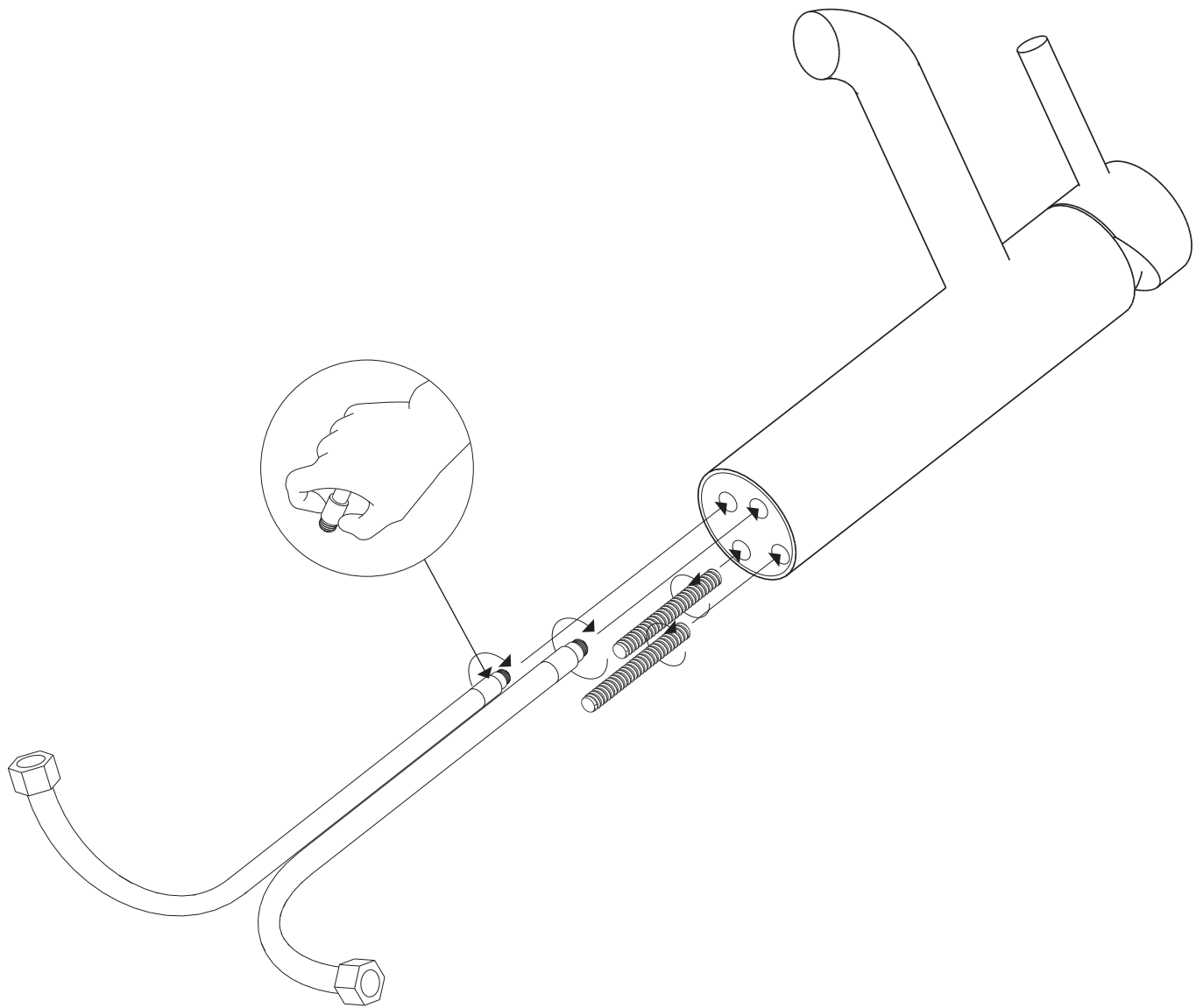


# artos<sup>®</sup>

## FS308T

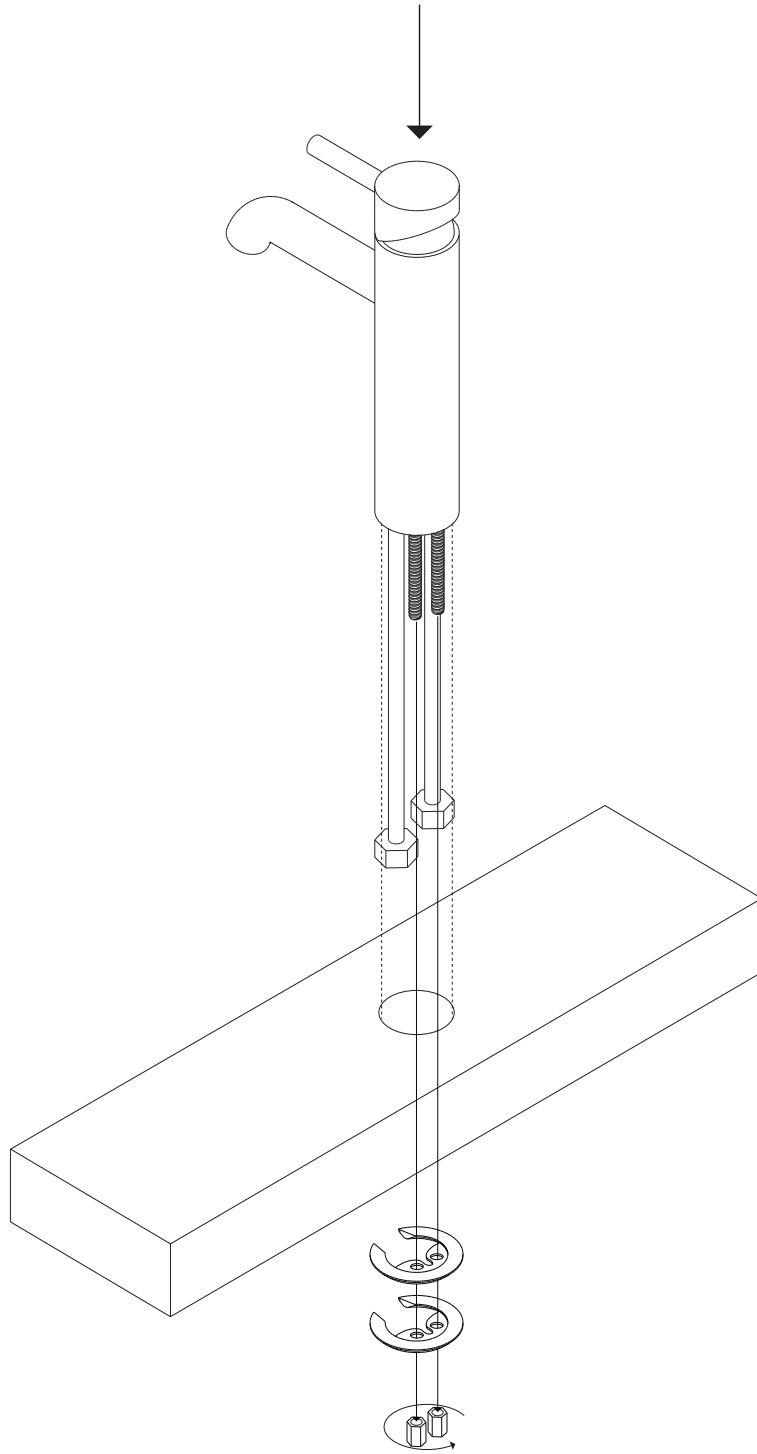
trova lav faucet round high

**STEP 1**



# INSTALLATION STEPS

## STEP 2



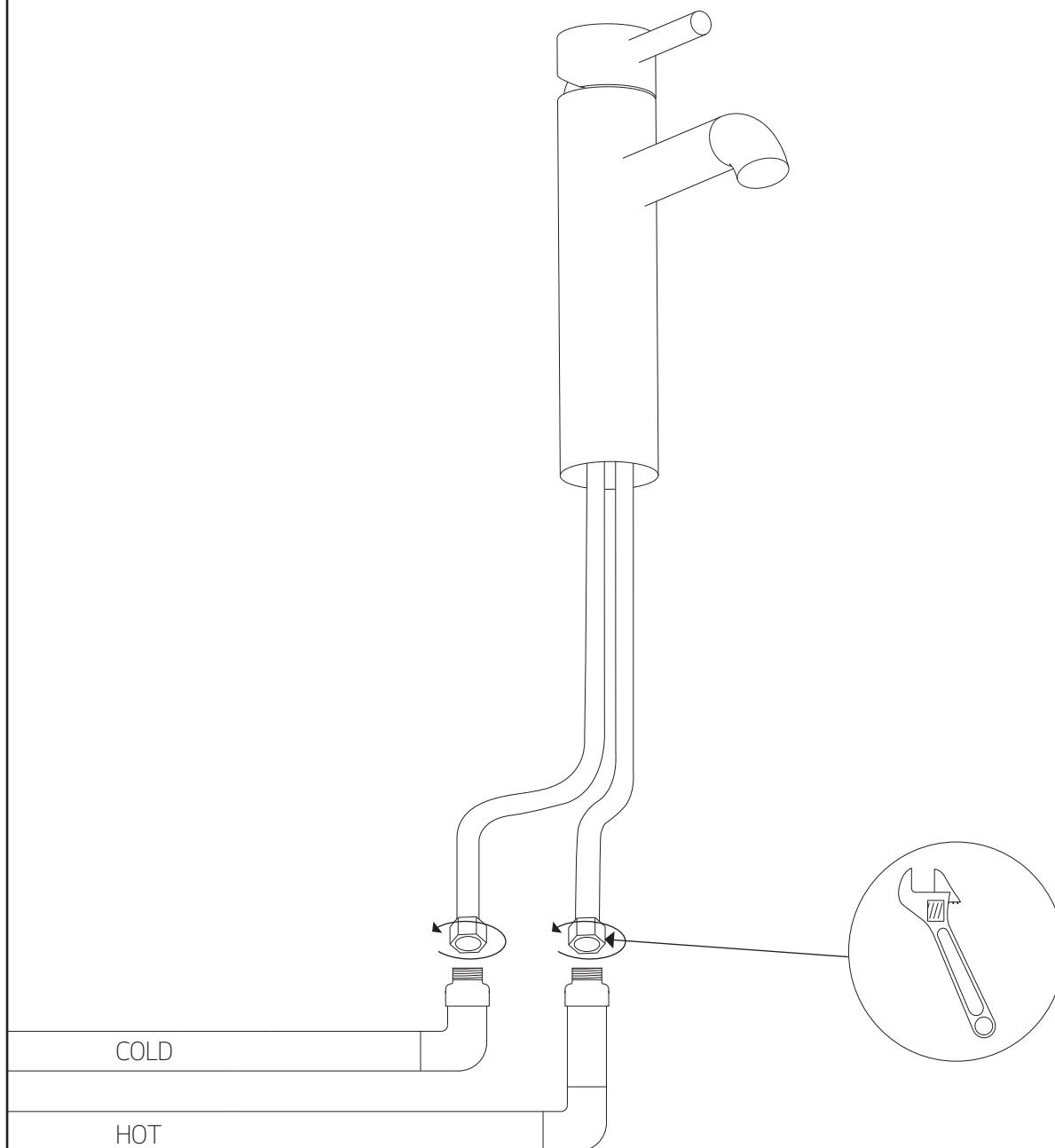
# artos<sup>®</sup>

## FS308T

trova lav faucet round high

### INSTALLATION STEPS

#### STEP 3



- ① FAUCET HANDLE F501-5-1 XP1
- ② DRESS RING F501-5-1 XP2
- ③ CARTRIDGE SECURING NUT F501-5-1 XP3
- ④ CARTRIDGE F501-5-1 XP4
- ⑤ FAUCET BODY F501-5-1 XP5
- ⑥ FAUCET ESCUTCHEON F501-5-1 XP6
- ⑦ RUBBER WASHER F501-5-1 XP7
- ⑧ METAL WASHER F501-5-1 XP8
- ⑨ THREADED ROD(2) F501-5-1 XP9
- ⑩ UNDER DECK SECURING NUT(2) F501-5-1 XP10
- ⑪ FAUCET SPOUT SET SCREW F501-5-1 XP11
- ⑫ ALLEN WRENCH F501-5-1 XP12
- ⑬ AERATOR WASHER F501-5-1 XP13
- ⑭ AERATOR F501-5-1 XP14
- ⑮ AERATOR REMOVAL TOOL F501-5-1 XP15
- ⑯ SUPPLY HOSE O-RING(2) F501-5-1 XP16
- ⑰ SUPPLY HOSE(2) F501-5-1 XP17

