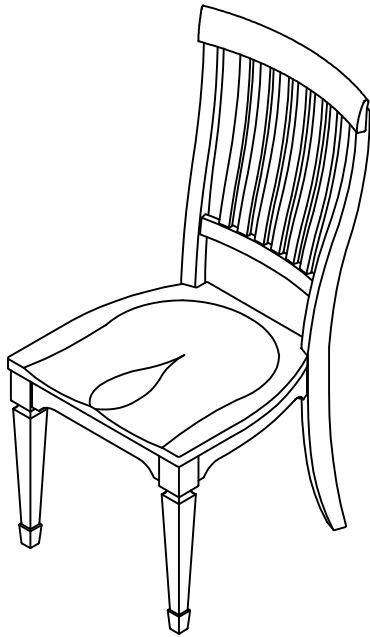


ASSEMBLY INSTRUCTION

DESCRIPTION: SLAT BACK SIDE CHAIR (RTA)

Thank you for purchasing this quality product. Be sure to check all packing material carefully for small parts, which may have come loose inside the carton during shipment. Identify and count all parts and compare with the parts list below.



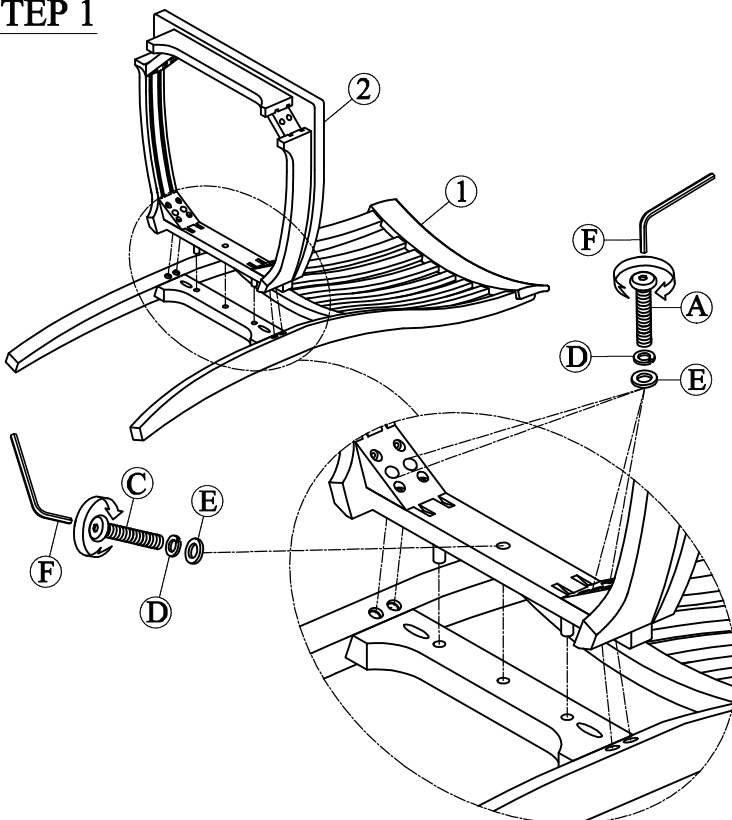
PARTS LIST

NO	DRAWING	DESCRIPTION	Q'TY
1		Back Frame	1
2		Seat Frame	1
3		Front Leg	2

HARDWARE LIST

NO	DRAWING	DESCRIPTION	Q'TY
A		Bolt Ø5/16"-18*76mm(L)	4
B		Bolt Ø5/16"-18*60mm(L)	4
C		Bolt Ø5/16"-18*38mm(L)	1
D		Spring Washer Ø5/16"*Ø13mm	9
E		Flat Washer Ø5/16"*Ø19mm	9
F		Allen Key 4mm	1

STEP 1



STEP 2

