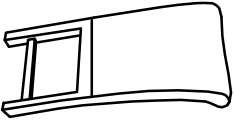
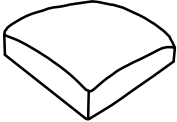

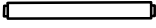
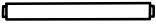
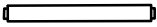









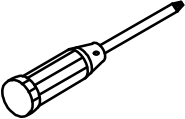
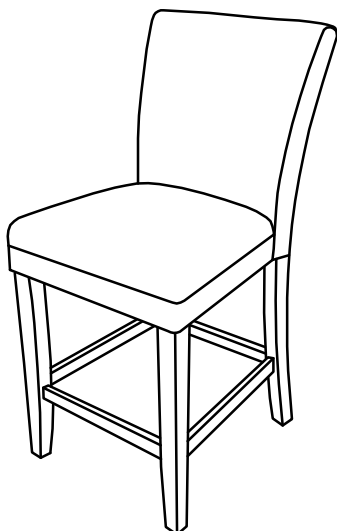


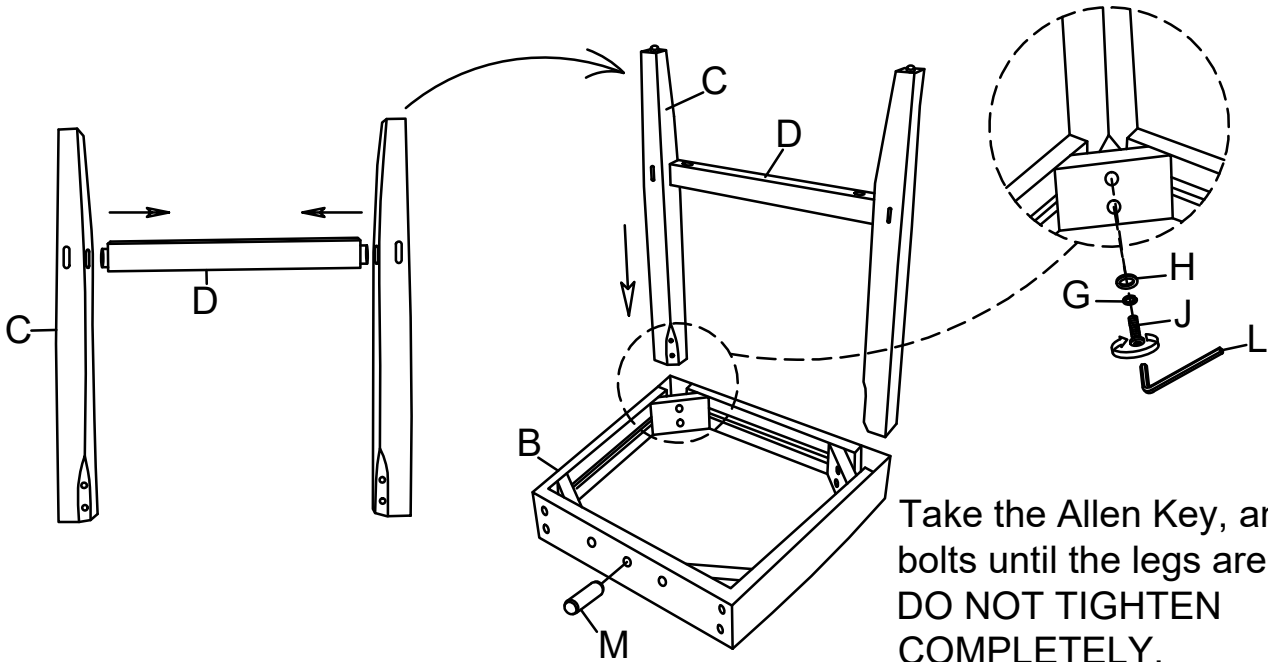
ASSEMBLY INSTRUCTION

A Chair Back 	B Seat 	C Front Leg 	D Front Stretcher 
E Left Stretcher 	F Right Stretcher 	G Lock Washer Ø5/16"x13mm 	H Flat Washer Ø5/16"x19mm 
I Bolt Ø5/16"x3-1/2" 	J Bolt Ø5/16"x2-1/2" 	K Bolt Ø5/16"x2-1/4" 	L Allen Key M5 
M Wood Dowel Ø10x30mm 	N Screw M4x1-3/4" 	O Glue 	P Screwdriver (Not Provided) 
1pc	6pcs	1pc	1pc



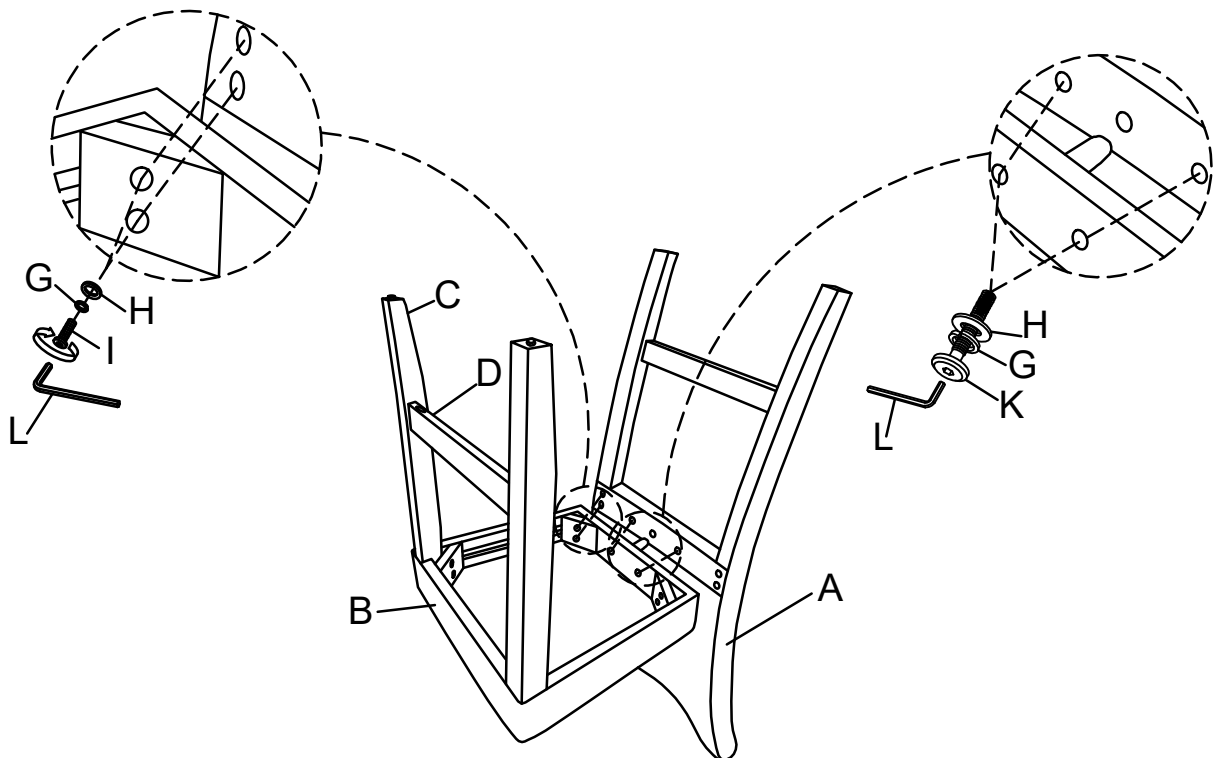
This page lists all the contents included in the box. Please take the time to identify the hardware as well as the individual components to this product. As you unpack and prepare for assembly, place the contents on a carpeted or padded area to protect them from damage.

- 1** Attach to Front Stretcher (D) to Front Leg (C), then attach Front Leg (C) to the Seat (B) using Bolt (J), Lock Washer (G) and Flat Washer (H) on both holes of Seat (B) by Allen Key (L). Turn the Allen Key (L) in Bolt (J). But not too tight. Attach Wood Dowel (M) to Seat (B).



Take the Allen Key, and turn the bolts until the legs are secure. **DO NOT TIGHTEN COMPLETELY.** Stop when you feel you are adding force to tighten the bolt.

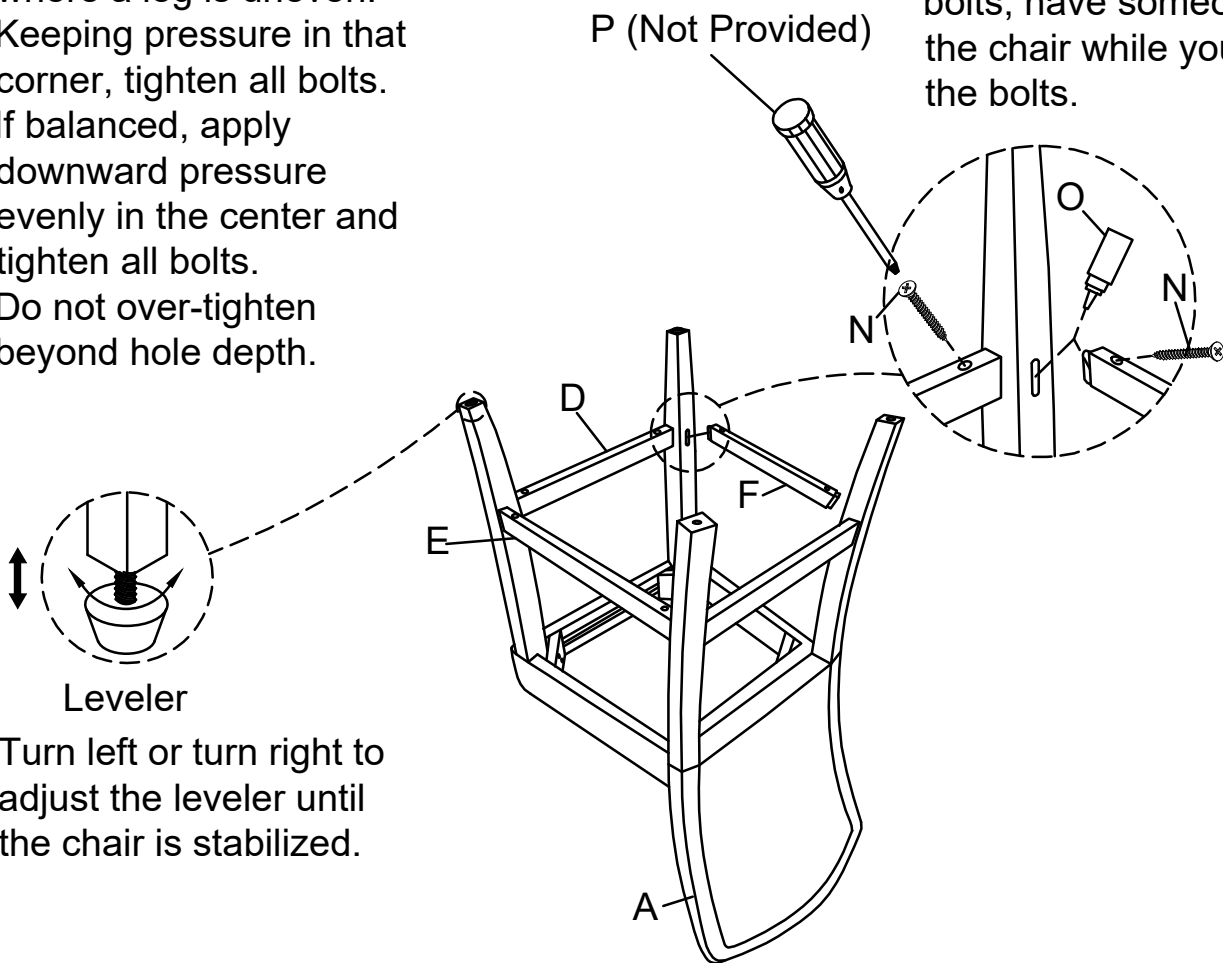
- 2** Put Chair Back (A) on a smooth flat surface, attach the Seat (B) to the Chair Back (A) using Bolt (I) & Bolt (K), Lock Washer (G), Flat Washer (H) in both holes of Seat (B) and Chair Back (A). Turn the Allen Key (L) in Bolt (I) & Bolt (K).



3 See drawing, assemble the Left Stretcher (E) and the Right Stretcher (F) using Screw (N) by Screwdriver (P), then use Glue (O) to secure all stretchers including Front Stretcher (D).

Stand chair up on an even surface and check that it is balanced. If there is a slight wobble, apply downward pressure in the corner where a leg is uneven. Keeping pressure in that corner, tighten all bolts. If balanced, apply downward pressure evenly in the center and tighten all bolts. Do not over-tighten beyond hole depth.

Helpful Tip:
-Instead of applying downward pressure while reaching under to tighten bolts, have someone sit in the chair while you tighten the bolts.



Cleaning & Care

Treat surface with care. Surface is resistant to scratches but is not scratch resistant. Clean surfaces with a dry or damp soft cloth. Do not use abrasive cleaners. Hardware may loosen over time. Periodically check that all connections are tight.