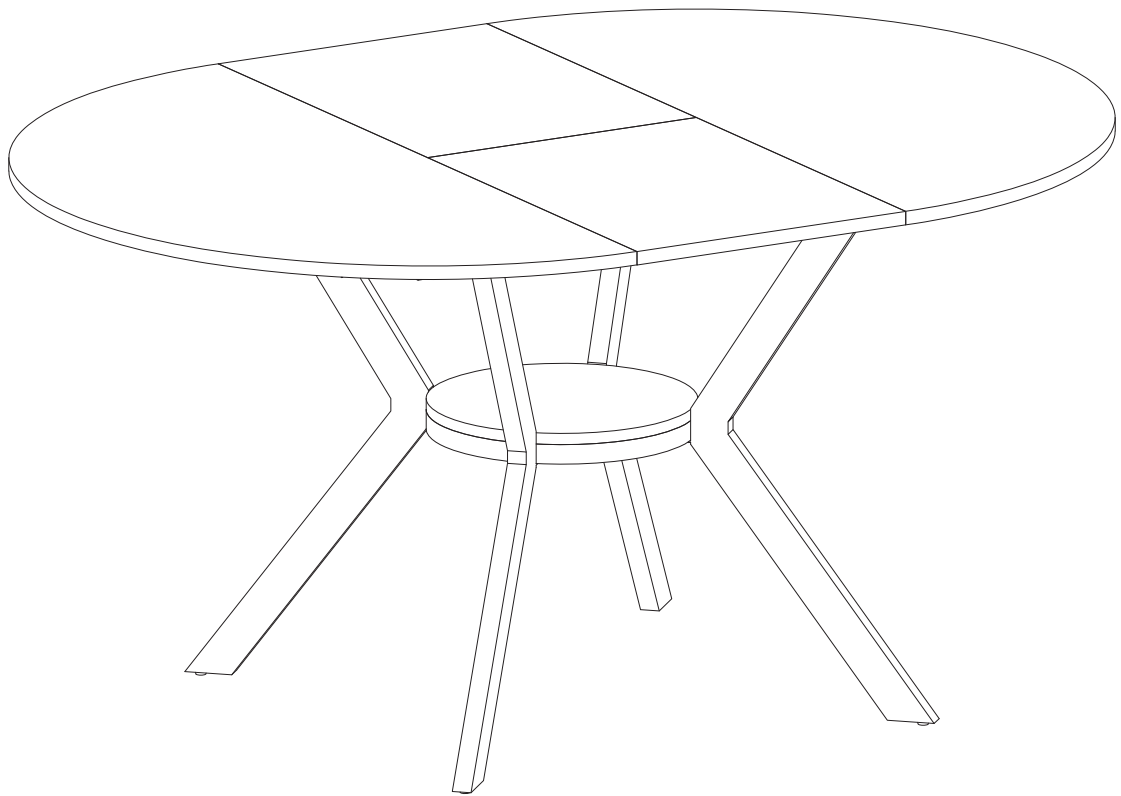


# DINING TABLE



## INTRODUCTION

Thank you for choosing the Dining Table. Please read this user manual carefully and keep it for future reference. If you need any assistance, please contact us by email with your order number and details.

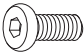
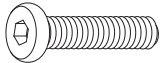
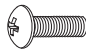

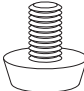
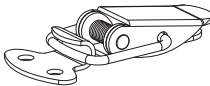
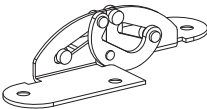

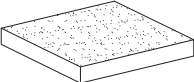
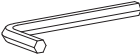

## PACKAGE CONTENTS

- 1 x Dining Table
- 1 x Pack of Accessories
- 1 x User Manual

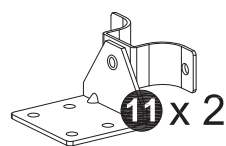
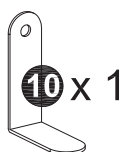
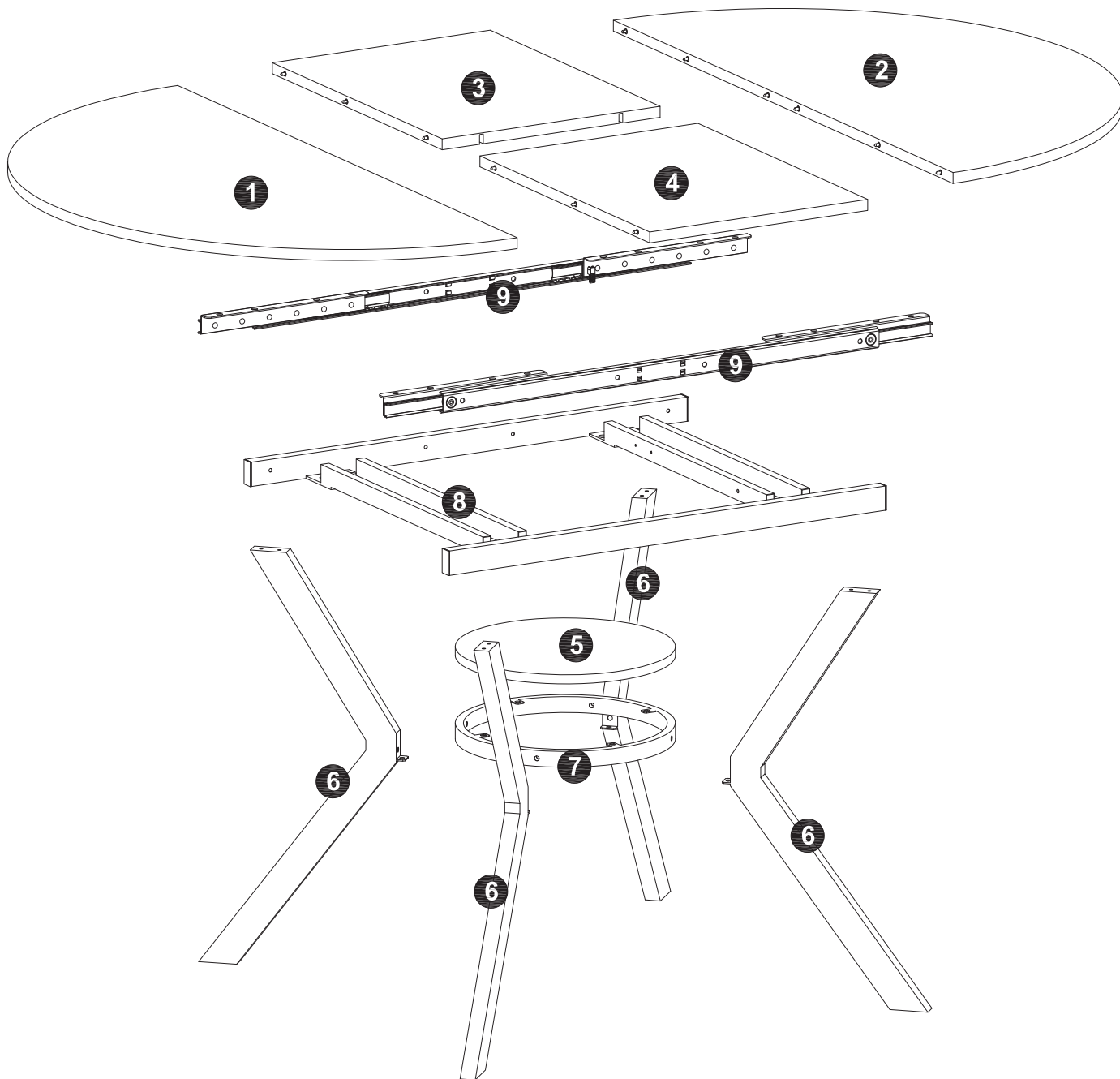
## PRODUCT CARE

- Please follow the instruction to assemble this item correctly.
- Don't make the screws be too loose or too tight.
- Please put the screws into the holes' position just as shown in the arrows of the image, and then clockwise rotate 90° or 180°.
- More product parts, it is recommended that two people install.
- The fittings pack contains small accessories that should be kept away from small children.

## HARDWARES LIST

<b>A</b> M6x12mm  x 41	<b>B</b> M8x20mm  x 4	<b>C</b> M4x12mm  x 4	<b>D</b> Ø3.5x14mm  x 32	<b>E</b> M6x12mm  x 4	<b>F</b>  x 4
<b>G</b>  x 2	<b>H</b>  x 1	<b>I</b>  x 4	<b>J</b> 4mm  x 1	<b>K</b> 5mm  x 1	

# PARTS LIST



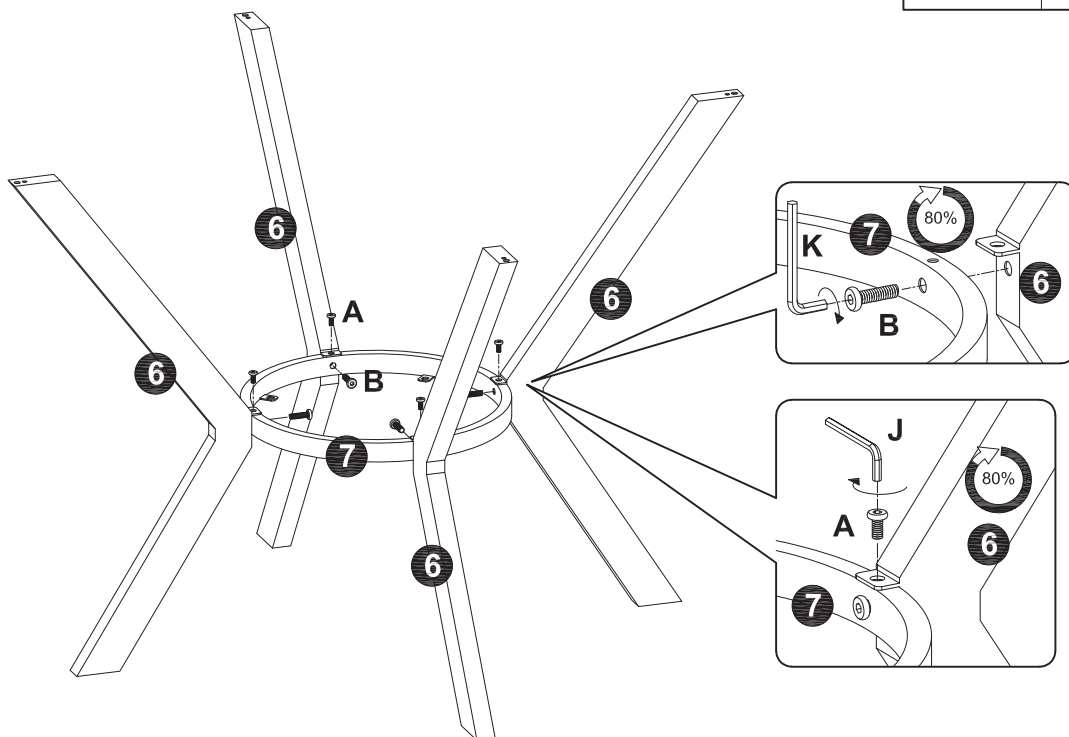
# INSTALLATION STEPS

1

YOU WILL NEED

A x 4

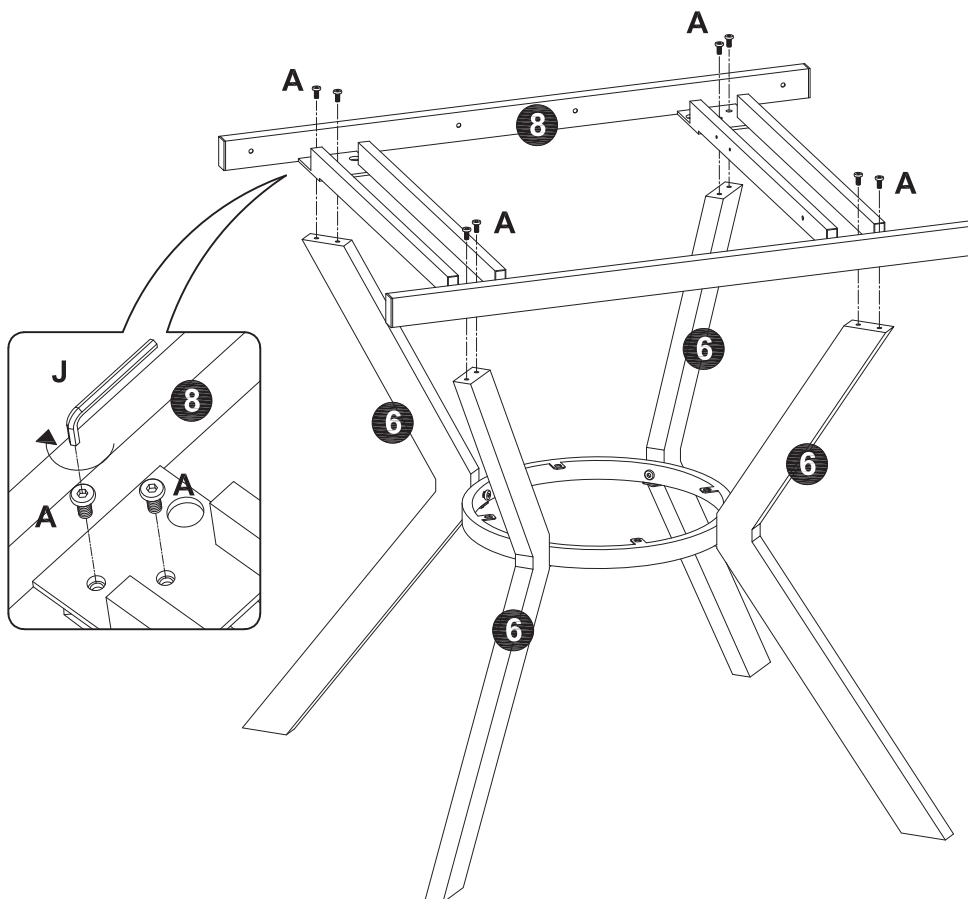
B x 4



2

YOU WILL NEED

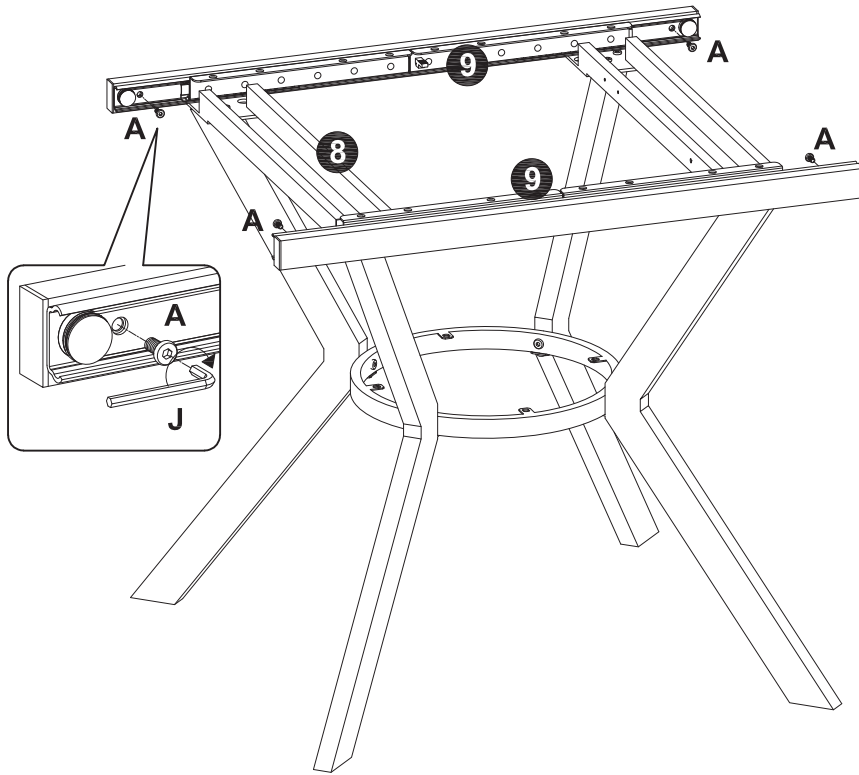
A x 8



3

YOU WILL NEED

A x 4



4

YOU WILL NEED

A x 4

