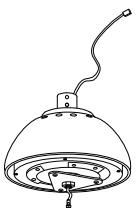
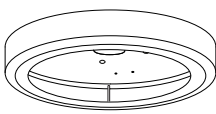
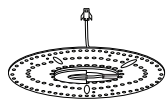



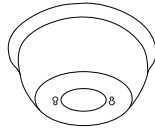
A	B	C	D
			
x 1	x 1	x 1	x 1

E



x 1

F



x 1

G



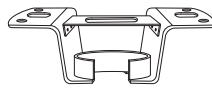
x 1

H



x 1

I



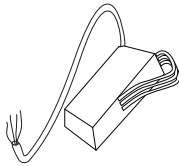
x 1

J



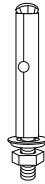
x 3

K



x 1

L



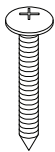
x 2

M



x 4

N



x 4

O



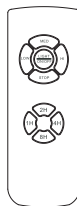
x 1

P

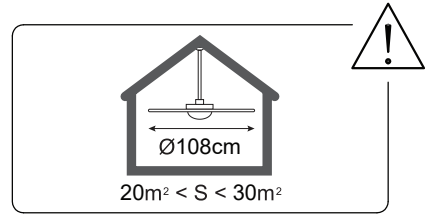
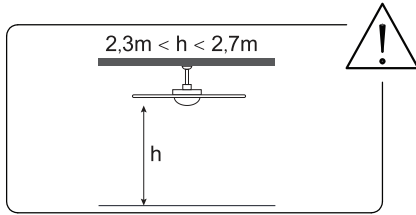
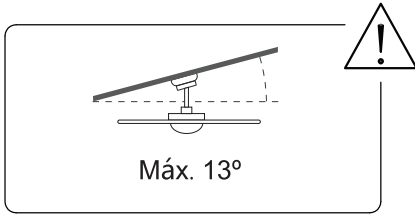
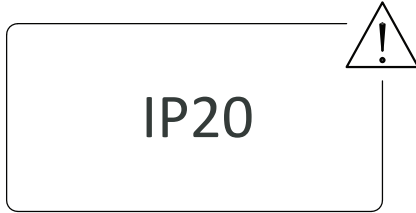
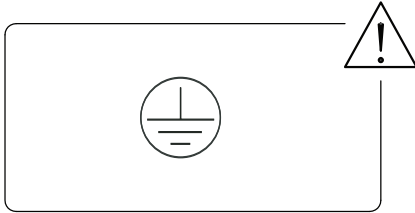
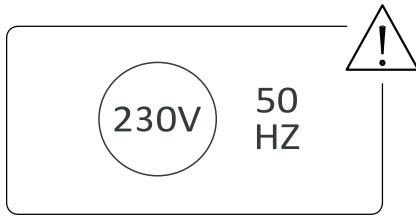


x 1

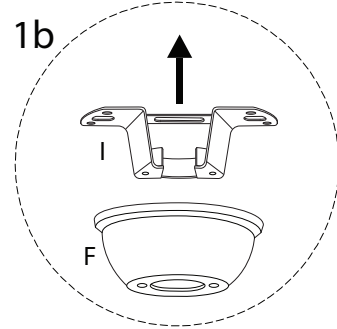
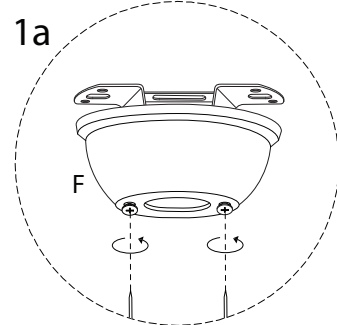
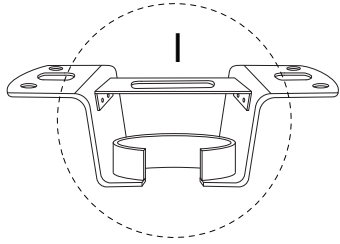
R

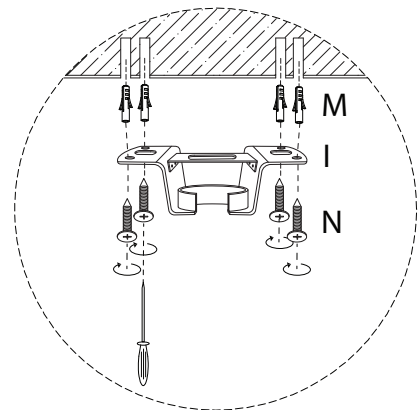
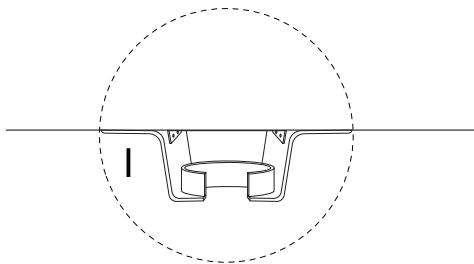
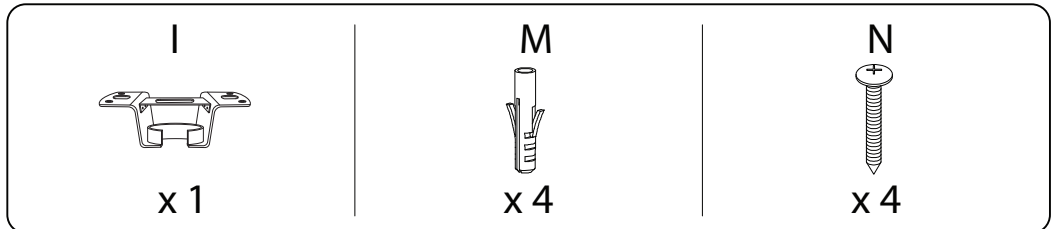
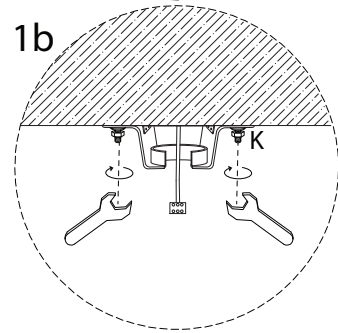
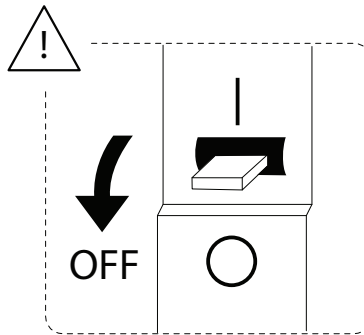
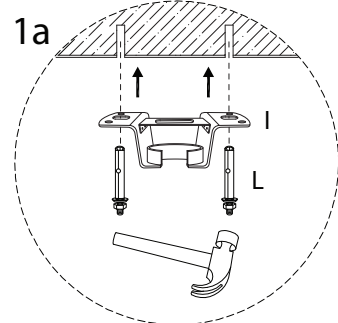
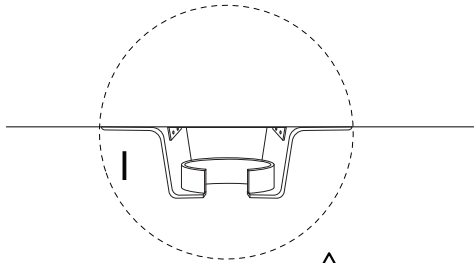
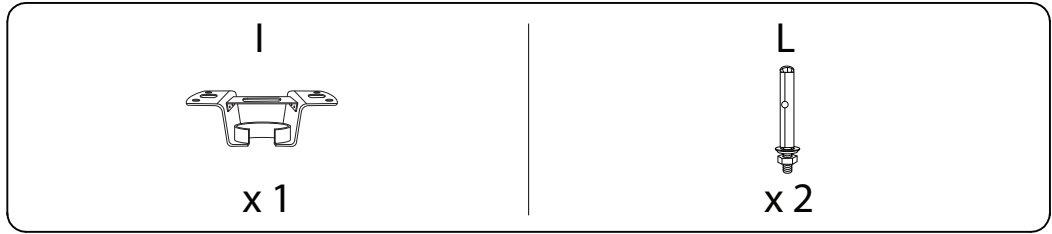


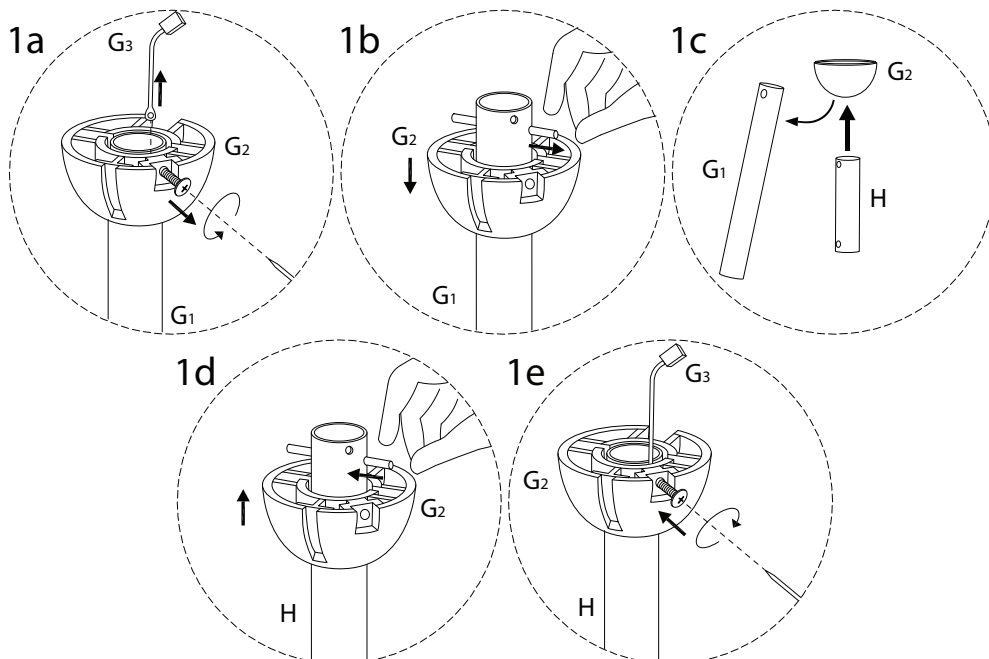
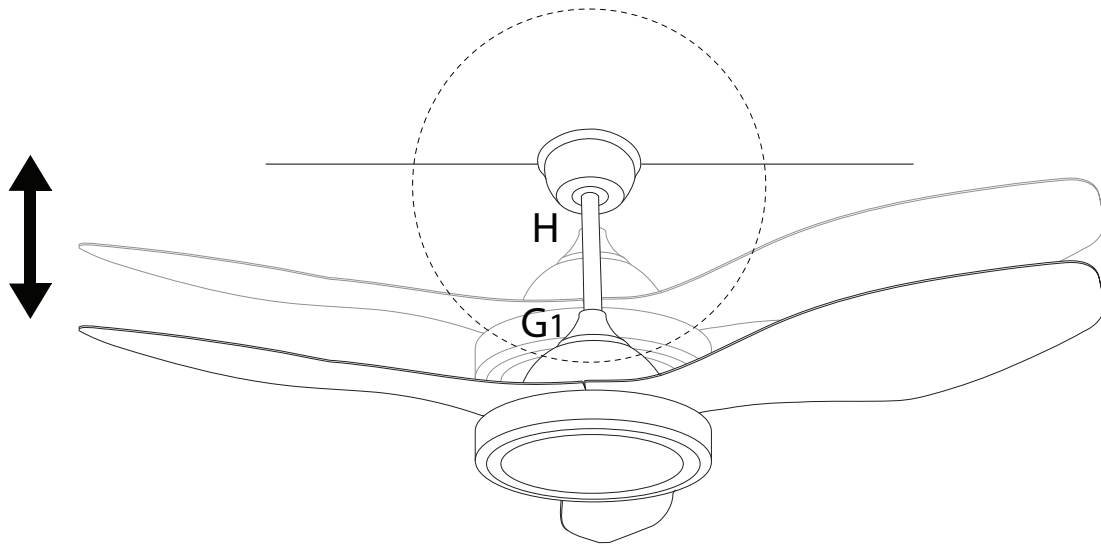
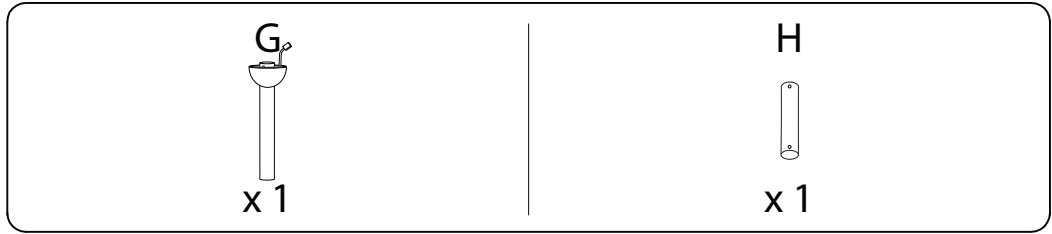
x 1



!







1

E



x1

F

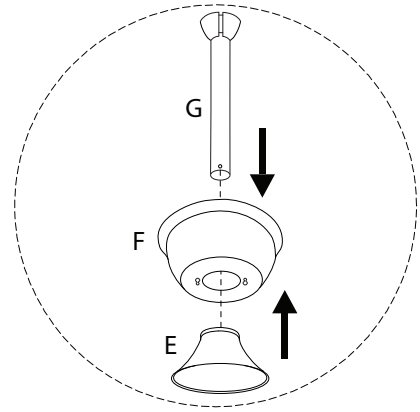
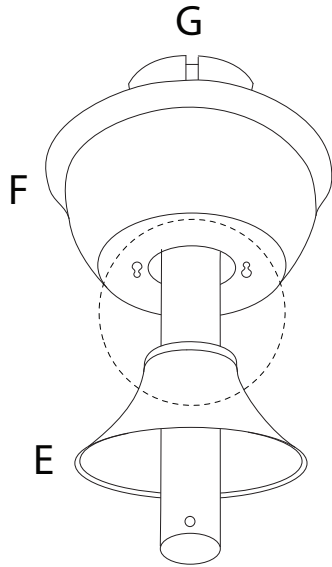


x1

G



x1

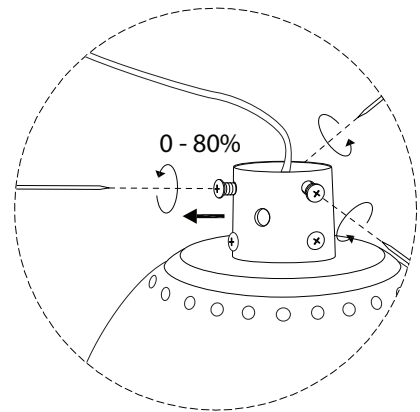
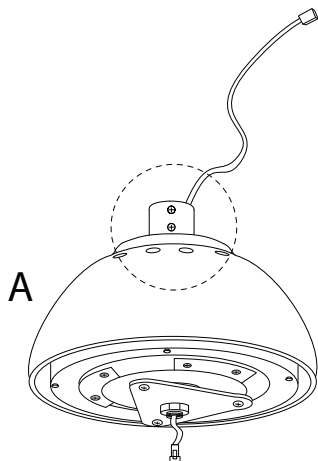


2

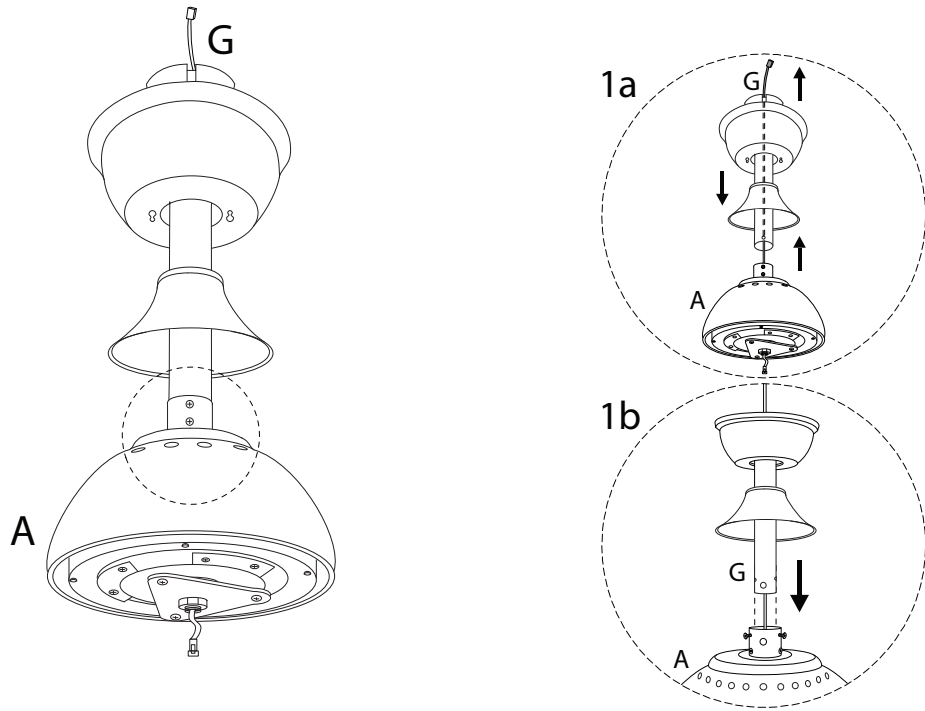
A



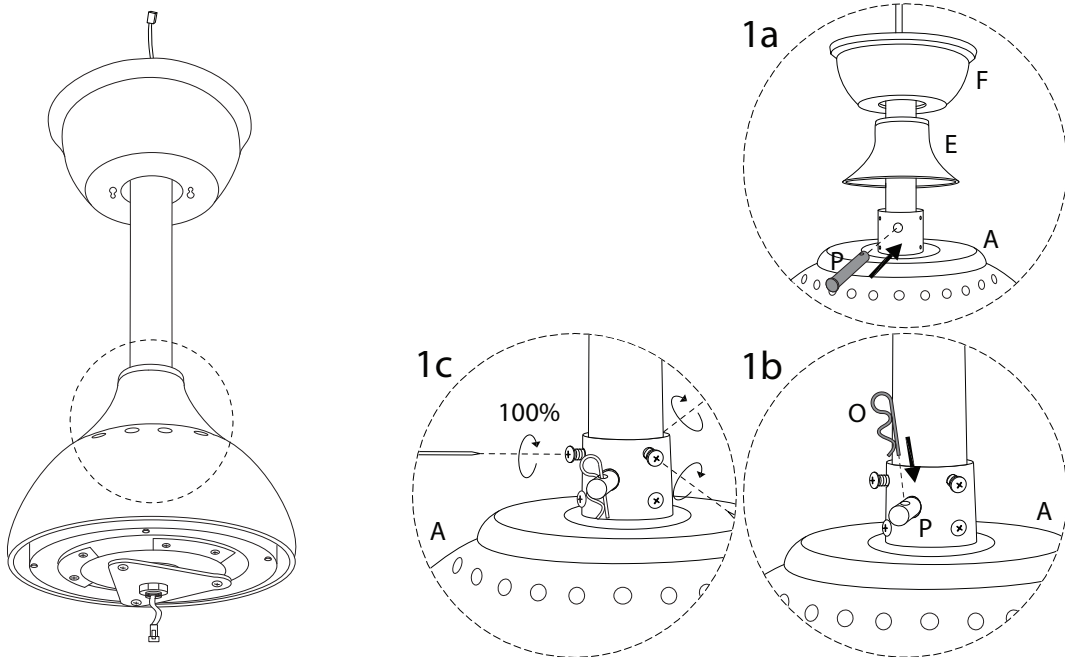
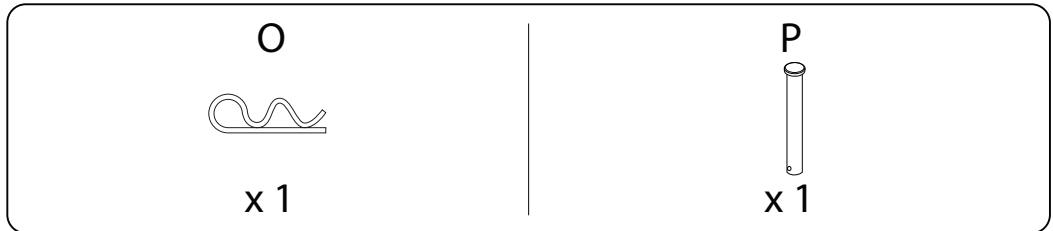
x1



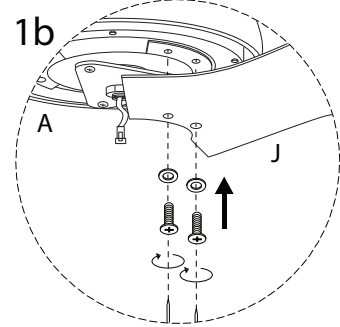
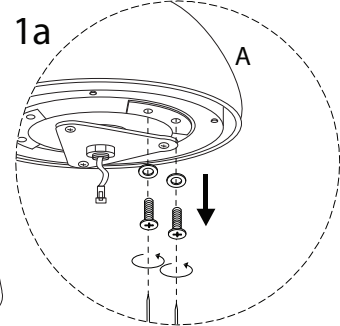
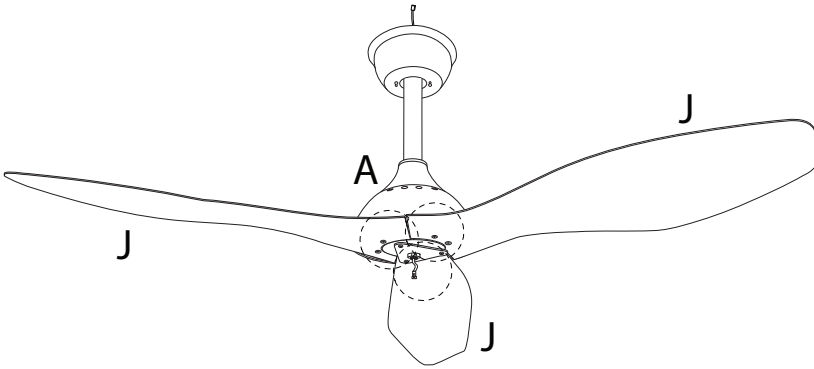
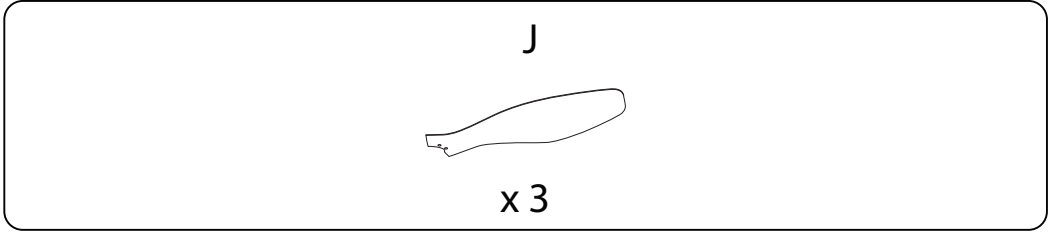
3



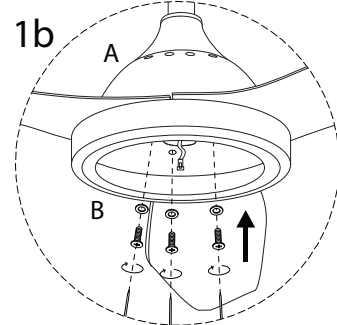
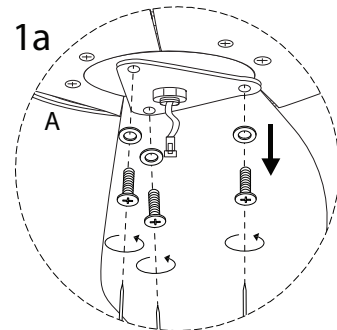
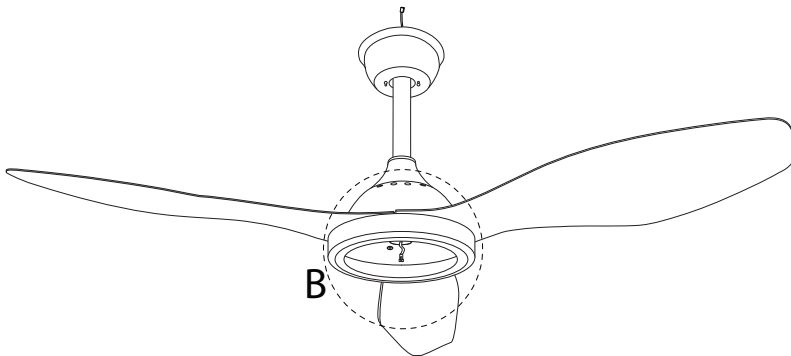
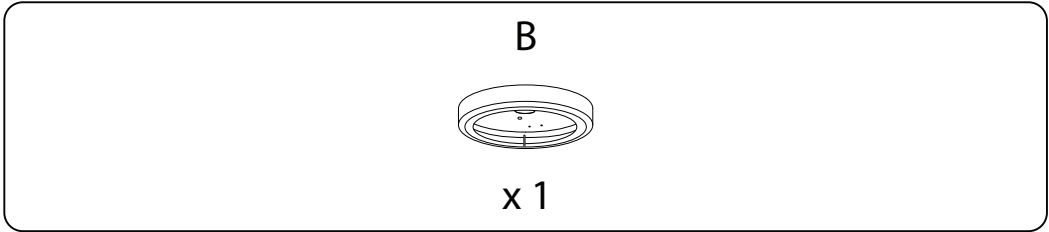
4



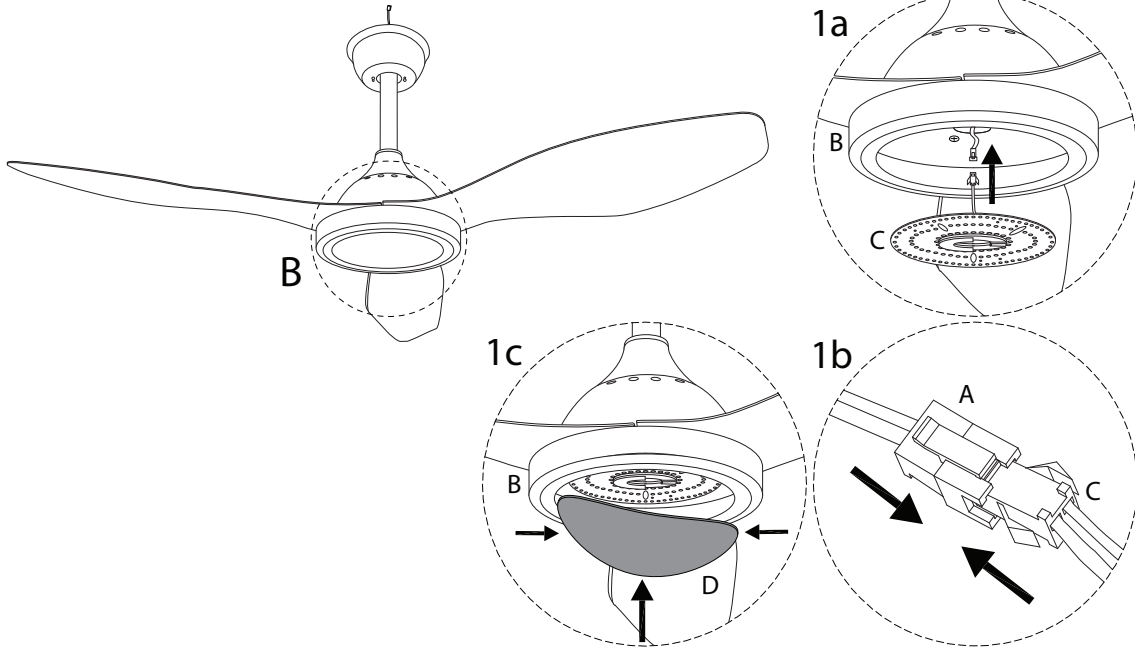
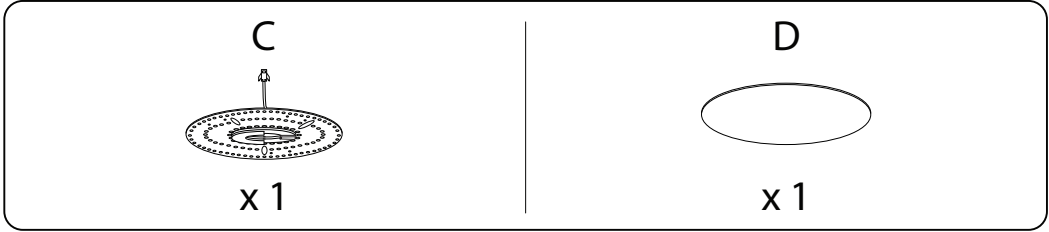
5



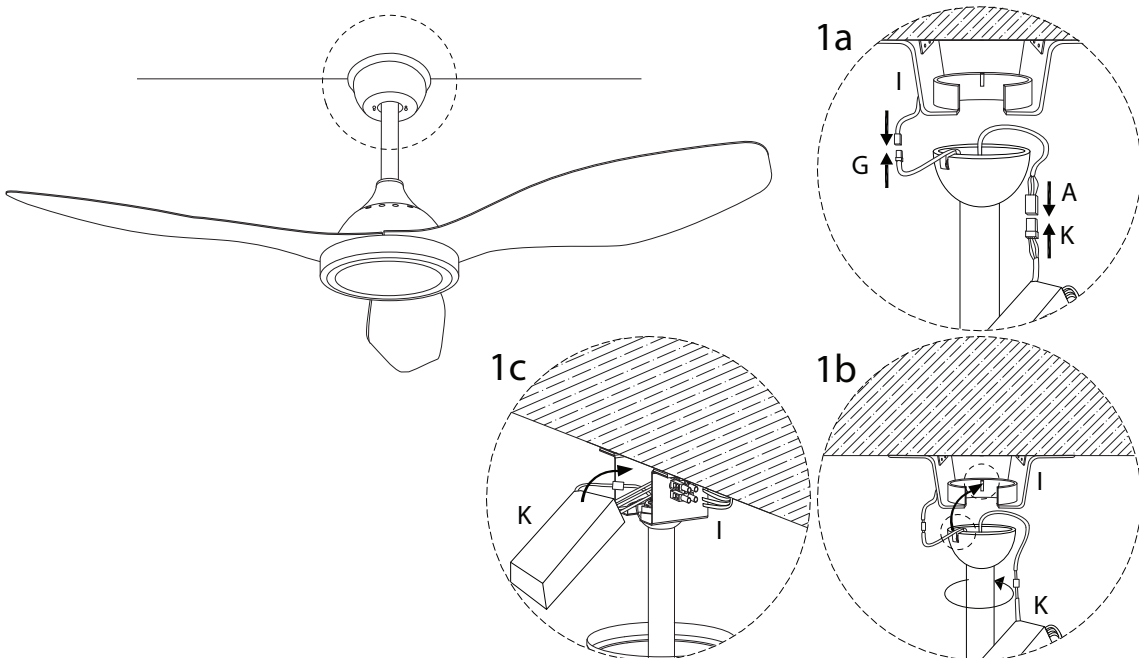
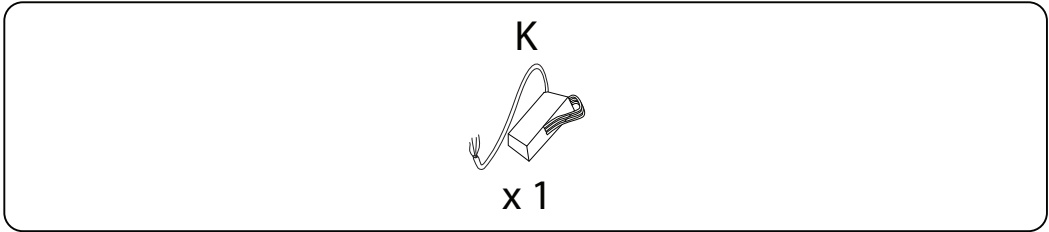
6



7



8



9

