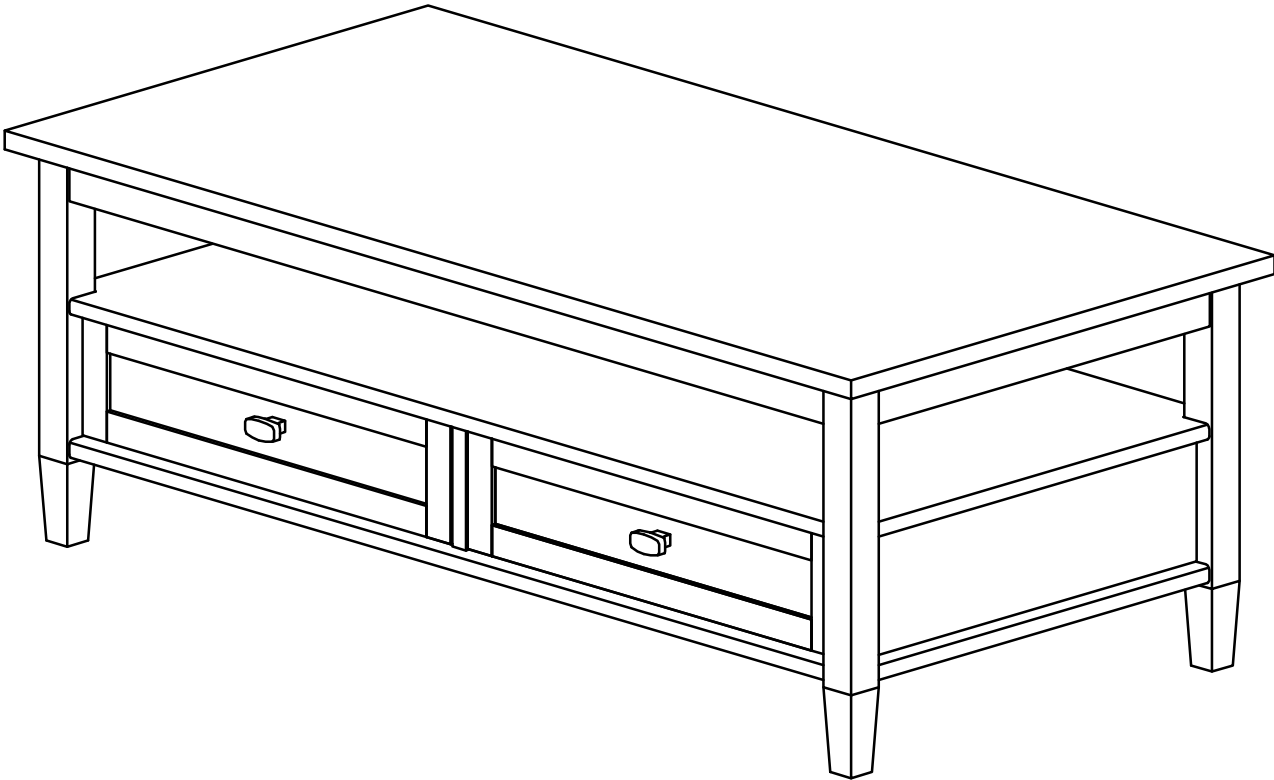


COFFEE TABLE



IMPORTANT : Please read this manual carefully before beginning assembly of this product. Keep this manual for future reference.

SAFETY INFORMATION

Identify all the parts and hardware. Do not discard of the packaging until you have checked that you have all of the parts and hardware required. Hardware package may have spare parts.

WARNING: This item contains small parts which can be swallowed by children and pets. Keep children and pets away during assembly. To avoid danger of suffocation, always keep plastic bags away from children and pets. We recommend that you assemble this unit on a carpeted floor to avoid scratches. If using power tools, set the tool to low torque to avoid damage.

May require 2 people for ease of assembly.

CARE and MAINTENANCE

To clean, use a soft or slightly damp cloth, then wipe with a clean, dry cloth. Dust with soft dry cloth.

Do not use ammonia-based cleaning products, as they will damage the finish.

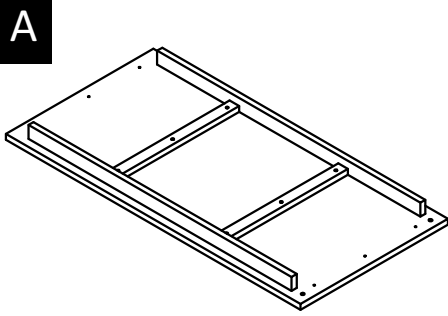
Do not leave liquids or damp cloths on this furniture.

To avoid dulling of the finish, do not place furniture in direct sunlight.

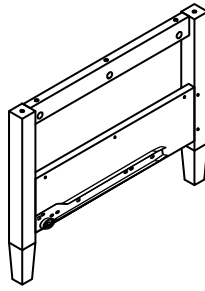
Please inspect and tighten all screws or bolts on a regular basis to ensure proper performance and safety of your item.

PRE-ASSEMBLY INFORMATION

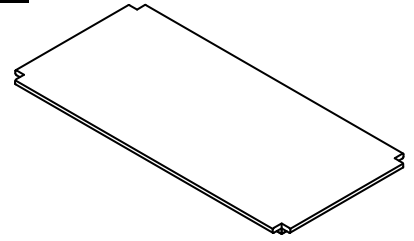
PARTS DESCRIPTION



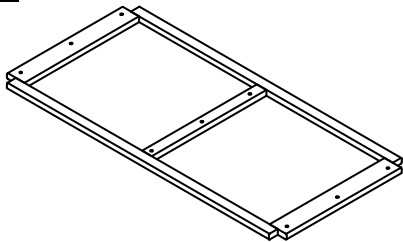
A
TOP
QTY 1



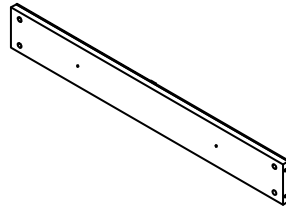
B
SIDES
QTY 1 PAIR



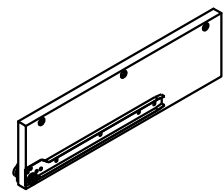
C
TOP SHELF
QTY 1



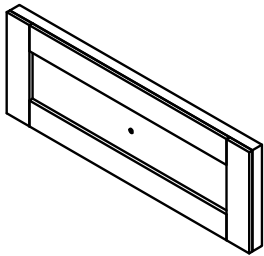
D
BOTTOM SHELF
QTY 1



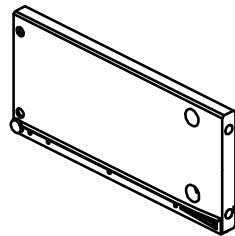
E
BACK
QTY 1



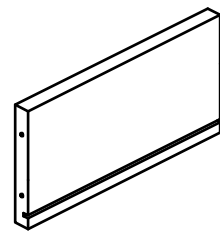
F
CENTRE DRAWER
QTY 1



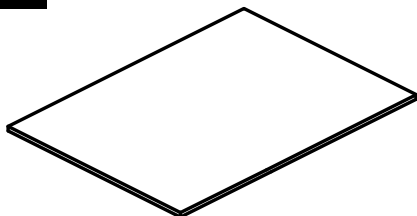
G
DRAWER FRONT
QTY 2



H
DRAWER SIDE
QTY 2 PAIRS



I
DRAWER BACK
QTY 2

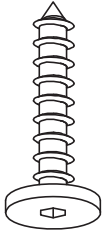


J
DRAWER BOTTOM
QTY 2

PRE-ASSEMBLY INFORMATION

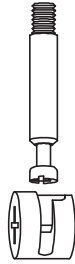
HARDWARE DESCRIPTION

1



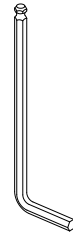
ALLEN KEY SCREW
M6 X 30 mm
QTY 26

2



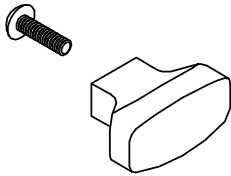
CAM LOCK PIN
CAM LOCK
QTY 18 SETS

3



ALLEN KEY
QTY 1

4

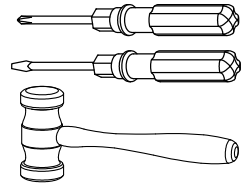


HANDLE
M4X25 mm
QTY 4 SETS

5

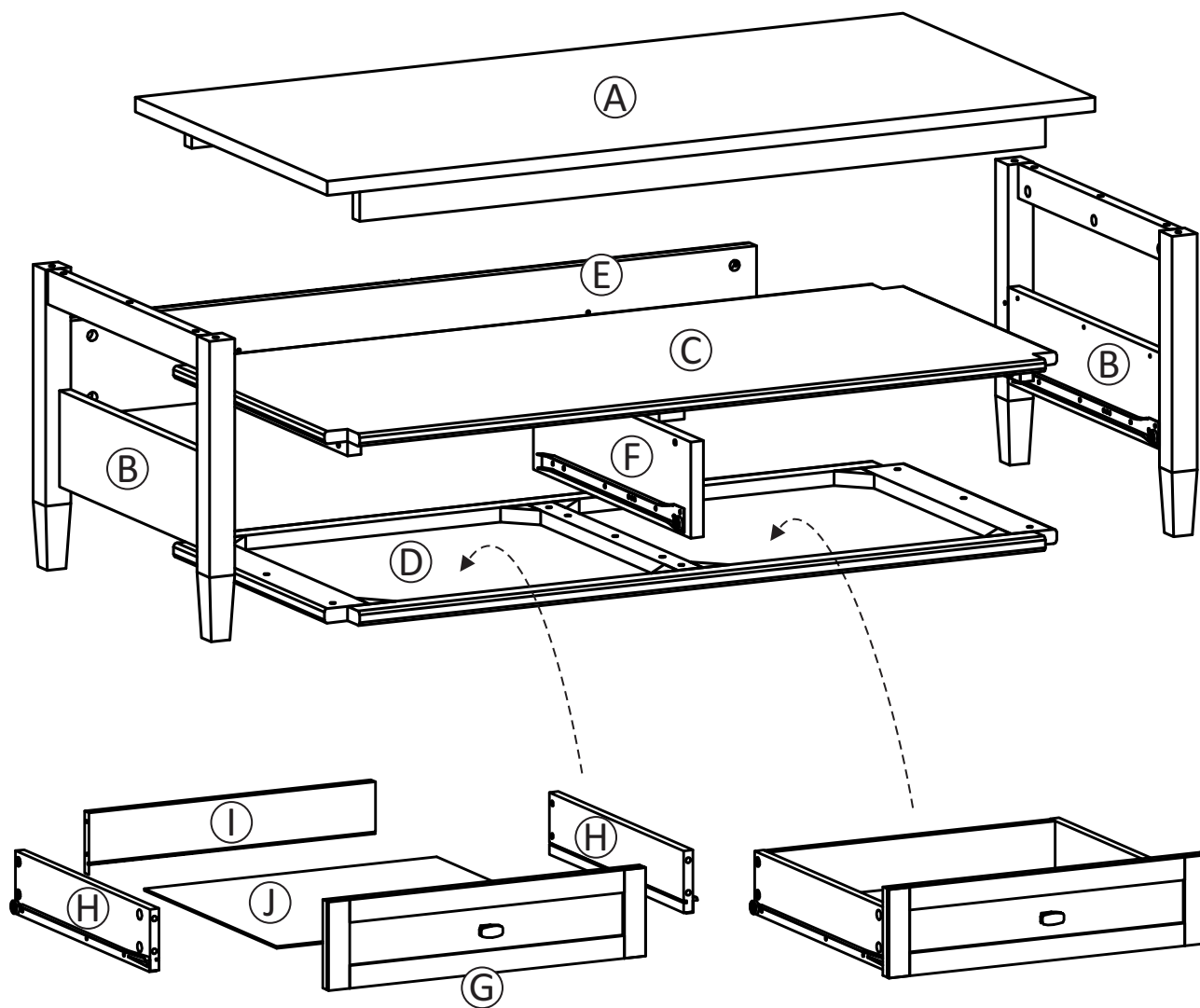


WOOD DOWEL
Ø8 X 30 mm
QTY 6



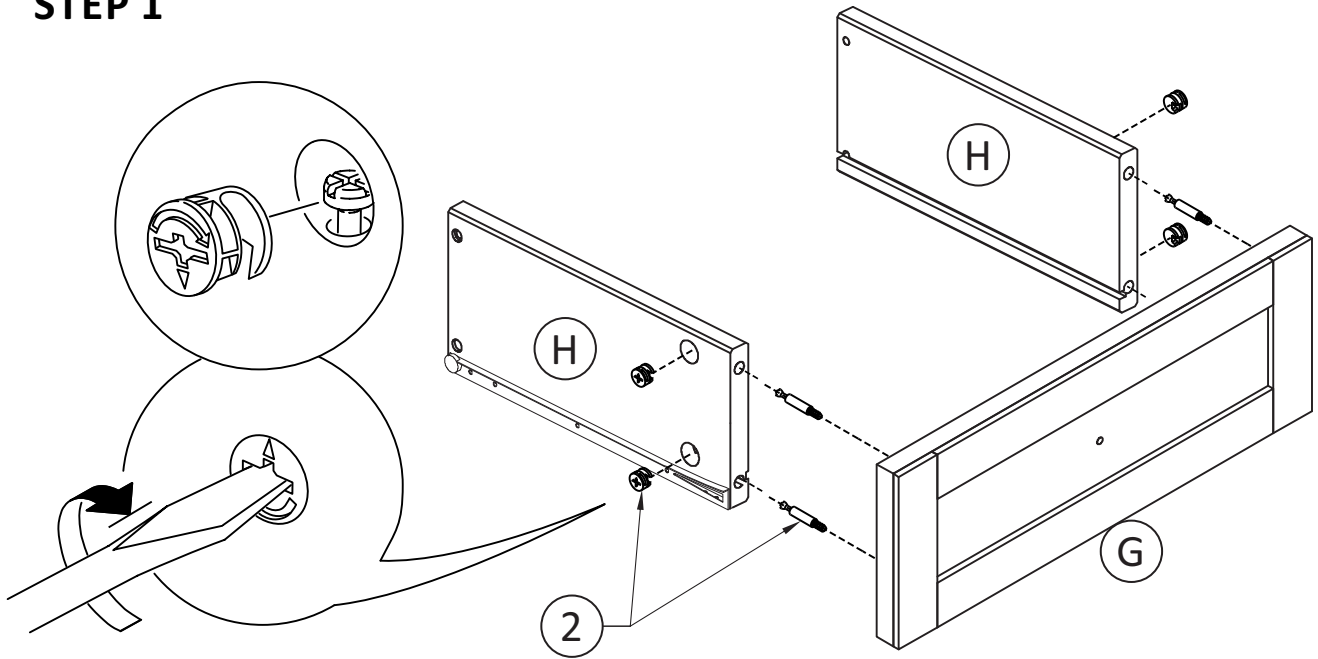
Required -
Flathead screwdriver
Phillips screwdriver
Rubber mallet
Not Included

COMPONENTS – KEY DIAGRAM



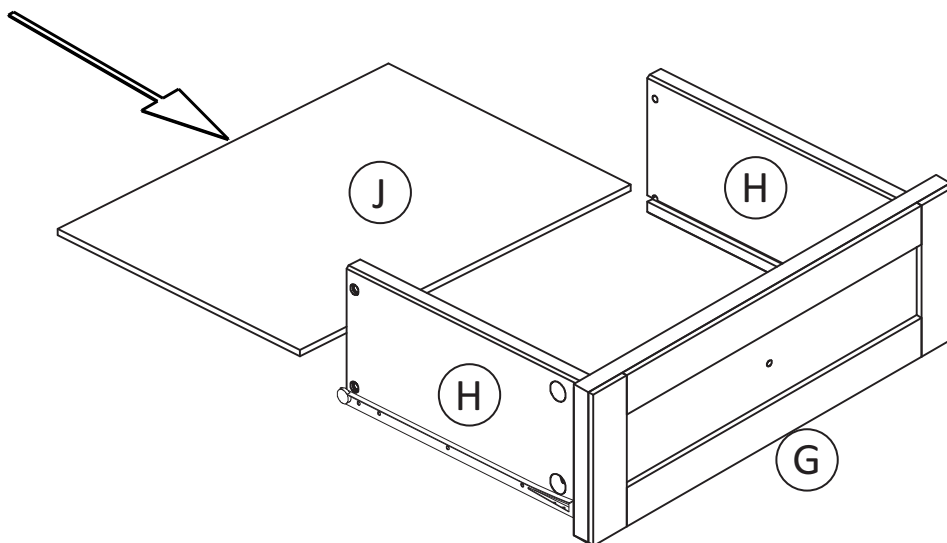
ASSEMBLY

STEP 1



1. Attach 4 Cam Lock Pins (2) to back of Drawer Front (G).
2. Align Cam Lock Pins with pre-drilled holes and attach Drawer Sides (H).
3. Insert 2 Cam Lock (2) into pre-drilled holes on each Drawer Side (H).
4. Use flathead screwdriver to secure Cam Locks.

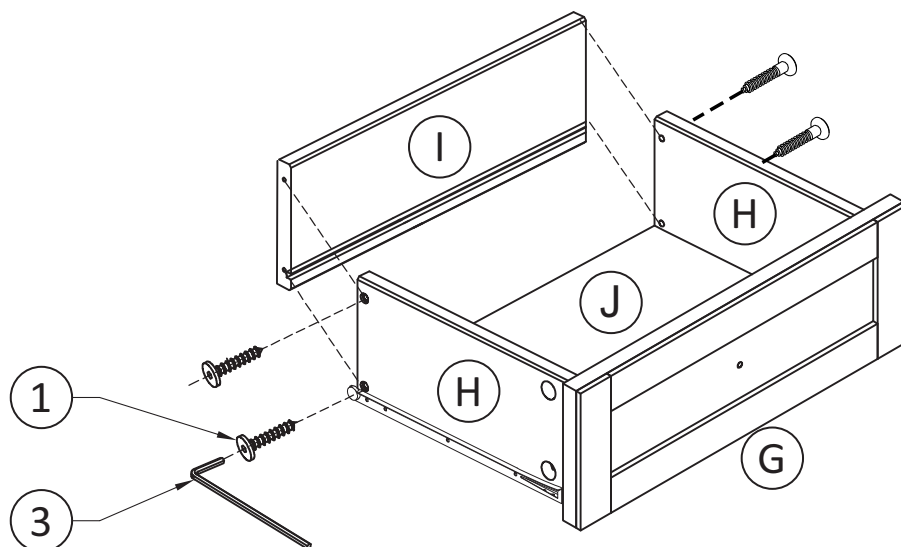
STEP 2



1. Slide Drawer Bottom (J) firmly into slots on Drawer Sides (H) and Drawer Front (G).

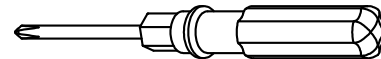
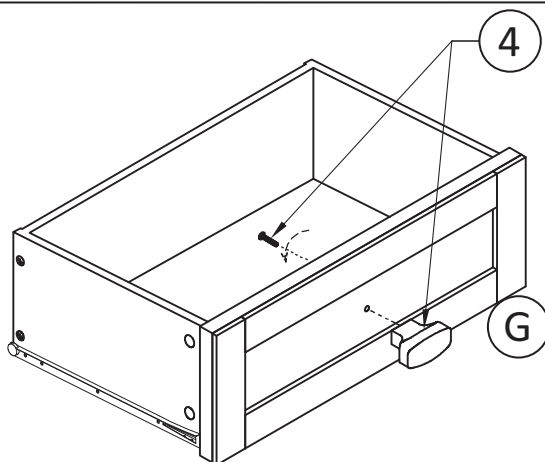
ASSEMBLY

STEP 3



1. Align Drawer Back (I) with Drawer Bottom (J) and press firmly into slot .
2. Attach back using 2 Allen Key Screws (1) through pre-drilled holes on each side.
3. Use Allen key (3) to tighten. Do not over tighten.

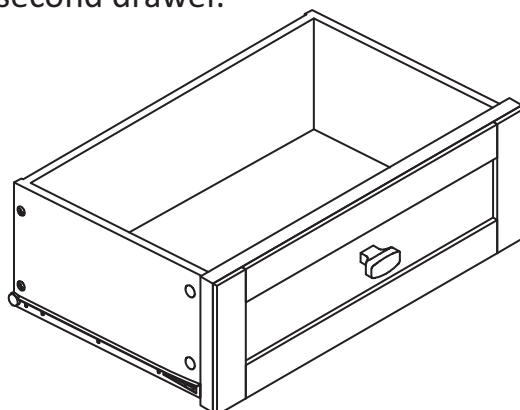
STEP 4



NOTE: The screwdriver is not included in the hardware pack.

1. Use Phillips Screwdriver to attach Handle (4) to Drawer Front (G) .

Repeat Step 1-4 for the second drawer.

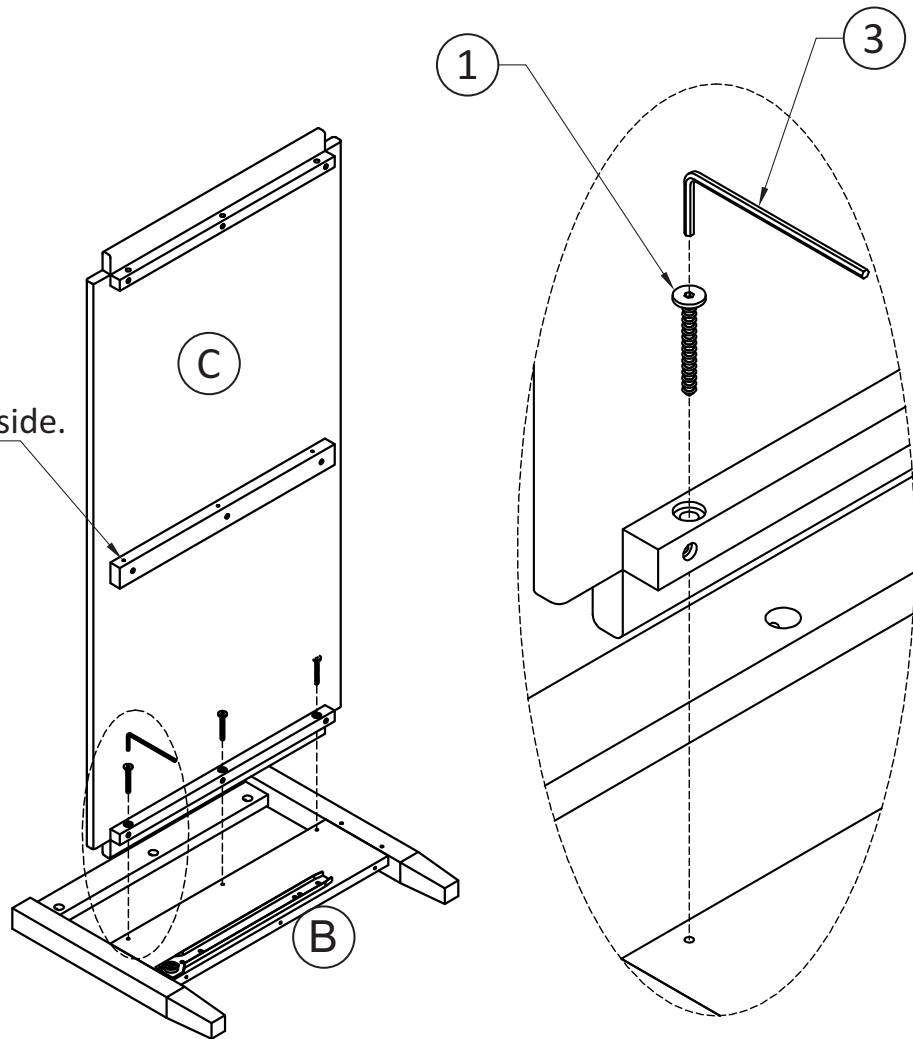


ASSEMBLY

STEP 5

NOTE:

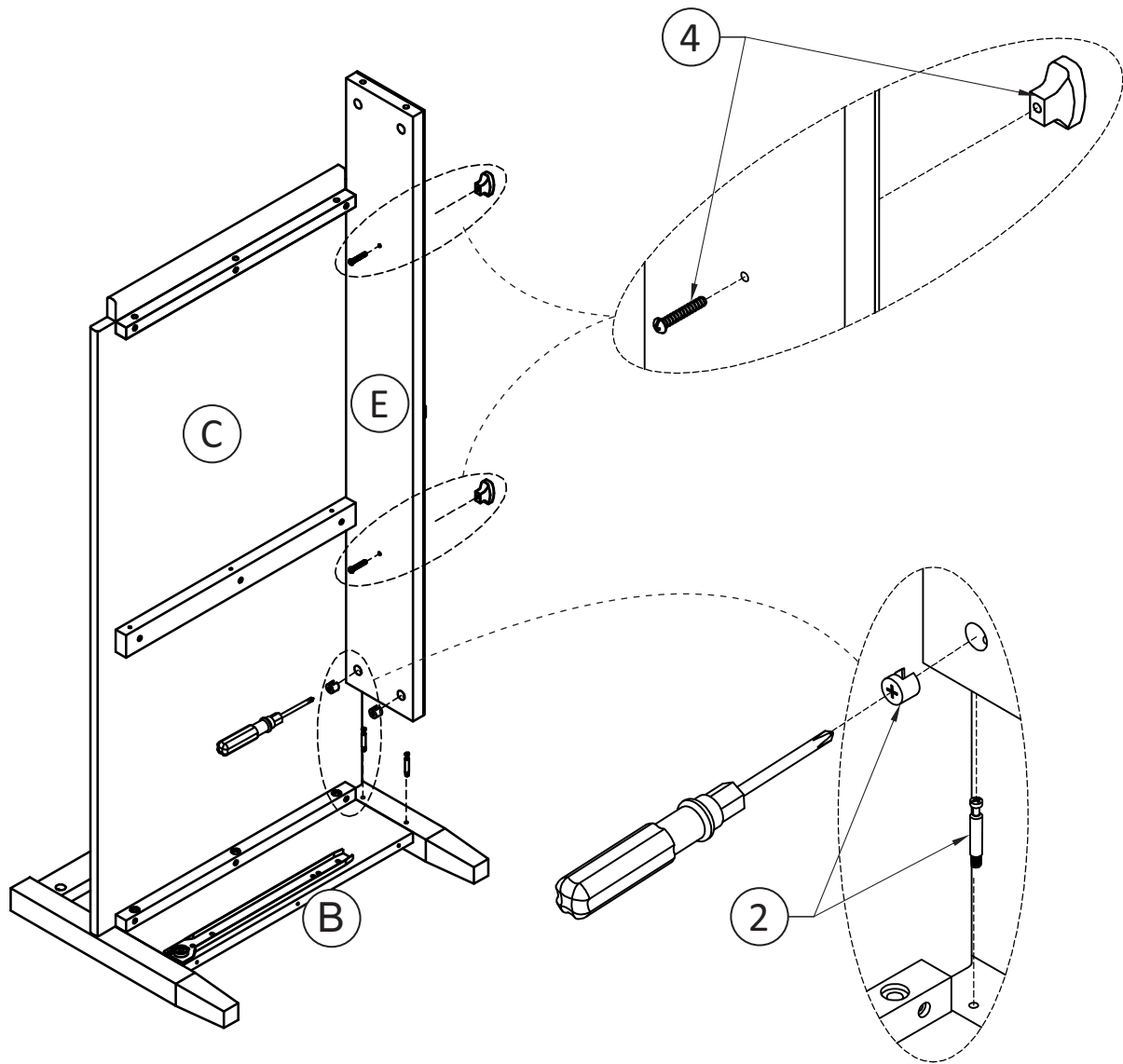
Holes are on the right side.



1. Attach Top Shelf (C) to one Side (B) using Allen Key Screws (1) through pre-drilled holes.

ASSEMBLY

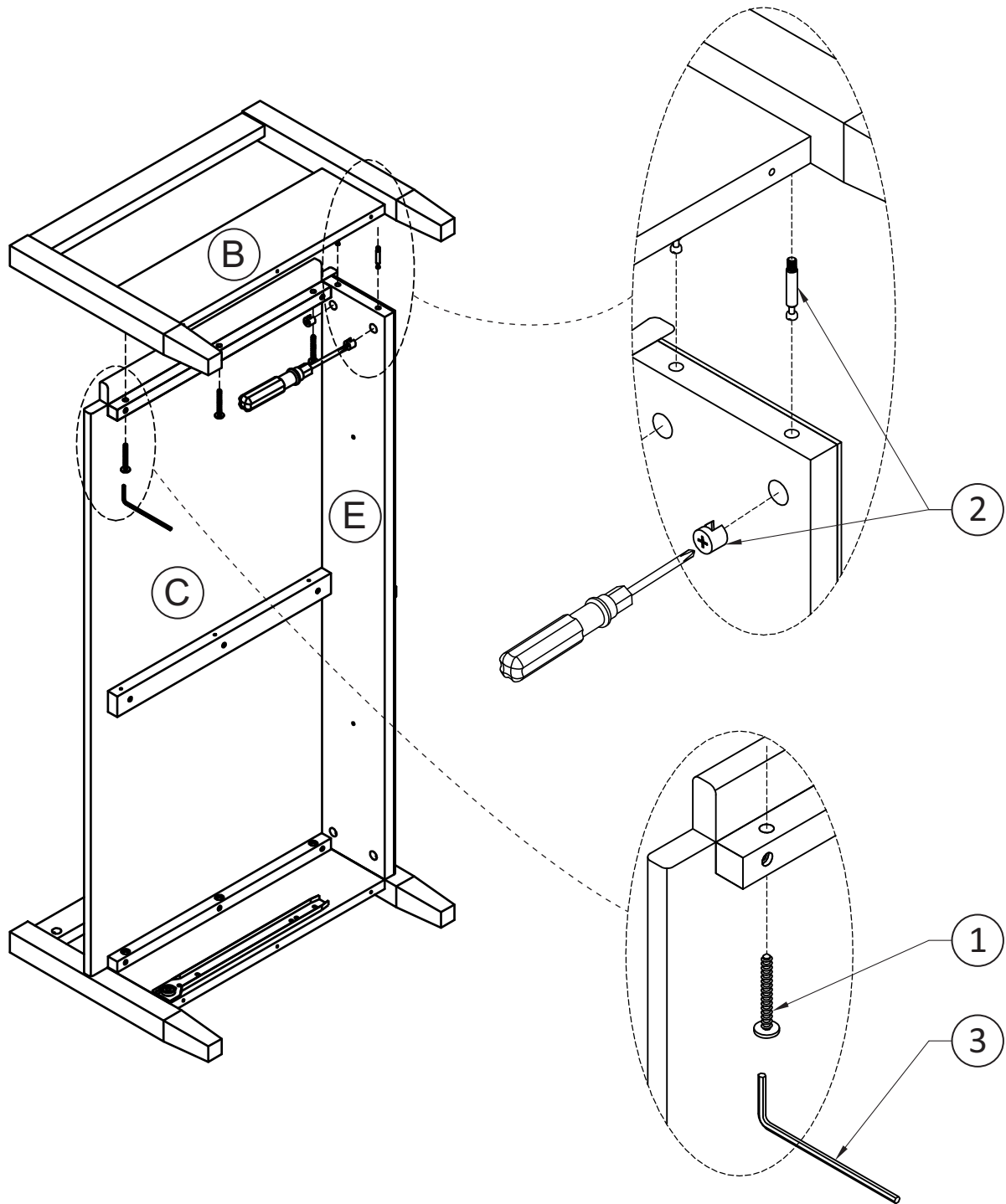
STEP 6



1. Attach 2 Cam Lock Pins (2) to one Side (B) using guide holes.
2. Align and insert Cam lock Pins on Side (B) into pre-drilled holes on Back (E).
3. Using a flathead screwdriver tighten Cam Locks into Pins.
4. Use Phillips screwdriver to attach Handle (4) to Back (E).

ASSEMBLY

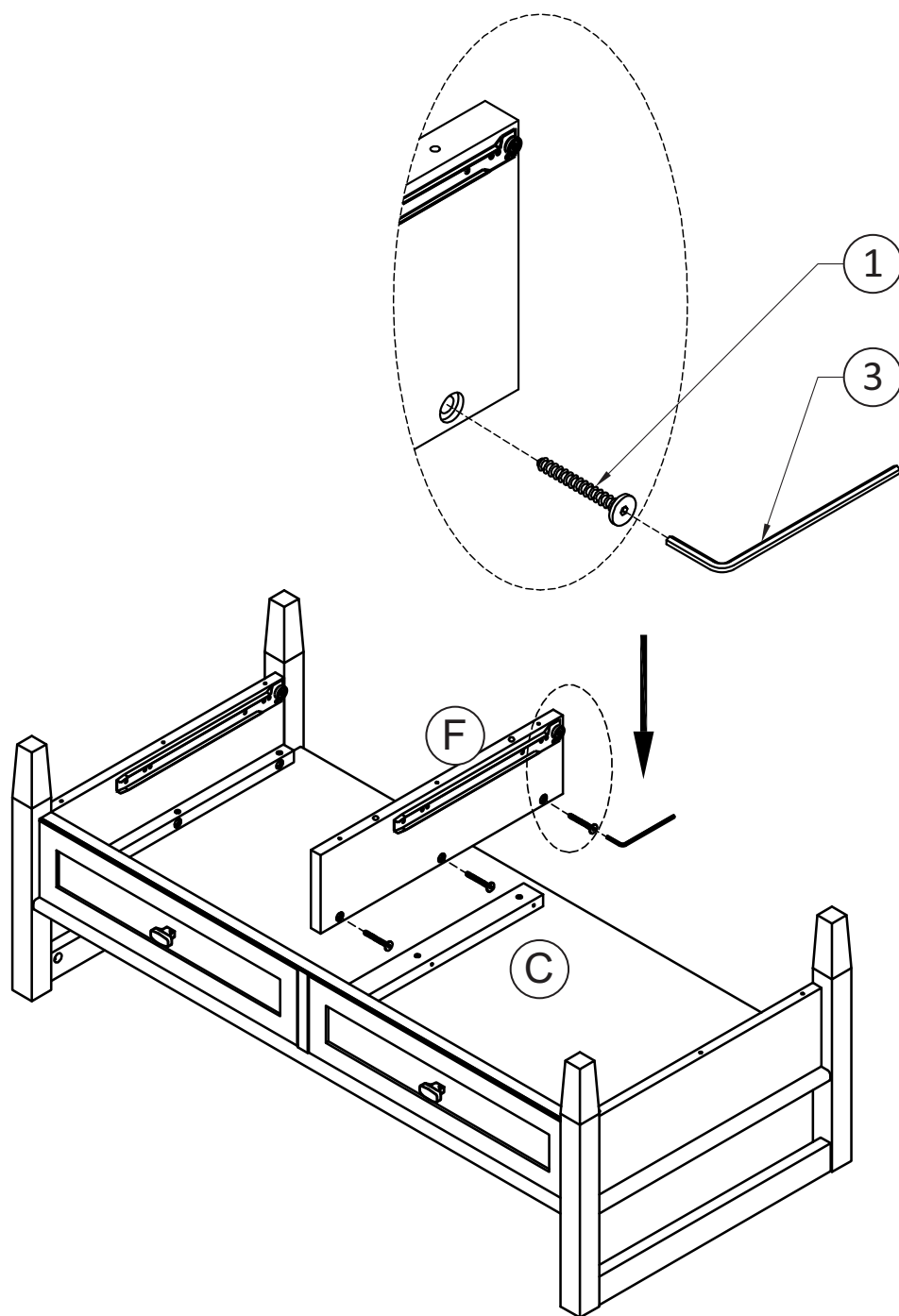
STEP 7



1. To attach opposite Side (B) to Top Shelf (C) and Back (E), repeat steps 5 - 6.

ASSEMBLY

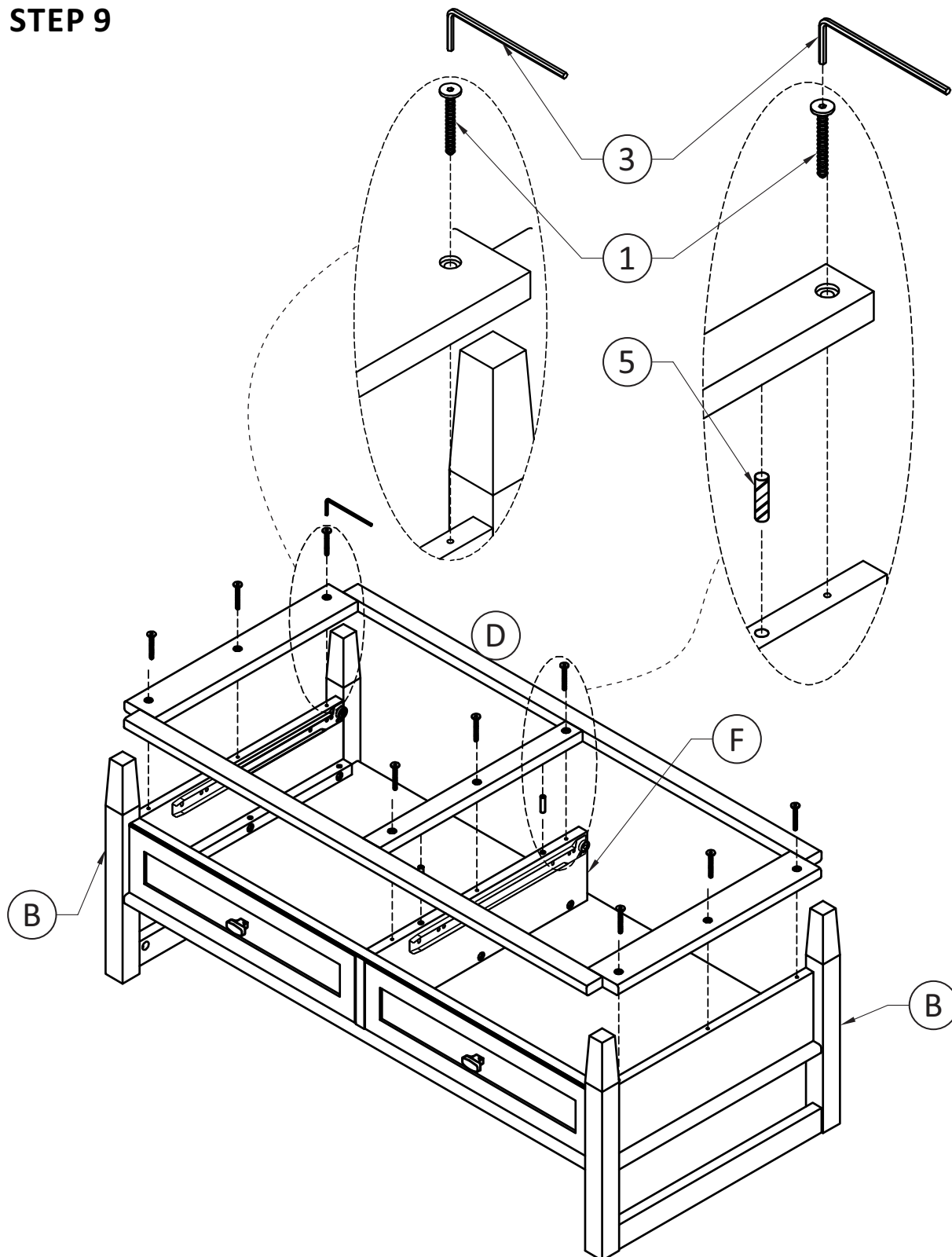
STEP 8



1. Attach Centre Drawer (F) to Top Shelf (C) using Allen Key Screws (1) through pre-drilled holes.

ASSEMBLY

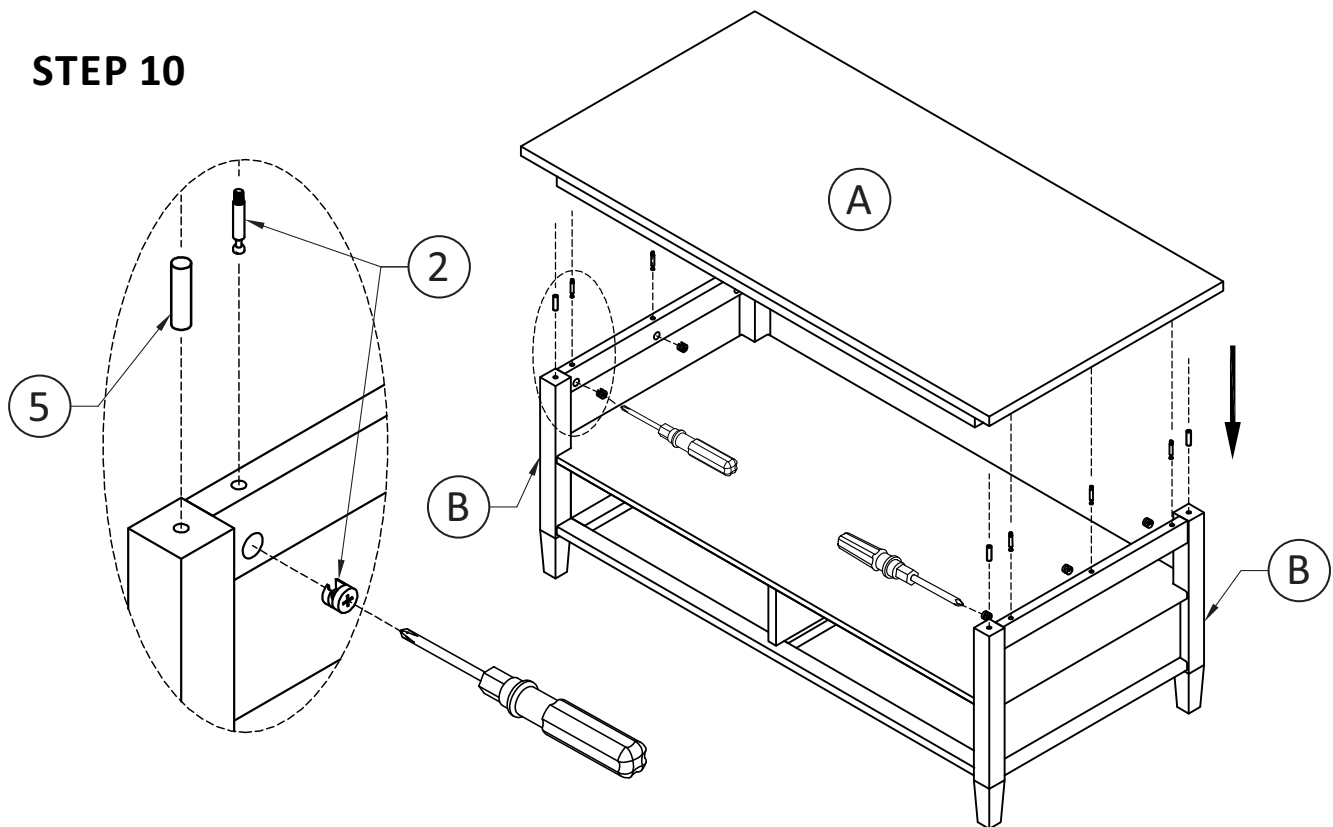
STEP 9



1. Insert 2 Dowels (5) into pre-drilled holes on the Centre Drawer (F).
2. Use rubber mallet to tap Dowels (5) into bottom of holes securely. 1/2 length of Dowels should be exposed.
3. Attach Bottom Shelf (D) to Sides (B) and Centre Drawer (F) using Allen Key Screws (1) through pre-drilled holes.

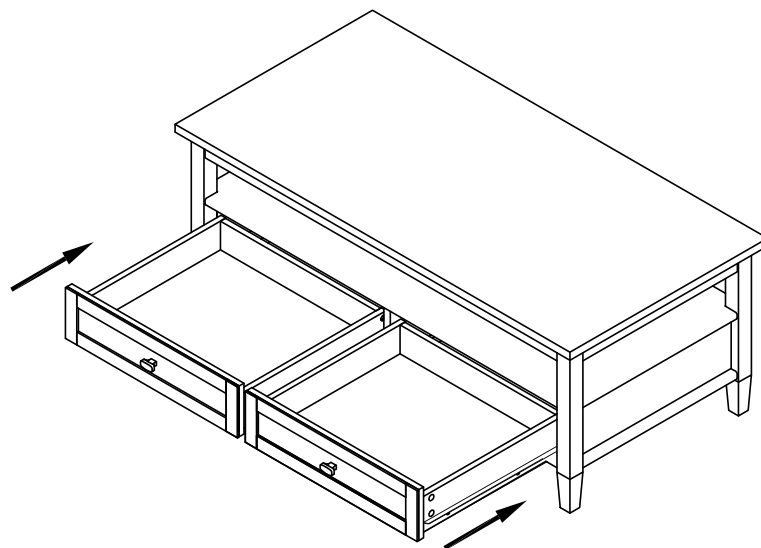
ASSEMBLY

STEP 10



1. Insert Dowels (5) into each corner of Side (B).
2. Use rubber mallet to tap Dowels (5) into bottom of holes securely. 1/2 length of Dowels should be exposed.
3. Attach 6 Cam Lock Pins (2) to bottom of Top (A).
4. Align and insert Cam Lock Pins on Top (A) into pre-drilled holes on Sides (B).
5. Using a flathead screwdriver tighten Cam Locks into Pins.

STEP 11



1. Insert assembled drawer into glides on assembled table.
2. Drawers can be inserted into either side of table opening.

WARRANTY

Thank you for purchasing **our** product. These products have been made to demanding, high-quality standards and are guaranteed for domestic use against manufacturing faults for a period of 12 months from the date of purchase. This warranty does not affect your statutory rights.

This product is guaranteed for 12 months if used for normal purposes. Any warranty is invalid if the product has been overloaded or subject to neglect, improper use or an attempted repair by other than an authorized agent. Heavy-duty or daily professional/commercial usage are not guaranteed.

Due to continuous product improvement, we reserve the right to change the product specifications without prior notice.