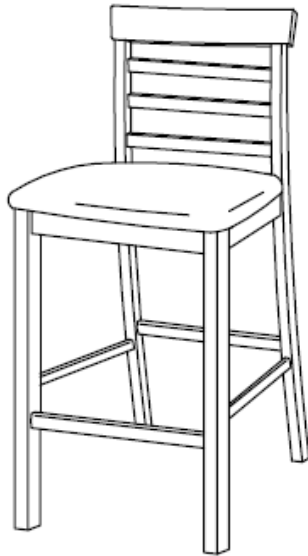


ASSEMBLY GUIDE



Important - Please read these instructions fully before starting assembly



**SAFETY AND
CARE ADVICE**



NO POWER TOOLS

SAFETY AND CARE ADVICE

- Check you have all the components and tools listed.
- Remove all fittings from the plastic bags and separate them into their groups.
- We do not recommend the use of power drills/drivers for inserting screws, as this could damage the unit. Only use hand screwdrivers and Allen keys.
- Keep children and animals away from the work area, small parts could cause choking if swallowed.
- Make sure you have enough space to layout the parts before starting.
- Assemble the item as close to its final position (in the same room) as possible.
- Do not overtighten the nuts to avoid causing damage to the threads.
- Only clean using a damp cloth and mild detergent, do not use bleach or abrasive cleaners.
- From time to time check that there are no loose screws on this unit
- This product should not be discarded with household waste. Take to your local authority waste disposal centre

IMPORTANT INFORMATION



30 MINUTE
BUILD



ONE
PERSON





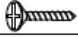


MAXIMUM
CAPACITY
120Kg

PLEASE CHECK CAREFULLY AND MAKE SURE YOU HAVE ALL FITTINGS AND TOOLS LISTED BELOW BEFORE YOU START.

LIST OF PARTS

No	Description	Qty
1	Chair Back	2
2	Front Leg	2
3	Apron	4
4	Chair Seat	2
5	Strethter	4

LIST OF HARDWARE

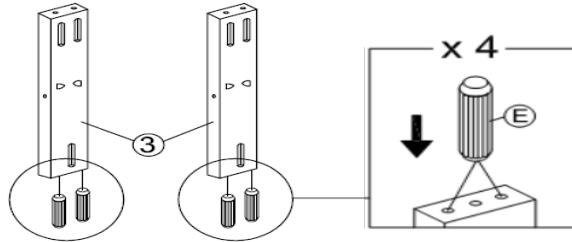
No	Description	Qty
A	JCBC Bolt 	12
B	Spring Washer 	12
C	Wood Screw 	14
D	Allen Key 	1
E	Wood Dowel 	8

NOTE: The quantities above are the correct amount to complete 2 bar chairs. In some cases more fittings may be supplied than are required.

STEP 1

Use a clean, flat, soft surface to avoid any bumps or scratches.

First add the x4 wooden dowels [E] into the seat x2 chair 'aprons' [3].



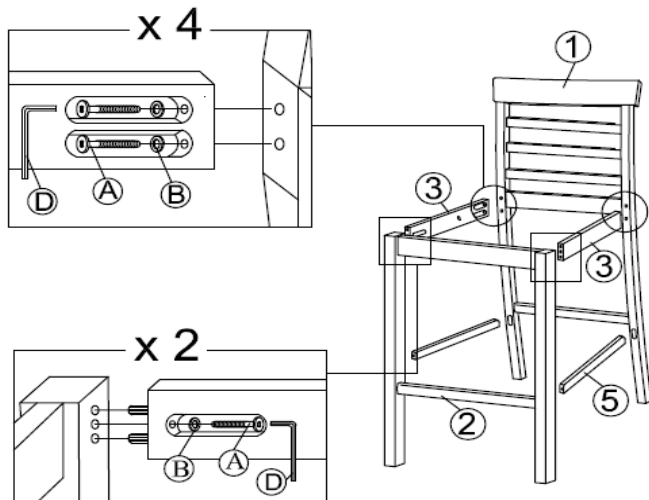
STEP 2

Attach 2x seat aprons to chair back [1] (apron end with no dowels). Secure with 2x spring washers + 2x bolts [A] on each side - 4 in total.

Attach 2x front legs [2] to other end of seat aprons. Secure with 1x spring washer [B] + 1x bolt [A] on each side - 2 in total.

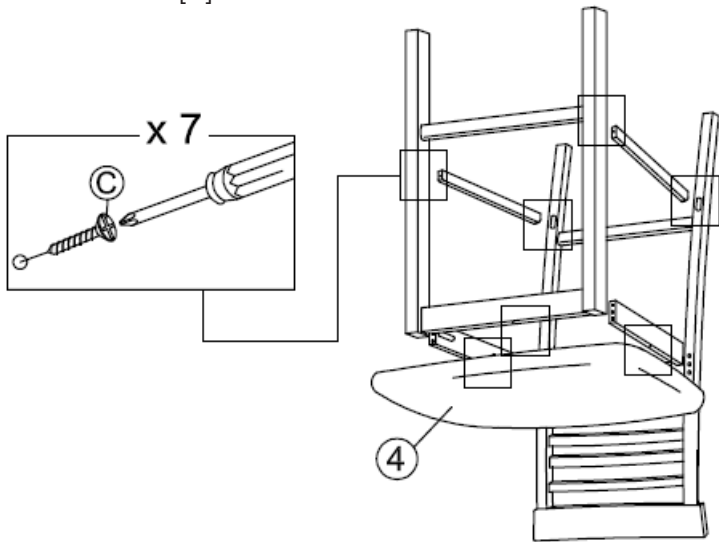
Carefully slot 2x stretchers [5] into place between the lower legs.

Once everything is in place, tighten bolts with Allen key [D] but avoid over-tightening.



STEP 3

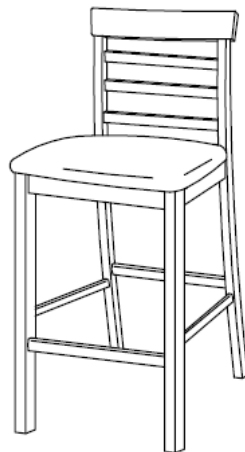
Secure the leg stretchers with 4x wood screws [C]. Then attach the chair seat [4] - you may find it easier to turn the chair upside down and use the edge of a table for support. Secure chair seat with 3x wood screws [C].



STEP 4

Turn the stool over so it rests on its legs. Check stability. Your bar chair is now ready to use!

Repeat for the 2nd chair.





OUR 2 YEAR* GUARANTEE

our products come with a 2 year guarantee to give you peace of mind shopping at

*excludes some garden furniture items which have a 1 year guarantee



WHAT THE GUARANTEE COVERS



PRE-INSERTED FIXINGS
e.g. lose metal threads



FAULTY JOINTS
e.g. legs bending



EXTERNAL FIXING FAULTS
e.g. bonding/glue



STRUCTURAL INTEGRITY
e.g. the frame of the product