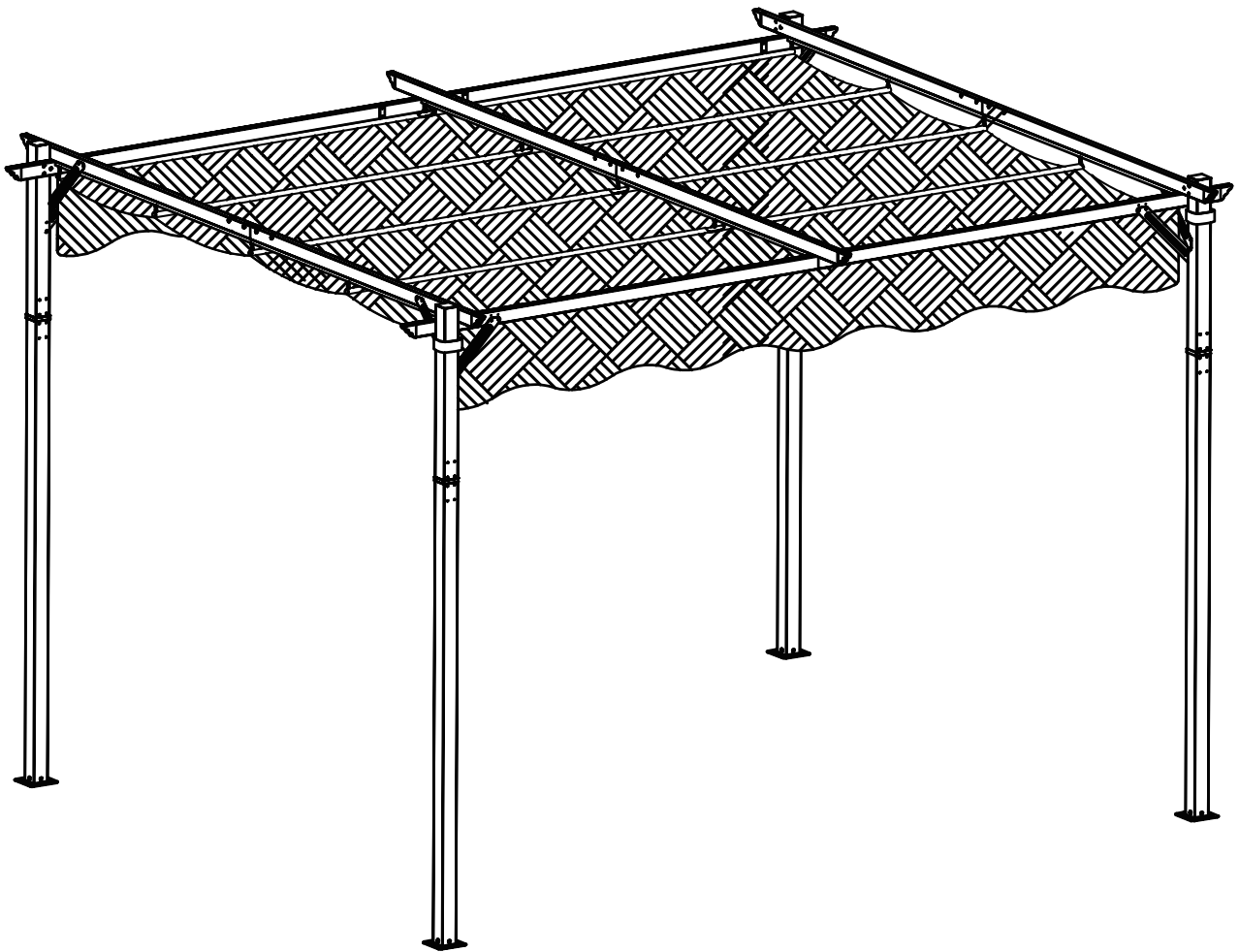


INSTALLATION INSTRUCTIONS

10x12 Grape trellis pavilion



ASSEMBLY TIPS



Warnings and Cautions

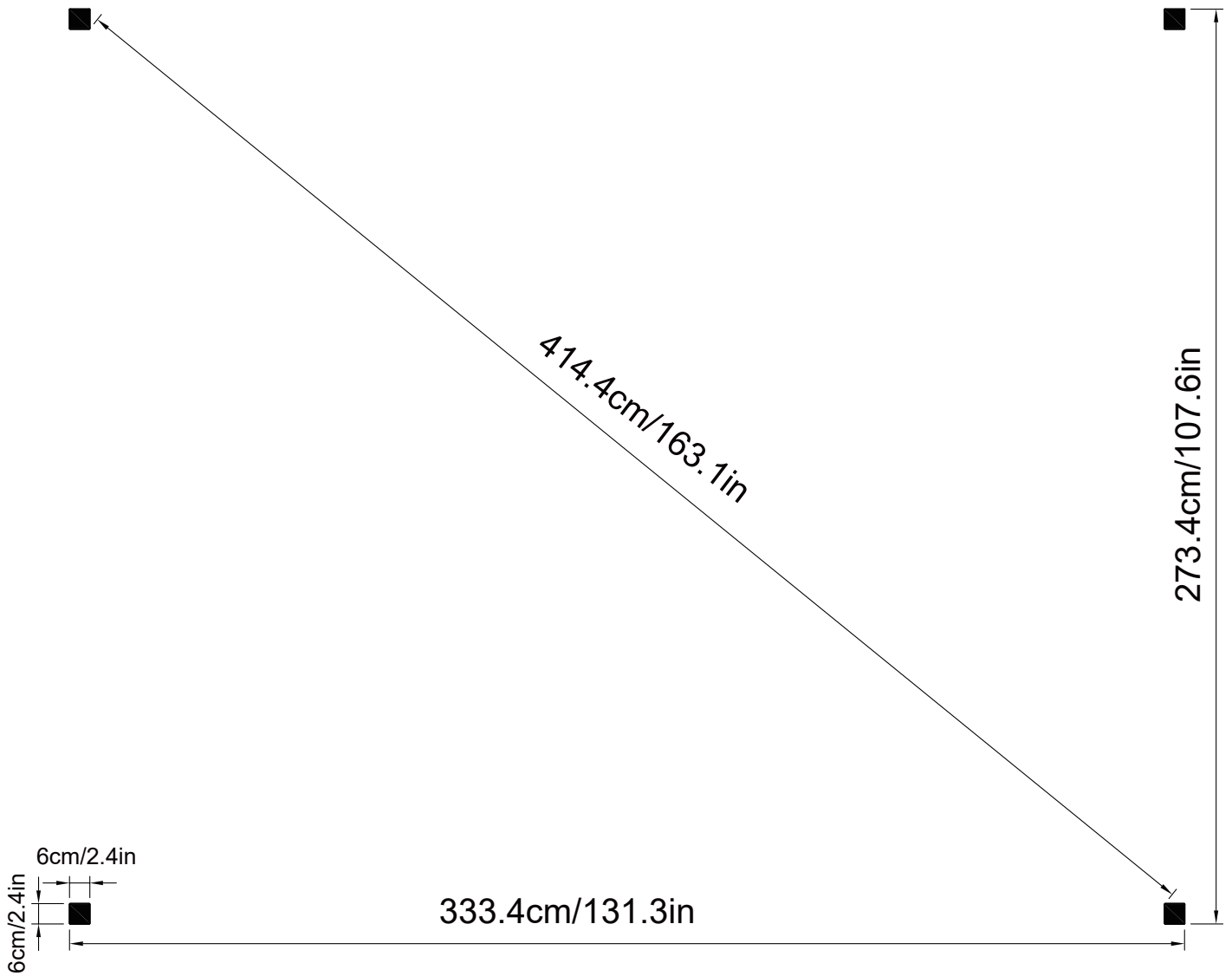
Please retain this instruction for future usage and read carefully before assembly. Make sure you have all the parts & hardware as item list shows. 2 adults or more are recommended to install your gazebo. Do not discard any of the packaging until you have checked that you have all the parts and pack of fittings. Check all bolts for tightness before use, and periodically check and tighten bolts ensure your gazebo works properly. Some parts might have sharp edges/corners. Please follow basic safety precautions to reduce the risk of hurts. It is essential to place on level ground and not less than 6 feet from any obstruction such as fences, garages, overhanging branches, laundry lines, or electrical wires.

This gazebo is intended for decorative and sunshade purposes only and is not designed to withstand harsh weather, including high winds, rain, and snow. / Cet abri de jardin est conçu uniquement pour des fins décoratives et de pare-soleil, et il n'est pas conçu pour résister aux intempéries, notamment les vents violents, la pluie et la neige.

If you have questions or concerns. Please contact us

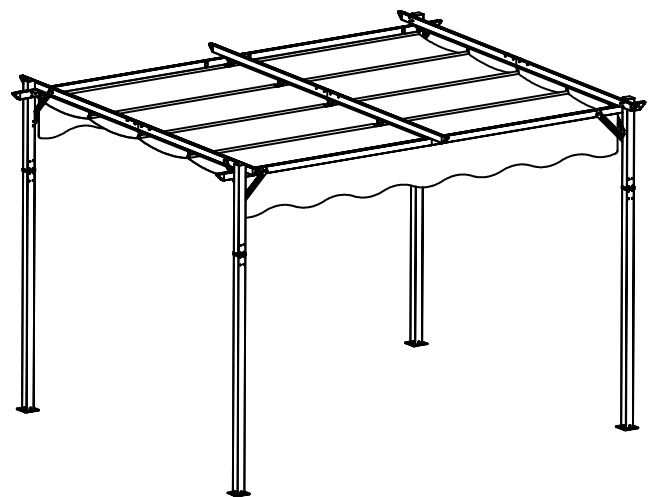
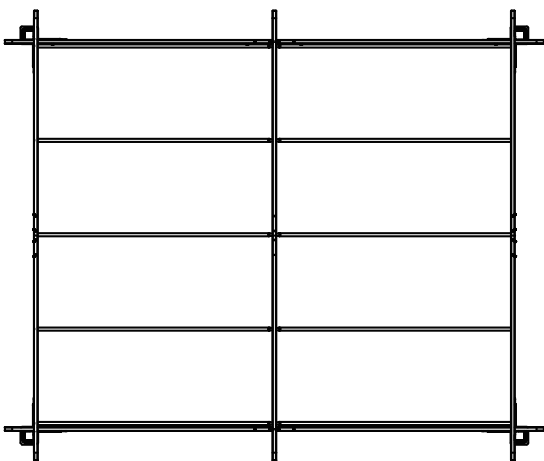
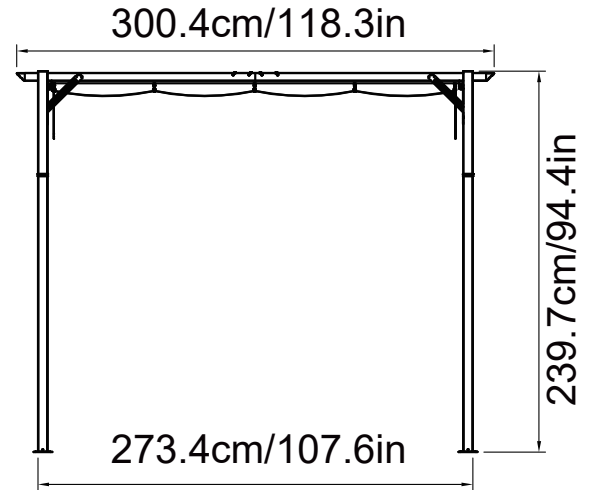
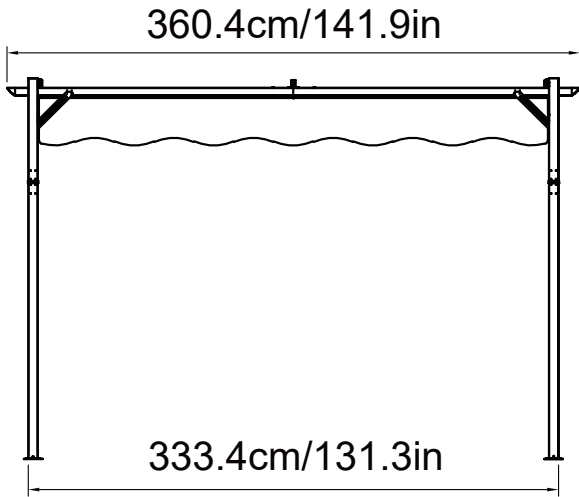
Installation size diagram

10x12


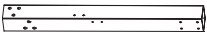
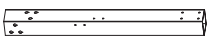







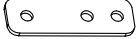


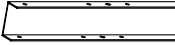
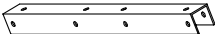

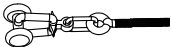






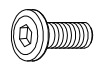




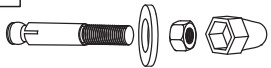
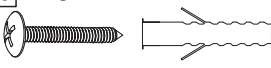


Installation size diagram

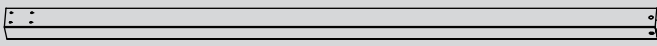
10x12



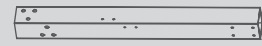
Parts List

A X4  Bottom Leg	B X2  Top Leg	C X2  Top Leg	D X4  Beam
F X2  Cross Beam	G X2  Cross Beam	H X8  Support Bar	J X5  Canopy Rail
J1 X5  Canopy Rail	K X2  Middle Cross Beam	L X4  Magnetic connection	L1 X4  Leg Connection
M1 X4  Base Plate	N X2  Beam Connection	N1 X3  Cross Connection	I X4  Magnet
Q X15  Pulley	Q1 X15  Nut	R X1  Canopy	S X4  Leg Plug
S1 X10  Beam Plug	V X1  Hook+Rope	W X4  Bolt M5*12	W1 X70  Bolt M6*12
W3 X2  Bolt M6*70	X X104  Bolt ST5*15	Y1 X24  Bolt M6*12	Z1 X1  Allen Wrench
Z5 X16  Expansion Bolt	Z6 X16  Tent stake		

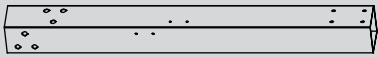
STEP 1



A x4



B x2



C x2



L1 x4



M1 x4



X x64

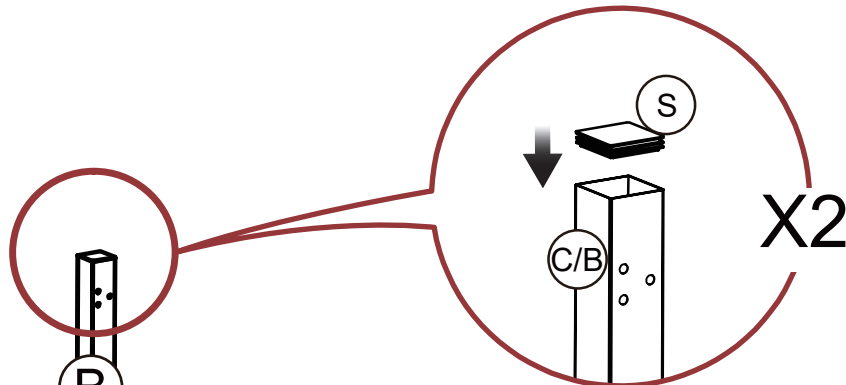
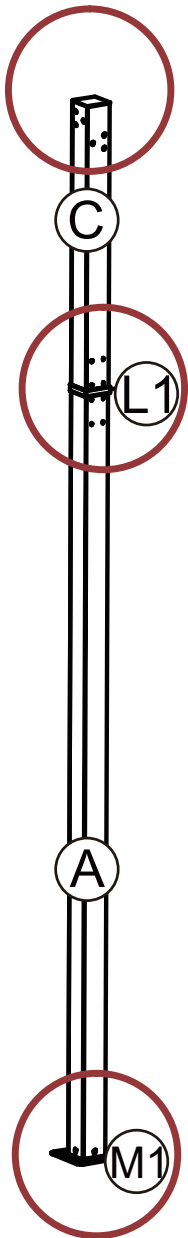


W1 x16

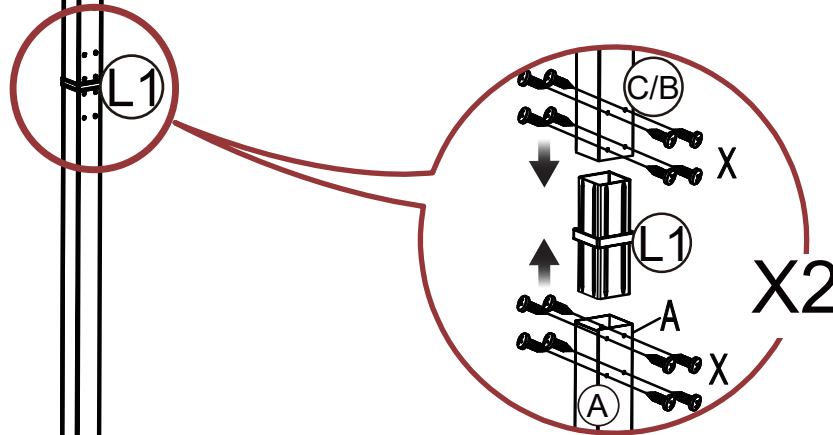


S x4

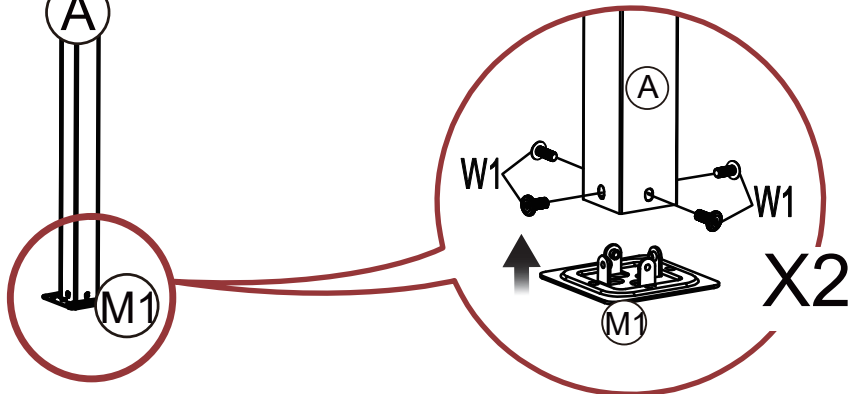
X2



3. Use S to plug B/C.

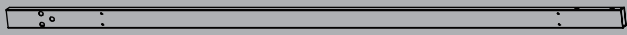


1. Connect B/C and A with L1.



2. Use W1 to fix M1 in the specific hole of A.

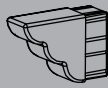
STEP 2



D x4



N x2



S1 x4



L x4



I x4



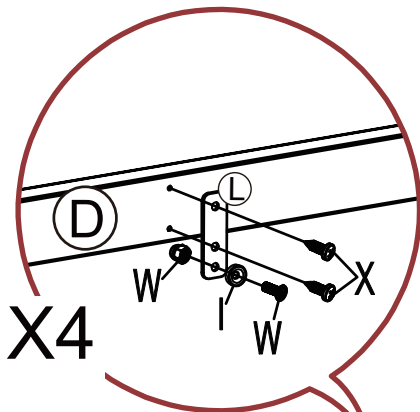
W x4



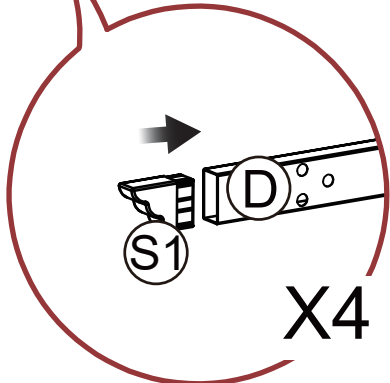
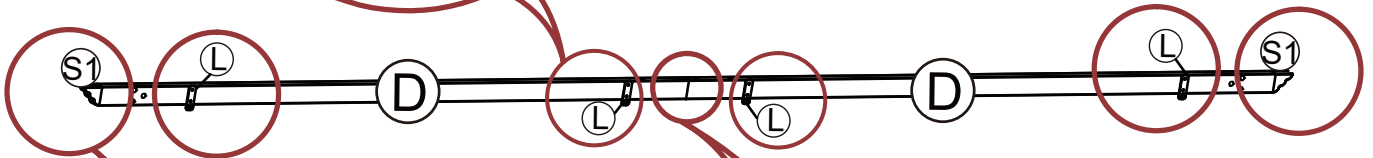
X x8



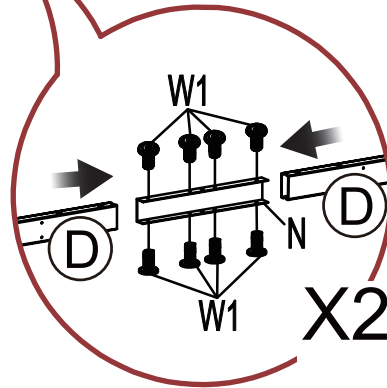
W1 x16



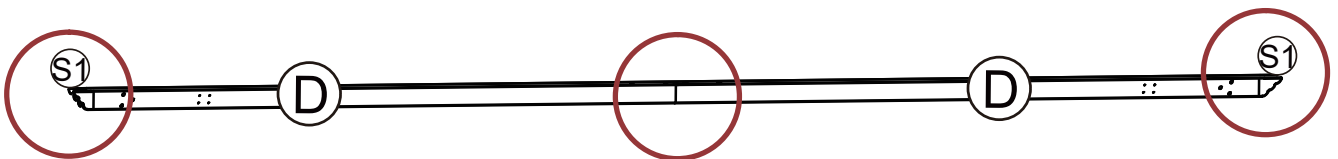
3. First, fix I to L with W, and then fix L to D with X.



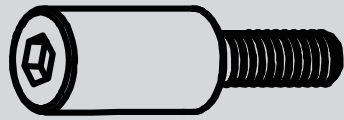
2. Use S1 to plug D.



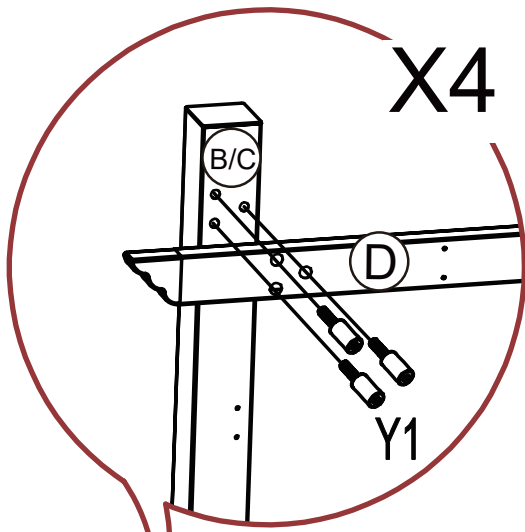
1. Connect D&D with N and fix them with W1.



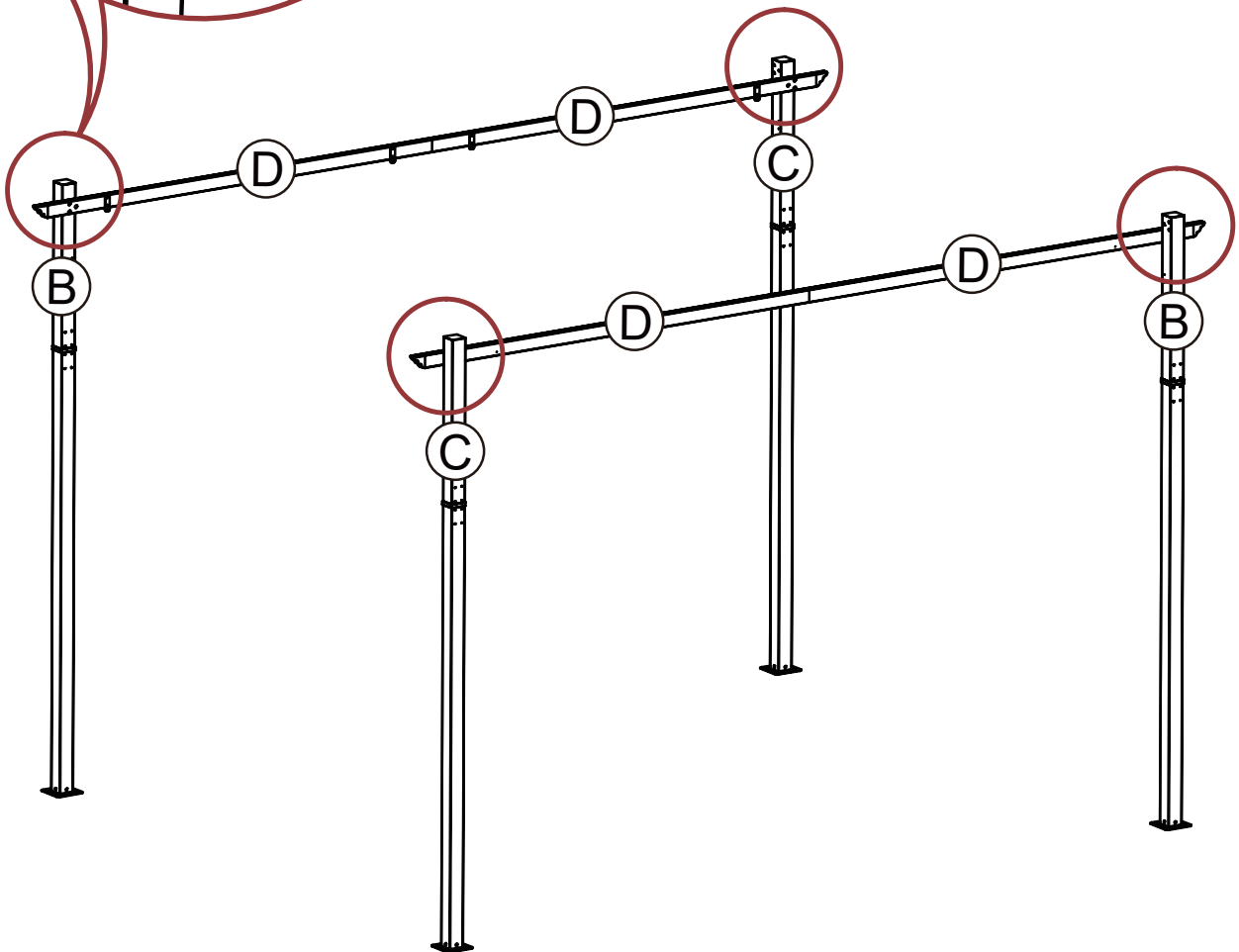
STEP 3



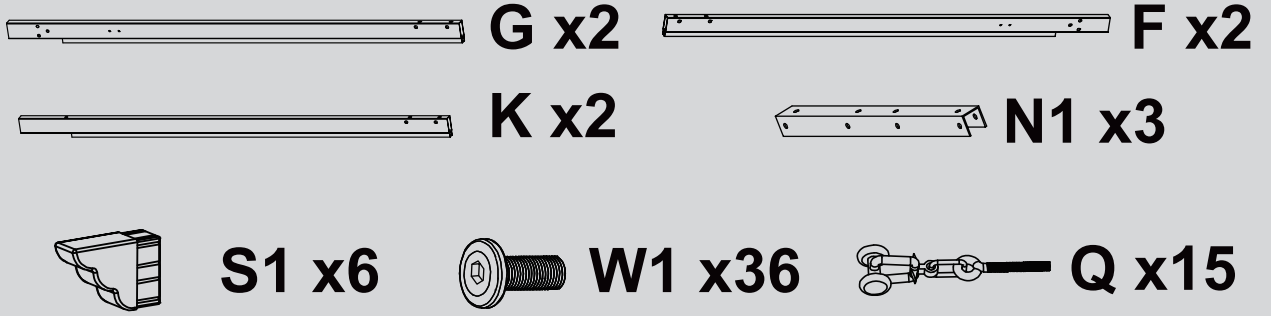
Y1 x12



1. Use Y1 to fix B/C and D.



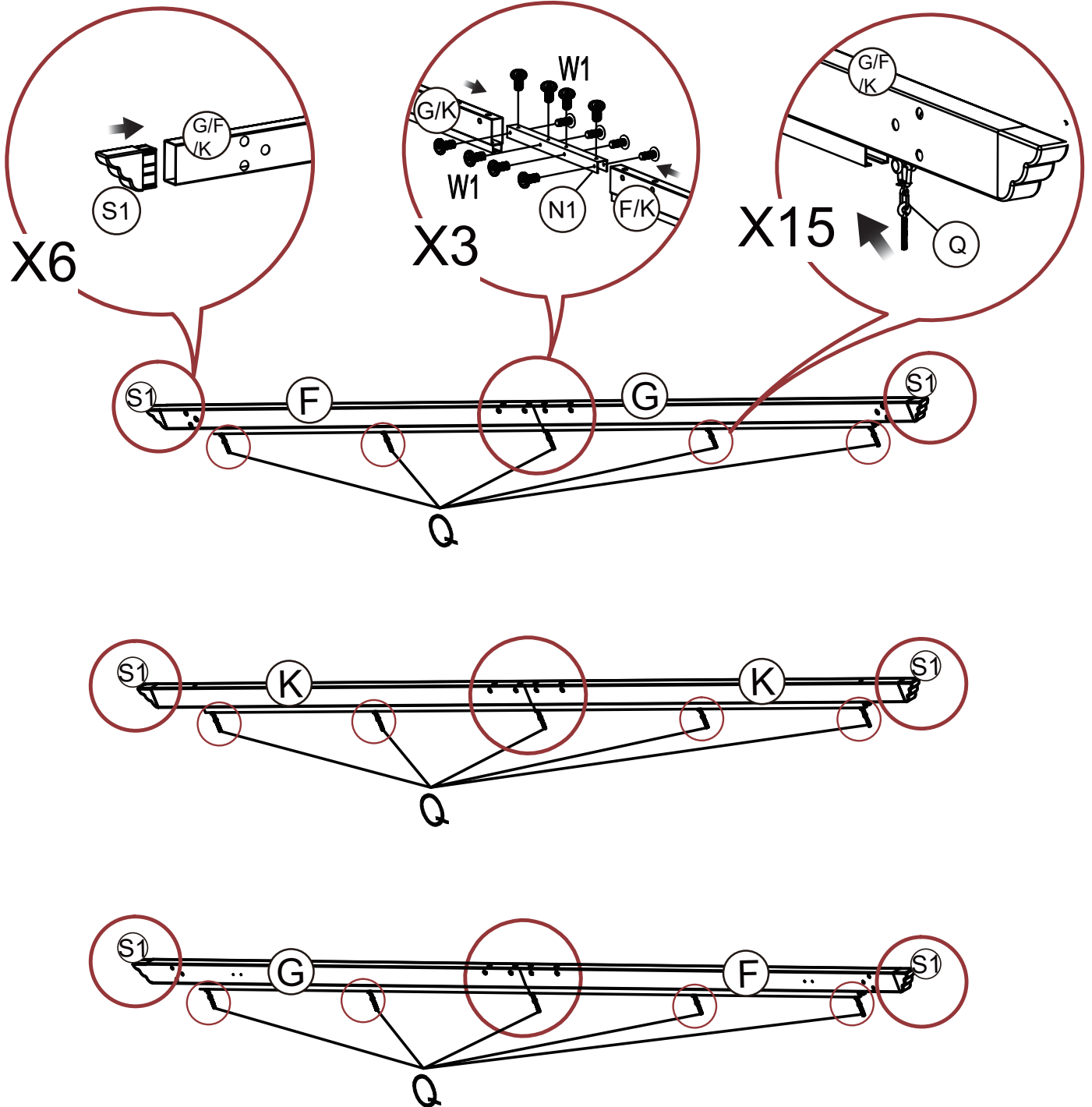
STEP 4



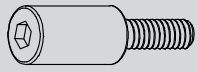
2. Use S1 to plug G/F/K.

1. Connect G/K and F/K with N1, and fix them with W1.

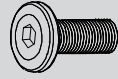
3. Install Q onto G/F/K.



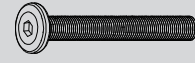
STEP 5



Y1 x12



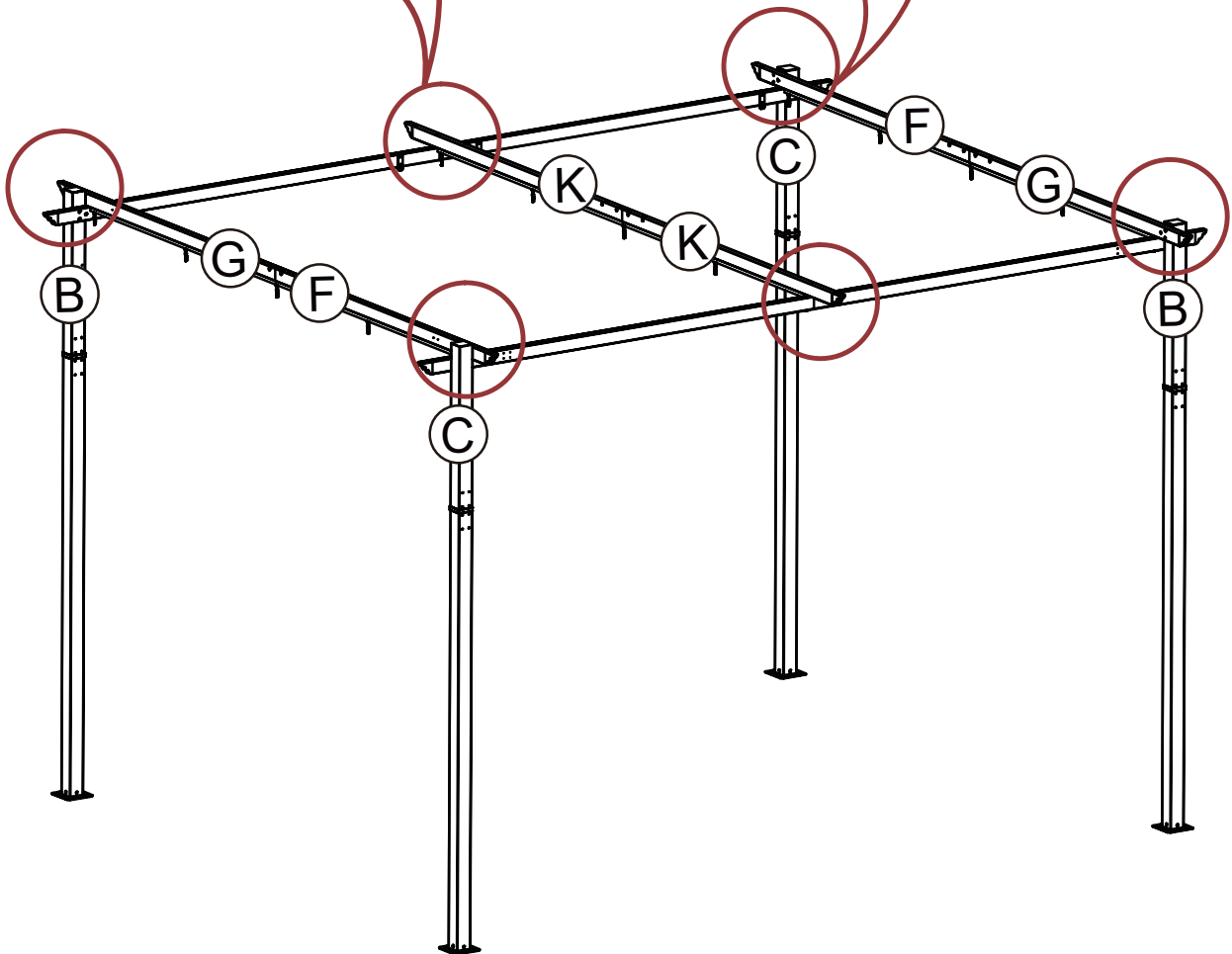
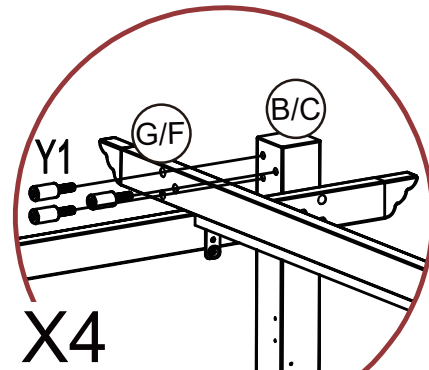
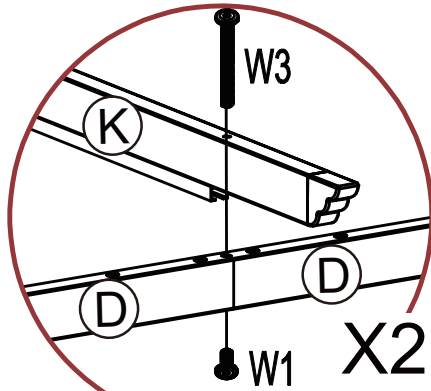
W1 x2



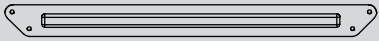
W3 x2

2. Use W1&W3 to fix D and K.

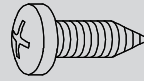
1. Use Y1 to fix G/F and B/C.



STEP 6

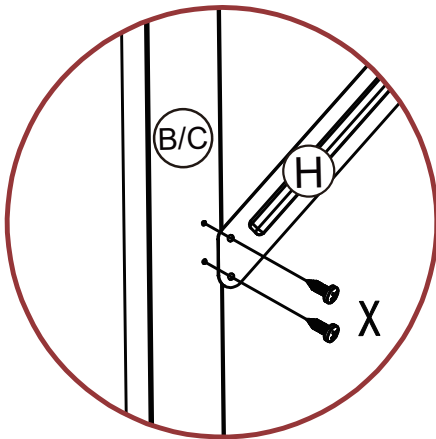


H x8

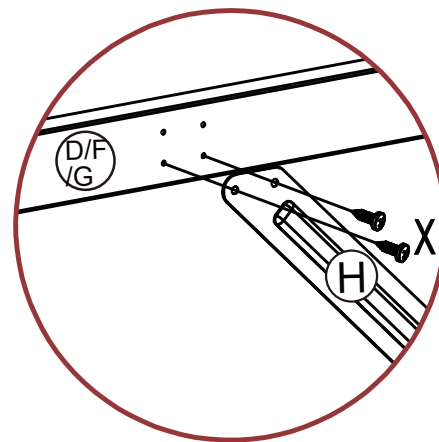


X x32

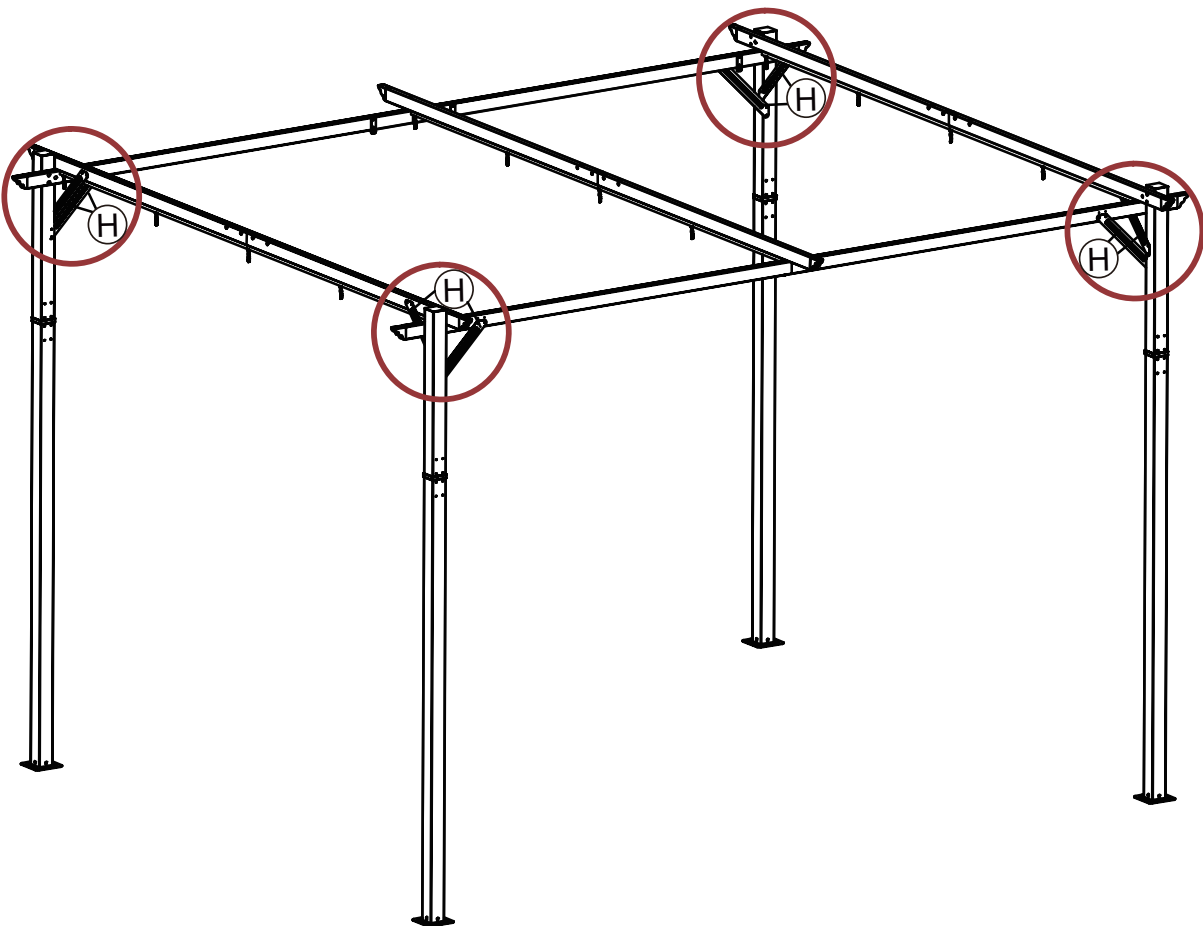
1. Use X to connect B/C and H.



2. Use X to connect D/F/G and H.



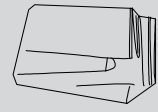
X8



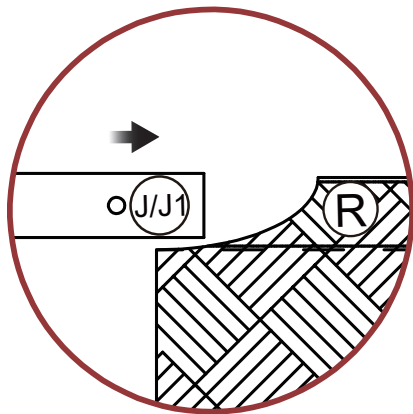
STEP 7

J x1

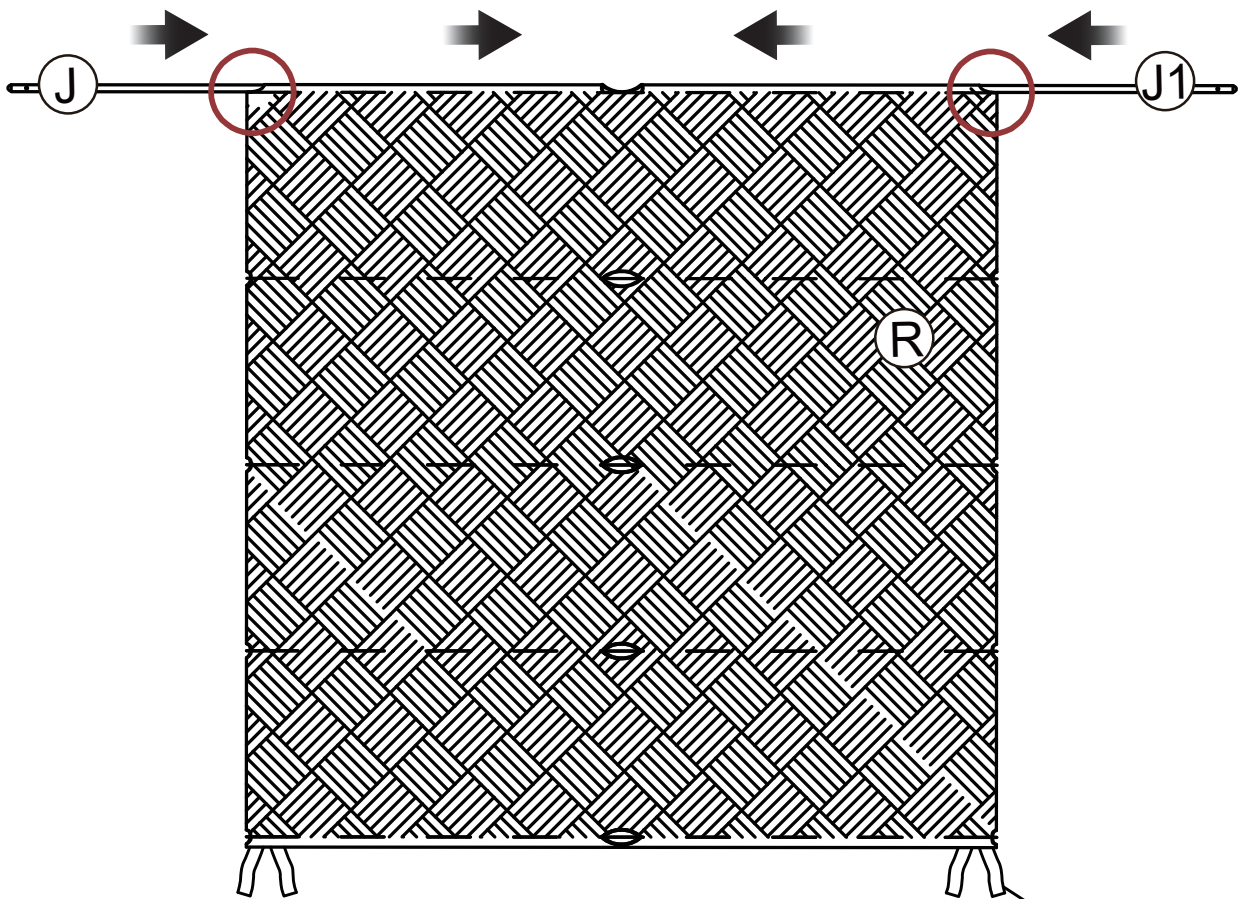
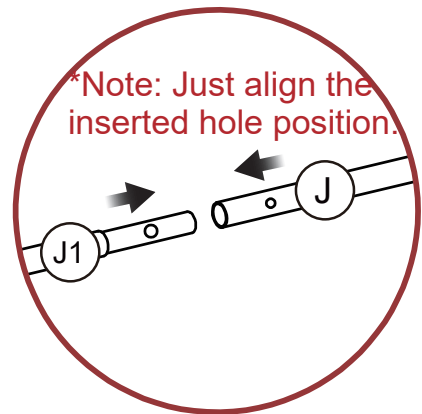
J1 x1



R x1

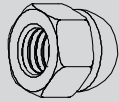


1. Insert J/J1 into R.



Belt side

STEP 8



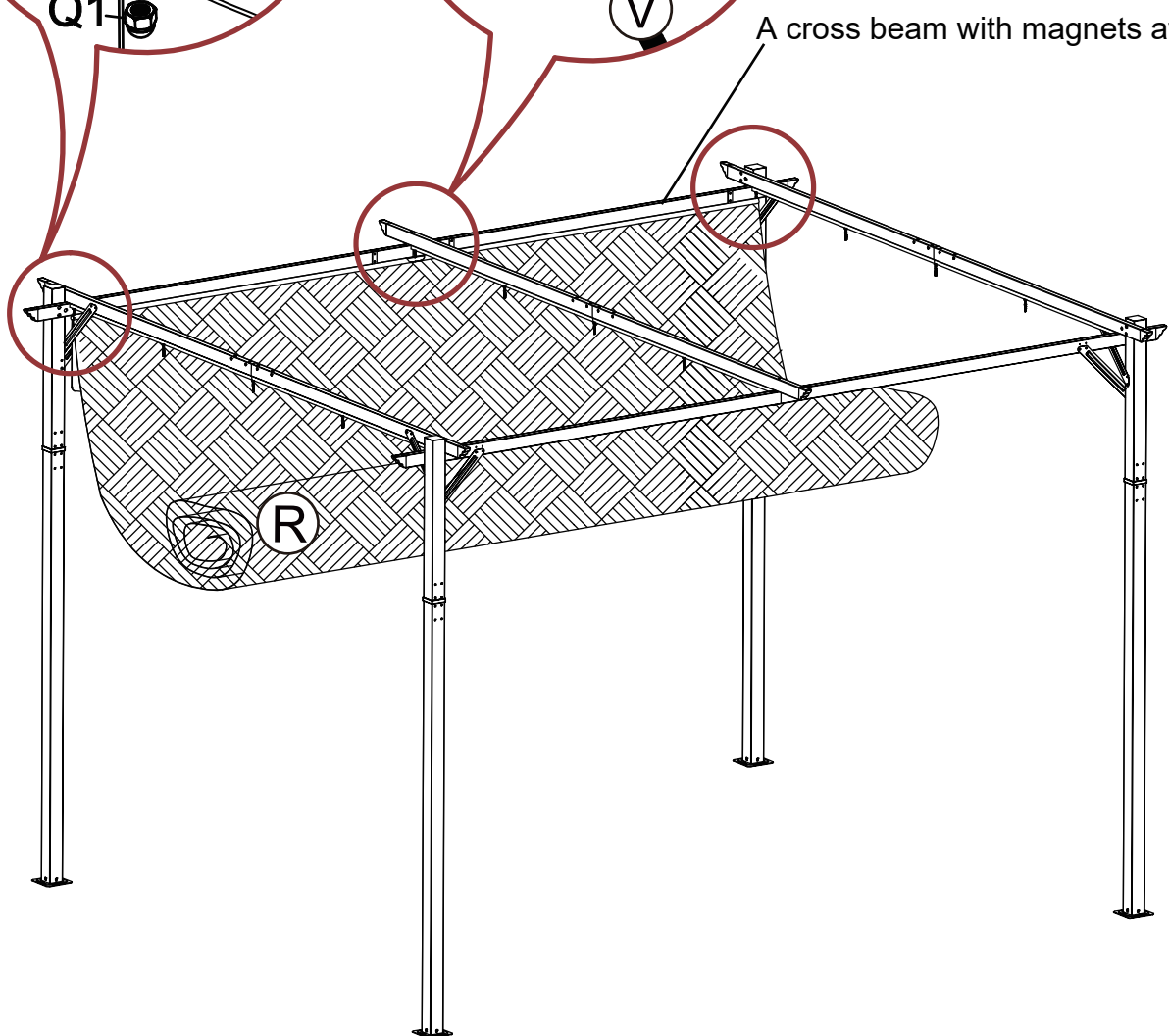
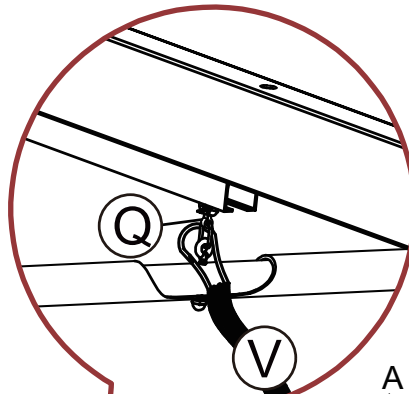
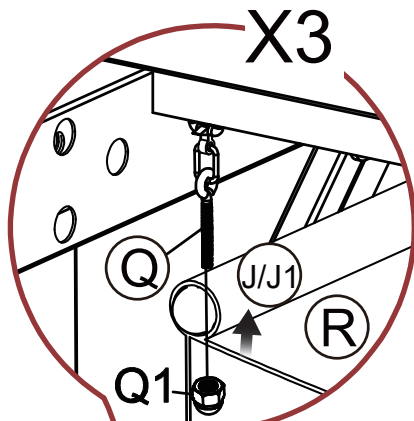
Q1 x3



V x1

1. Install Q on Q1.

2. Install V onto Q.



STEP 9

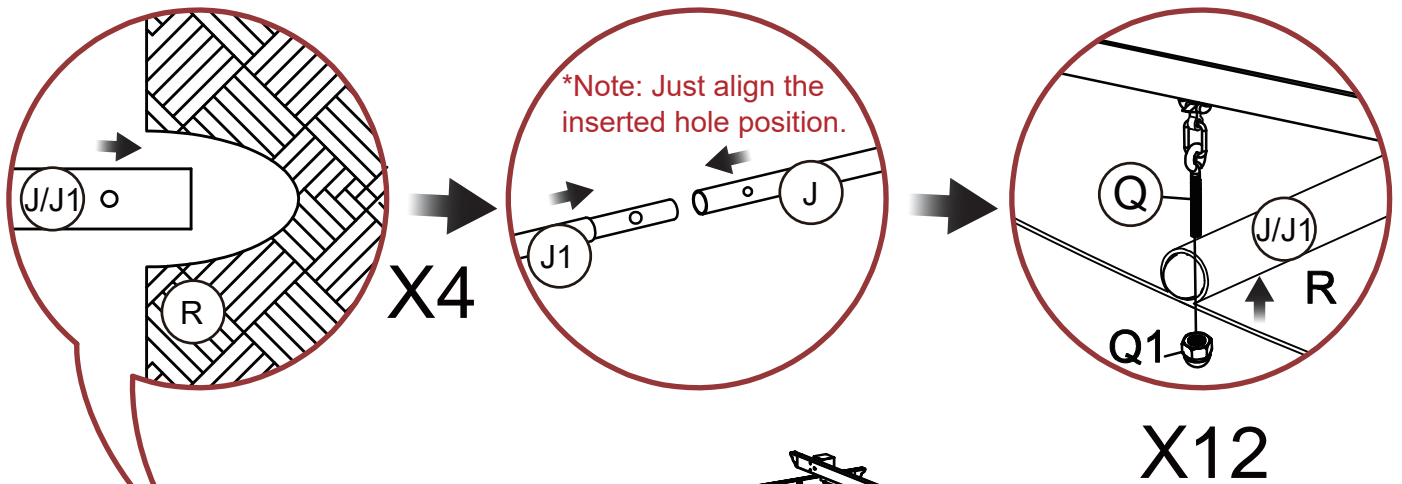
J x4

Q1 x12

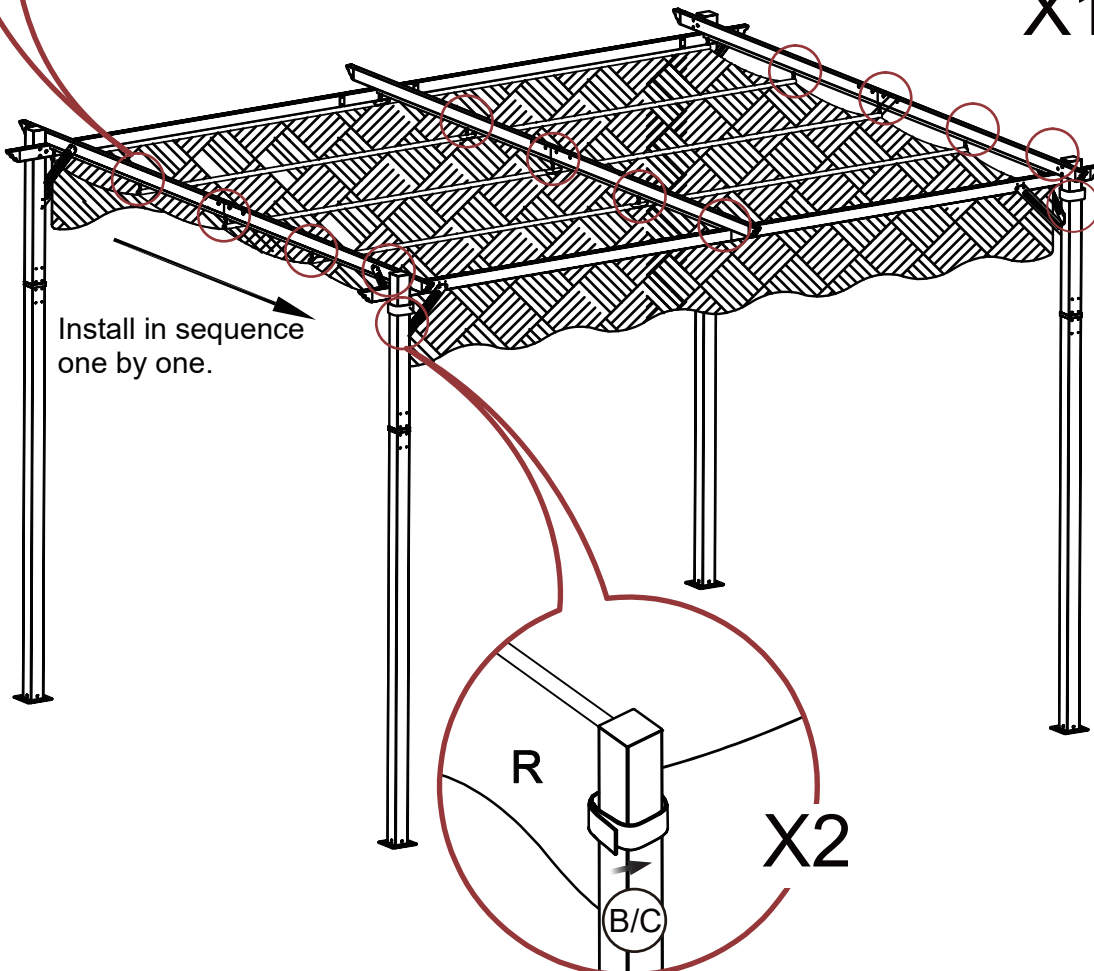
J1 x4

1. Insert J/J1 into R.

2. Install Q on Q1.

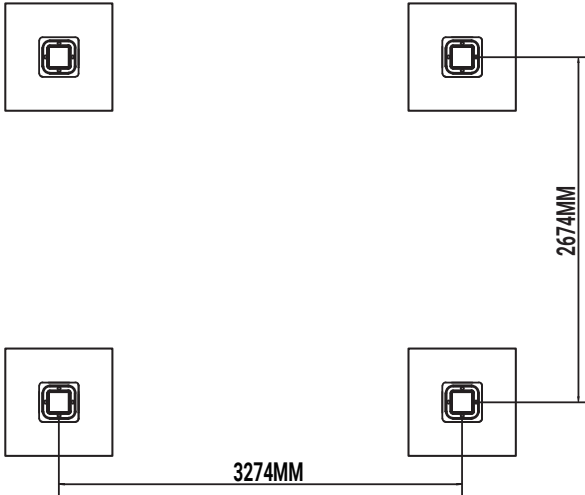
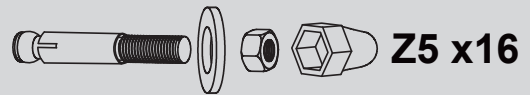
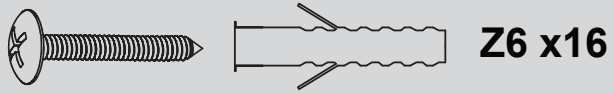


Install in sequence one by one.

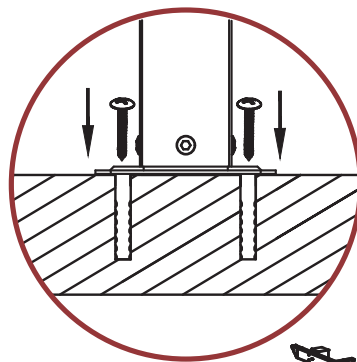
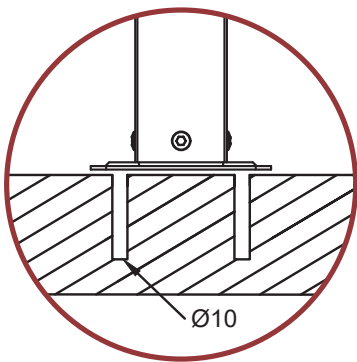


3. Tie the strap to B/C.

STEP 10



1. Secure the product to both the wall and the floor using Z5 or Z6 .



or

