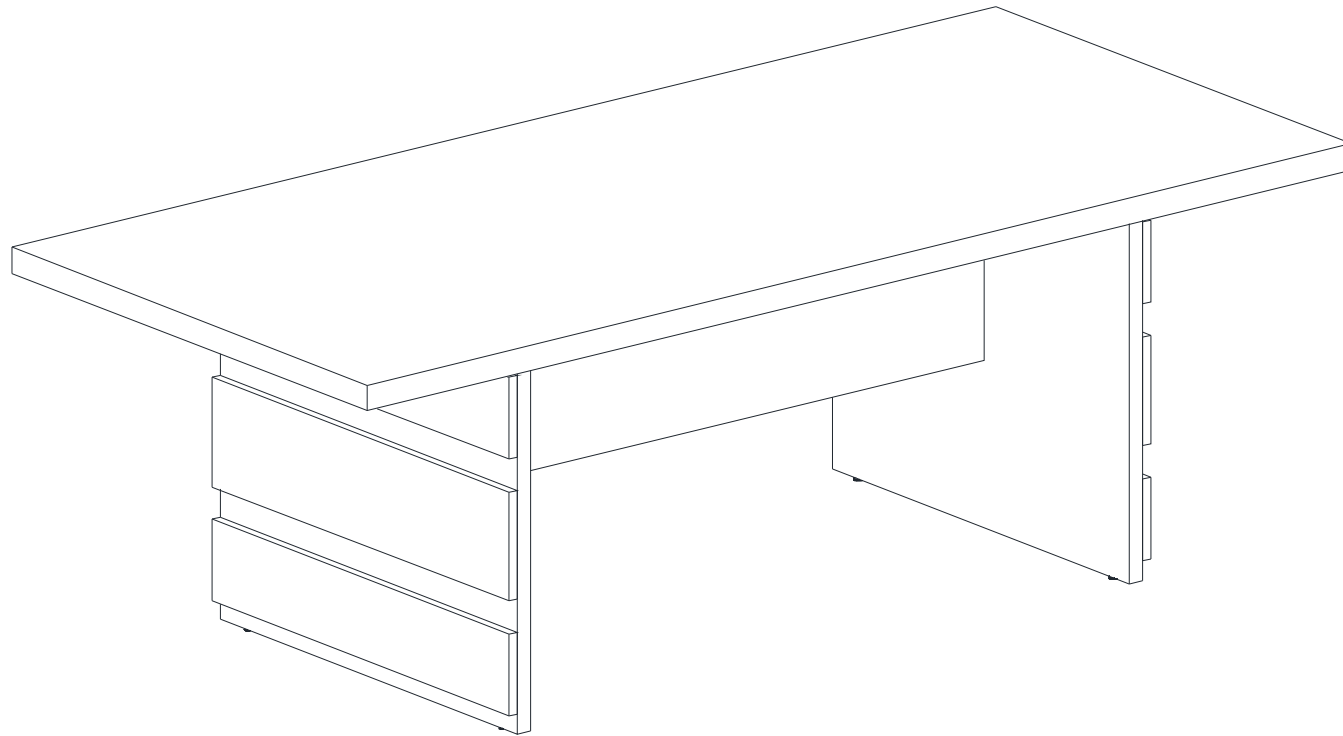
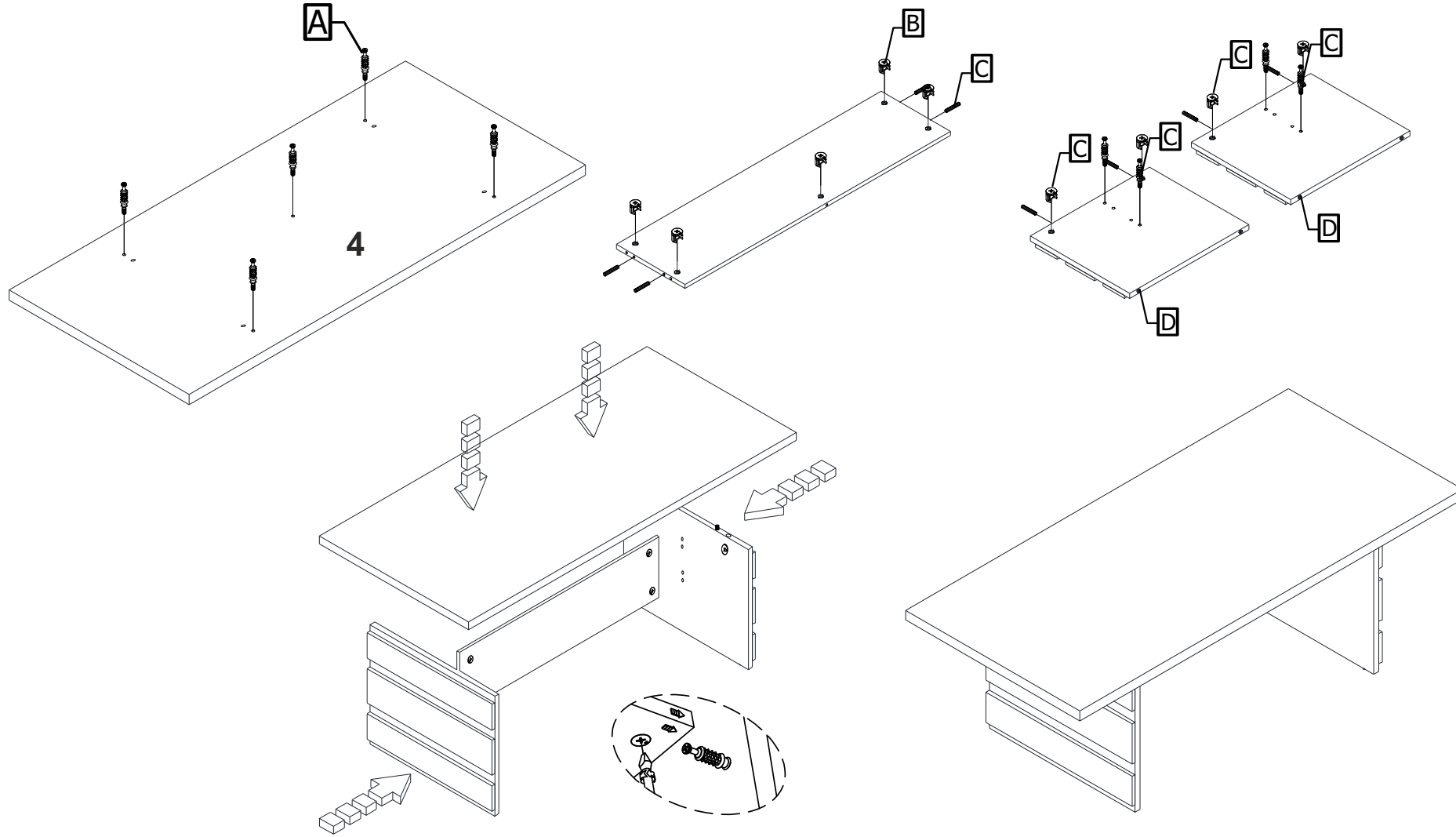






**PRODUCT** : ARMA MEETING TABLE  
**CODE** : ARM 07  
**DIMENSIONS** : 200x100x75  
**TOTAL PACKAGES** : 2





Part Code	Quantity	A	B	C	D												
<b>Part Name</b>																	
<b>Part Number</b>		<b>102-001</b>	<b>102-002</b>	<b>102-003</b>	<b>102-004</b>												

