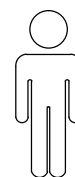
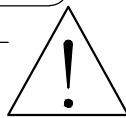
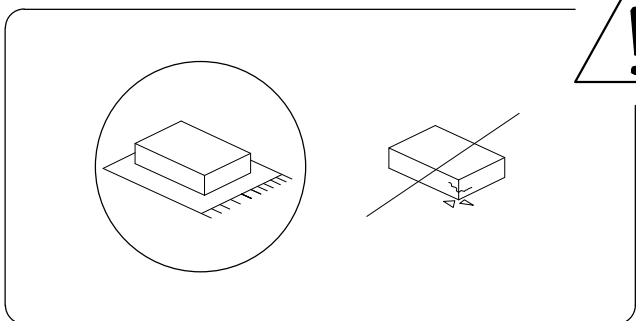
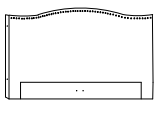

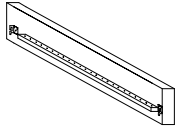
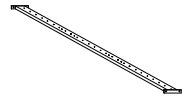

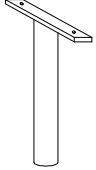
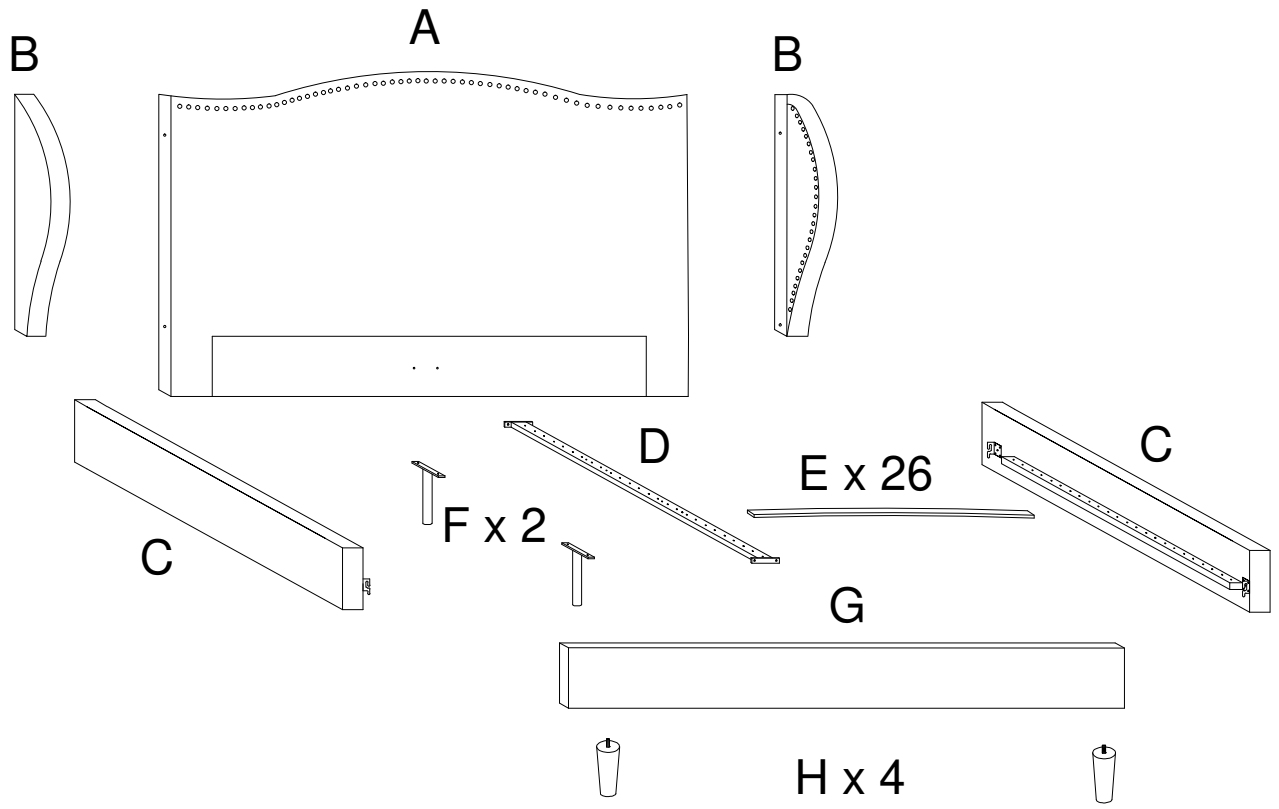





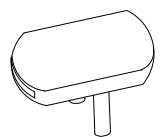
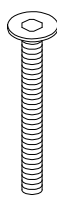
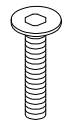
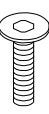
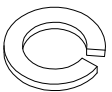
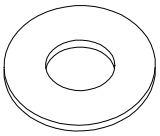
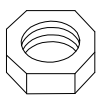
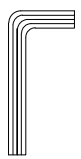
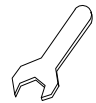
40'



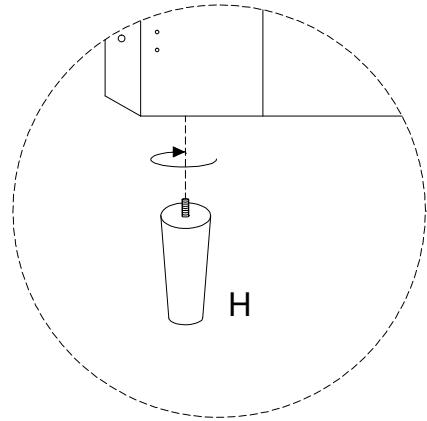
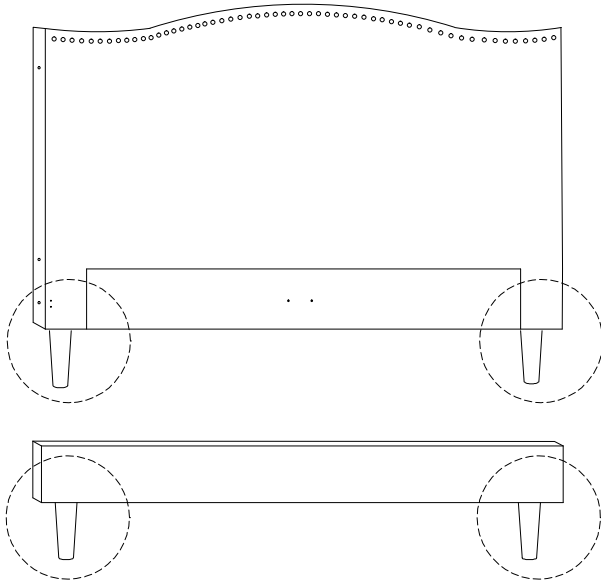
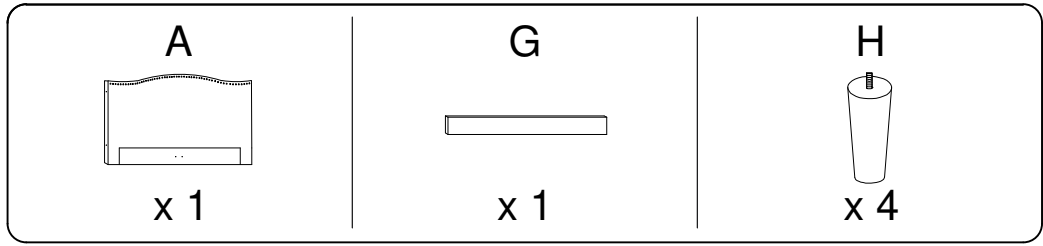
2

<b>A</b> 	<b>B</b> 	<b>C</b> 	<b>D</b> 	<b>E</b> 	<b>F</b> 
x 1	x 2	x 2	x 1	x 26	x 2

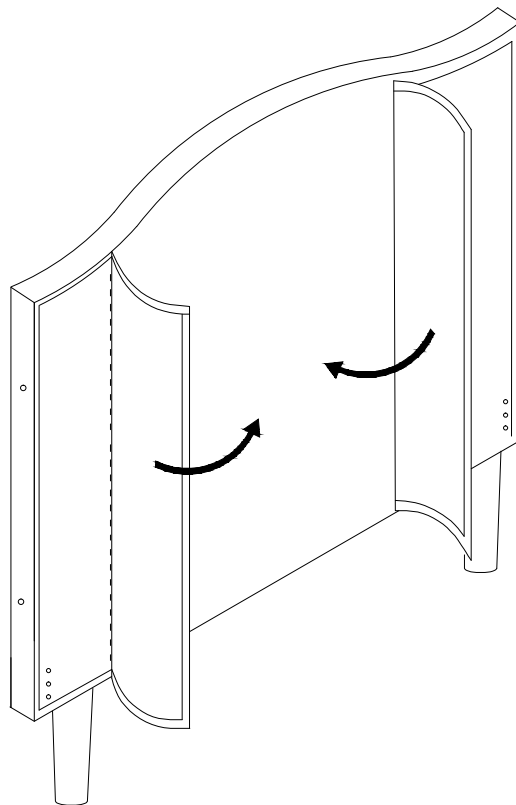


<b>G</b> 	<b>H</b> 	<b>I</b> 	<b>J</b> 	<b>K</b>  M8 x 60	<b>L</b>  M8 x 40
x 1	x 4	x 26	x 13	x 4	x 8
<b>M</b>  M8 x 30	<b>N</b> 	<b>O</b> 	<b>P</b> 	<b>Q</b> 	<b>R</b> 
x 10	x 22	x 22	x 4	x 1	x 1

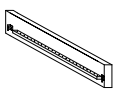


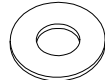
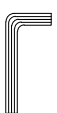
1

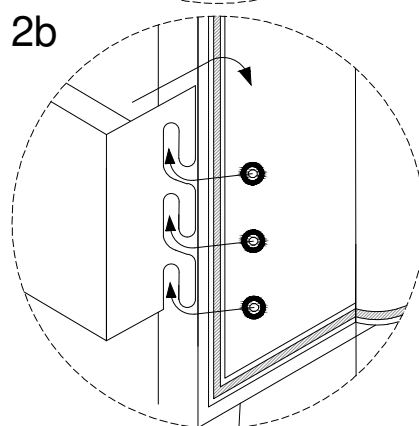
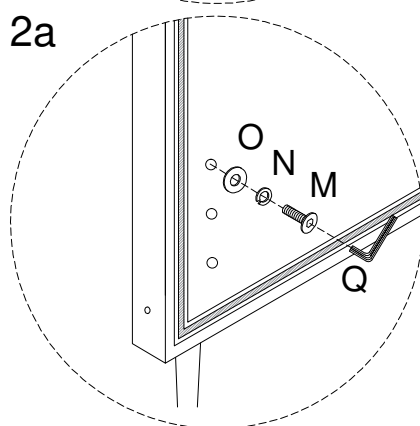
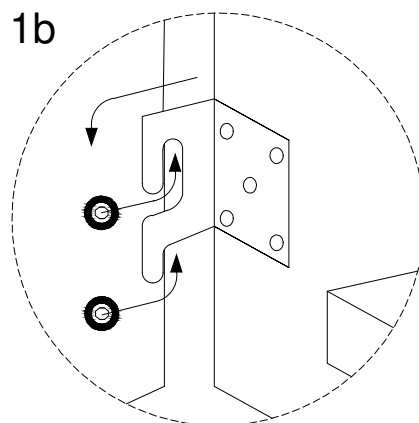
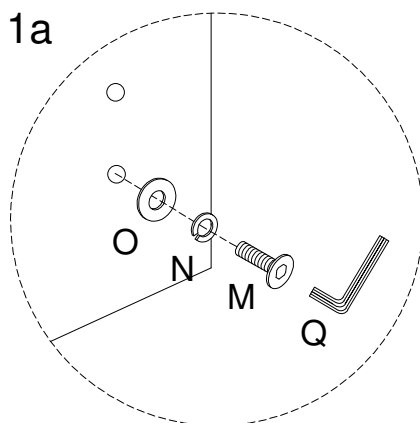
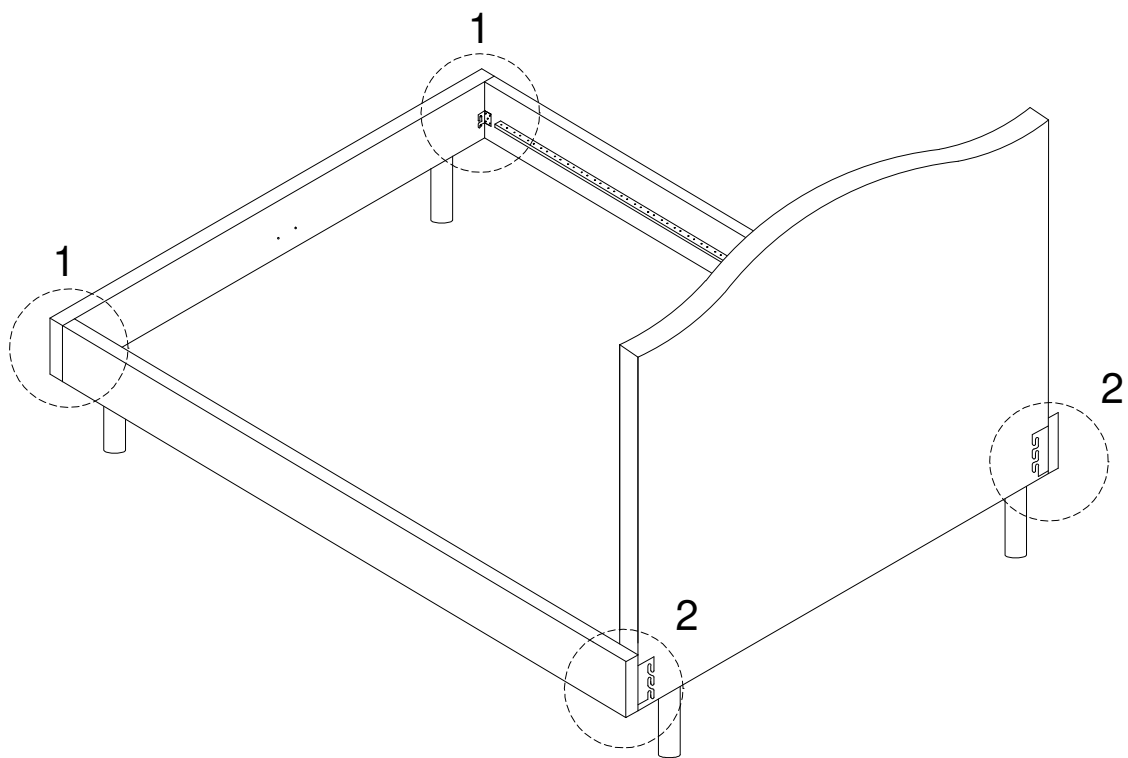


2

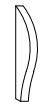
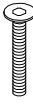
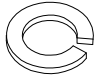

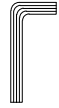


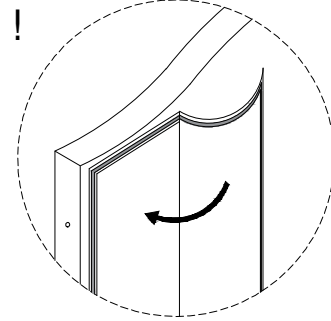
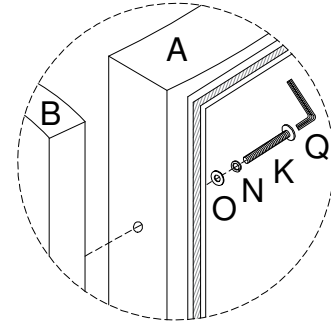
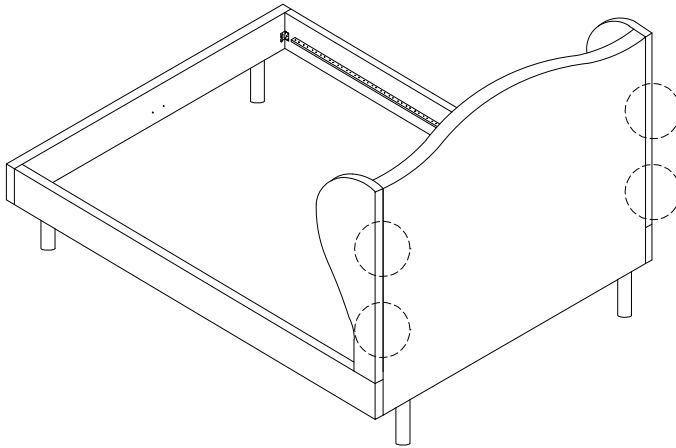
3

<b>C</b>  x 2	<b>M</b> M8 x 30 x 10 	<b>N</b>  x 10	<b>O</b>  x 10	<b>Q</b>  x 1
--	--	---	---	--



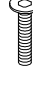



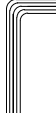



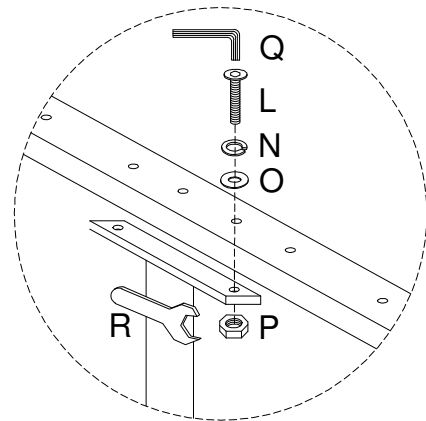
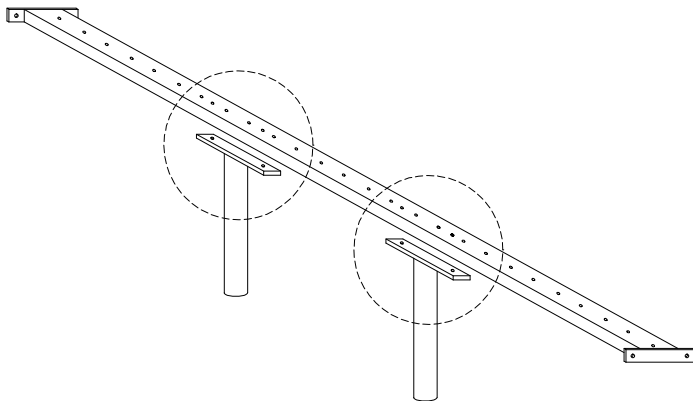
4

<b>B</b>  x 2	<b>K</b>  M8 x 60 x 4	<b>N</b>  x 4	<b>O</b>  x 4	<b>Q</b>  x 1
--	---	--	--	--

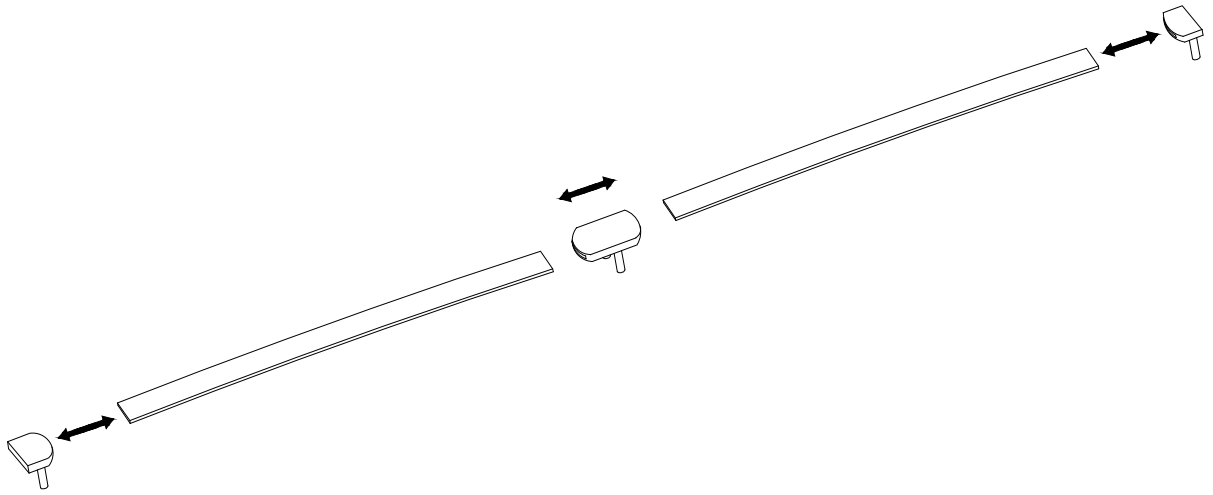
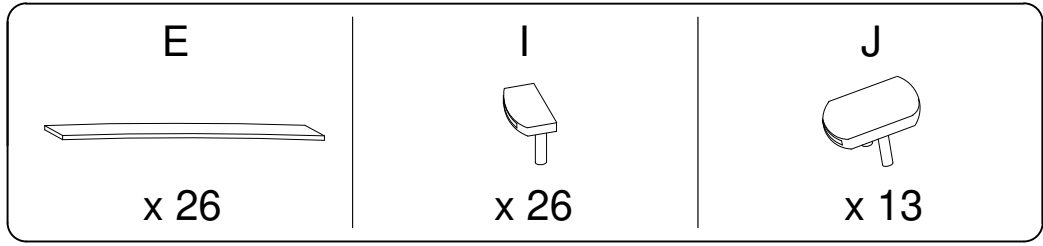


5

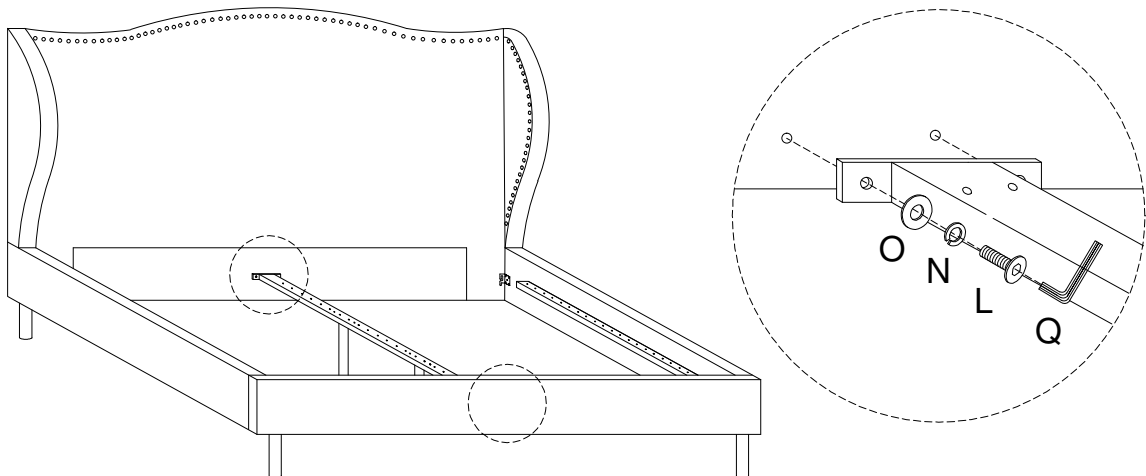
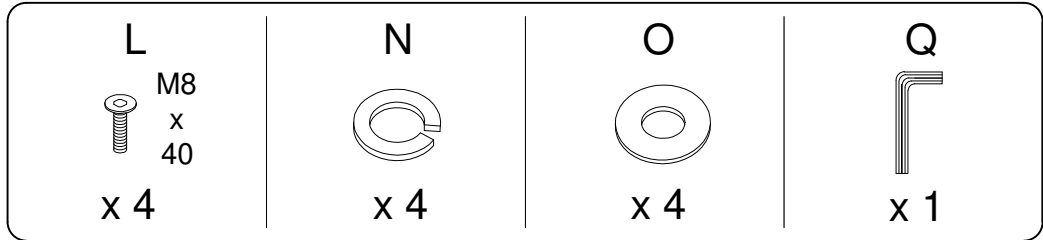
<b>D</b>  x 1	<b>F</b>  x 2	<b>L</b>  M8 x 40 x 4	<b>N</b>  x 4	<b>O</b>  x 4	<b>P</b>  x 4	<b>Q</b>  x 1	<b>R</b>  x 1
--	--	---	--	---	--	--	--



6



7



8

