



803718R-LED-AC 803724RLED-AC  
 803732R-LED-AC 803748RLED-AC  
 803760R-LED-AC 803772RLED-AC

**IMPORTANT!!! BEFORE YOU BEGIN**

1. Inspect the product immediately upon receipt for transit damage, missing parts or manufacturing faults.
2. Handle the product with care and protect against knocks to all sides and edges of the glass.
3. Fixings supplied are for use in solid walls, hollow or stud walls will require specialist fixings available from your hardware supplier
4. Make sure that you have all the tools you need to complete the job (SEE BELOW)
5. Ensure there are no hidden pipes or cables in the wall before drilling.
6. If drilling holes in ceramic tiles use a piece of masking tape on the tile to stop the drill bit from slipping.

**ERECTING TOOL**



**AFTERCARE INSTRUCTIONS**

Clean using a soft dry cloth only when turned off. Never use cleaning agents or abrasive materials. Do not allow moisture to come into contact with the lamps.

**ELECTRICAL SAFETY INSTRUCTIONS**

All connections must be installed by a licensed electrician, in accordance with current building codes. Consult a qualified electrician.

**IMPORTANT**

Always switch off the electrical supply at the main during installation and maintenance. It is recommended that the circuit breaker is switched off for the necessary circuit before installation commences. Fitting in Bathrooms is subject to the appropriate building code Regulations. This product is NOT suitable for outside zones. It is also NOT suitable for installation in saunas, steam rooms or shower cubicles. This product is only suitable for permanent installation. DO NOT connect to a trailing plug and socket outlet. This product is only suitable for indoor use. DO NOT attach the product to surfaces that are damp or otherwise electrically conductive.

**INSTALLATION CARE & SAFETY**

Wear suitable eye protection when drilling. Take care when using power tools. Beware of hidden cables or pipes. Take care if drilling on tiled surfaces in case the drill slips. A piece of masking tape applied to the wall before marking out the fixing holes will stop the drill from wandering.

**IMPORTANT!!!**

DO NOT strike glass components with hard or pointed items. DO NOT place very hot or very cold items against or in close proximity to glass surfaces unless an adequately thick insulation material is used to prevent such items coming in contact with the glass. If the glass becomes chipped or broken replace immediately.

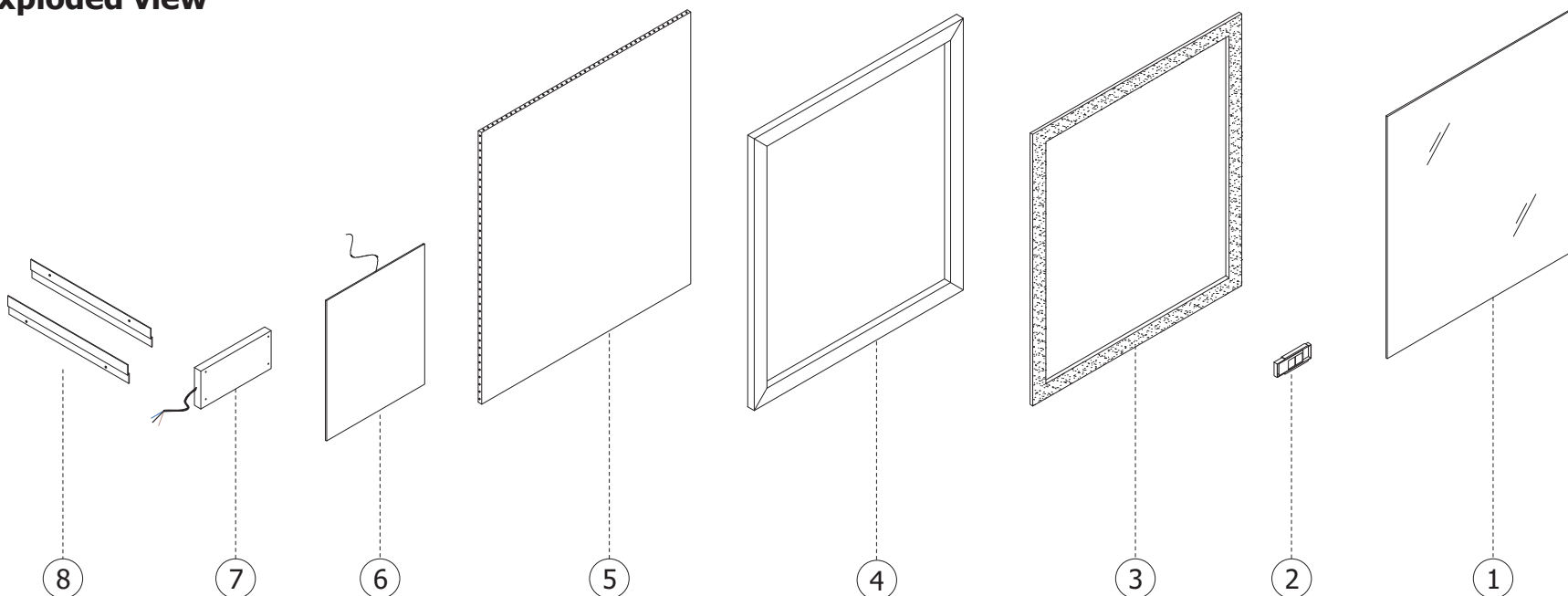
**CLEANING**

It is recommended that the unit is cleaned with a soft, dry, non-abrasive cloth when turned off. Never use cleaning agents or abrasive materials on any type of surface finish. DO NOT allow moisture to come into contact with the electrical components.

**INSTALLATION INSTRUCTIONS**

1. Switch off the electrical supply at the mains before beginning
2. Using the template, mark the wall with a pencil.
3. Ensure that the mirror cabinet is level and check there are no hidden pipes or cables before drilling.
4. Wearing suitable eye protection, drill 4 holes using a 6mm drill bit and fix the wall plugs and screws in place leaving the end of the screw head protruding from the wall.
5. Make the electrical connections in accordance with current IEE wiring regulations. If in doubt consult your electrician.
6. Carefully hang the mirror.
7. Switch on the mirror lights.

**Exploded view**



1. Mirror
2. Touch Switch
3. Acrylic
4. Aluminum frame
5. LED Strip
6. Fog removal sticker
7. Power supply box
8. Upper mirror hanging

# INSTALLATION INSTRUCTIONS

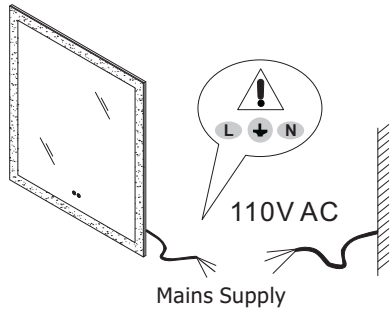
**\*It IS HIGHLY RECOMMENDED THAT TWO PEOPLE INSTALL THE CASE TOGETHER\***

**Before making any electrical connections it is necessary to turn off the main electricity supply. This unit is provided with a supply cable already fitted.**

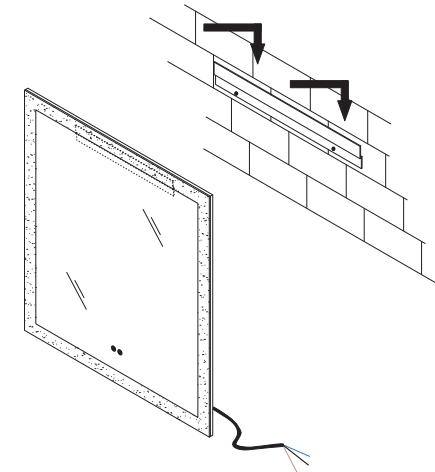
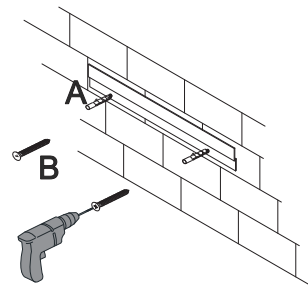
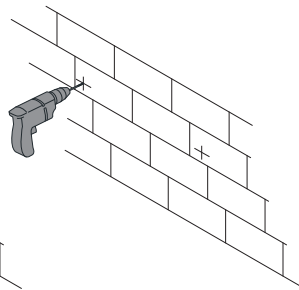
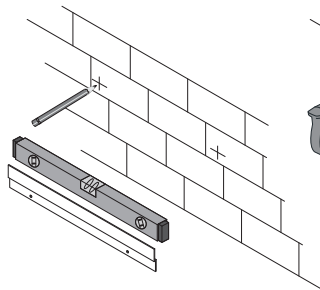
## Installation Instructions:

The first step is to make the electrical connection from the mirror to the mains supply. Use the connection wire found at the rear of the mirror to make the necessary connections. A second person will need to hold the mirror in place whilst electrical connections are made.



1. Measure the hook position and mark the wall with a pen.
2. Drill holes in the wall with a drill bit.
3. Secure the hanger in the desired position.
4. Hang up the mirror and shake it from side to side to see if it's stable



**\*IF IN DOUBT CONSULT YOUR ELECTRICIAN\***

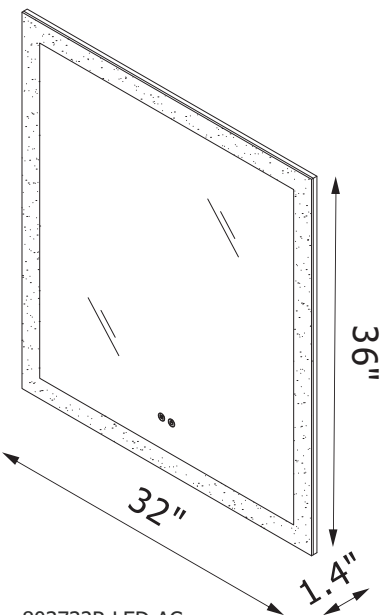


**Screw :**

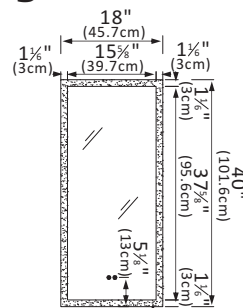
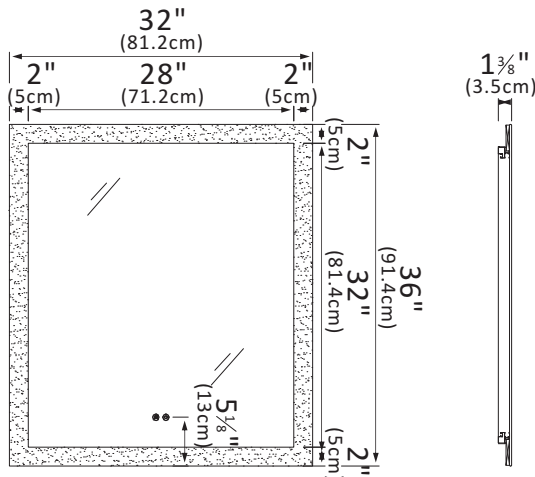
- A  X2
- B  X2

**\*A,B applies only to solid walls**

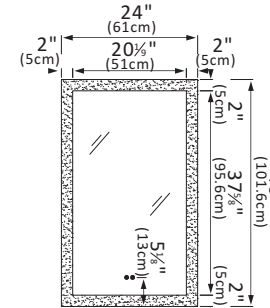
## Recessed Opening Dimensions



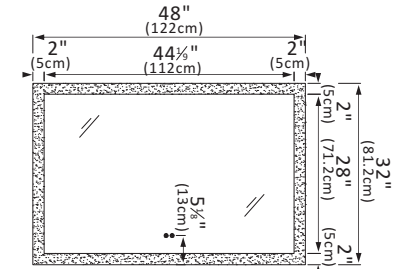
**803732R-LED-AC**  
•32 W × 1 1/4 D × 36 H  
•81.2W × 3.5 D × 91.4 H cm



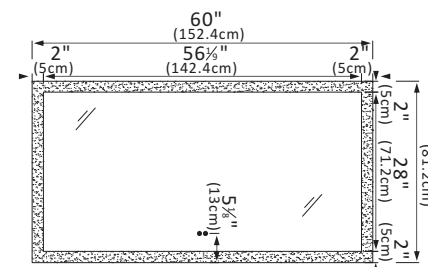
**803718R-LED-AC**  
•18 W × 1 1/4 D × 40 H  
•45.7W × 3.5 D × 101.6H cm



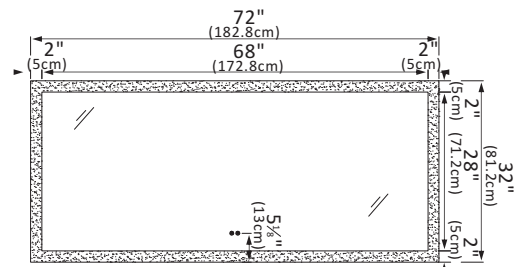
**803724R-LED-AC**  
•24 W × 1 1/4 D × 40 H  
•61 W × 3.5 D × 101.6H cm



**803748R-LED-AC**  
•48 W × 1 1/4 D × 32 H  
•122 W × 3.5 D × 81.2H cm



**803760R-LED-AC**  
•60 W × 1 1/4 D × 32 H  
•152.4 W × 3.5 D × 81.2H cm



**803772R-LED-AC**  
•72 W × 1 1/4 D × 32 H  
•182.8 W × 3.5 D × 81.2H cm