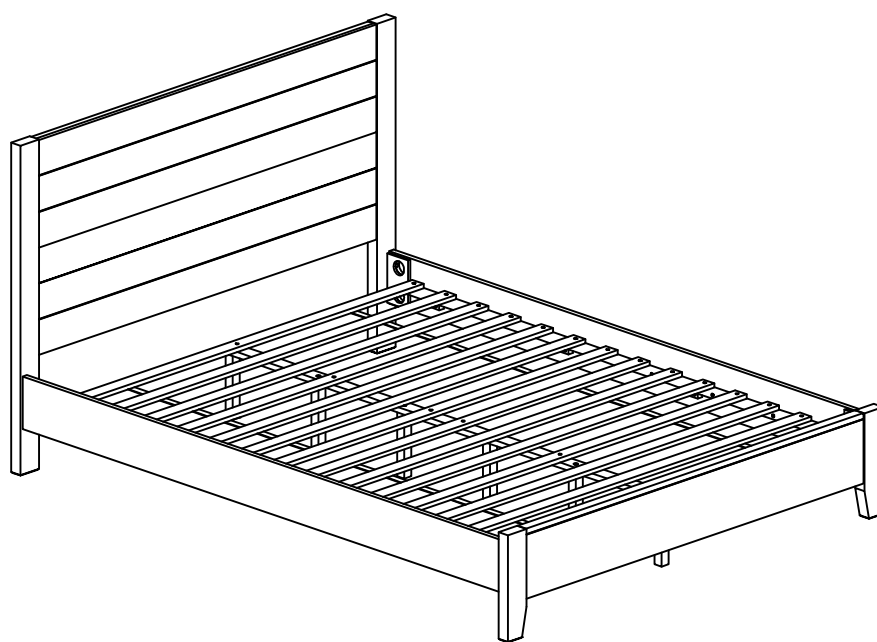


USER'S MANUAL

QUEEN SIZE SOLID WOOD BED



Guide of Manual

- Thanks for your choice. **We will do our best to provide customer service for everyone.**
- Please check to make sure all parts are included as stated when you unpack. If there are parts missing or wrong, please contact us, **we will expeditiously provide reissue accessories, compensation or other services.**
- Instruction should be read carefully. But the manual may not cover every detail of all possible situations and steps. **Please contact us if further information and help are needed. We will respond in a timely manner.**
- **Please be patient that the other items are on the way if you buy more than one product.**

Warning

- It's kindly advised to assemble this product on a carpeted floor to protect it from being scratched.
- Small parts are included. Please keep the product away from children while assembling. Do not let children play or jump on the product. Do not stand on the item or use as a step ladder.
- Please pay attention to the sharp corners during assembly. We recommend the use of gloves to prevent the undesired injury.
- Prior to use, please check to see if there's any loosening screw or part. Make sure that each screw and part is correctly installed and securely fastened.
- It's unnecessary to use electric drill. Please at a low gear if you need.

Care and Maintenance

- Use a soft, clean cloth that will not scratch the surface when dusting.
- There's no need to use furniture polish. If you need, test it first in an inconspicuous area. Using solvents of any kind on your furniture may damage the finish. Never use water to clean your furniture as it may cause damage to the finish.
- Liquid spills should be removed immediately. Gently blot the spill with a soft clean cloth to avoid rubbing.
- Oil sealing regularly is not needed.

Further Advice about the Furniture Care

- It is best to keep your furniture in a climate-controlled environment.
- Do not expose the product to the hot sun for a long time, and don't keep the item near to heat and fire sources such as heat vent, stove, fireplaces, radiators, etc.
- Following these important and helpful tips will help retain your furniture's performance even when it ages.
- Periodically (every 90 days) make sure the screws are fully tightened.

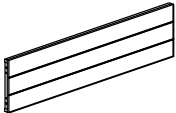
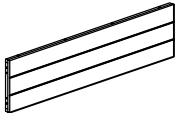


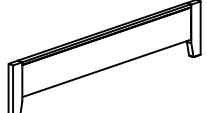
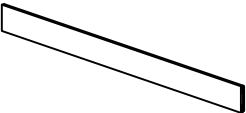
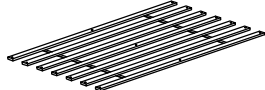


Max Weight Capacity

- **800lbs [Do not stand on the item]**

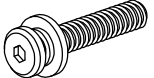





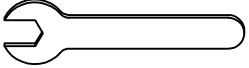

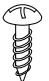
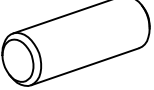
Parts and Hardware List:

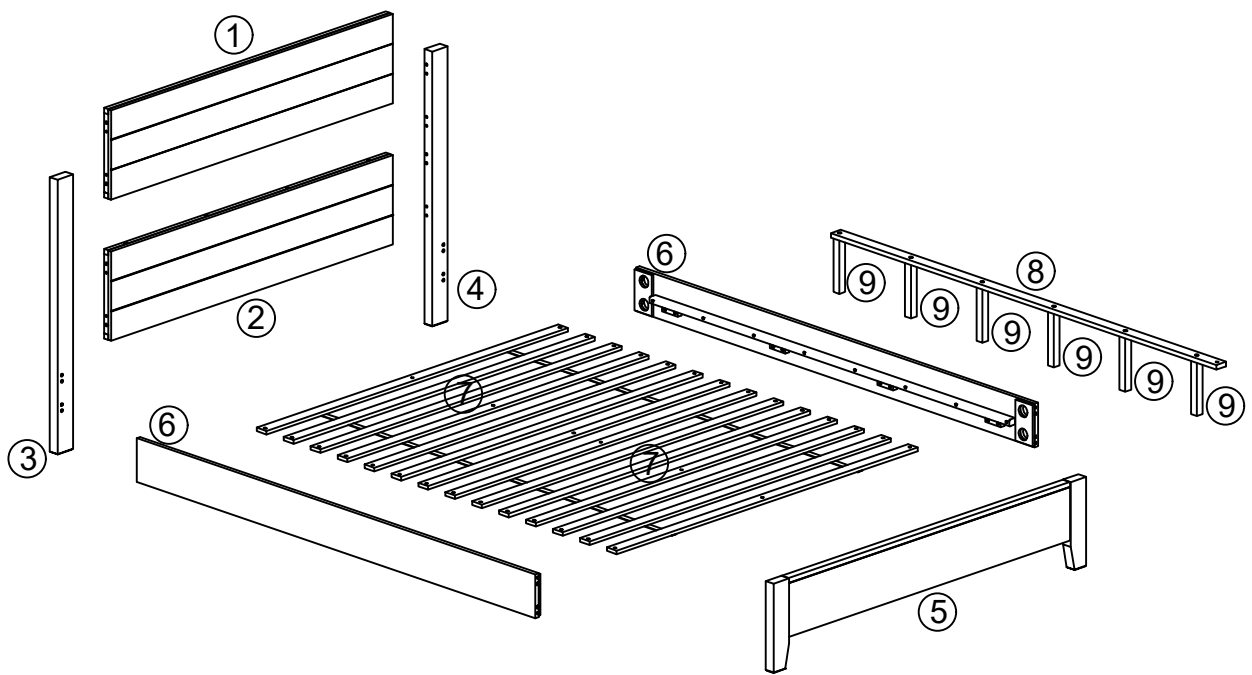
- Make sure all parts are in the package.
- "+" below list indicates that additional pieces are replacement parts.

Parts List

<p>① x 1PC Headboard Top Panel</p> 	<p>② x 1PC Headboard Bottom Panel</p> 	<p>③ x 1PC Left Headboard Leg</p> 	<p>④ x 1PC Right Headboard Leg</p> 	<p>⑤ x 1PC Footboard</p> 
<p>⑥ x 2PCS Side Rails</p> 	<p>⑦ x 2PCS Slats</p> 	<p>⑧ x 1PC Slats Support Bar</p> 	<p>⑨ x 6PCS Slat Supporting Legs</p> 	

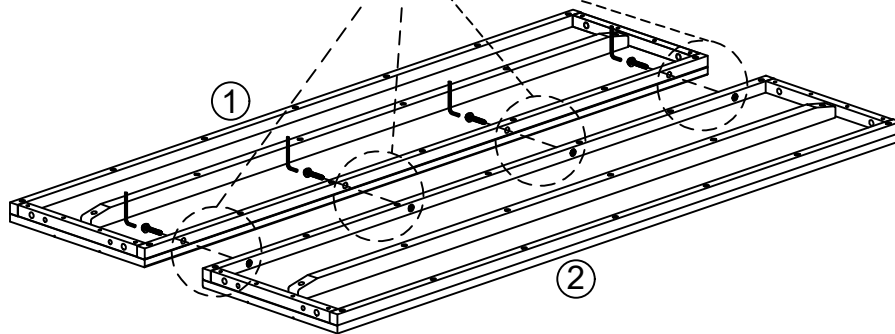
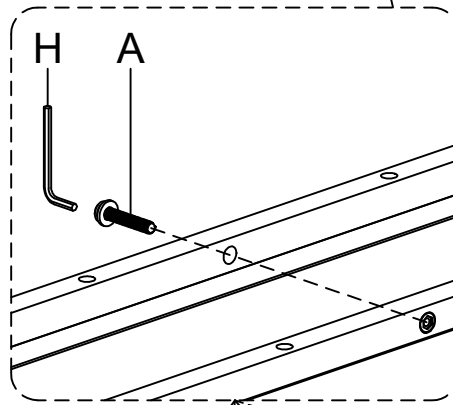
Hardware List

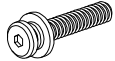

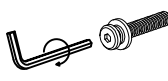

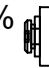

<p>A x 12+2PCS Screws</p>  <p>Ø1/4" x 40mm</p>	<p>B x 8+1PCS Spring Lock Washer</p>  <p>Ø5/16" x 1.5mm</p>	<p>C x 8+1PCS Flat Washer</p>  <p>Ø5/16" x 16 x 2mm</p>	<p>D x 8+1PCS Fully Threaded Rods</p>  <p>Ø5/16" x 75mm</p>
<p>E x 8+1PCS Half Moon Washer</p>  <p>29mmx15mmx8mm</p>	<p>F x 8+1PCS Hex Nuts</p>  <p>Ø5/16"x12mmx12mm</p>	<p>G x 1PC Wrench</p> 	<p>H x 1PC Allen Wrench</p>  <p>4mm</p>
<p>J x 35+15PCS Wood Screw</p>  <p>Ø8 x 28mm</p>	<p>K x 16+4PCS Wooden Dowel Pins</p>  <p>Ø10 x 30mm</p>	<p>Tools Required (Not provided) Cross-head Screwdriver</p>	



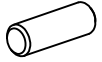
1 Please tighten A to 100 %.

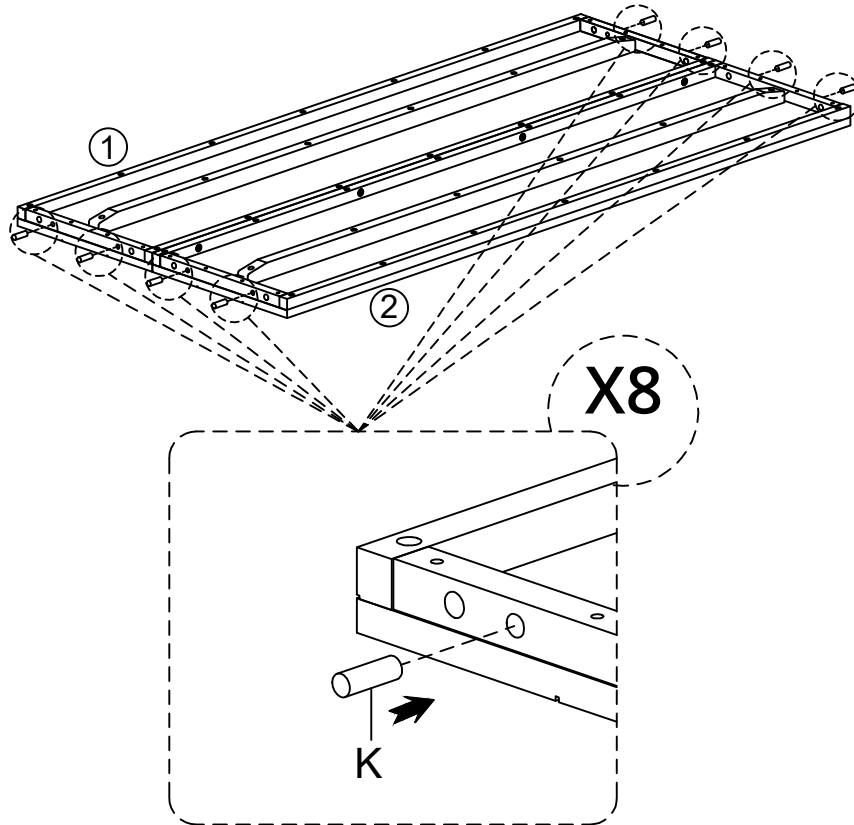
X4



A		4
H		1
	100%	
	80%	
	100%	

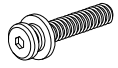

2 Attach all K to ① and ②.

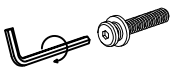


K  8

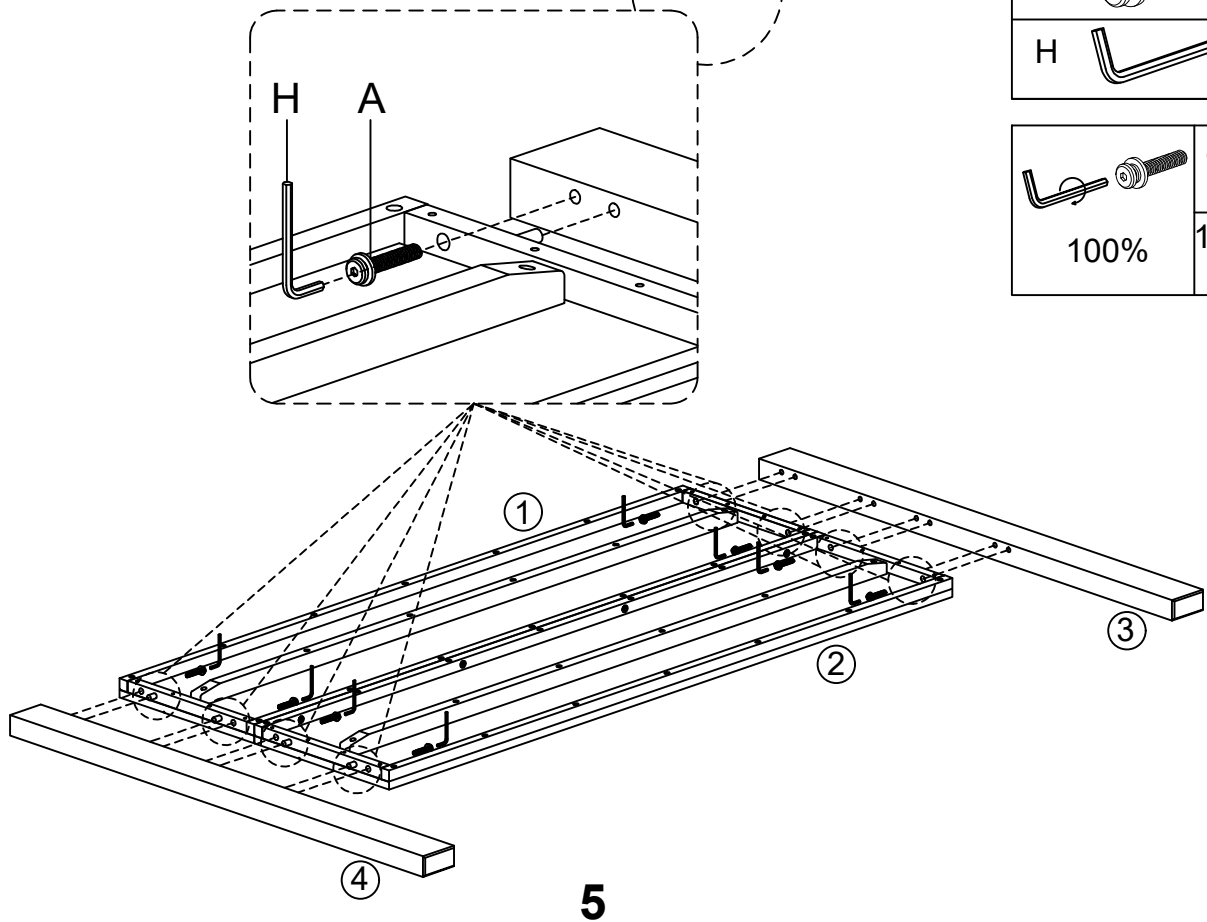


3 Please tighten A to 100 %.

X8

A		8
H		1

 100%	80% X	
	100% ✓	

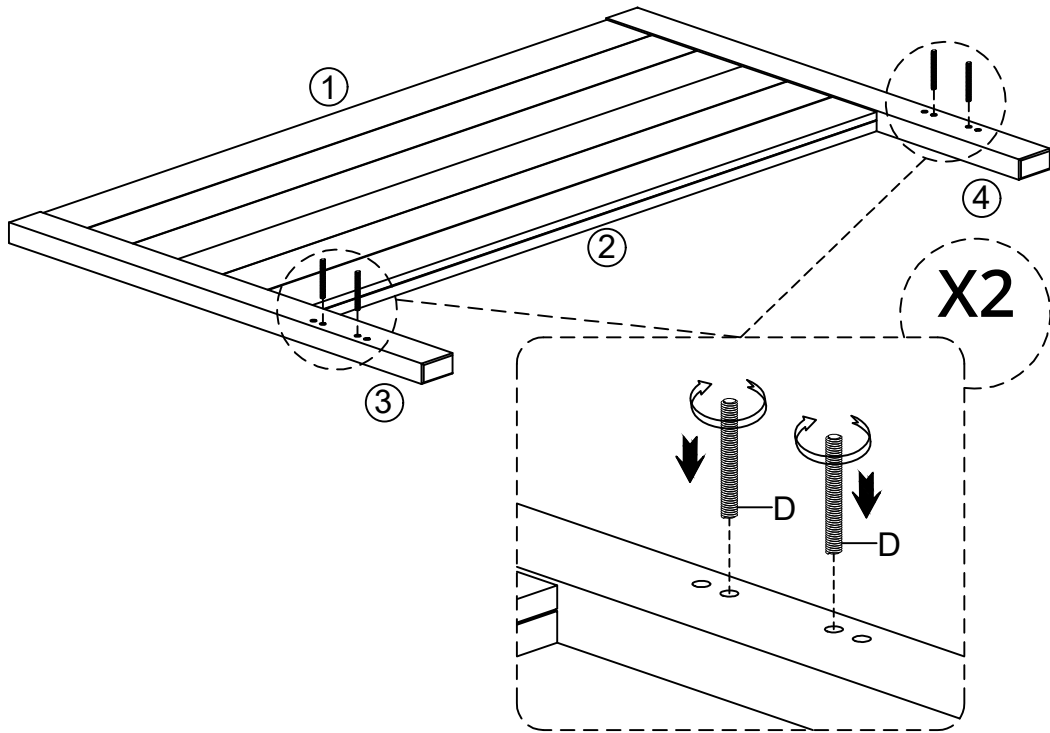


4 Attach all D to ③ and ④.

D



4

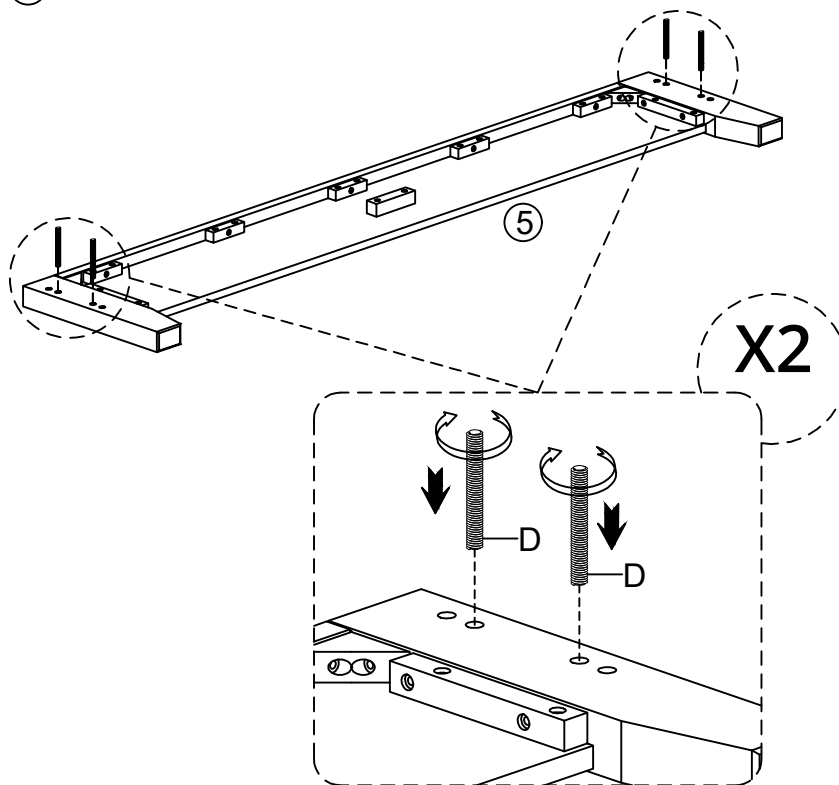


5 Attach all D to ⑤.

D

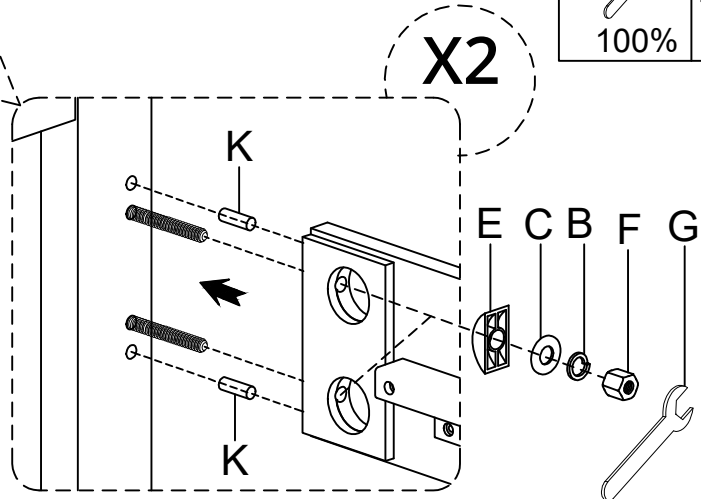
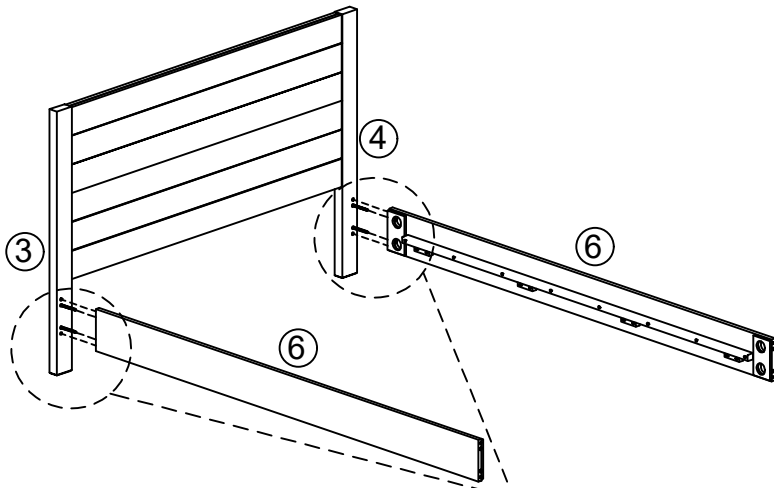


4



6

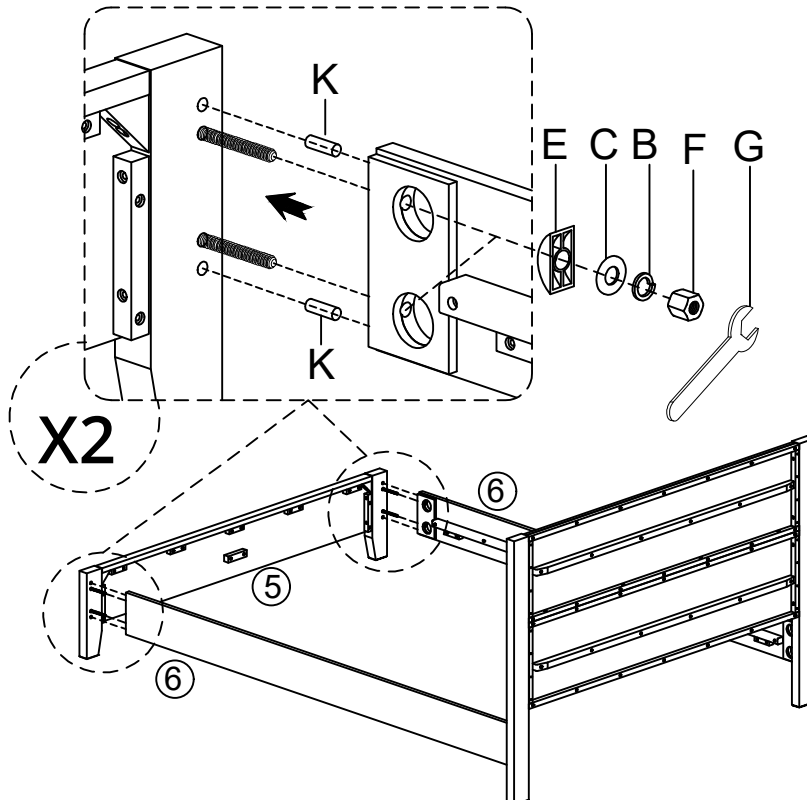
6 Connect the Rails (6) to (3) (4), and then place the K, E, C, B, F into the holes in turn and tighten with G.



E		4
B		4
C		4
F		4
G		1
K		4

	80%	
	100%	

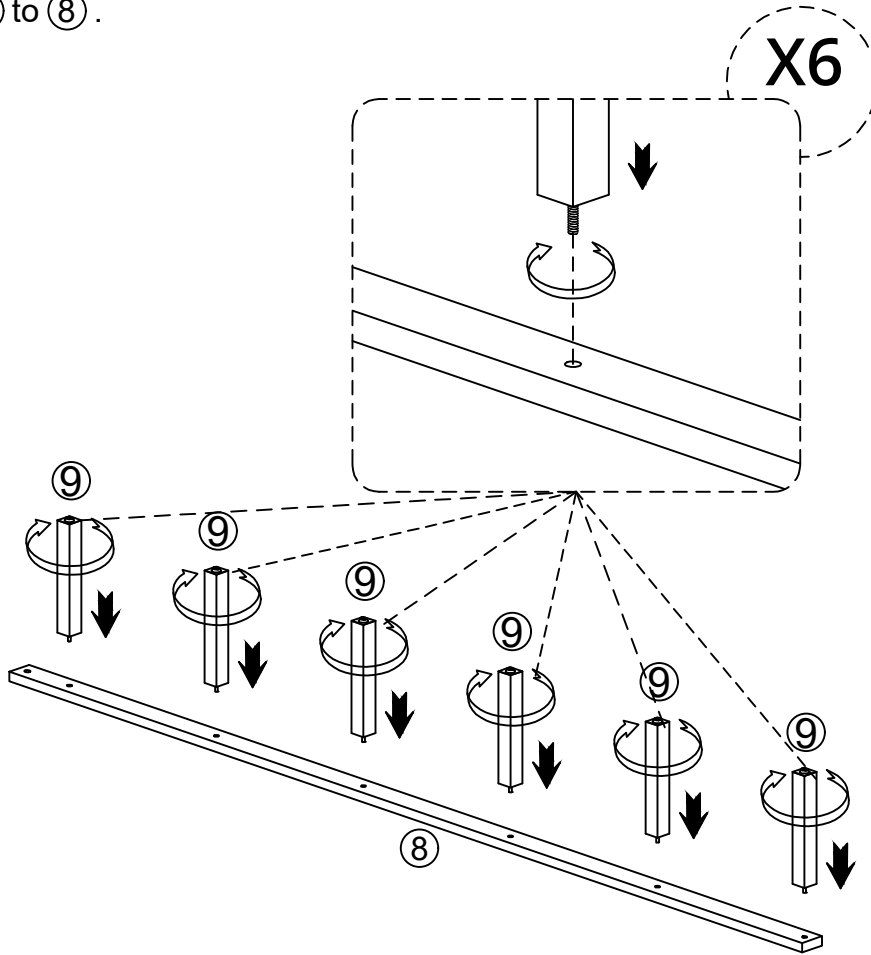
7 Connect the Rails (6) and (5), and then place the K, E, C, B, F into the holes in turn and tighten with G.



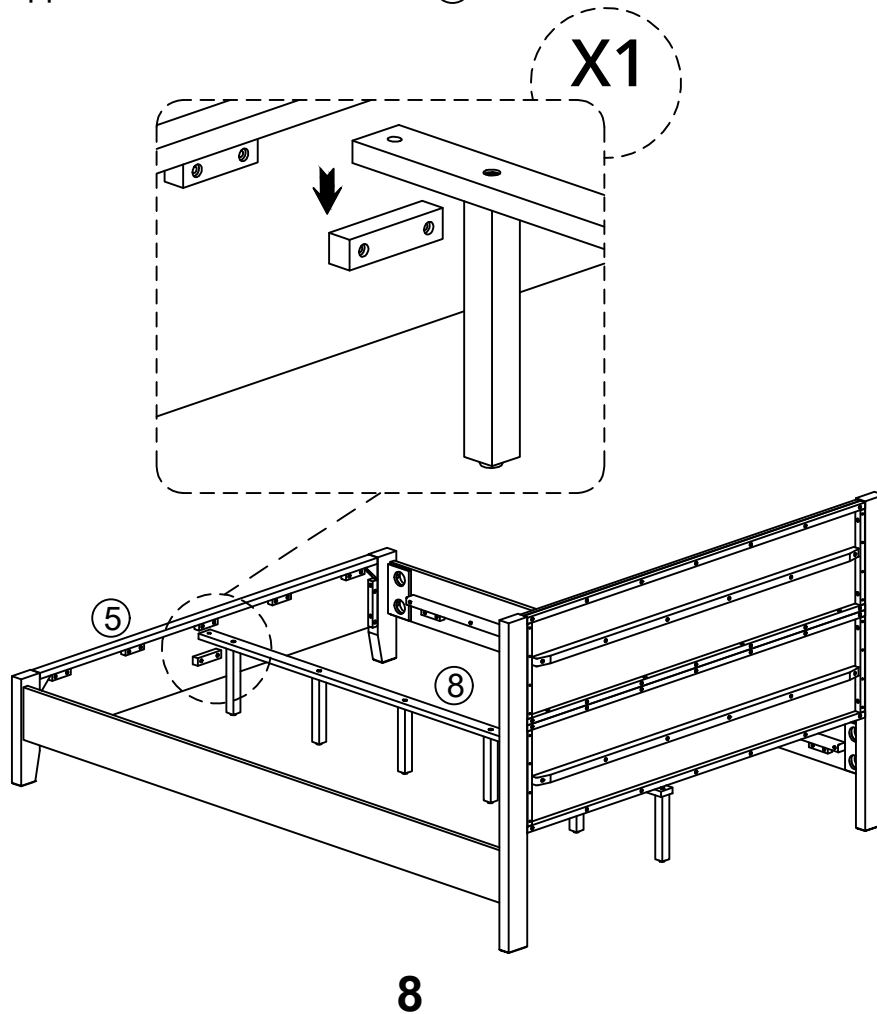
E		4
B		4
C		4
F		4
G		1
K		4

	80%	
	100%	

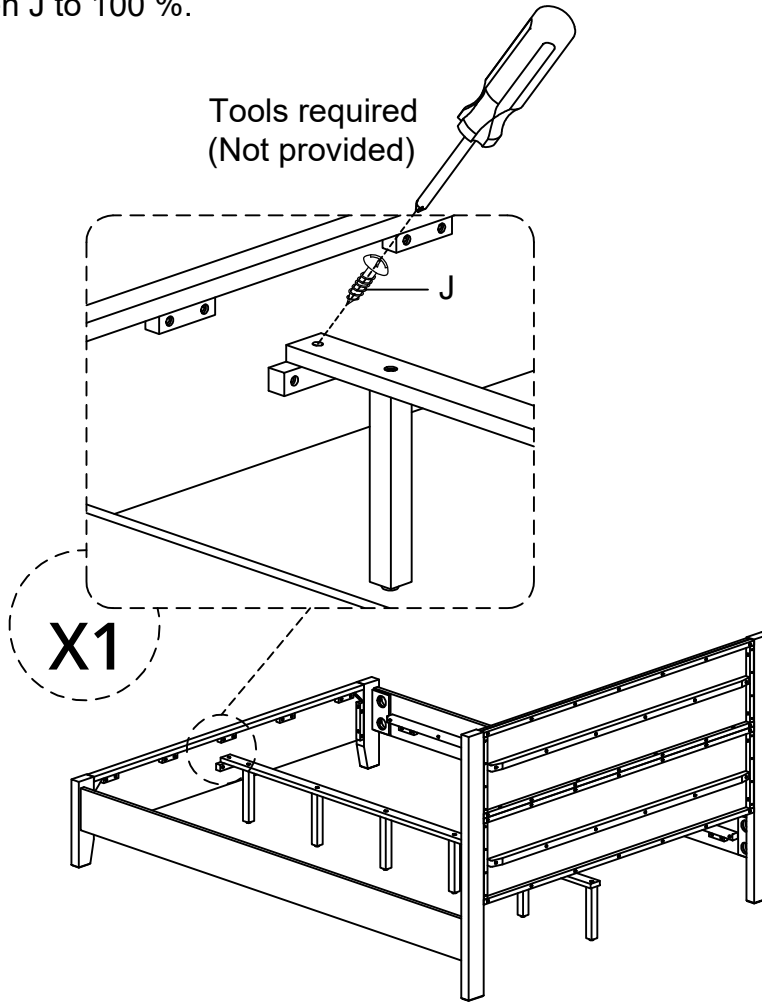
8 Attach all ⑨ to ⑧.



9 Place ⑧ on the support block of the footboard ⑤.

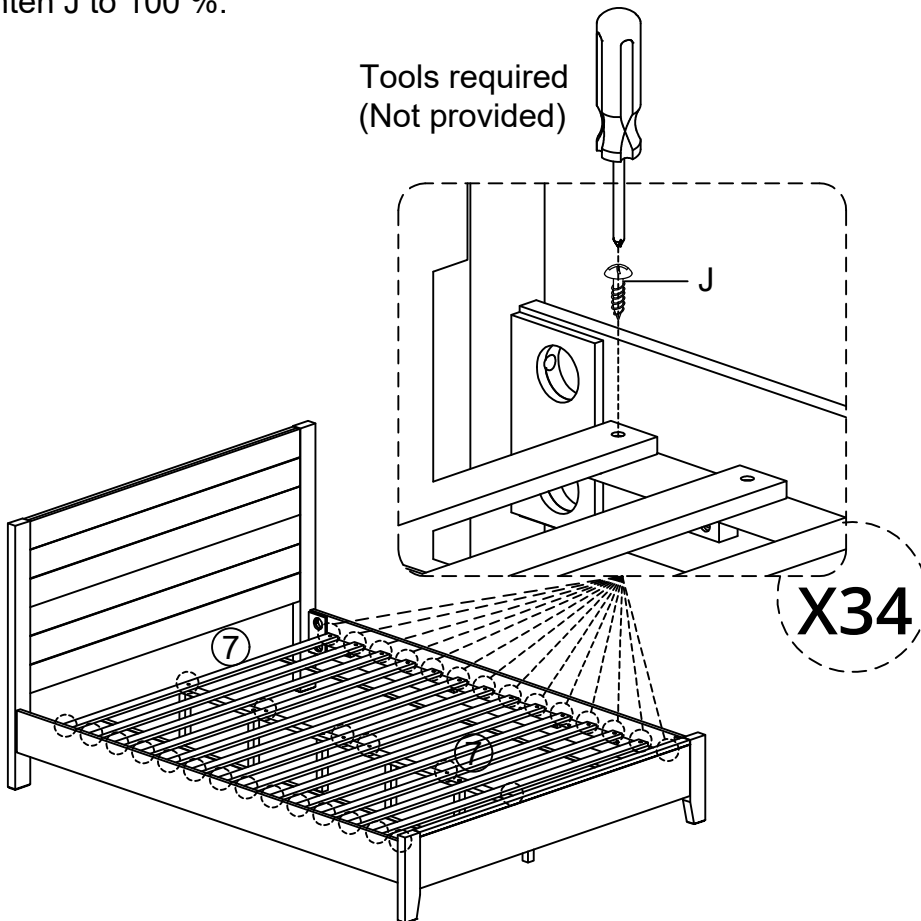


10 Please tighten J to 100 %.



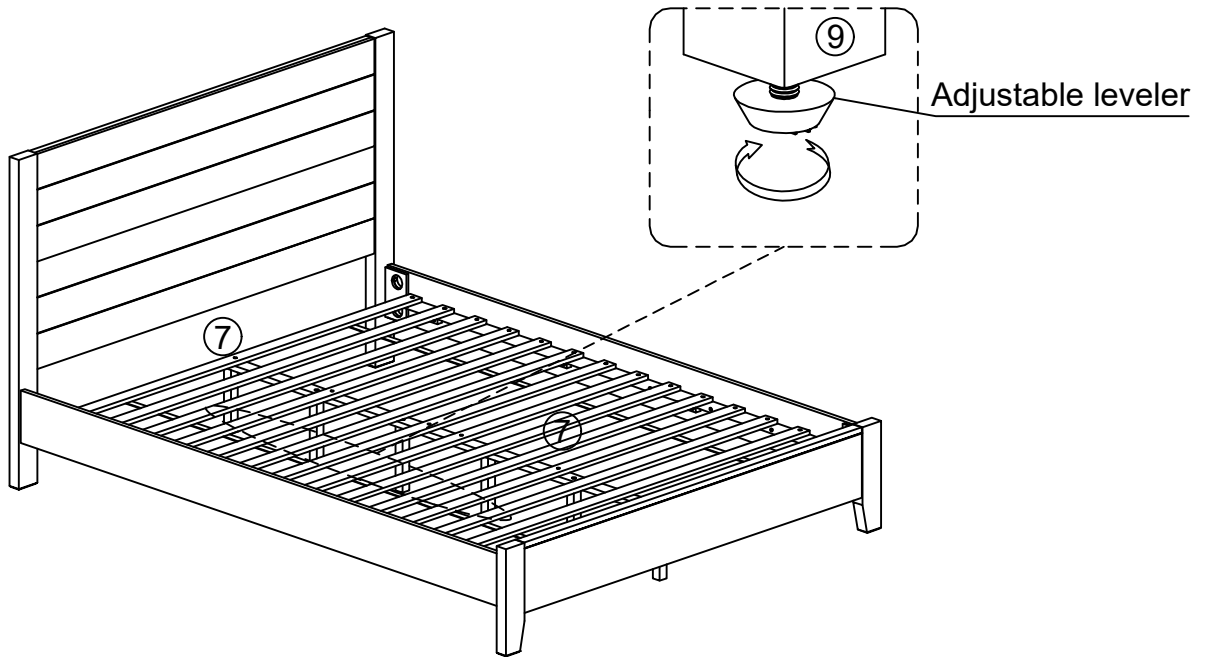
J		1
	80% X	
100%	100% ✓	

11 Please tighten J to 100 %.



J		34
	80% X	
100%	100% ✓	

12 If it feels uneven on the floor, first tighten all the screws, then adjust the leveling feet of the legs ⑨ for balance.



FINISHED

