






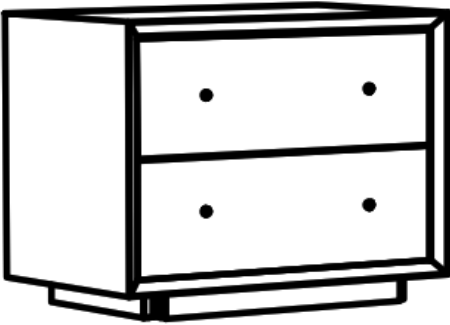
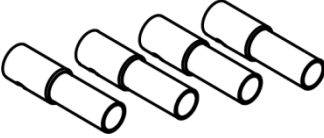
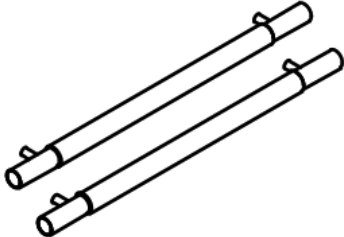
# ASSEMBLY INSTRUCTIONS

1270014

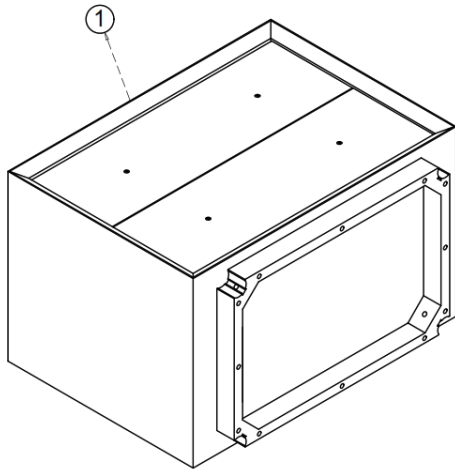
## HARDWARE

<p>Ax4</p>  <p>M6 x 45 mm</p>	<p>Bx4</p>  <p>Ø17 x 1.5 mm</p>	<p>Cx4</p>  <p>Ø13 x 1.5 mm</p>	<p>Dx1</p>  <p>4 mm</p>	<p>Ex4</p>  <p>M4 x 20 mm</p>
--	--	--	--	--

## PARTS

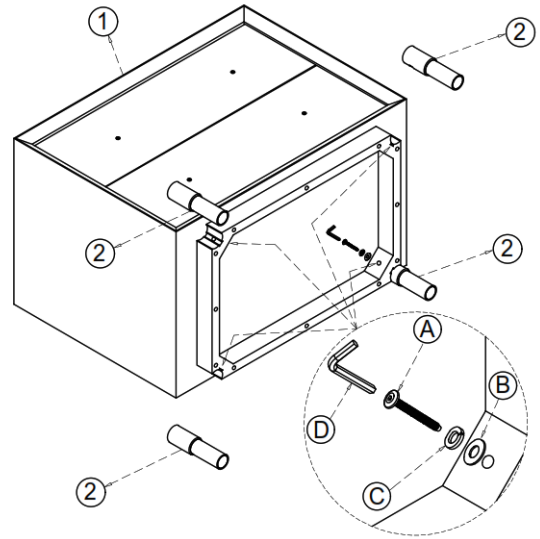
<p>1x1</p> 	<p>2x4</p> 	<p>3x2</p> 
--	---	--

(1)



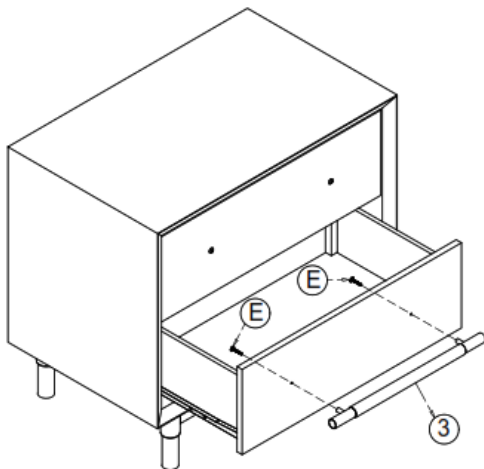
- Place Nightstand (1) in the position as shown in the picture.

(2)



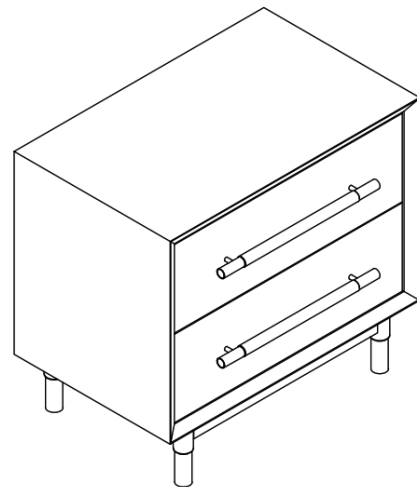
- Place the Leg (2) in the hole provided at the bottom of the Nightstand (1), then insert the Bolt (A) with the Flat Washer (B) and Spring Washer (C) then tighten with the Allen key (D).
- Do the same with the other legs.

(3)



- Open the drawer and take out the wooden handle (3) that is installed inside the drawer then install the wooden handle (3) so that it is outside the drawer.
- Insert the Bolt (E) into the hole provided as shown in the picture
- Do the same thing with the other drawer.

(4)



- Completed