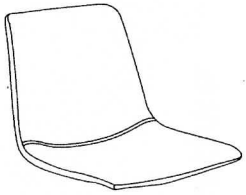
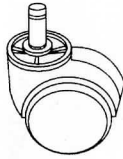


# ASSEMBLY INSTRUCTION

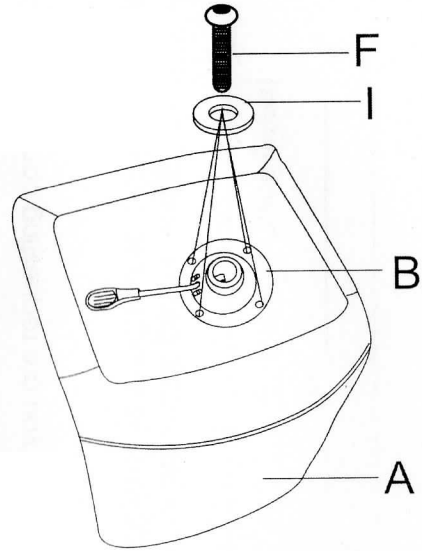
Ax1



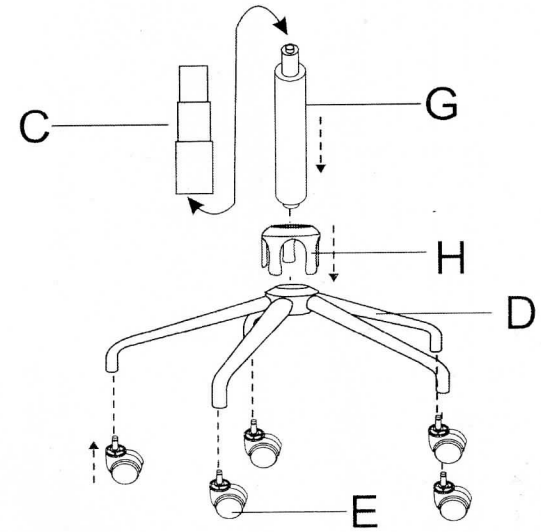
Ex5



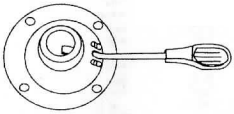
1



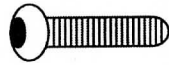
2



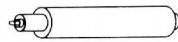
Bx1



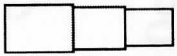
Fx4



Gx1



Cx1



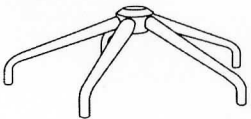
Hx1



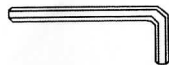
Ix4



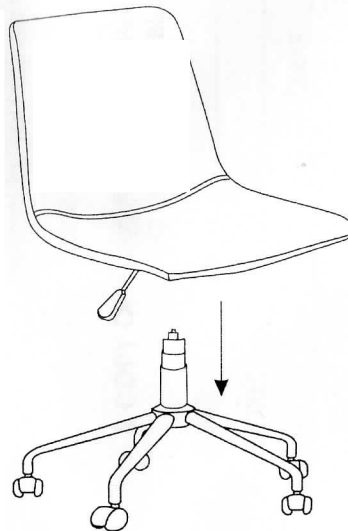
Dx1



Jx1



3



4

