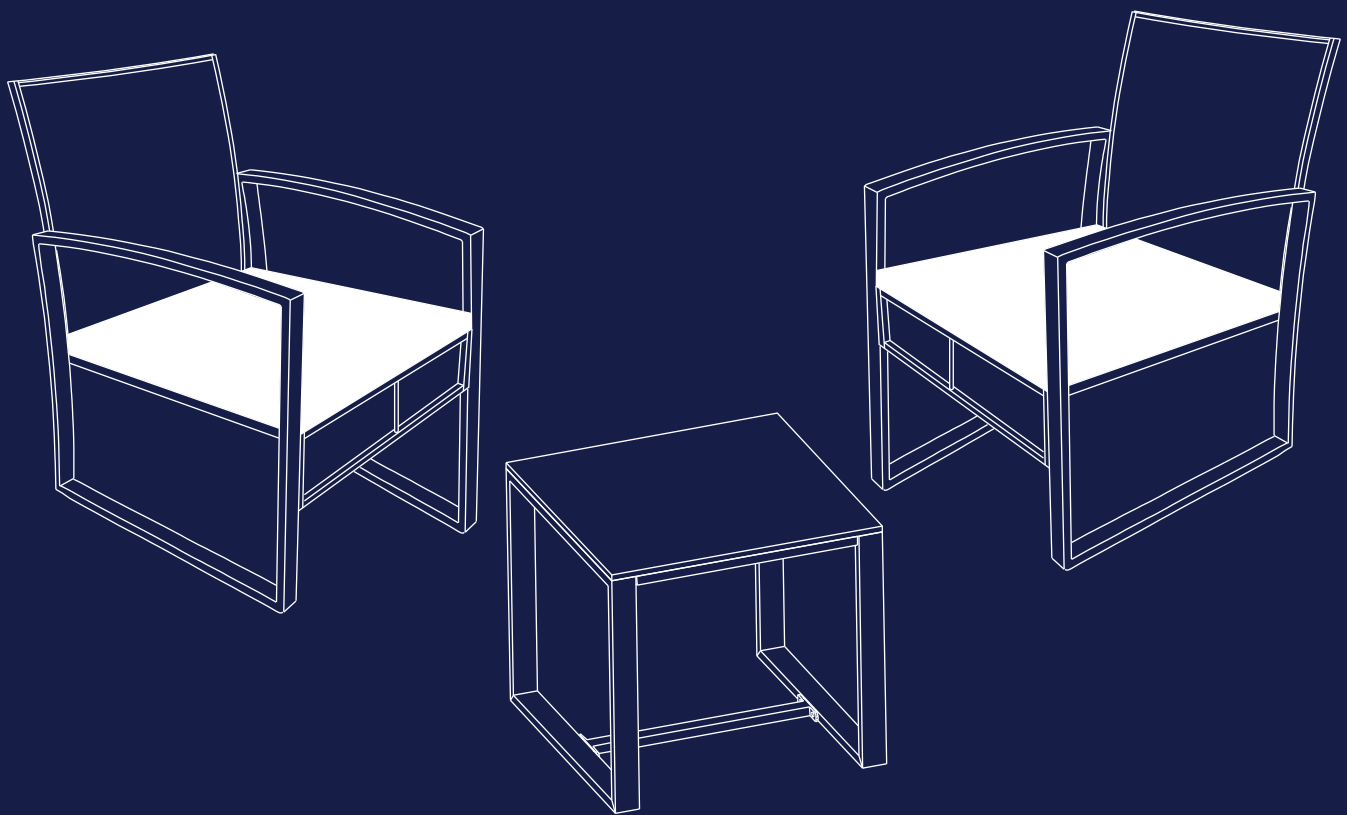

INSTRUCTION MANUAL



OUTDOOR WICKER FURNITURE SET

Customer Service Team

We are honored that when it comes to furnifure, you think of us. There are multiple choices out there but you singled us. We appreciate your choosing to do your shopping with us and want to be certain that you're satisfied with your transaction. We hope you enjoy our product as much as we enjoy creating the brand that you think of first.

If you have any questions, please contact us through Amazon. If you are satified with the product, after receiving the package, you can share your shopping experience with others. Thank you very much. Have a nice day.

⚠ NOTICE

- Prior to first usage check to confirm all bolts, screws, and fasteners are tightened.
- We recommend periodically checking that all bolts, screws, and fasteners are securely tightened. We suggest doing this every 90 days.
- During assembly do not fully tighten screws until assembly complete.
- Do not store this product near an open flame or combustible or flammable chemicals.
- Carefully inspect all parts prior to assembly to avoid any component which might have a sharp or unfinished edge.
- During inspection should you notice any component which is damaged or worn, replace it before resuming use.
- Do not use this item in a way inconsistent with the manufacturer’s instructions as this could void the product warranty.
- Please do not allow the parts to come into direct contact with the ground to prevent the parts from being scratched.

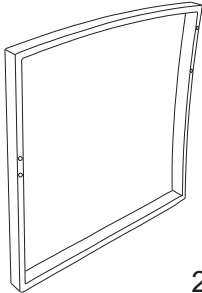
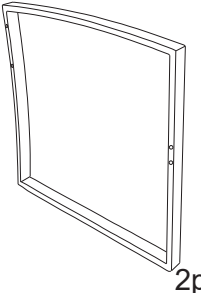
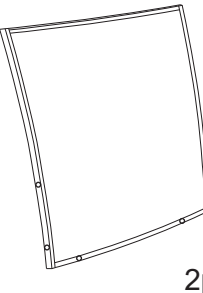
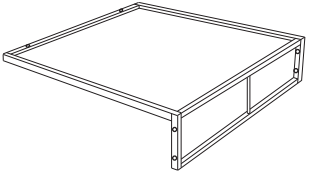
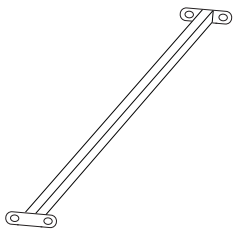
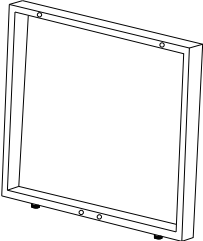
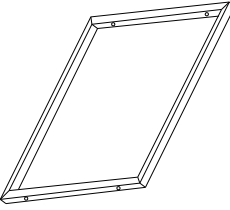
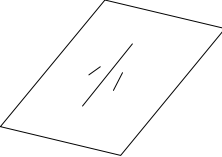
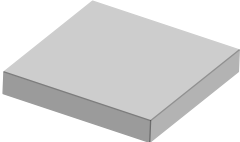
TOOLS PROVIDED



SCREW BAG

<p>J1 SCREW</p> <p>M6x20 4pcs</p>	<p>J2 SCREW</p> <p>M6x25 4pcs</p>	<p>J3 SCREW</p> <p>M6x30 8pcs</p>
<p>J4 SCREW</p> <p>M6x35 12pcs</p>	<p>I WASHER</p> <p>M6 28pcs</p>	<p>K WRENCH</p> <p>1pc</p>

PARTS

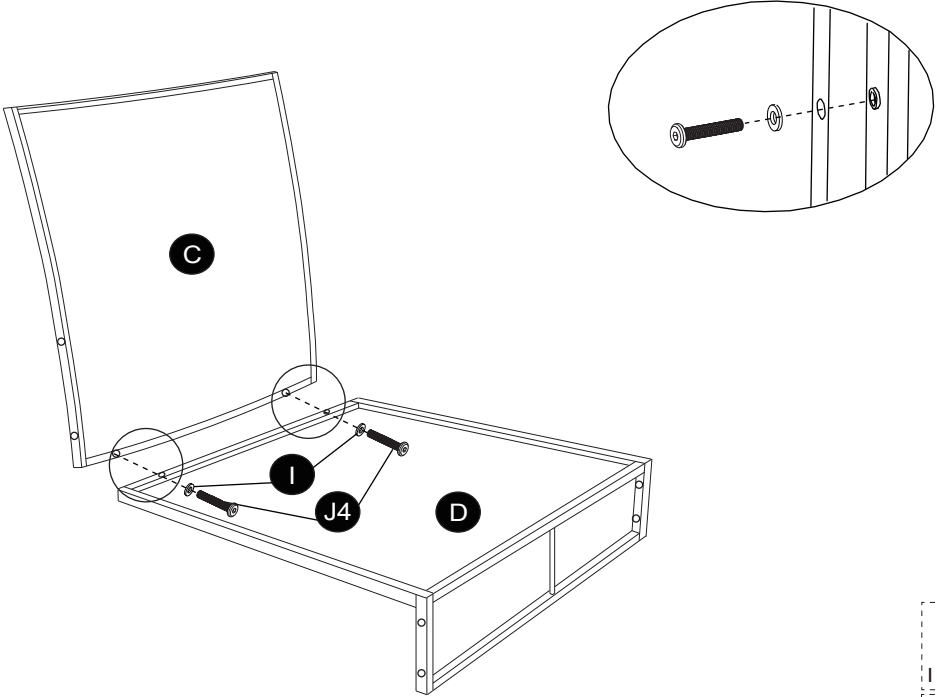
<p>A RIGHT ARMREST</p>  <p>2pcs</p>	<p>B LEFT ARMREST</p>  <p>2pcs</p>	<p>C CHAIR BACKREST</p>  <p>2pcs</p>	<p>D SEAT BOARD</p>  <p>2pcs</p>	
<p>E TABLE LEG SUPPORT</p>  <p>1pc</p>	<p>F TABLE LEG</p>  <p>2pcs</p>	<p>G TABLE TOP</p>  <p>1pc</p>	<p>H GLASS</p>  <p>1pc</p>	<p>L SAET CUSHION</p>  <p>2pcs</p>

PRODUCT ASSEMBLY - CHAIR



Tight all the screws to 60% first then tight to 100%.

1 Attach part C back board to part D seat board with 2 part J4 screws and 2 part I washers.



I	M6	x2
J4	M6x35	x2

x2

PRODUCT ASSEMBLY - CHAIR

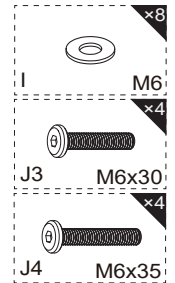
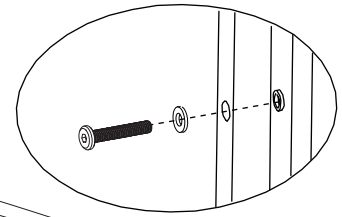
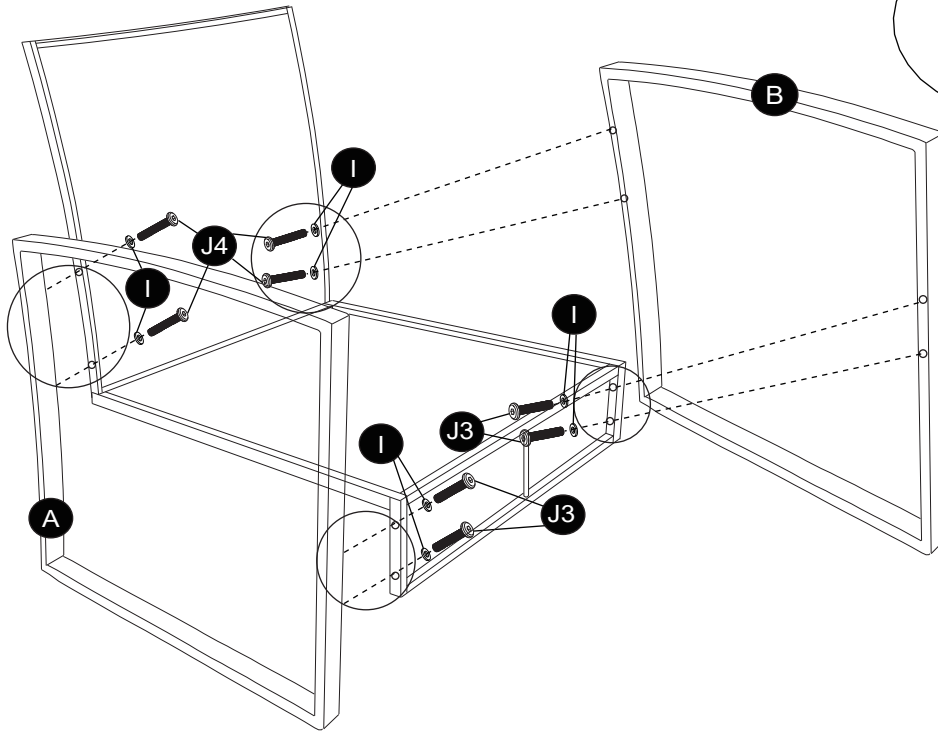


Tight all the screws to 60% first then tight to 100%.

2

Attach part A and part B right / left arm board to part C back board and part D seat board with 4 part J4 screws, 4 part J3 screws and 8 part I washers.

Repeat for another chair.



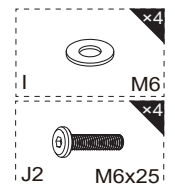
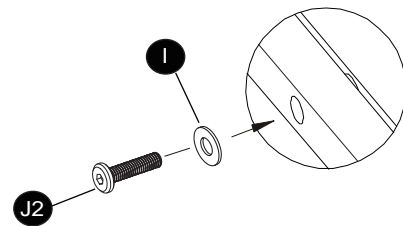
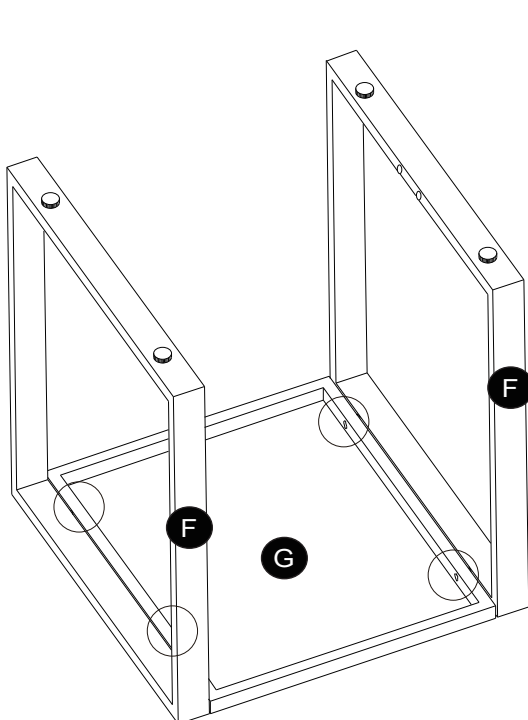
PRODUCT ASSEMBLY - TABLE



Tight all the screws to 60% first then tight to 100%.

1

Attach 2 part F table legs to part G table top with 4 part J2 screws and 4 part I washers.



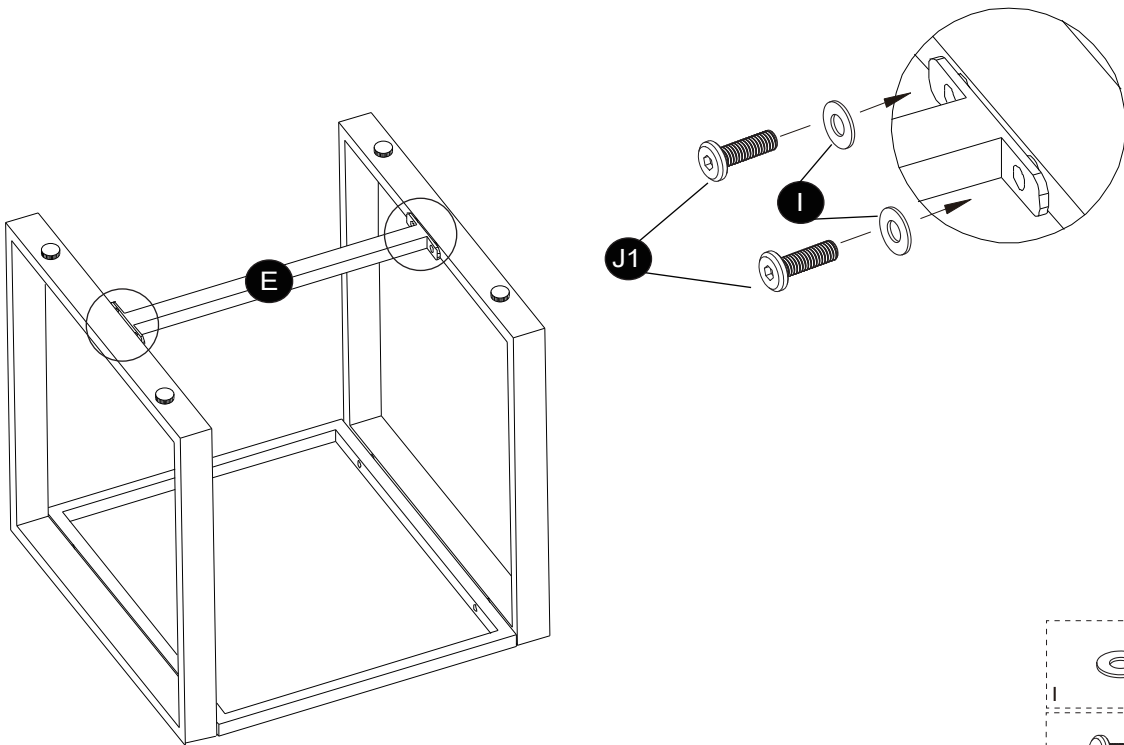
PRODUCT ASSEMBLY - TABLE



Tight all the screws to 60% first then tight to 100%.

2

Attach part E table leg support to part F table leg with 4 part J1 screws and 4 part I washers.



PRODUCT ASSEMBLY - FINAL

1

Place part H glass.
Place part L seat cushion.

