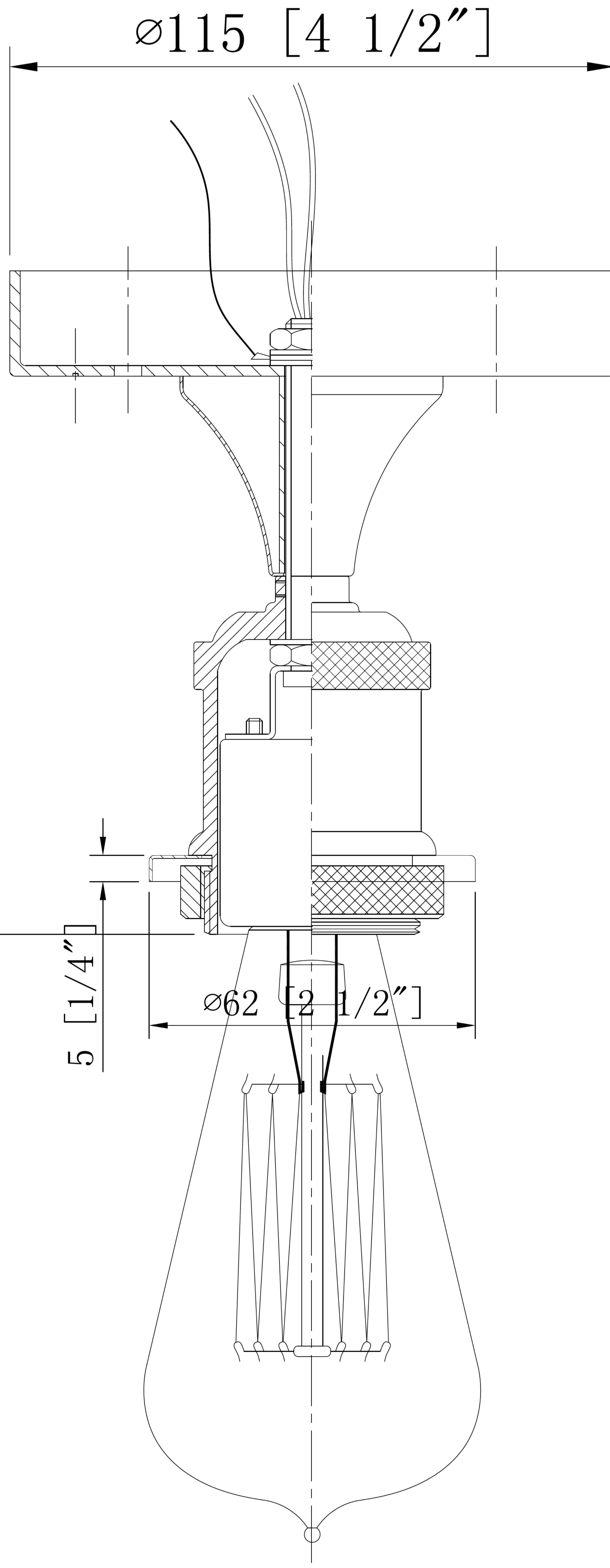


$\phi 10$  [ $\phi 3/8$ "]

126 [5"]



$\phi 115$  [4 1/2"]

$\phi 62$  [2 1/2"]

5 [1/4"]

ITEM: