

WARRANTY

WARRANTY CLAIMS

- There is a 30-day warranty for broken furniture or any other problems that do not work properly. The warranty will start from the date of purchase which must be verified by proof of purchase.
- The product must be used in accordance with the instructions provided. For health reasons.
- For other reasons, if the furniture needs to be returned, it must be cleaned and dried and operated within 30 days of receipt.

Type of Warranty Claim

- Failure to follow the furniture instructions will invalidate the warranty. Attention please.
- Does not include damage during installation, but includes damage during transportation.

Scope of responsibility

- Shall not bear any responsibility for misuse or user damage and / or loss of parts during the installation of furniture.
- After using, the damage and scratches of the furniture are not covered by the warranty.

The Warranty Relates to All Bought in The Us and Covers The Following Areas

- Sheet parts: 1 month from the date of purchase.
- Electrical parts: 1 month from the date of purchase.

IMPORTANT INFORMATION!

•please read the entire manual before starting to assemble and/or using this product. follow the manual thoroughly and keep it for further reference.

AVOID SCRATCHES!

•In order to avoid scratching this furniture should be assembled on a soft layer-could be a rug.

IMPROVE EFFICIENCY !

•Try to find a partner to install with you, which can speed up the installation efficiency and shorten the time.

IMPORTANT !

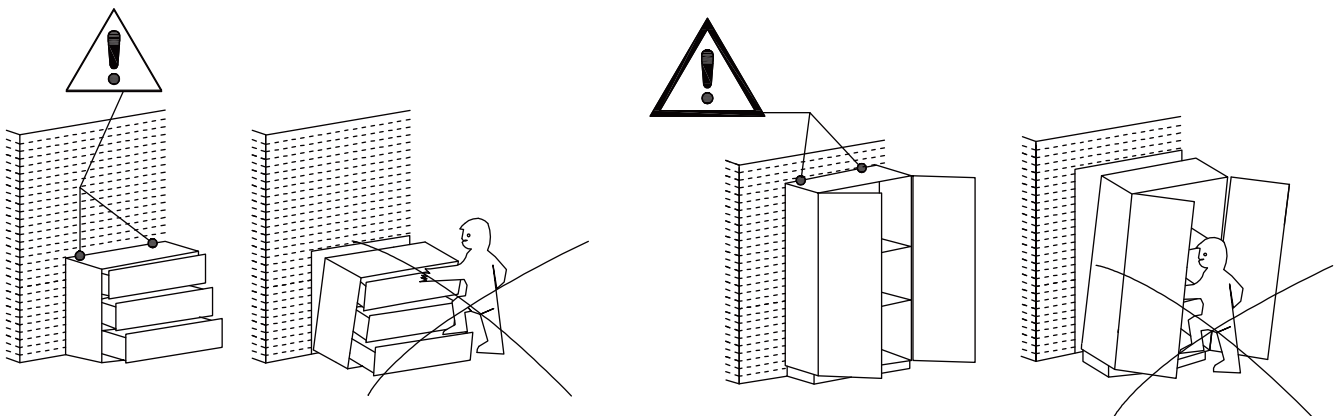
•It is important that any product which is assembled using any kind of screw is re-tightened 2 weeks after assembly, and once every 3 months - in order to assure stability through-out the lifespan of the product.

•For regular maintenance and cleaning of the product, for the frame, please use a rag dipped in neutral detergent to fully wipe it, and then dry it with a clean rag. For glass materials, wipe with a rag dampened with water glass cleaner, and then dry with a dry rag.

•Do not use an electric screwdriver, and do not use too much force when installing, because the board is easy to break.

ANTI-TOPPLE WARNING !

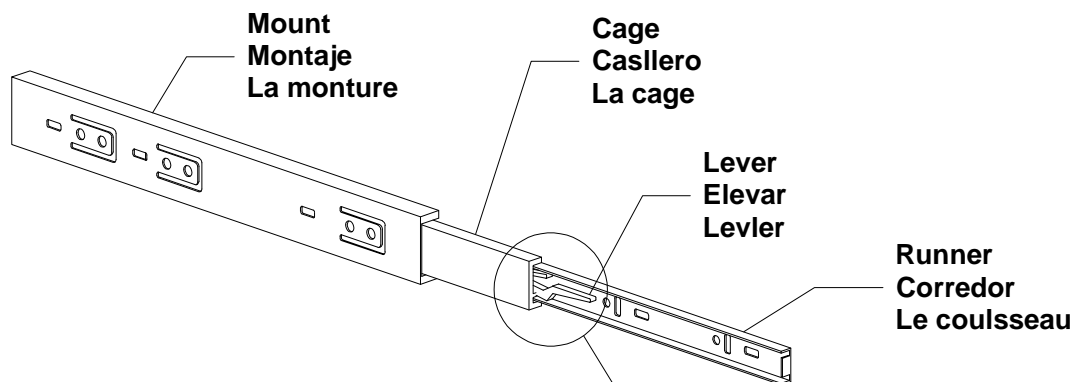
Overtured furniture can cause serious or fatal crush injuries. To prevent tipping over, be sure to use the wall attachment, if not included with this product. Please purchase the wall attachment that fit your wall. If unsure, seek professional advice. Please read and follow each step of the instructions carefully.



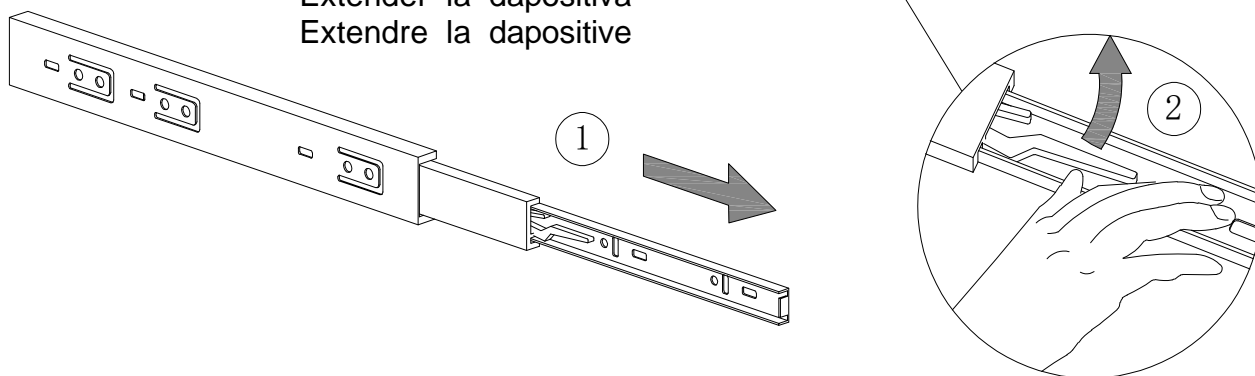
**Slides Must be Separated Before Assembly.
After Separated, Set Aside Until Needed for Assembly.**

Las diapositivas deben separarse antes del montaje.
Después de la separación, déjelo a un lado hasta que sea necesario.

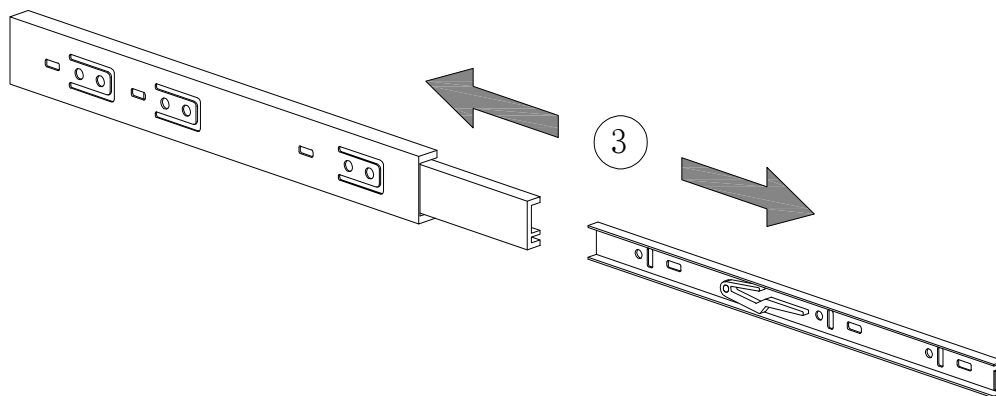
Les glissières doivent être séparées avant l'assemblage.
Après la séparation, mettez de côté jusqu'au moment de l'assemblage.



Step 1: Extend slide
Extender la dapositiva
Extendre la dapositive

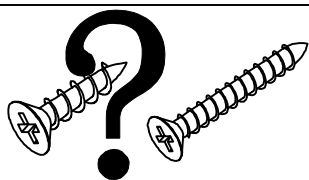
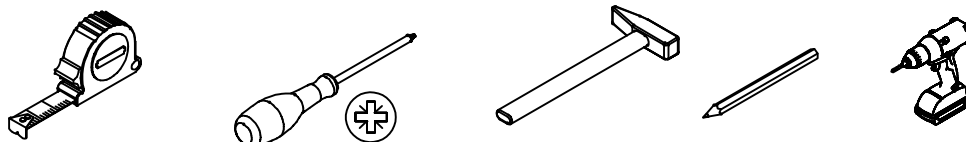


Step 3: Remove Runner
Quitar el corredor
Enlever le coureur



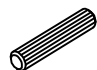
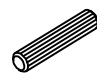
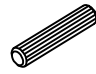
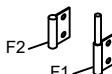

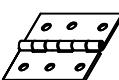
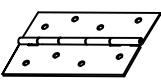



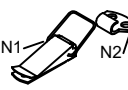
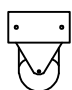




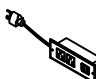
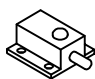







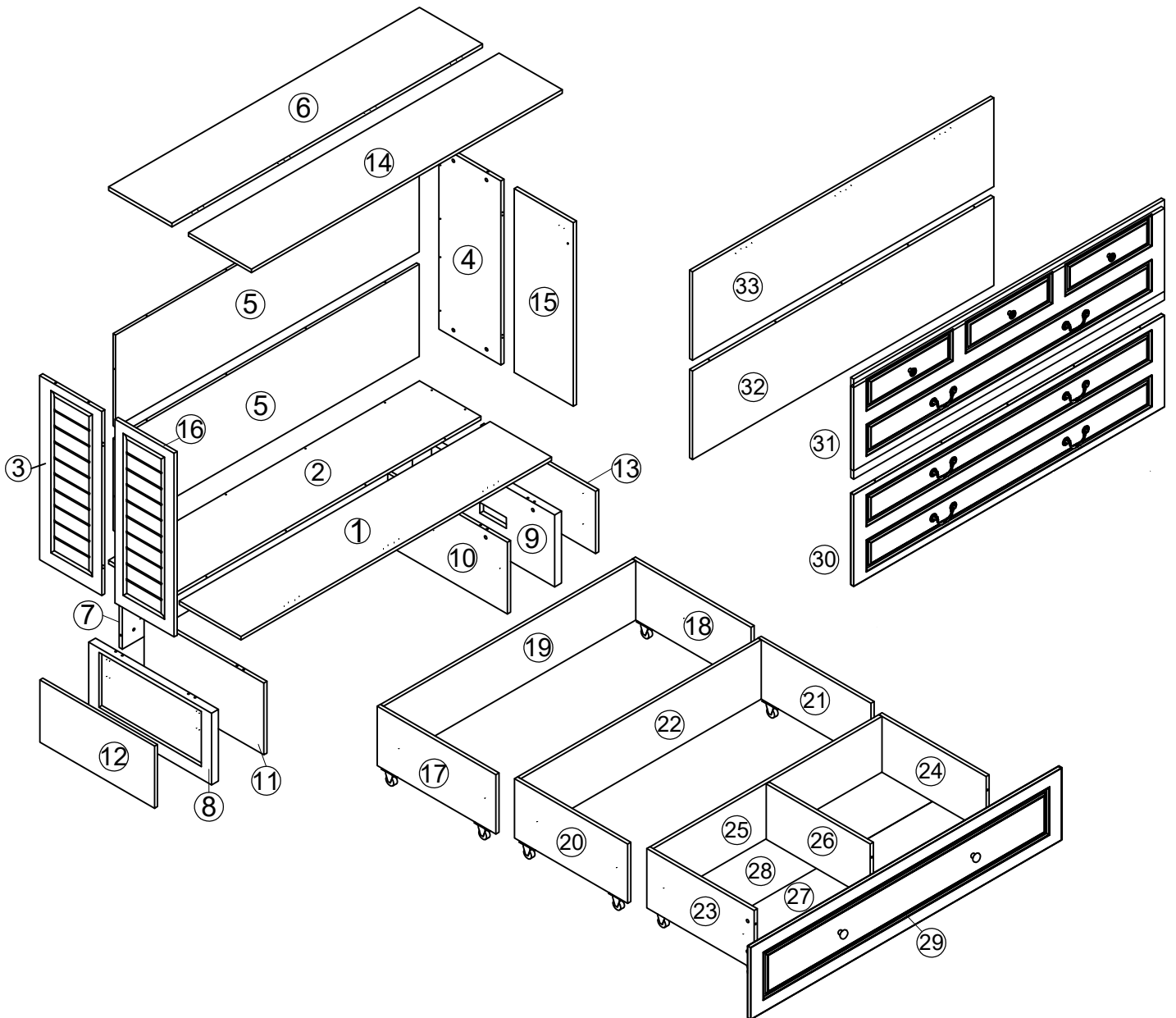
Step 2: Push Lever Up
Empujar hacia arriba
Lever le levier

Please prepare the following tools



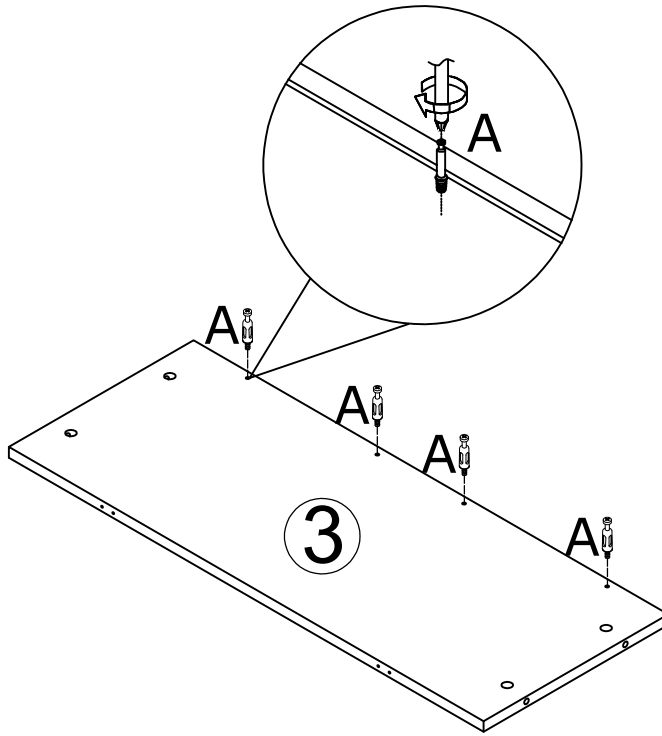
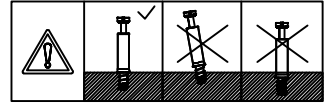
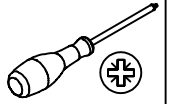
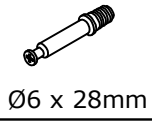
When installing, please carefully confirm whether each screw corresponds to the manual, accessories with similar shapes can be distinguished by size

<p>A x 72</p>  <p>Ø6 x 28mm</p>	<p>B x 72</p>  <p>Ø15 x 10mm</p>	<p>C x 8</p>  <p>Ø8 x 30mm</p>	<p>D x 14</p>  <p>Ø8 x 40mm</p>	<p>E x 8</p>  <p>Ø6x 40mm</p>	<p>F x 4</p>  <p>60 X 24mm</p>
<p>G x 48</p>  <p>Ø3 x 14mm</p>	<p>H x4</p>  <p>60 x 38mm</p>	<p>I x 6</p>  <p>100*70mm</p>	<p>J x 190</p>  <p>Ø3.5 x 14mm</p>	<p>K x 4</p>  <p>Ø7 x 38mm</p>	<p>M x 3</p>  <p>500mm</p>
<p>N x 2</p> 	<p>O x 12</p>  <p>H52mm</p>	<p>P x 24</p>  <p>Ø3.5 x 25mm</p>	<p>Q x 8</p>  <p>25 x 15 x 15mm</p>	<p>R x 12</p>  <p>Ø15 x 6mm</p>	<p>S x 4</p>  <p>195 x110 x 30mm</p>
<p>T x 1</p>  <p>161X54X40mm</p>	<p>U x 2</p> 	<p>V x 2</p>  <p>300 x 25mm</p>	<p>W x 6</p>  <p>Ø80 x 2mm</p>	<p>X x 19</p>  <p>Ø4 x 18mm</p>	<p>Y x 3</p> 
<p>Z x 8</p> 					



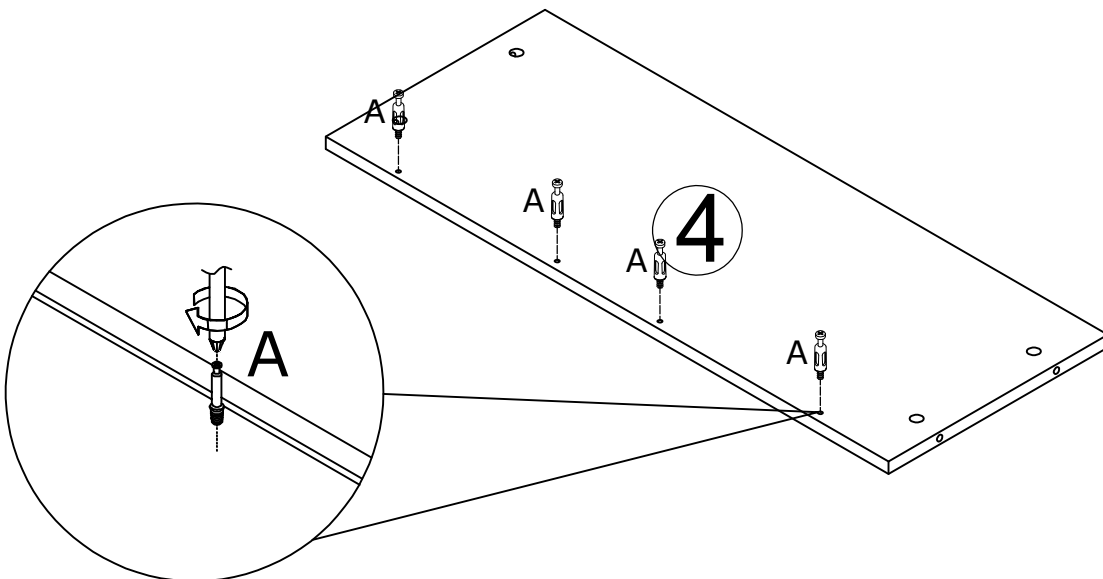
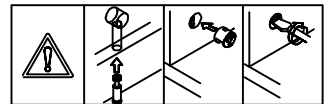
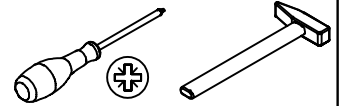
1

A x 4



2

A x 4

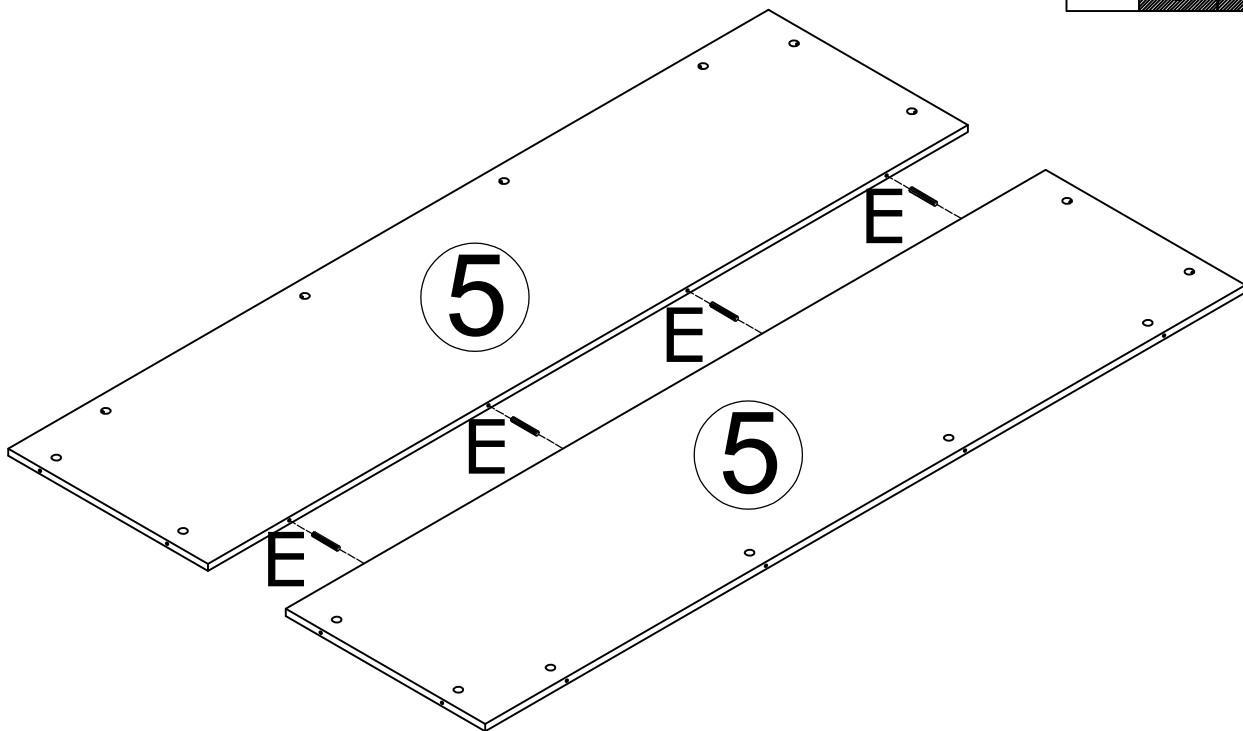
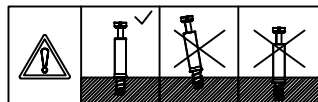
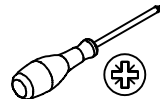


3

E x 4



Ø6 x 40mm

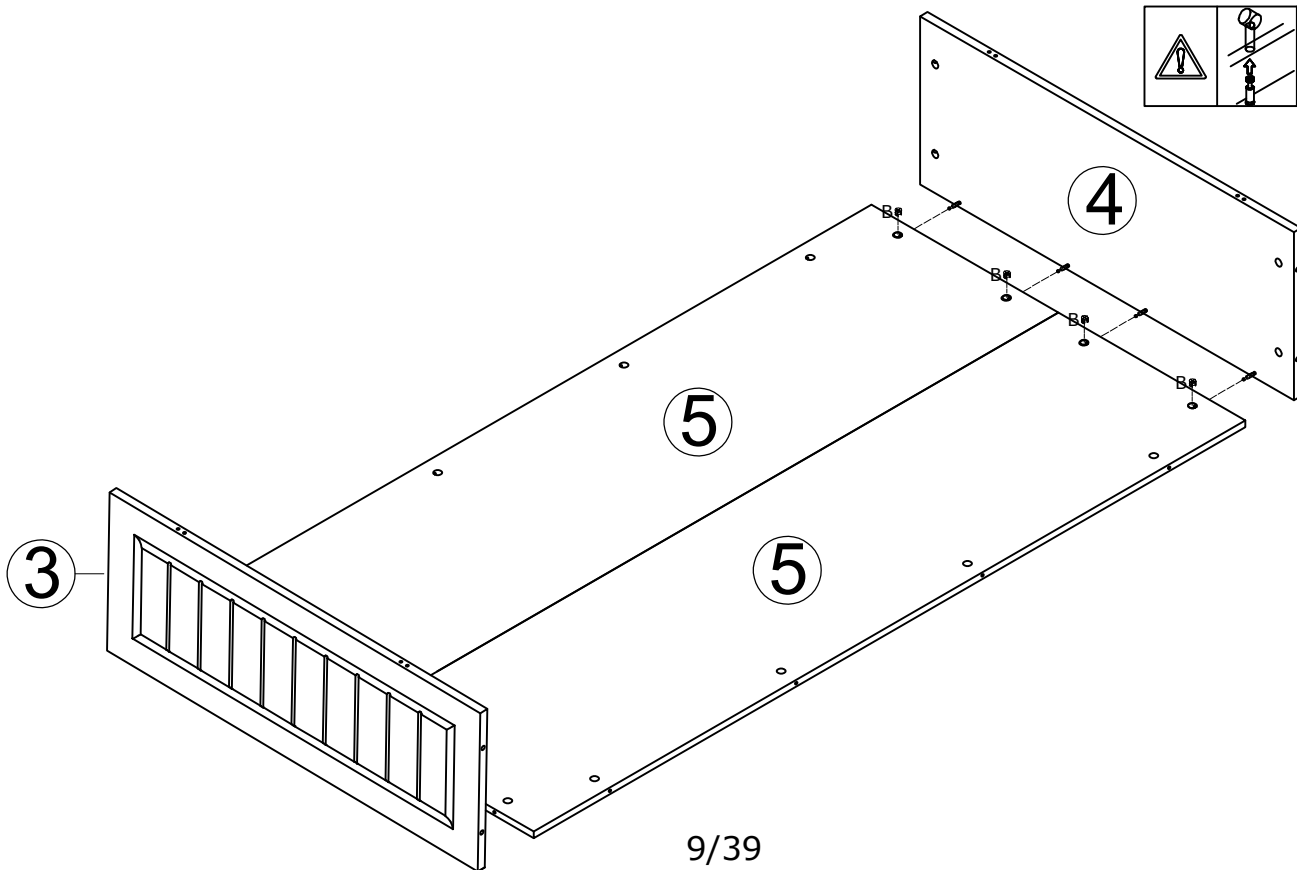
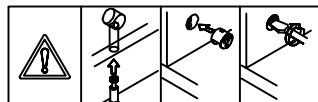
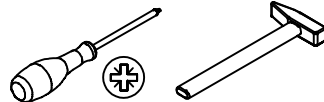


4

B x 8

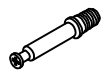


Ø15 x 10mm

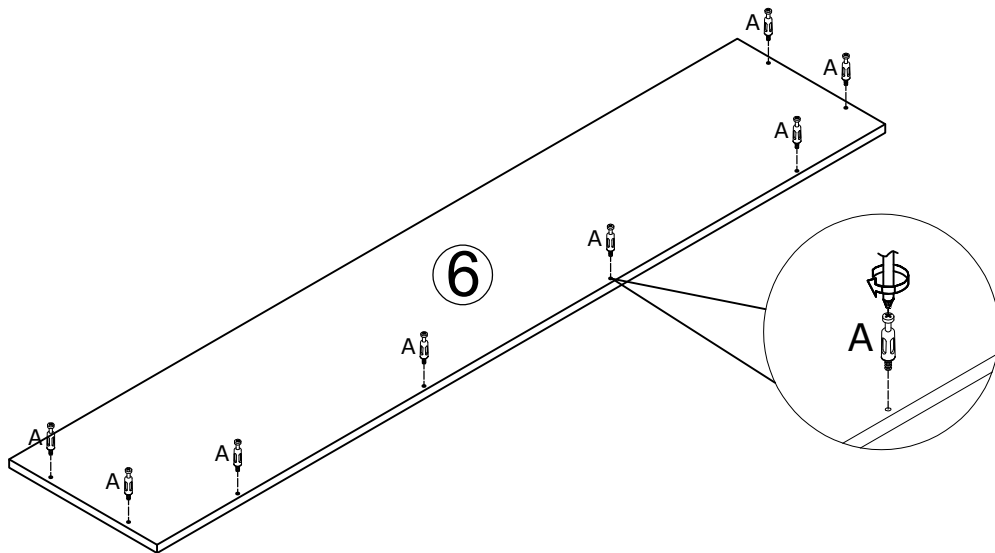
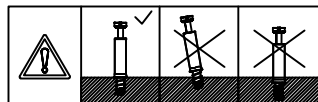
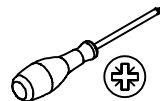


5

A x 8



Ø6 x 34mm

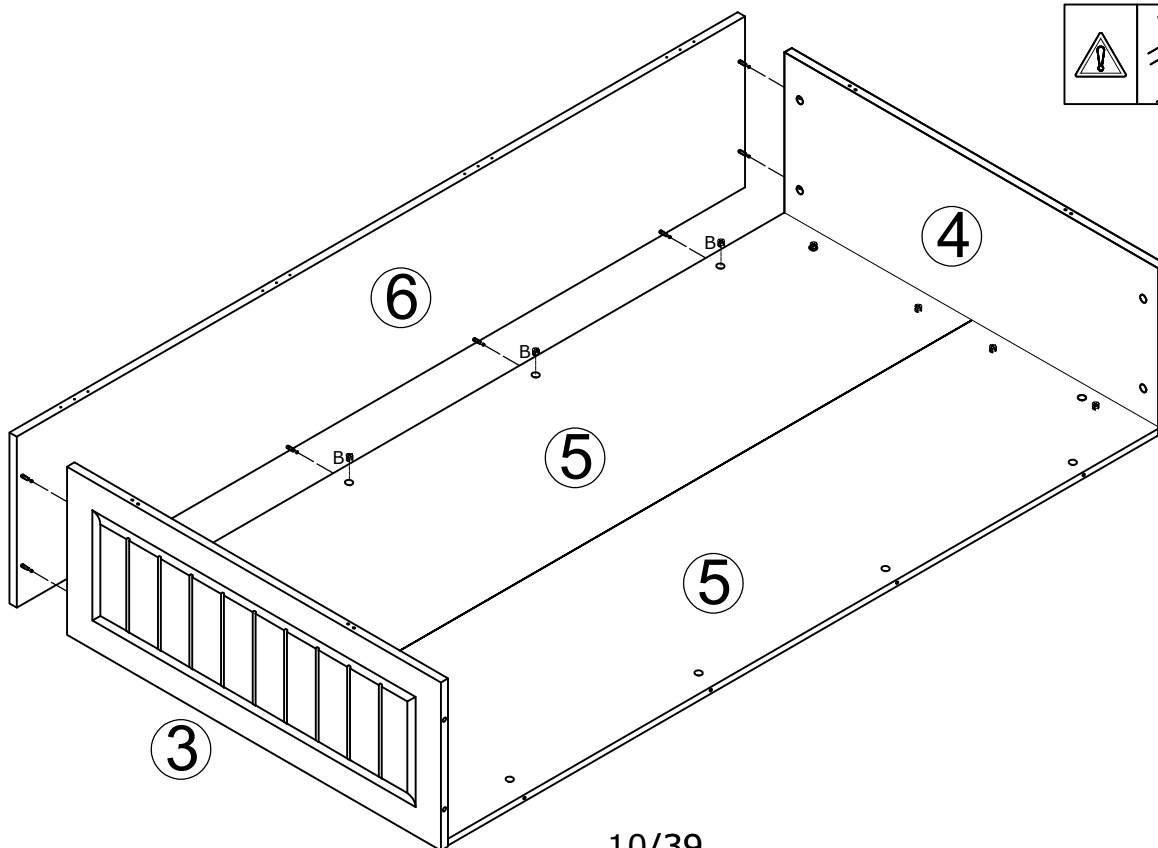
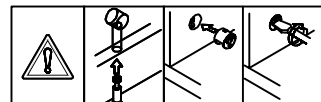
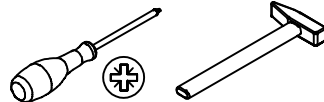


6

B x 8



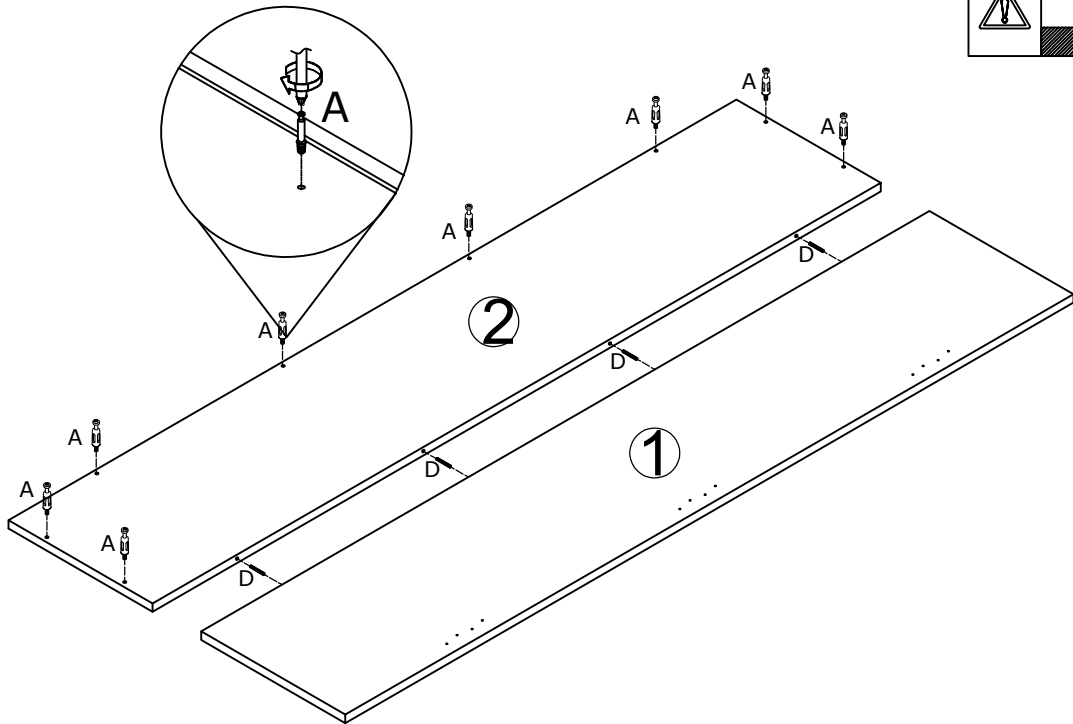
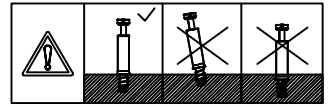
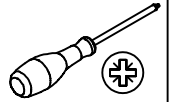
Ø15 x 10mm



7

A x 8
Ø6 x 28mm

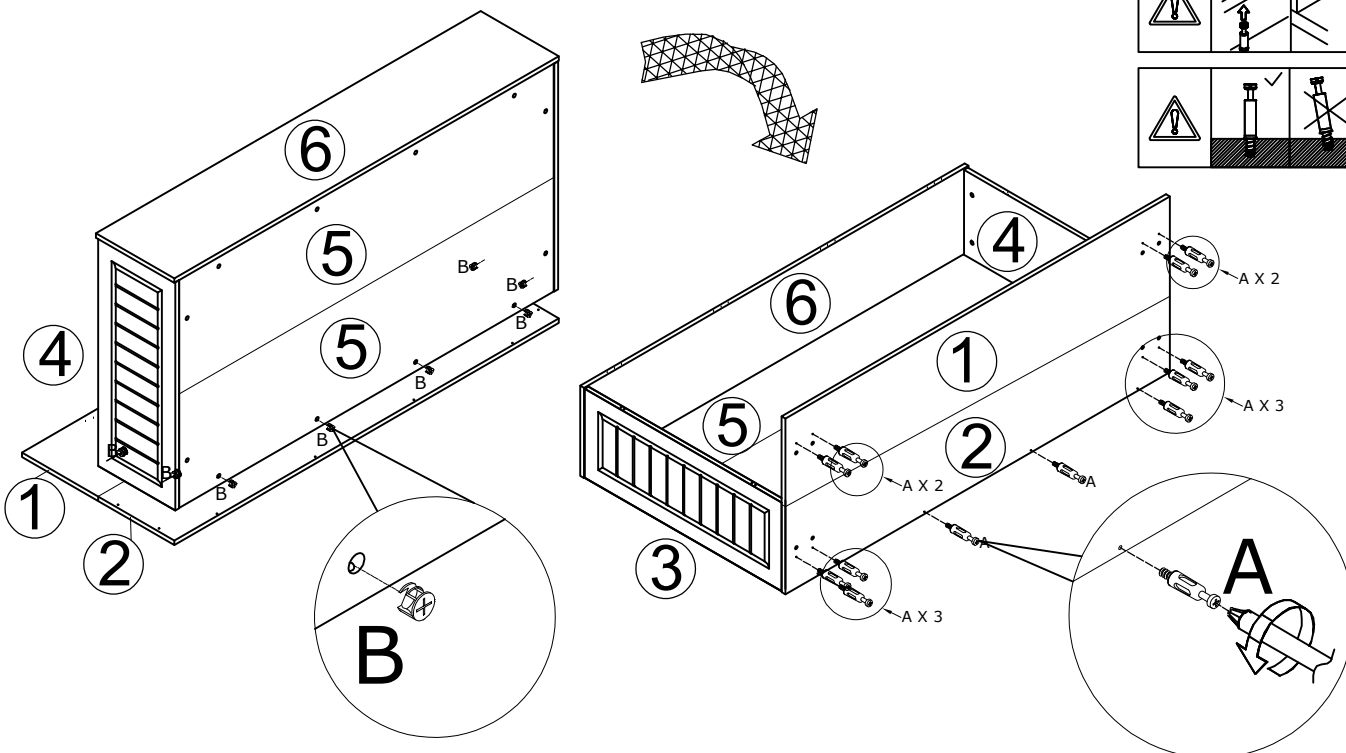
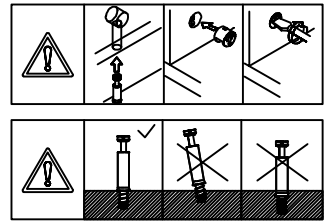
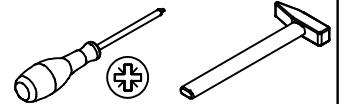
D x 4
Ø8 x 40mm



8

B x 8
Ø15 x 10mm

A x 12
Ø6 x 28mm

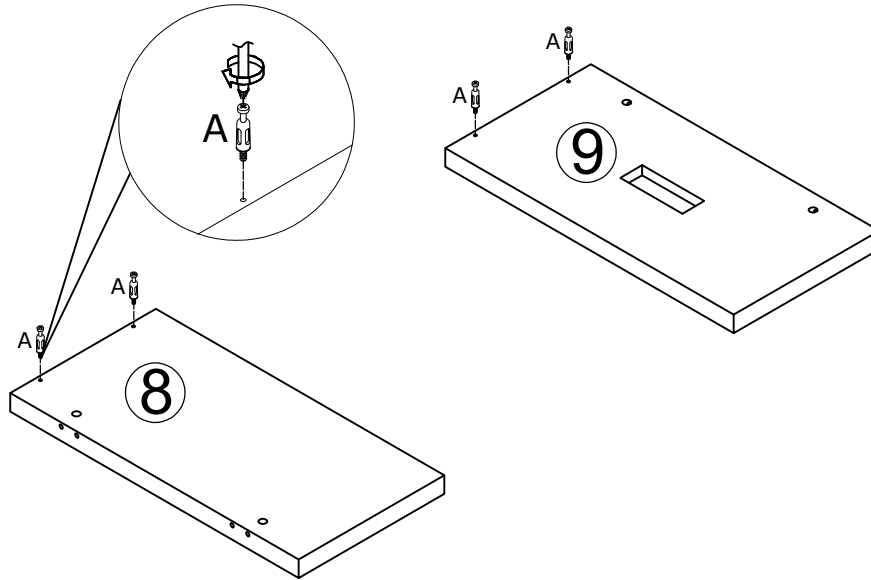
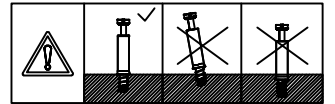
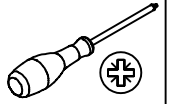


9

A x 4



Ø6 x 34mm

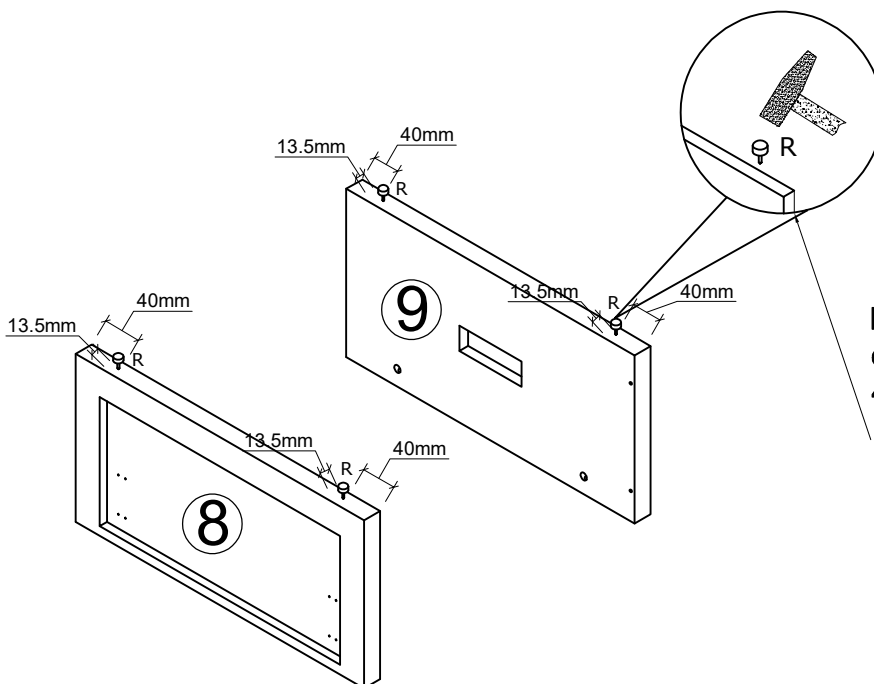
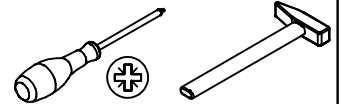


10

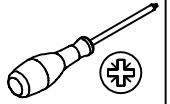
R x 4



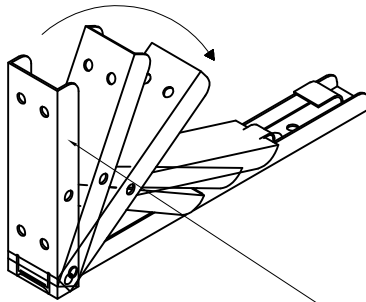
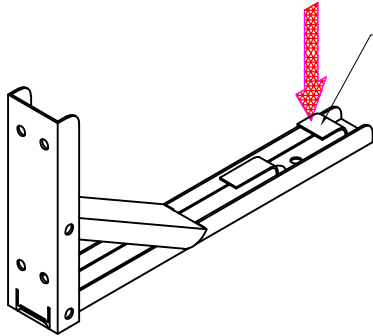
Ø15 x 6mm



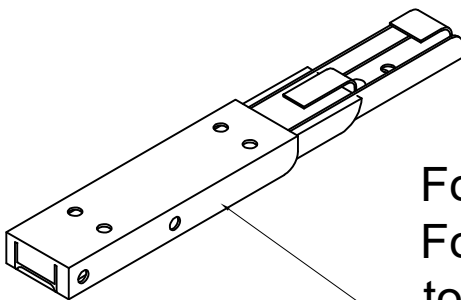
Nail the foot pins into the long edge without holes, centered and 40mm away from the side edge.



Switch
Gently press to unlock.



Folding,
Fold downwards



Fold the bracket,
Fold it effortlessly
to save space

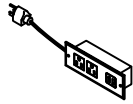
12

J x 18



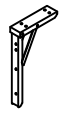
Ø3.5 x 14mm

T x 1

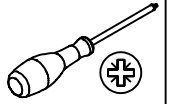


161x54x40mm

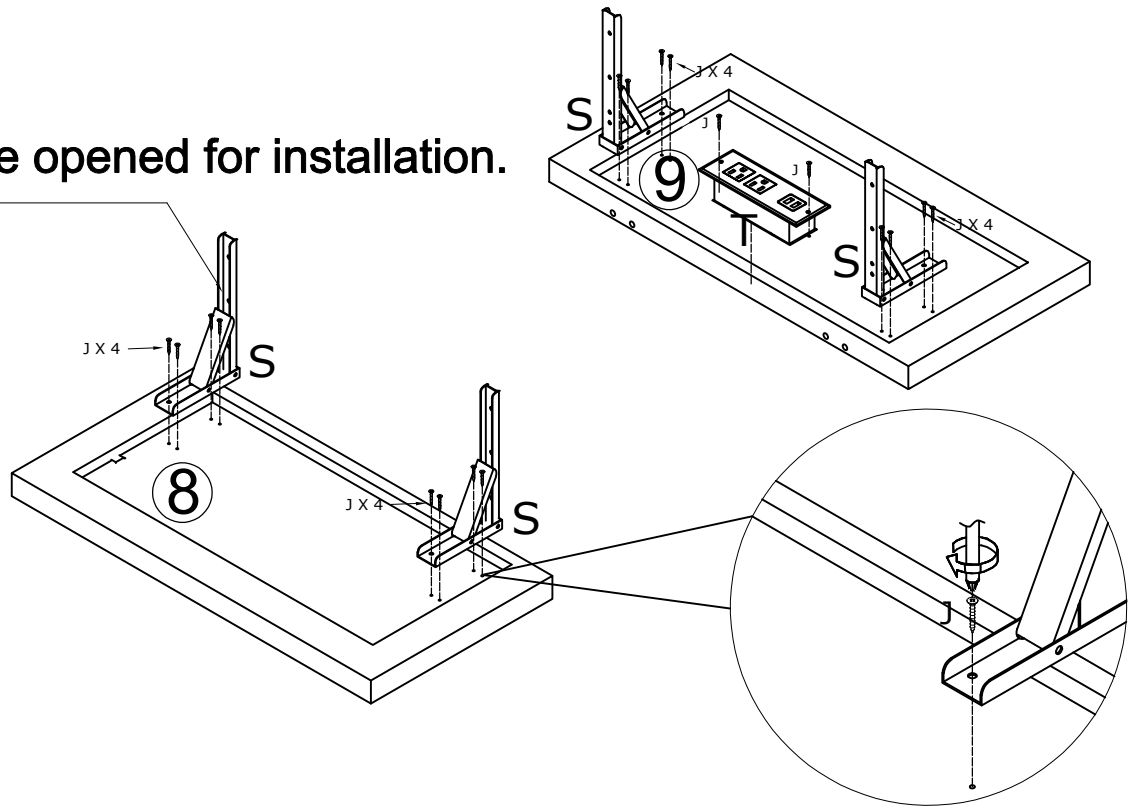
S x 4



195x110x30mm



Bracket,
Needs to be opened for installation.

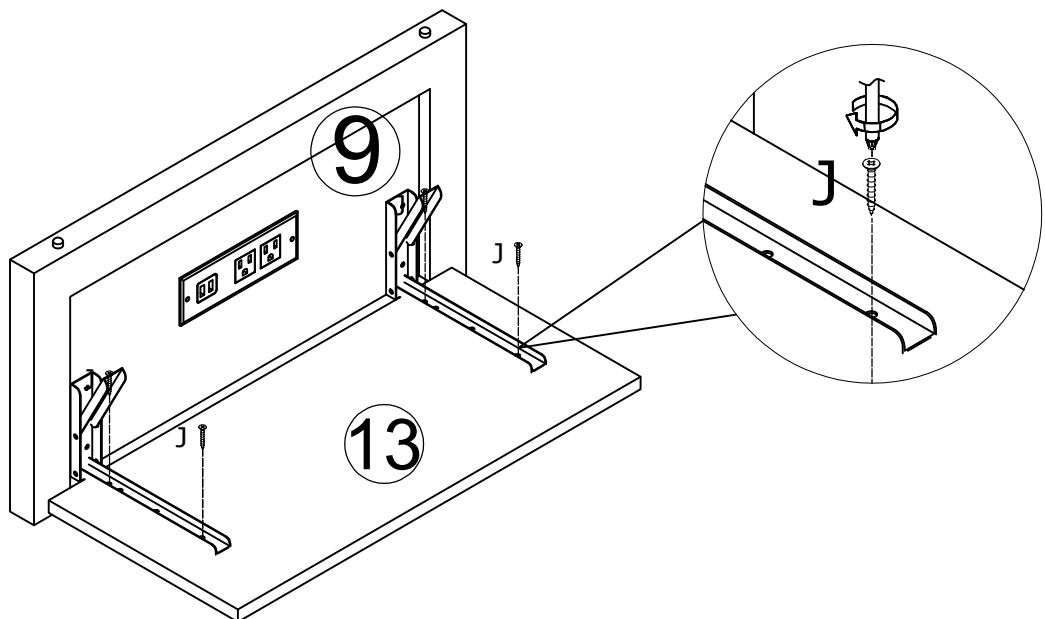
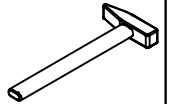
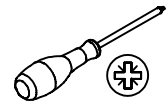


13

J x 4



Ø3.5 x 14mm

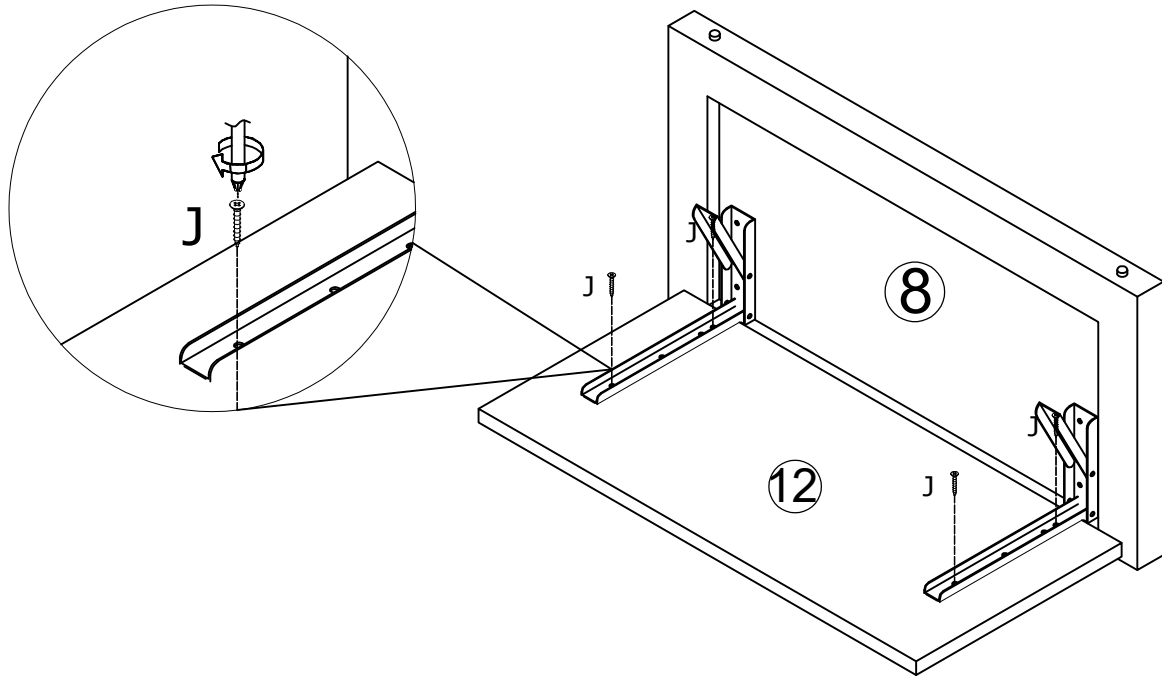
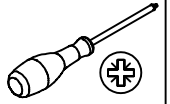


14

J x 4



Ø3.5 x 14mm

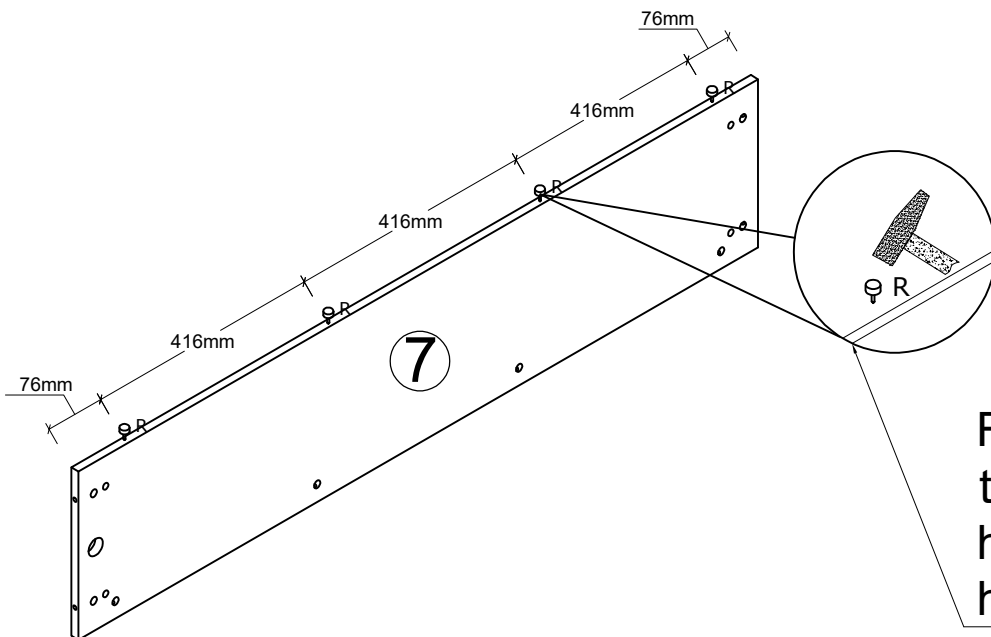
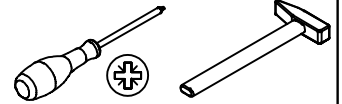


15

R x 4



Ø15 x 10mm



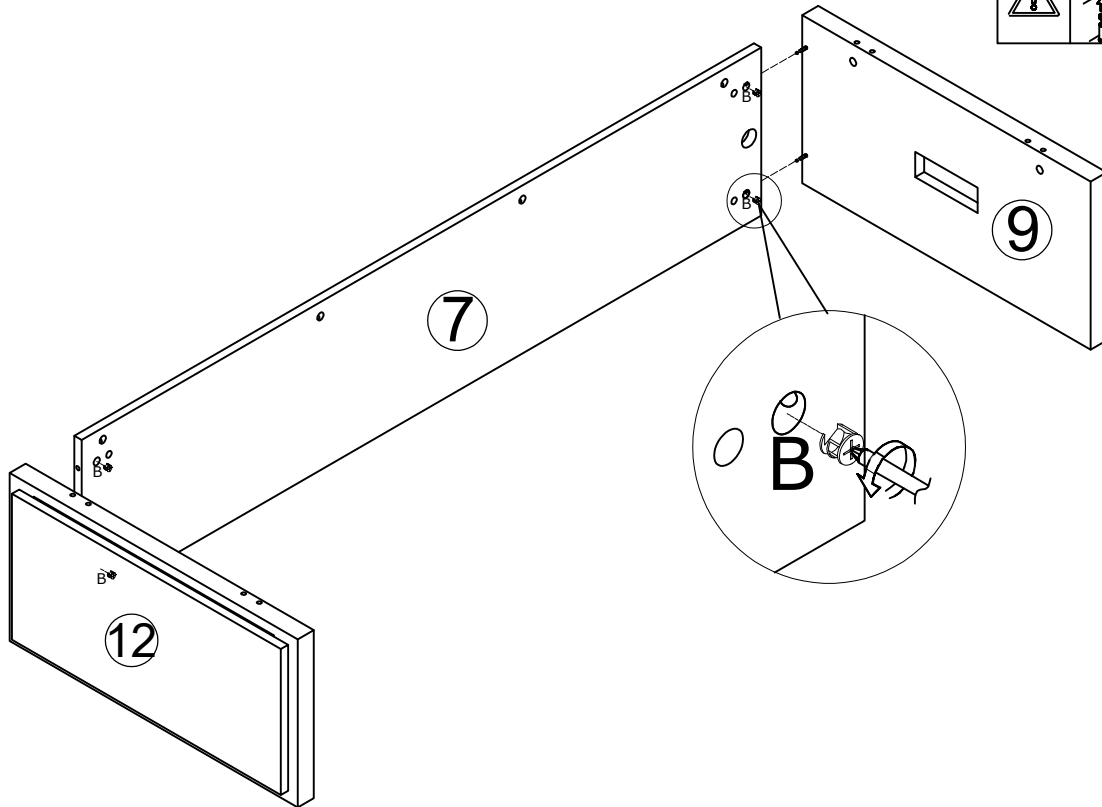
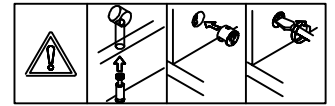
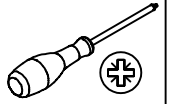
Foot pins, nail into the side without holes, centered and hammer in.

16

B x 4



Ø15 x 10mm



17

B x 8

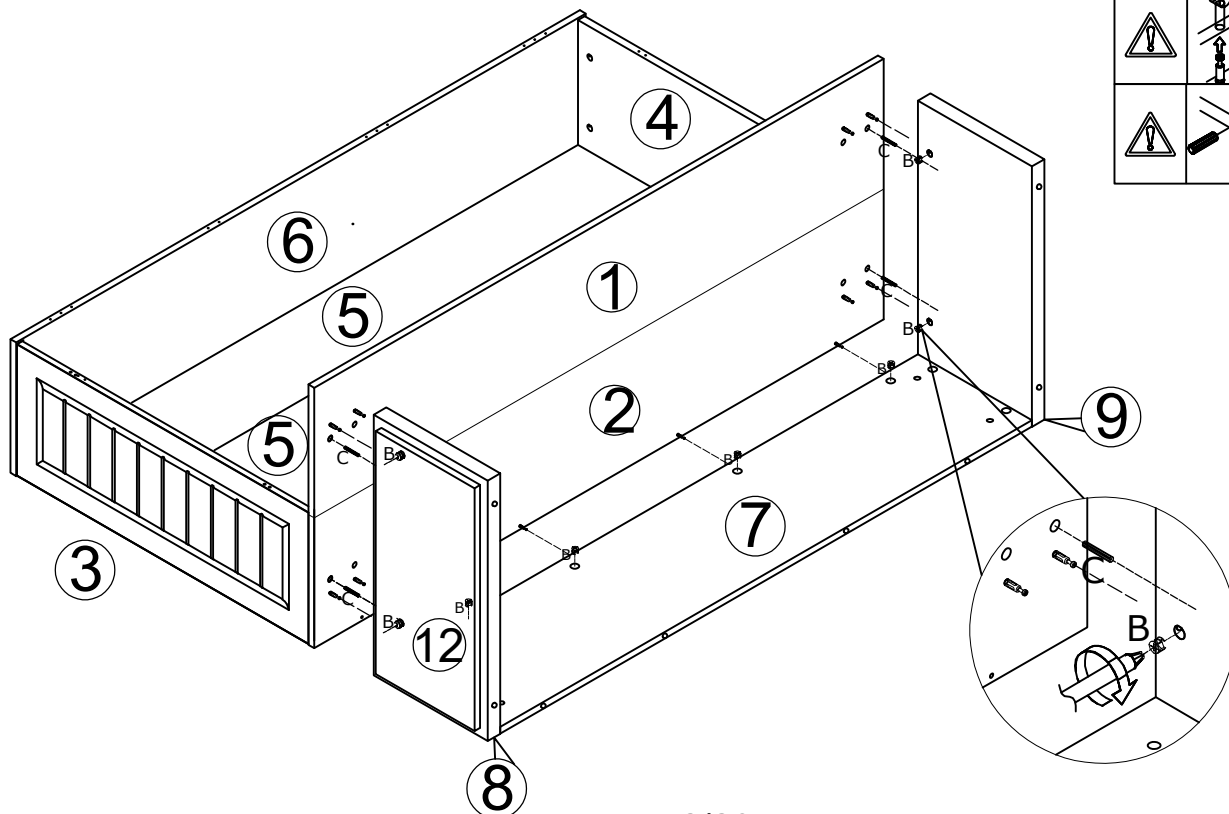
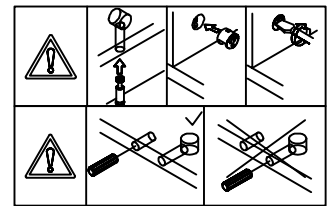
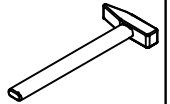
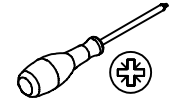


Ø15 x 10mm

C x 4



Ø8 x 30mm

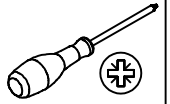


18

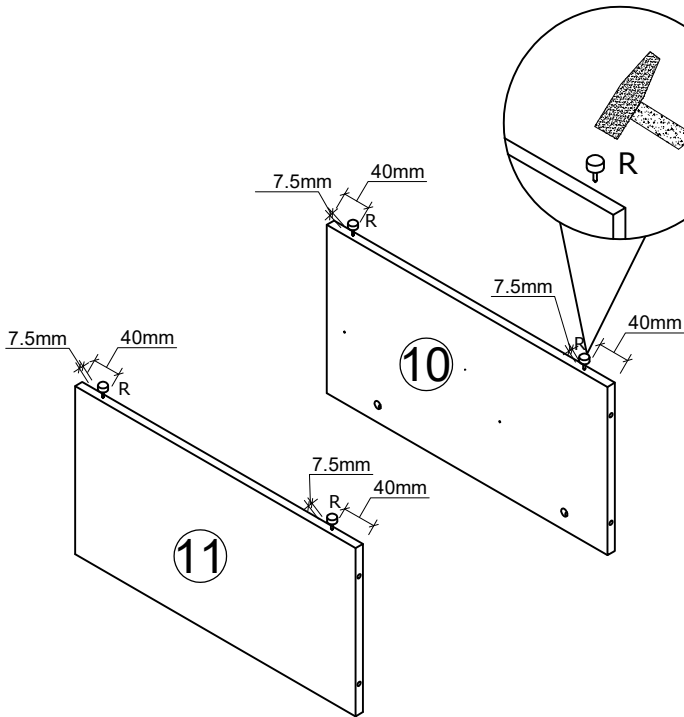
R x 4



Ø15 x 6mm



Nail the foot pins into the long edge without holes, centered and 40mm away from the side edge



19

J x 4

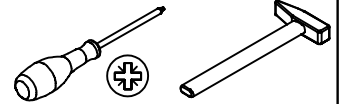


Ø3.5 x 14mm

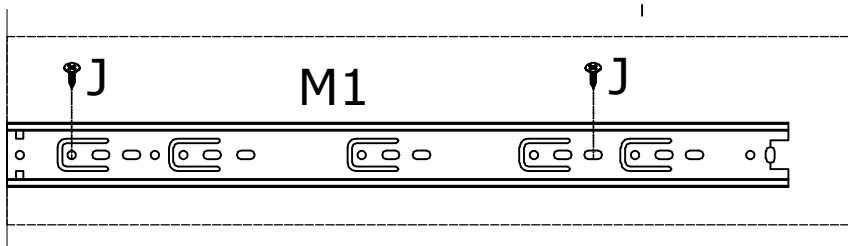
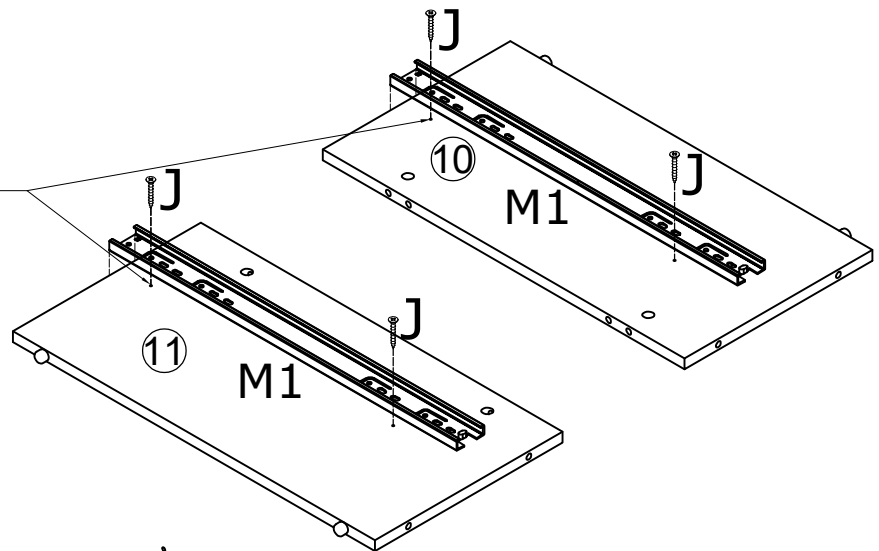
M x 1



500 mm



Start by this drilling the hole,
and then use the screw to
position and secure it in place.



20

B x 4



Ø15 x 10mm

C x 4

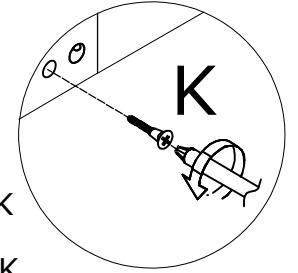
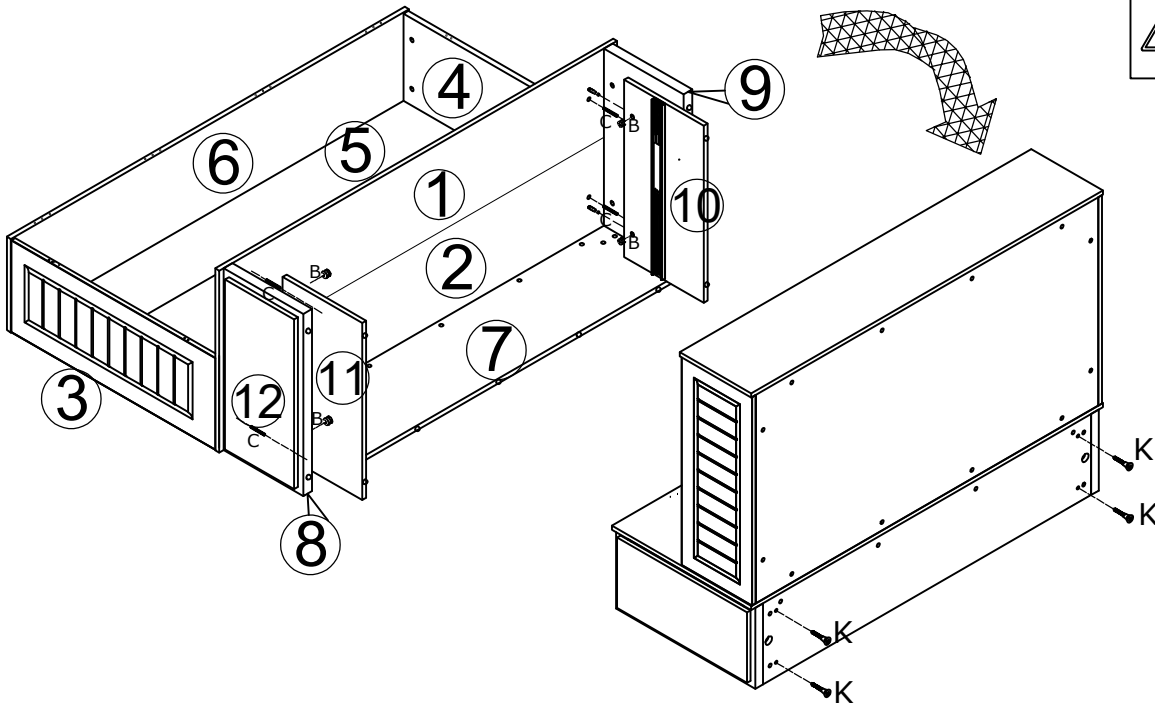
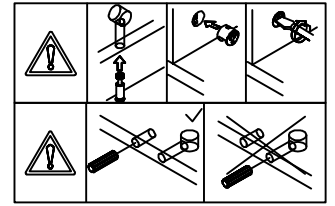
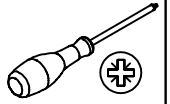


Ø8 x 30mm

K x 4

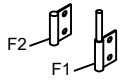


Ø7 x 38mm



21

F x 4



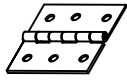
60 X 24mm

J x 8



Ø3.5 x 14mm

H x 4

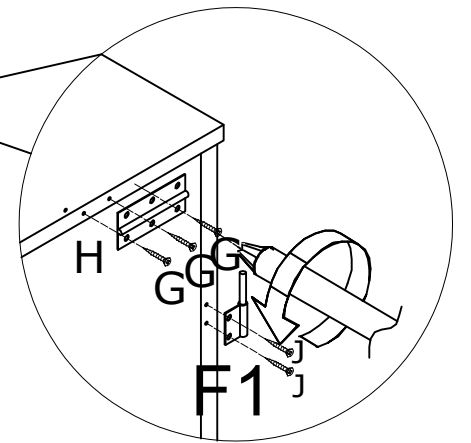
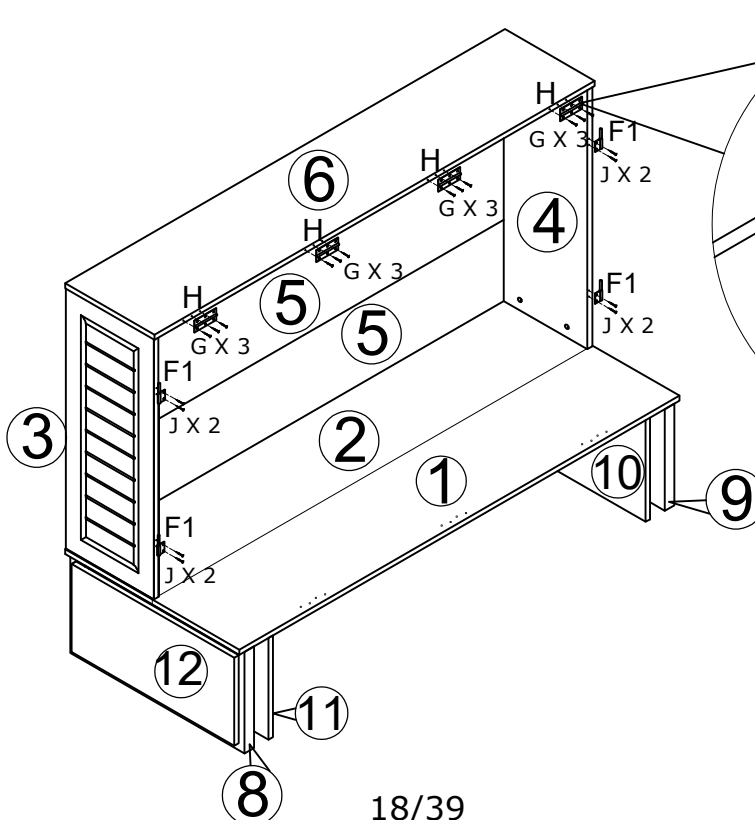
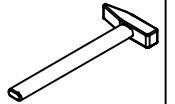
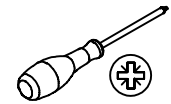


60 x 38mm

G x 12

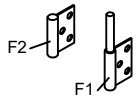


Ø3 x 14mm



22

F x 4

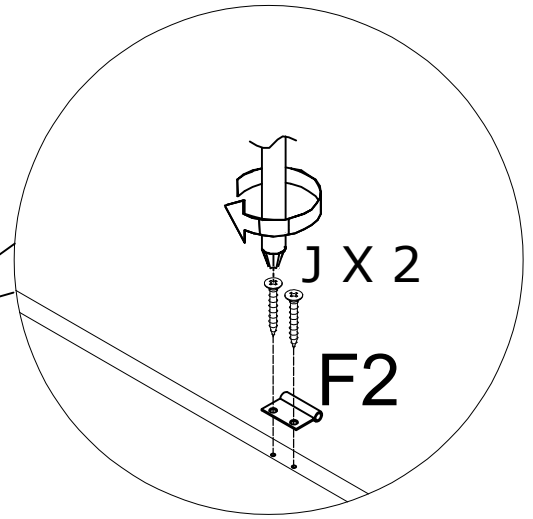
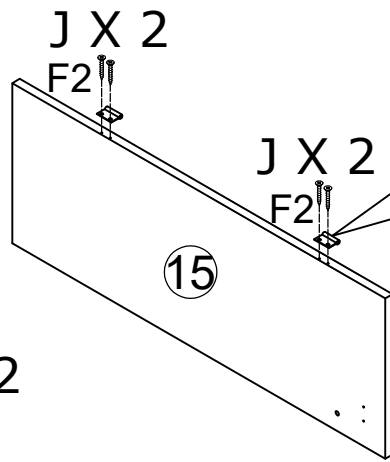
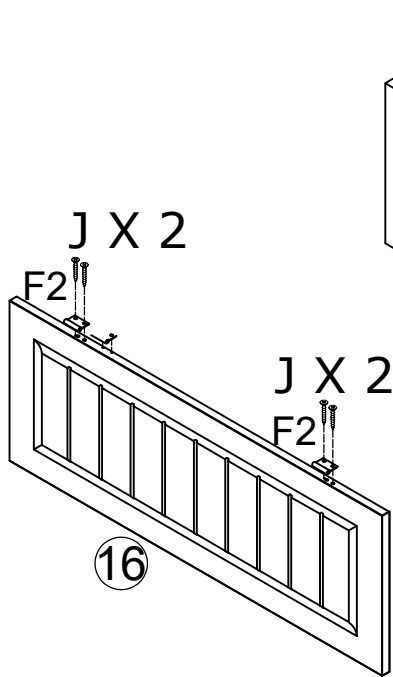
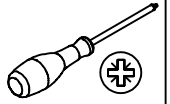


60 X 24mm

J x 8

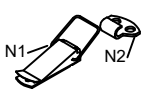


Ø3.5 x 14mm



23

N x 2

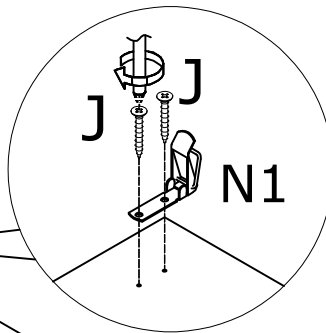
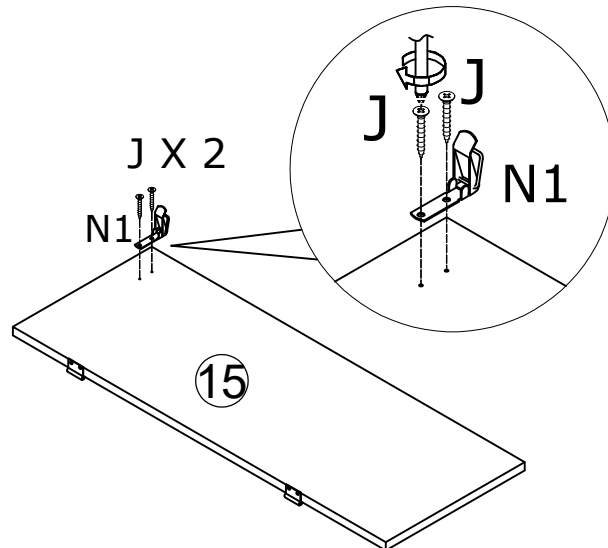
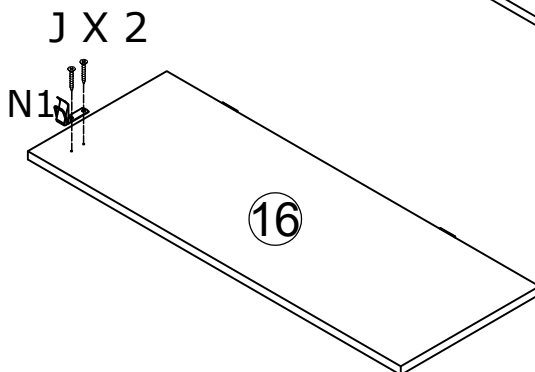
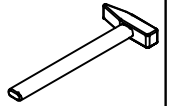
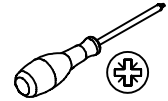


72 x 27mm

J x 4



Ø3.5 x 14mm



24

J x 4

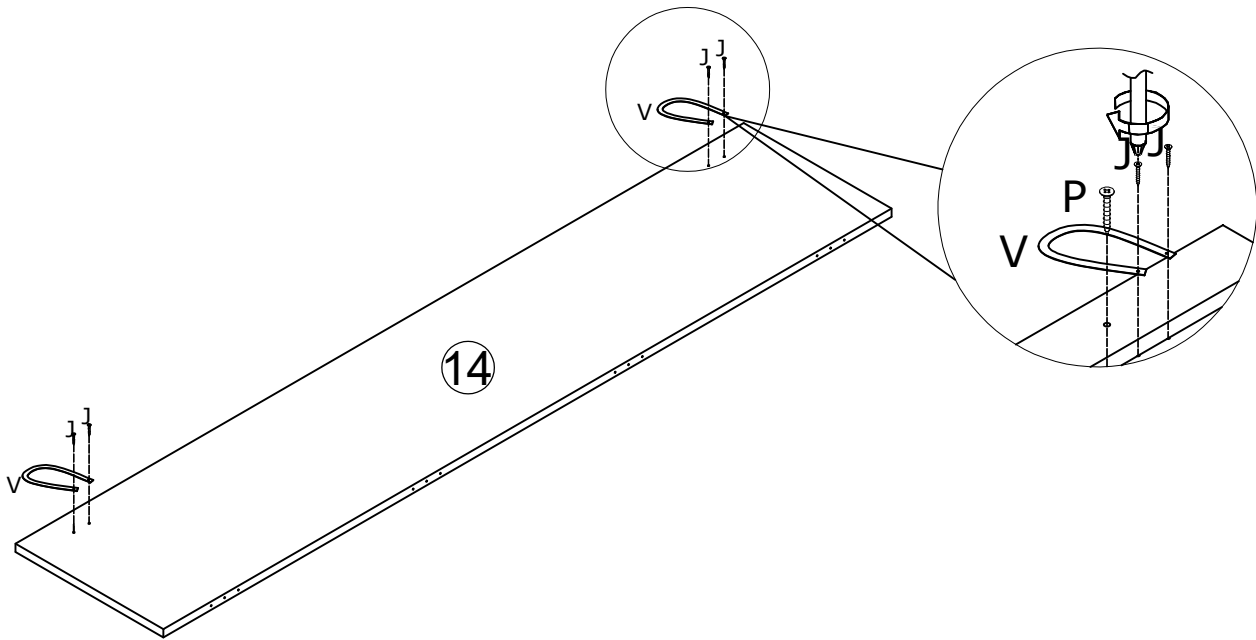
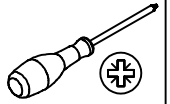


Ø3.5 x 14mm

V x 2



300 x 25mm

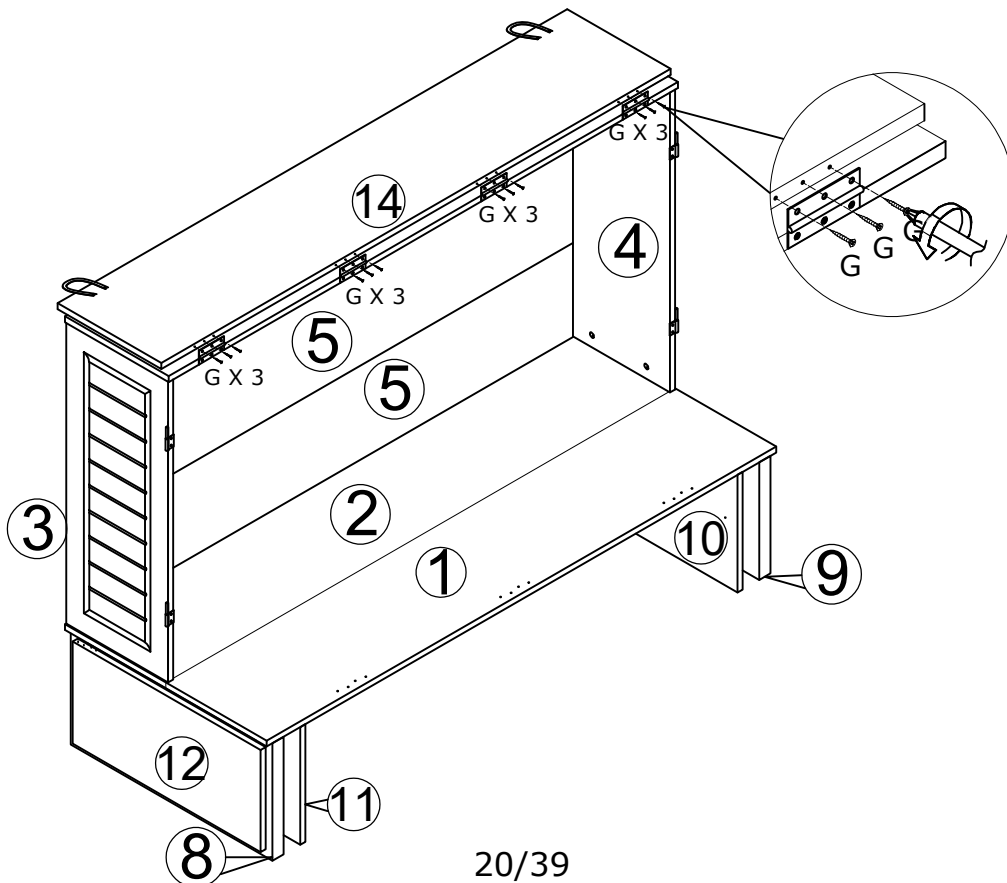
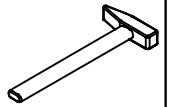
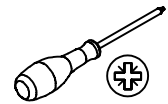


25

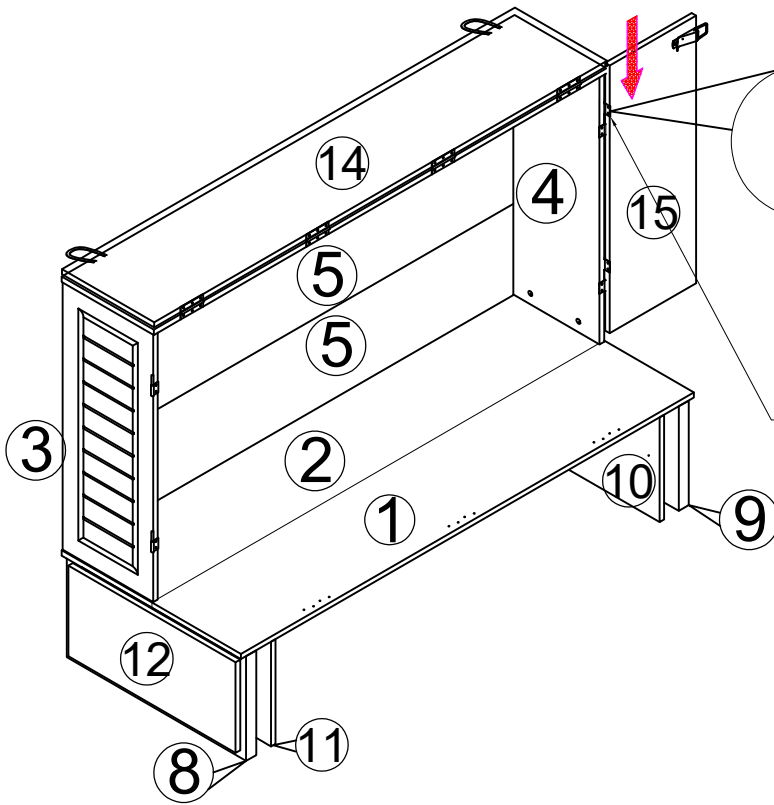
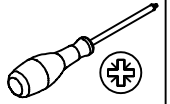
G x 12



Ø3 x 14mm

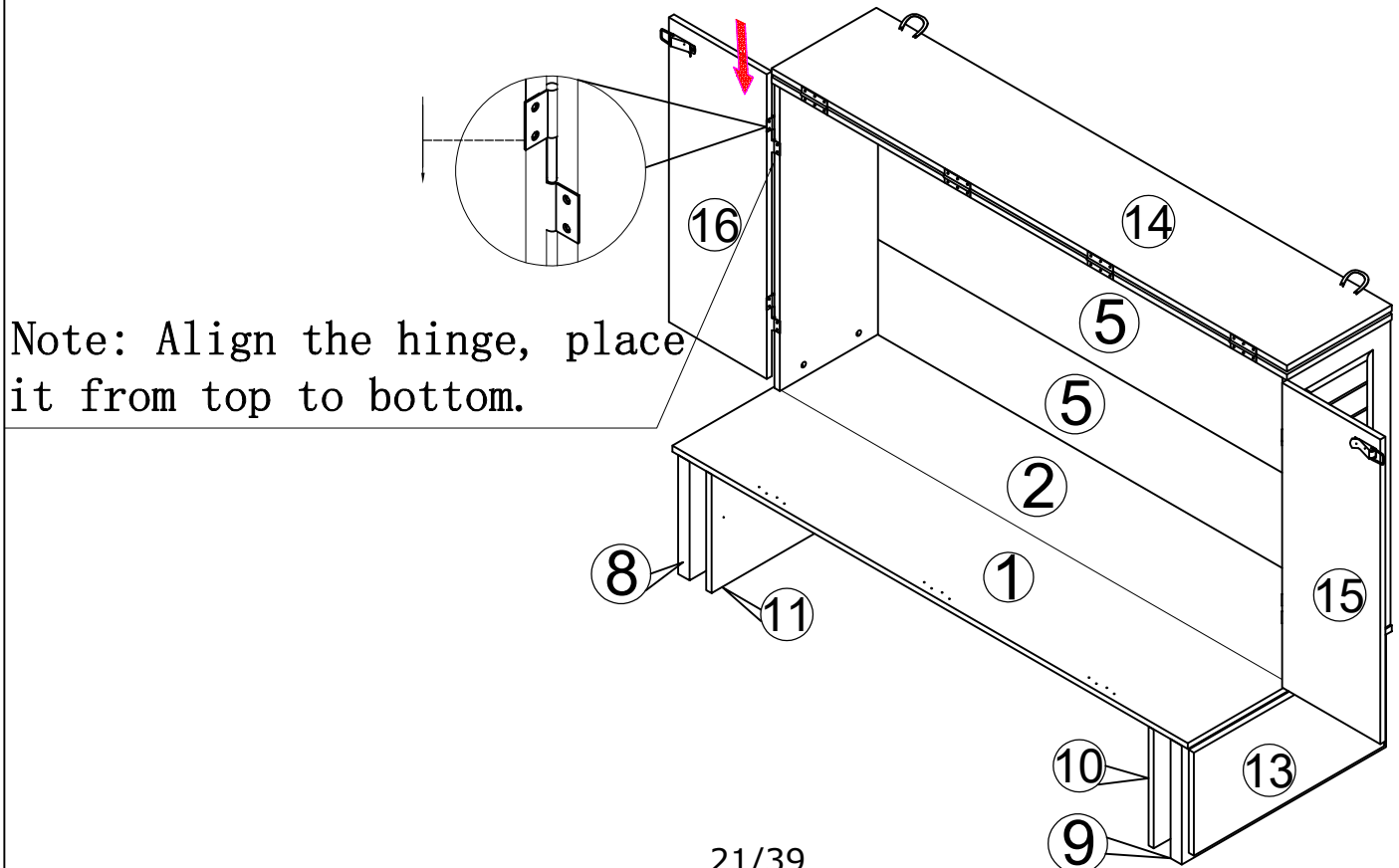
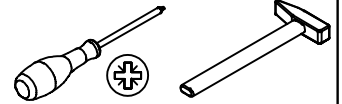


26



Note: Align the hinge, place it from top to bottom.

27



Note: Align the hinge, place it from top to bottom.

28

J x 4

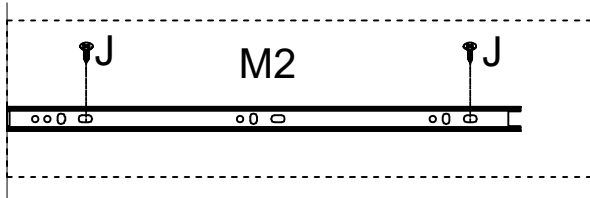
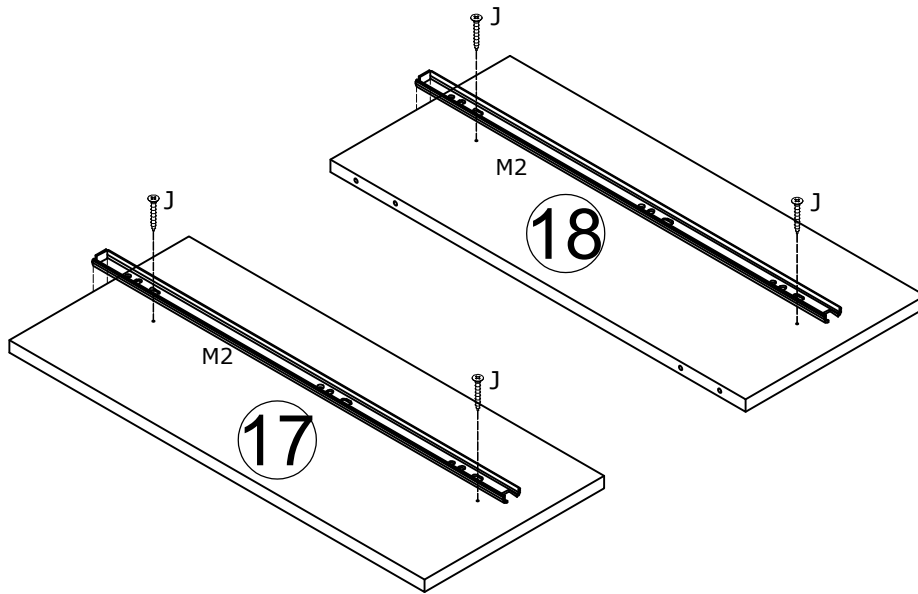
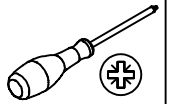


Ø3.5 x 14mm

M x 1



500 mm



29

J x 4



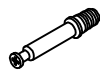
Ø3.5 x 14mm

M x 2

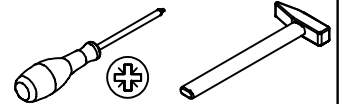


500 mm

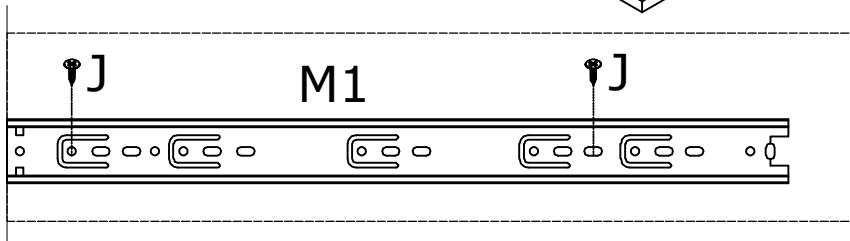
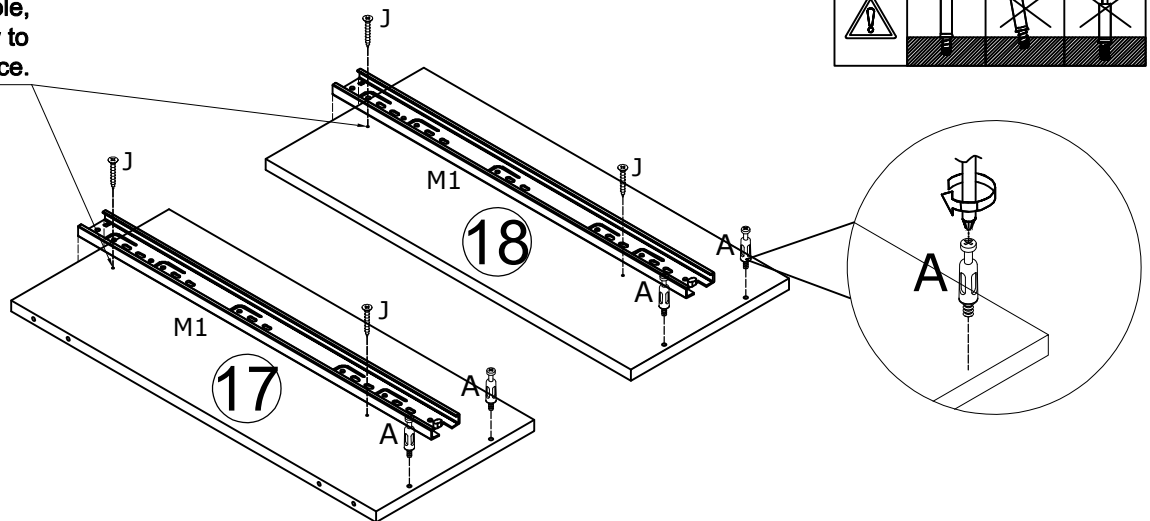
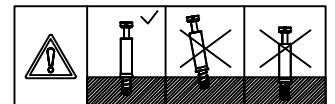
A x 4



Ø6 x 28mm



Start by this drilling the hole,
and then use the screw to
position and secure it in place.



30

B x 4



Ø15 x 10mm

P x 8

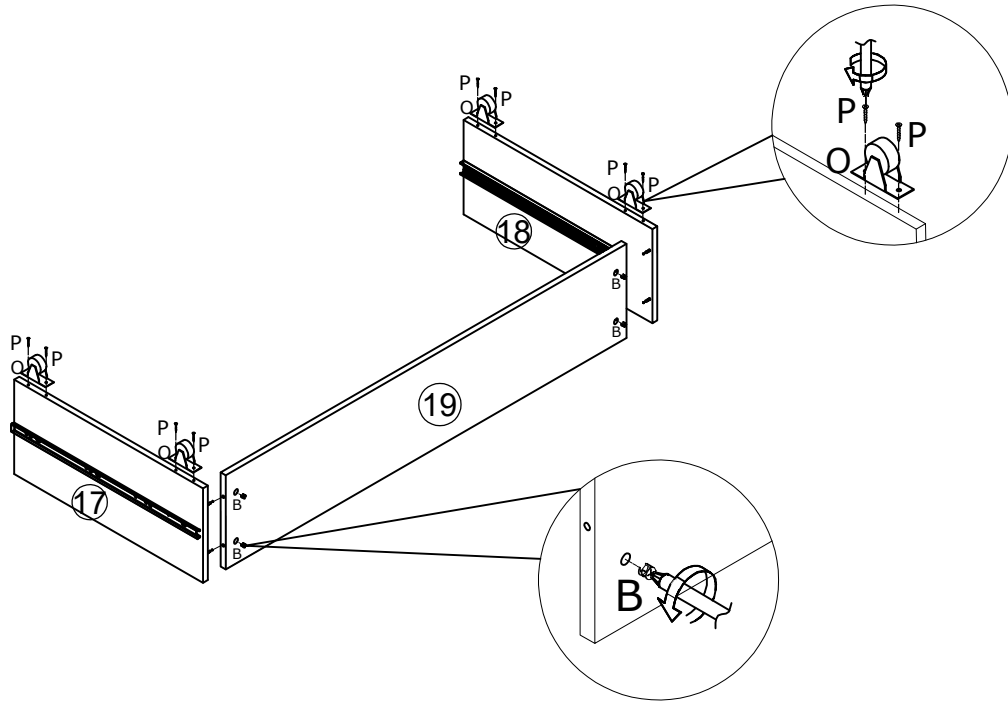
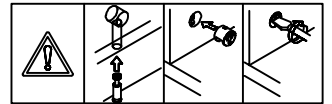
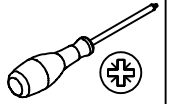


Ø3.5 X 25mm

O x 4



H52mm



31

Q x 4

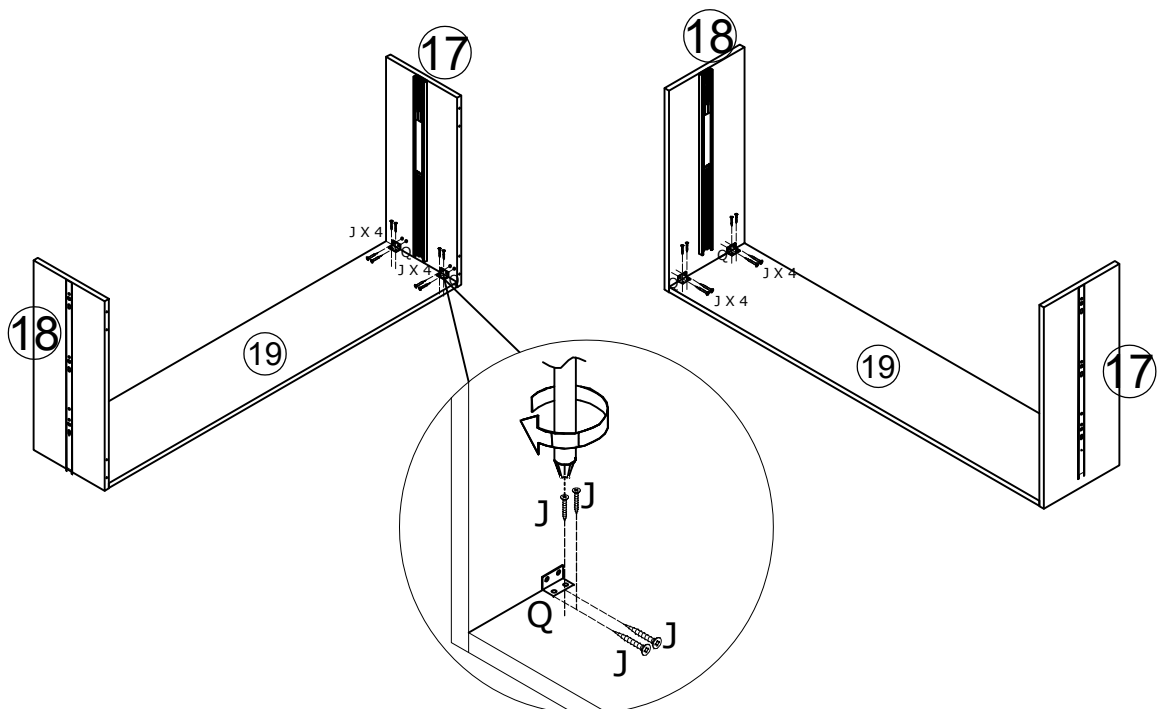
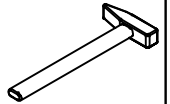
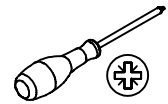


25 x 15 X 15mm

J x 16



Ø3.5 x 14mm



32

J x 4

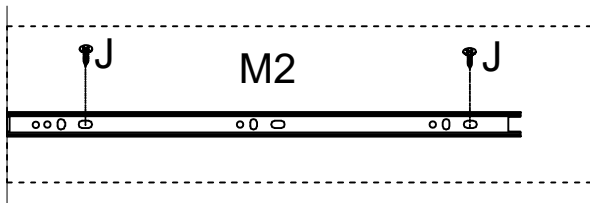
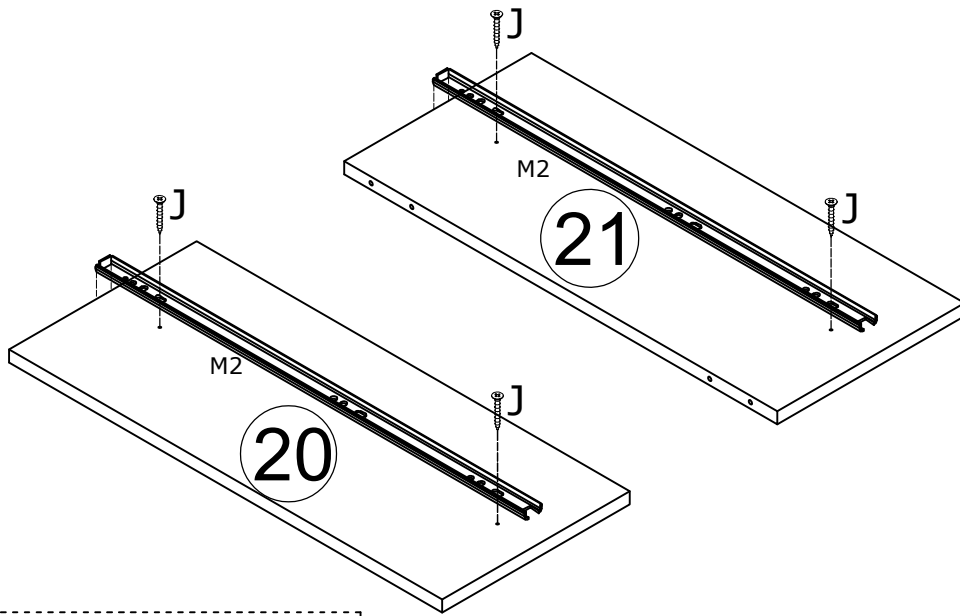
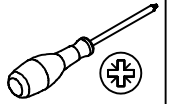


Ø3.5 x 14mm

M x 2



500 mm



33

J x 4



Ø3.5 x 14mm

M x 2

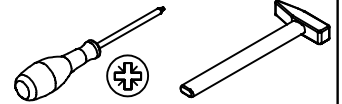


500 mm

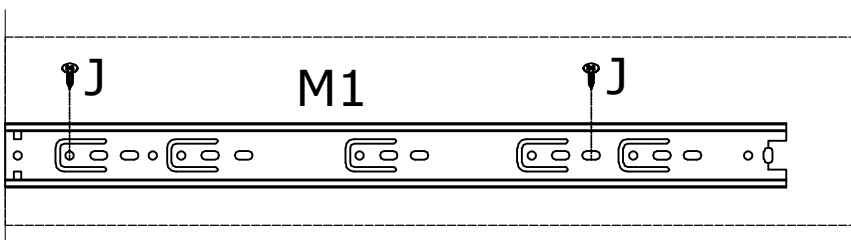
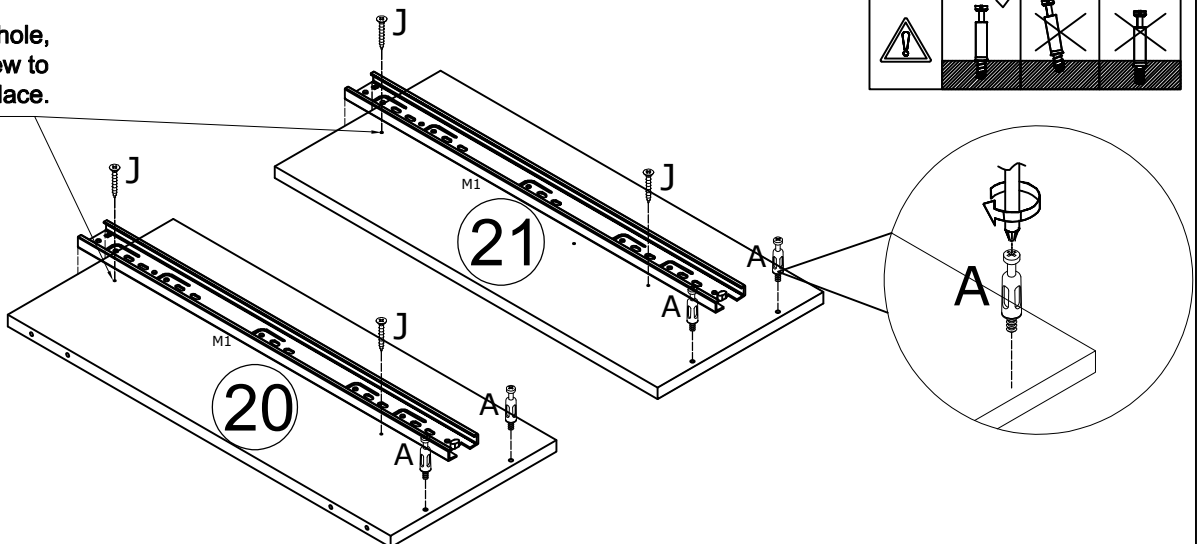
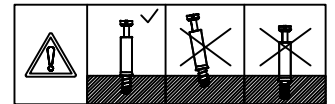
A x 4



Ø6 x 28mm



Start by this drilling the hole,
and then use the screw to
position and secure it in place.



34

B x 4



Ø15 x 10mm

P x 8

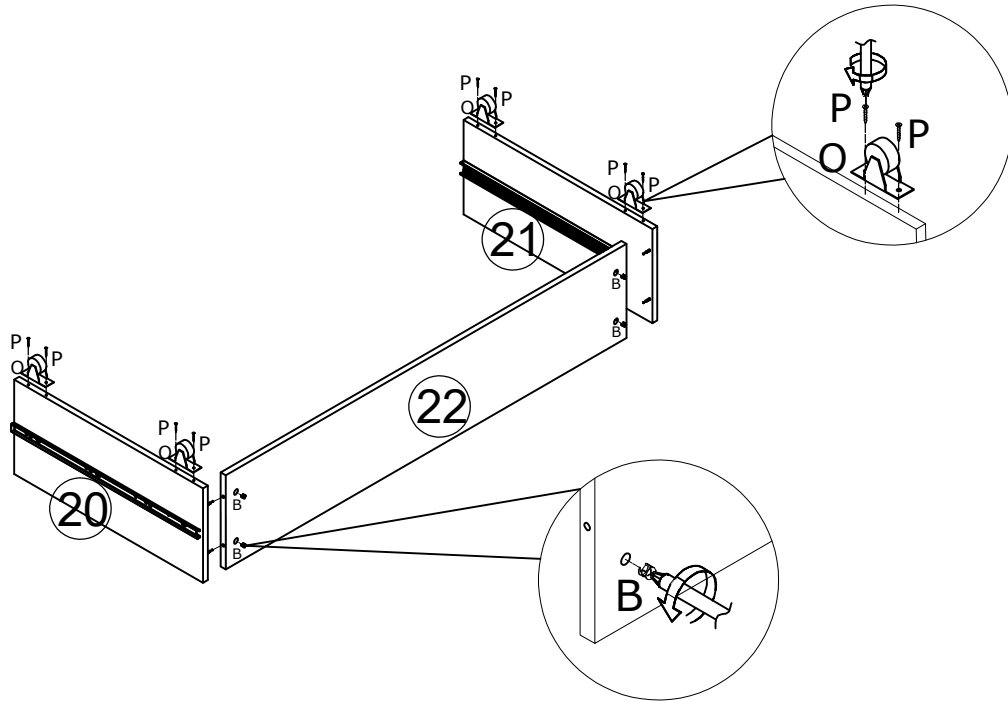
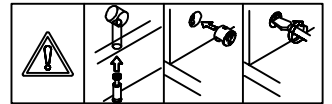
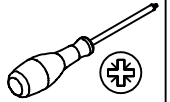


Ø3.5 x 25mm

O x 4



H52mm



35

Q x 4

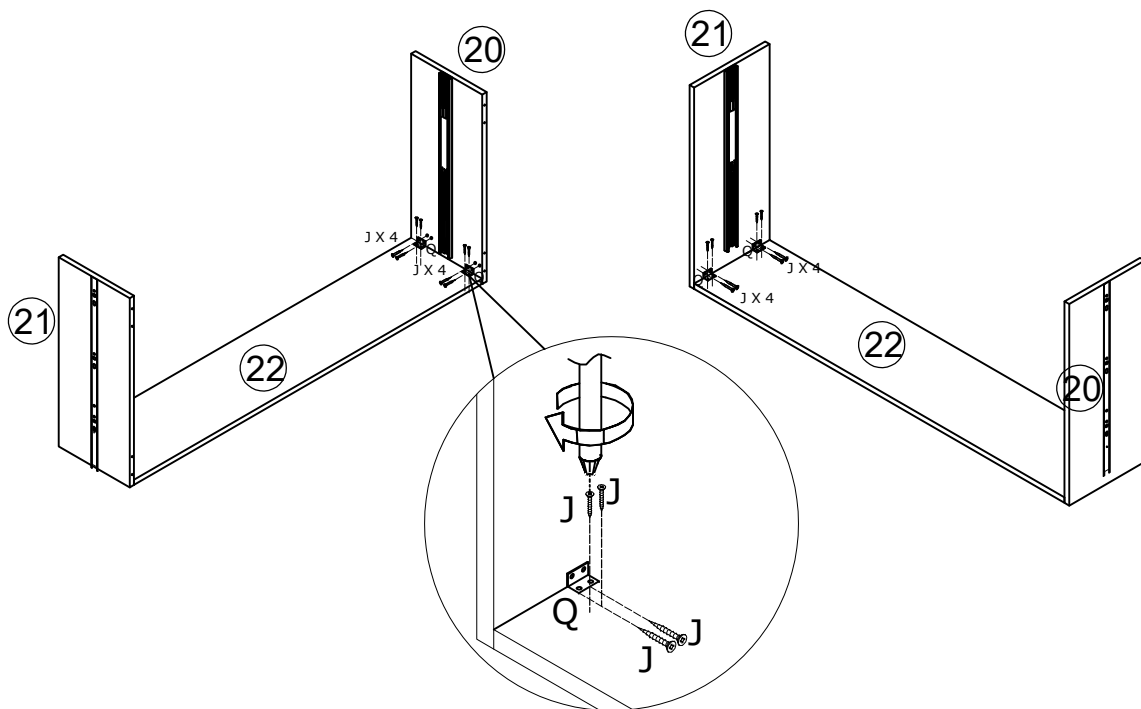
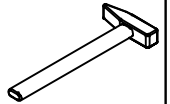
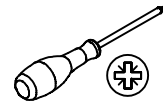


25 x 15 x 15mm

J x 16



Ø3.5 x 14mm



36

J x 4

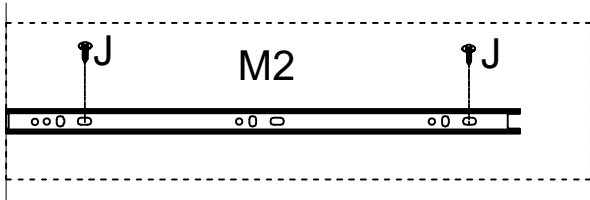
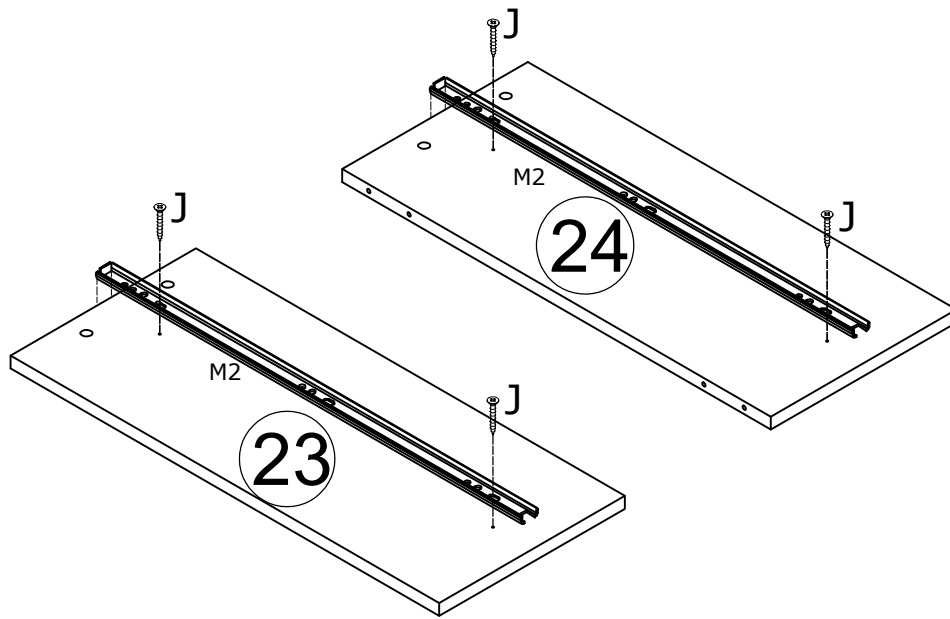
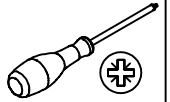


Ø3.5 x 14mm

M x 2



500 mm

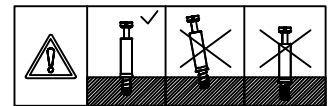
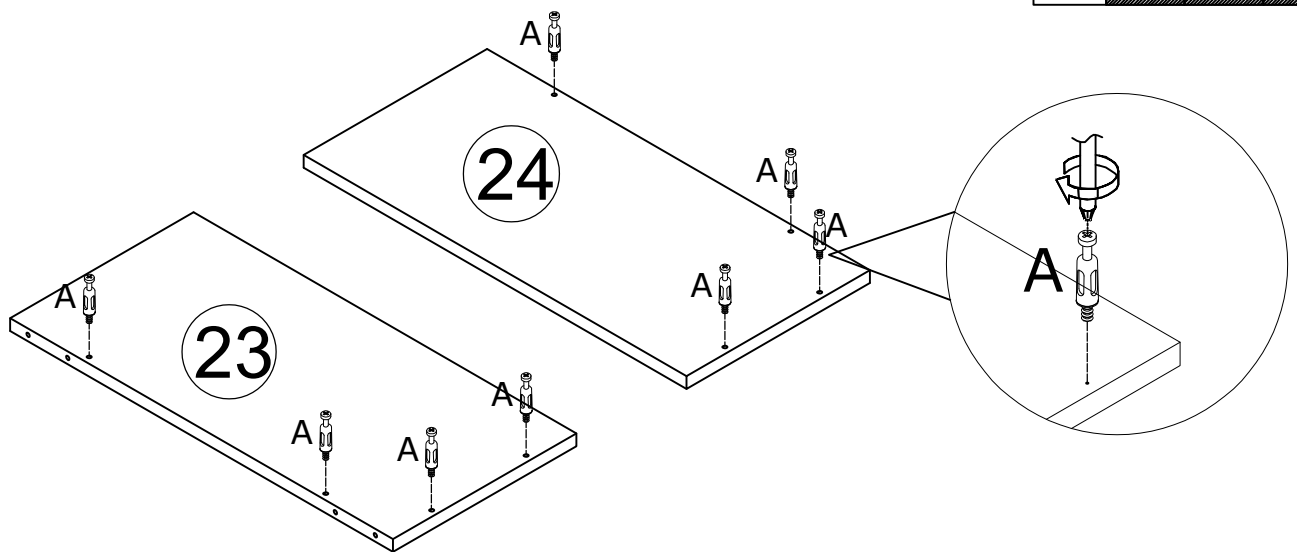
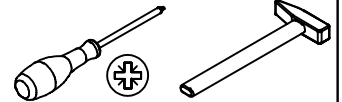


37

A x 8



Ø6 x 28mm



38

A x 5

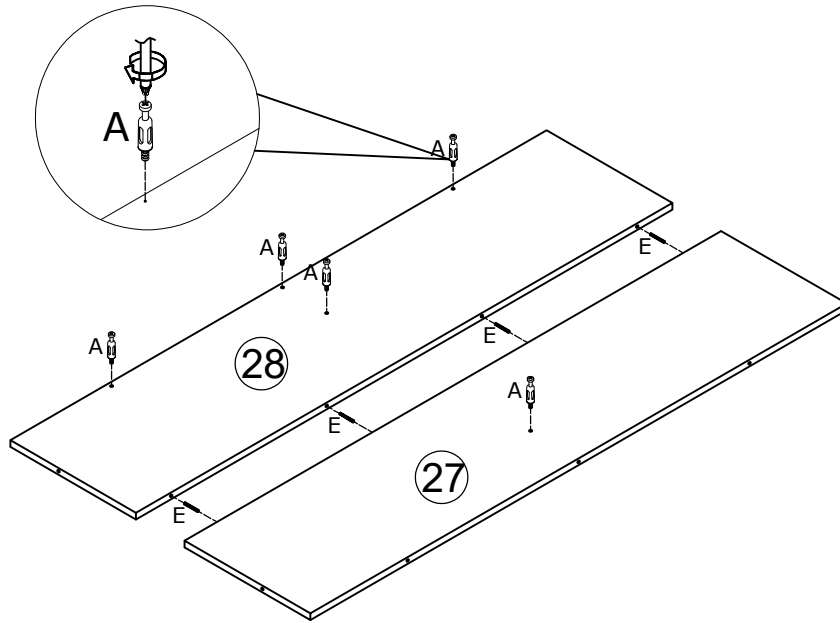
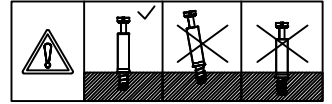
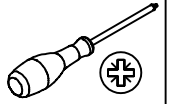


Ø6 x 28mm

E x 4



Ø6 x 40mm

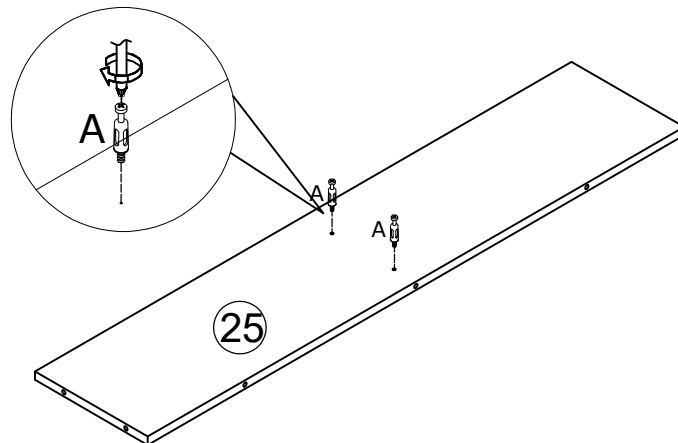
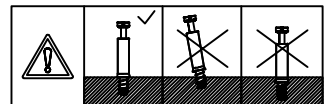
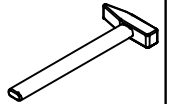
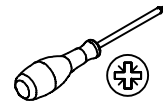


39

A x 2



Ø6 x 28mm

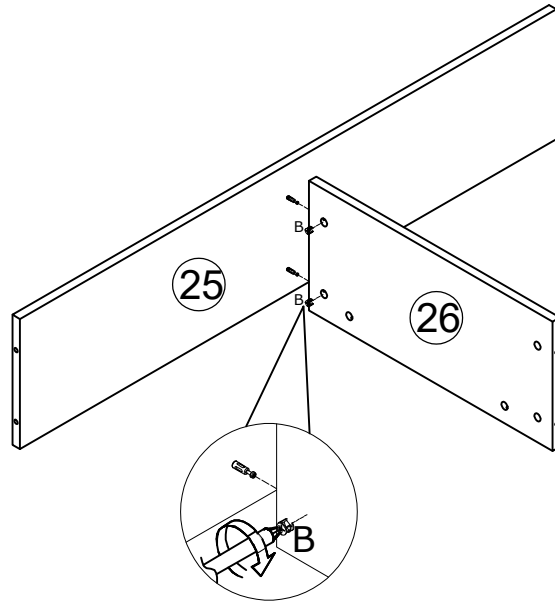
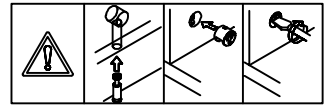
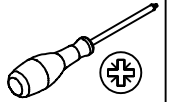


40

B x 2



Ø15 x 10mm

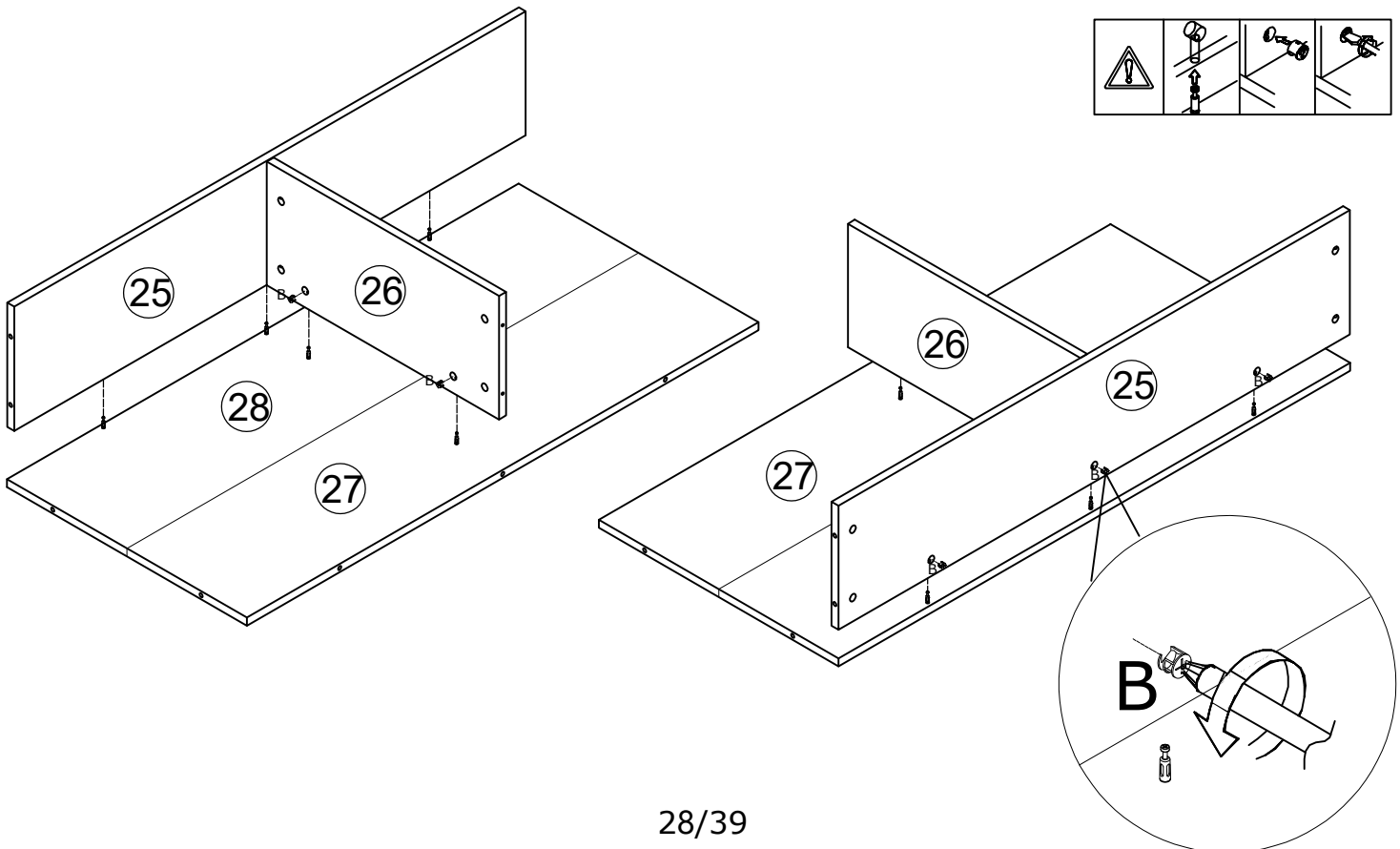
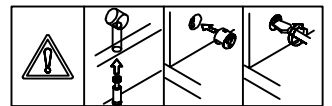
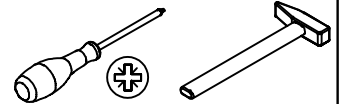


41

B x 5



Ø15 x 10mm

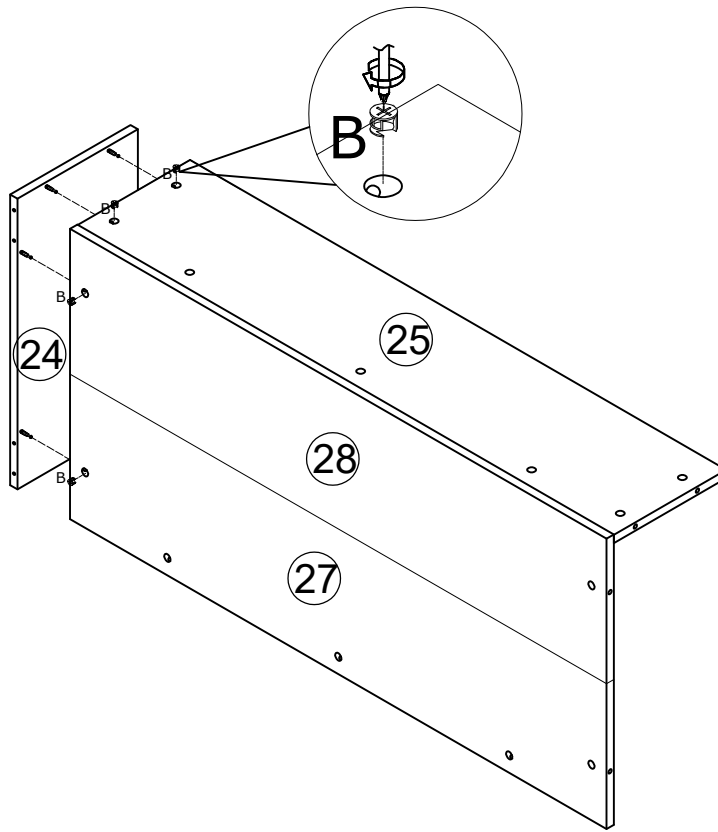
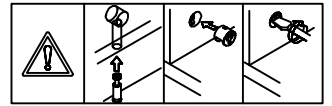
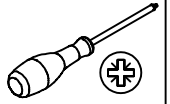


42

B x 4



Ø15 x 10mm

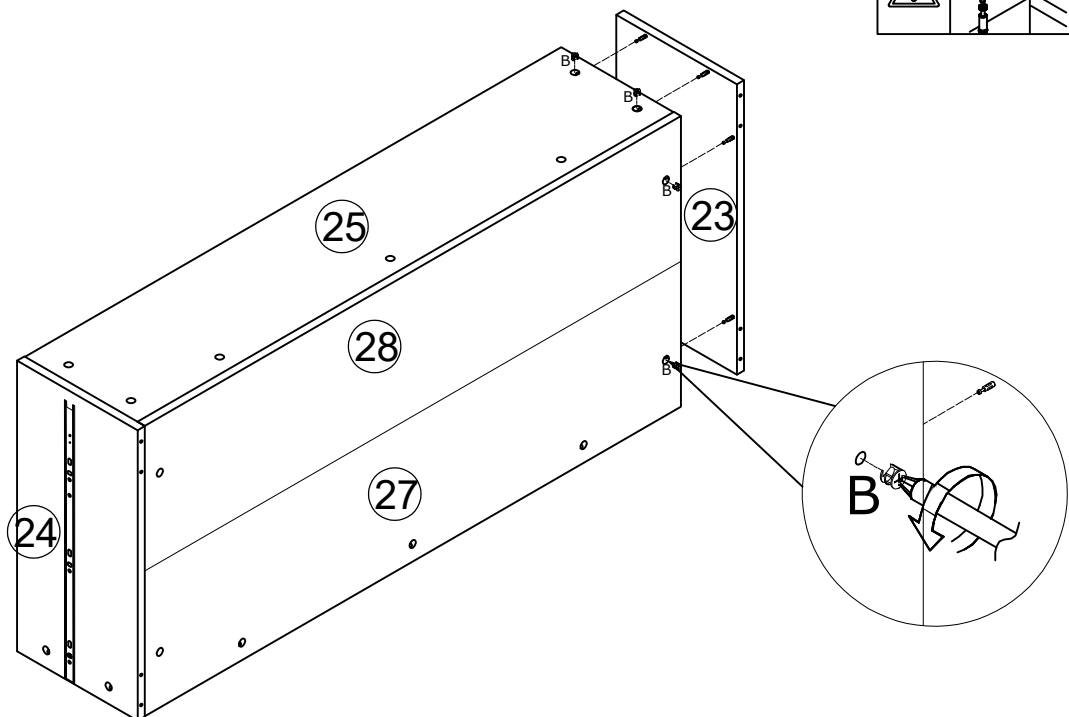
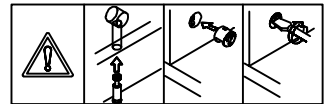
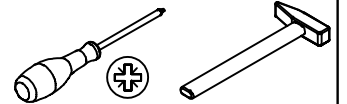


43

B x 4



Ø15 x 10mm

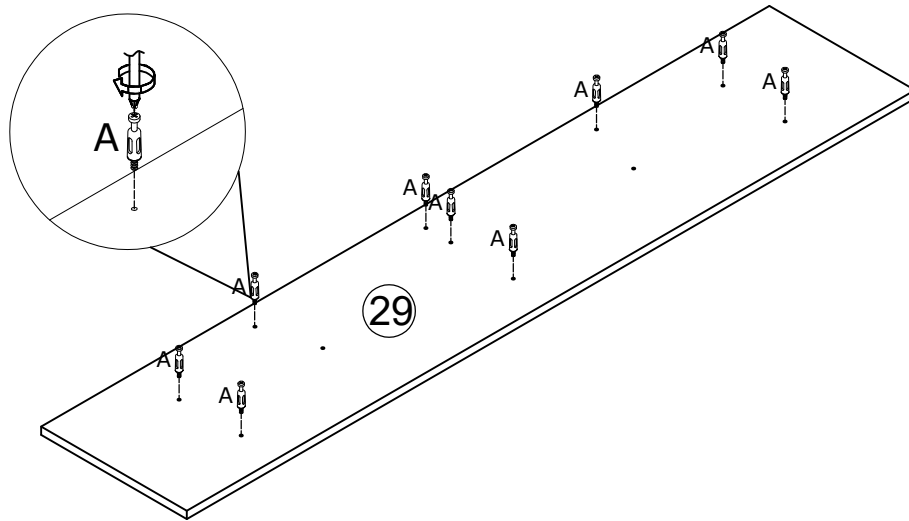
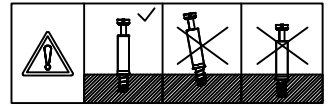
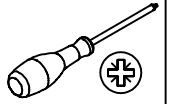


44

A x 9



Ø6 x 28mm

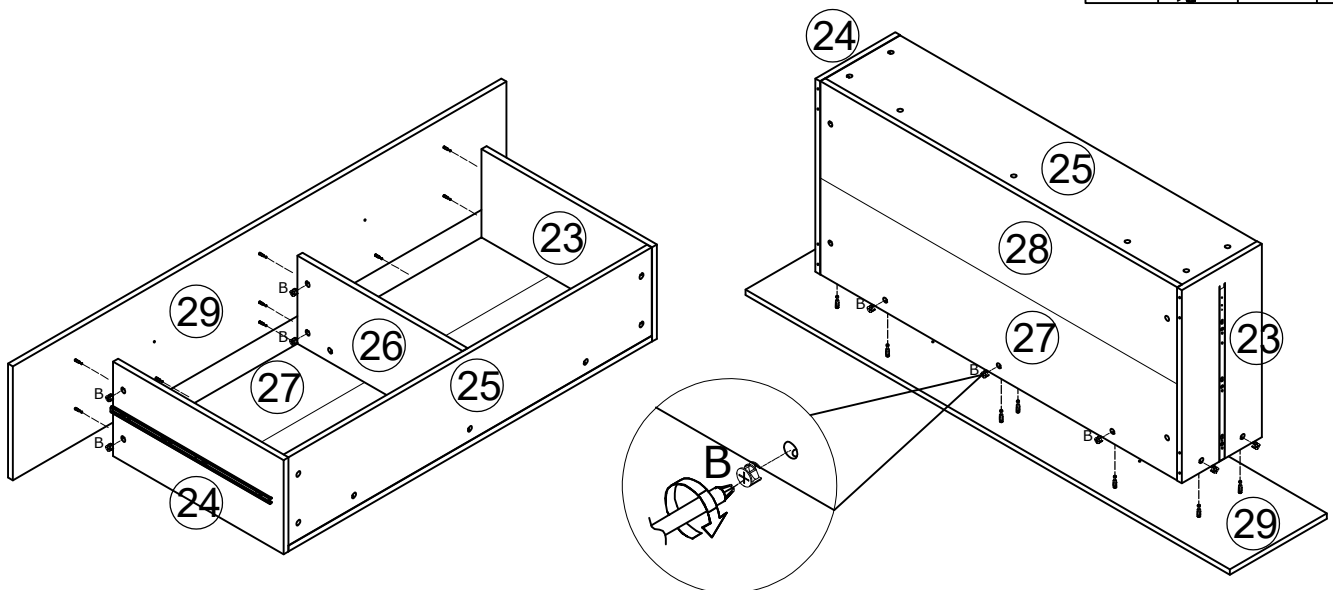
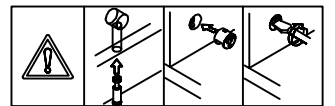
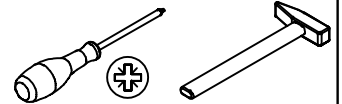


45

B x 9



Ø15 x 10mm



46

P x 8

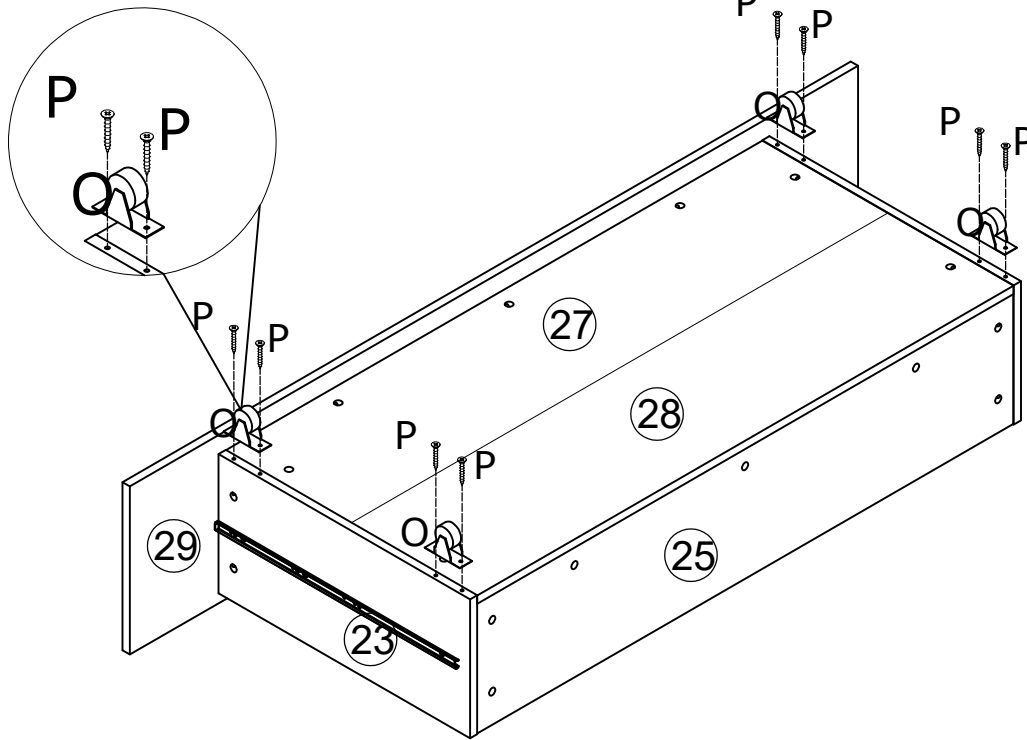
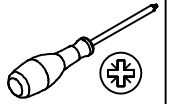


Ø3.5 x 25mm

O x 4



H52mm



47

X x 4

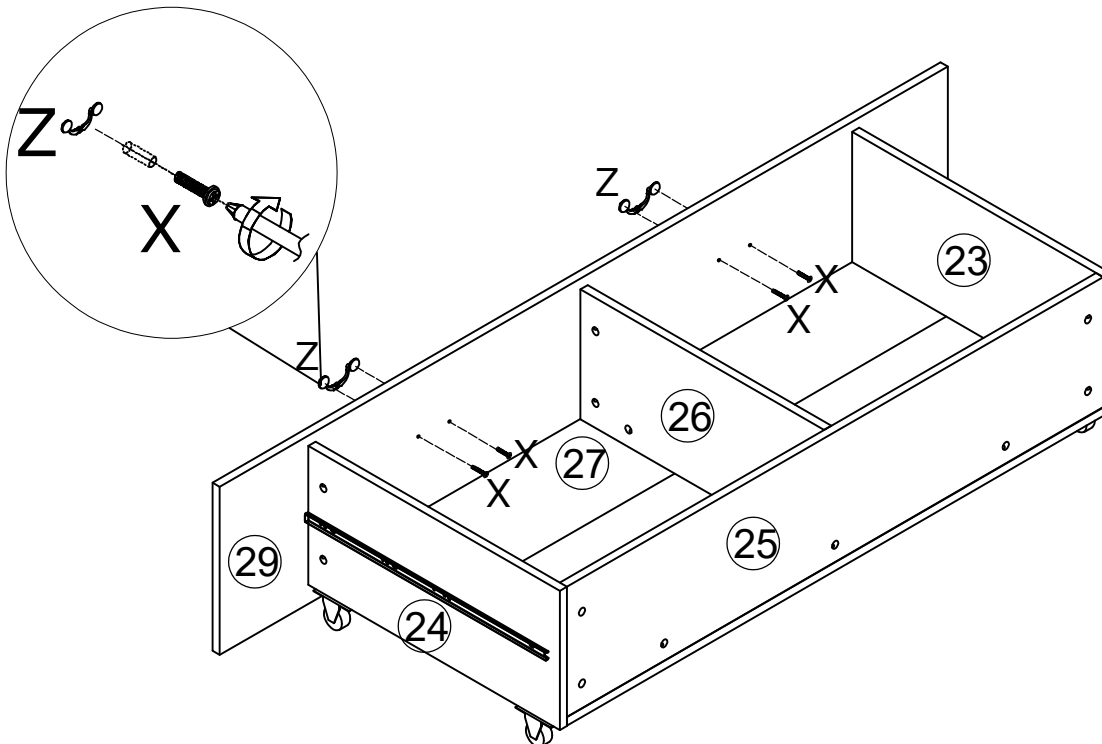
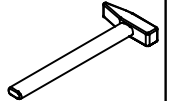
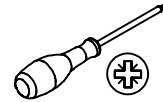


M4 X 18mm

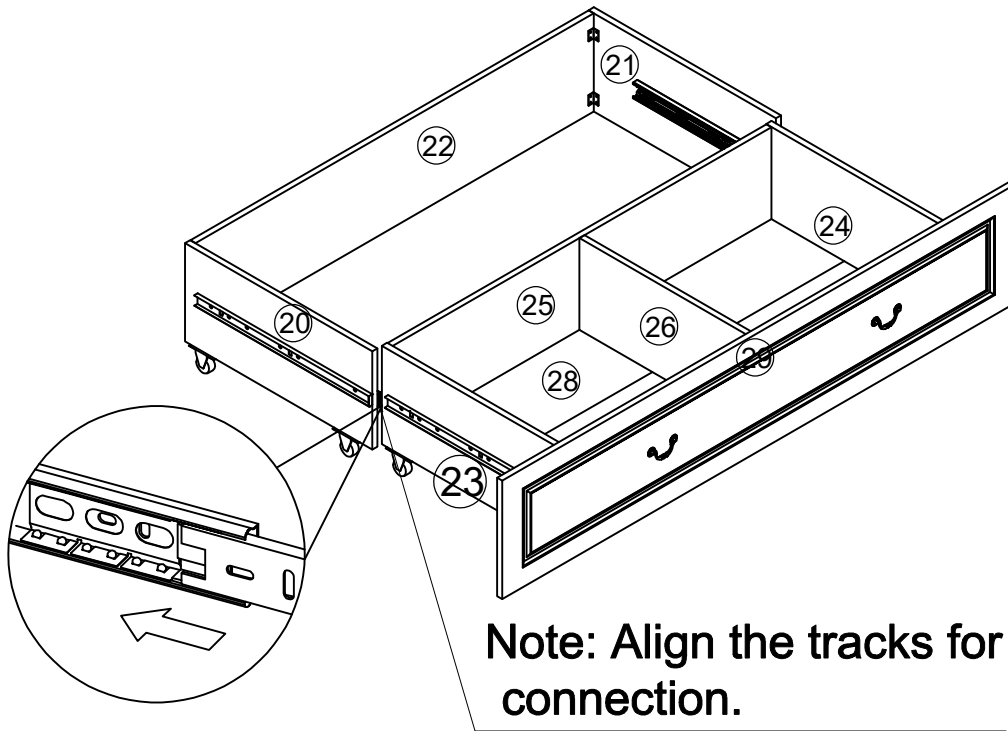
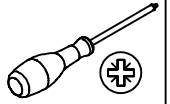
Z x 2



96mm

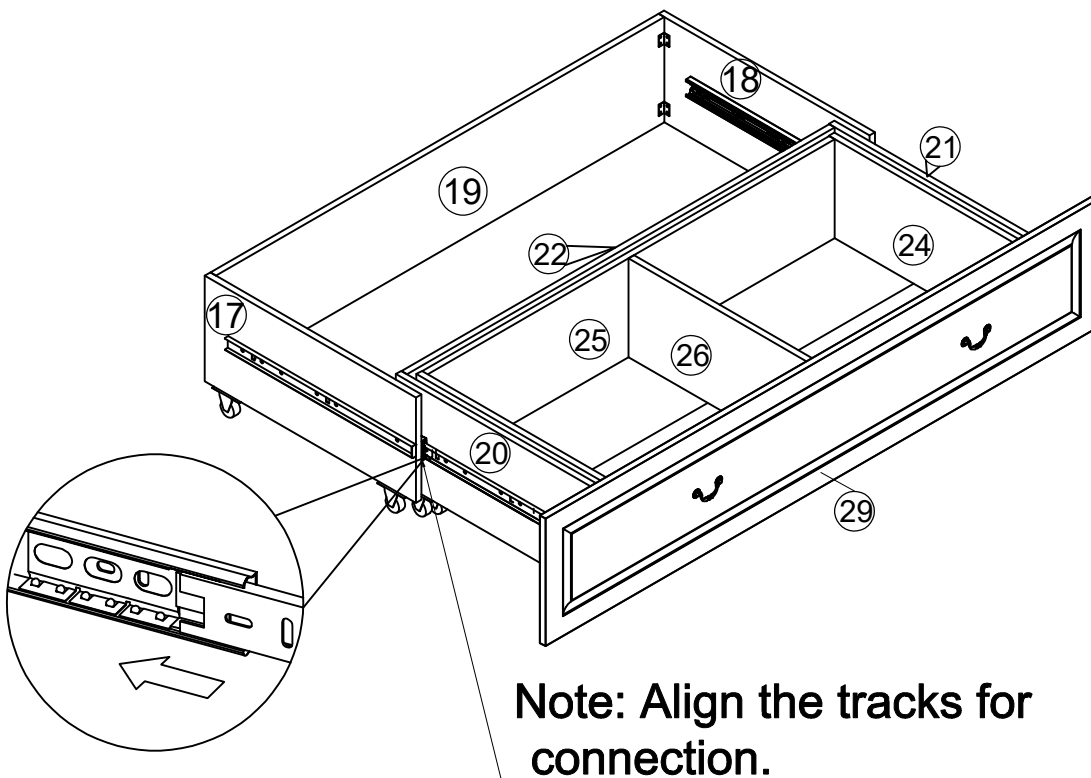
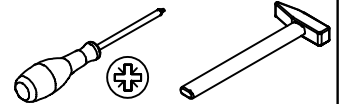


48



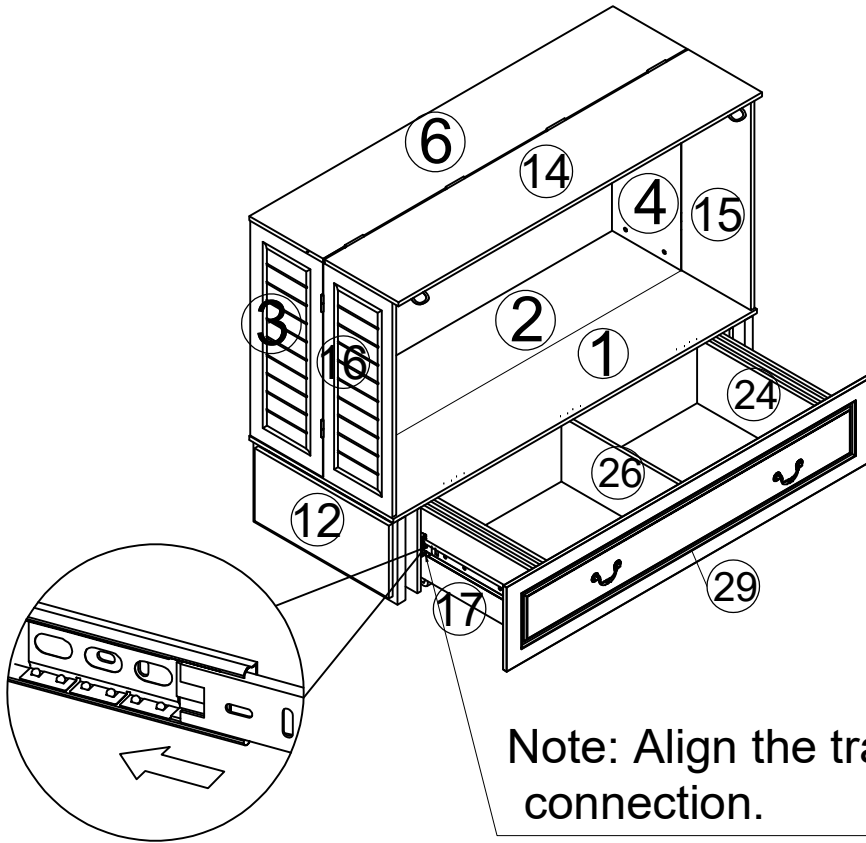
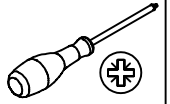
Note: Align the tracks for connection.

49



Note: Align the tracks for connection.

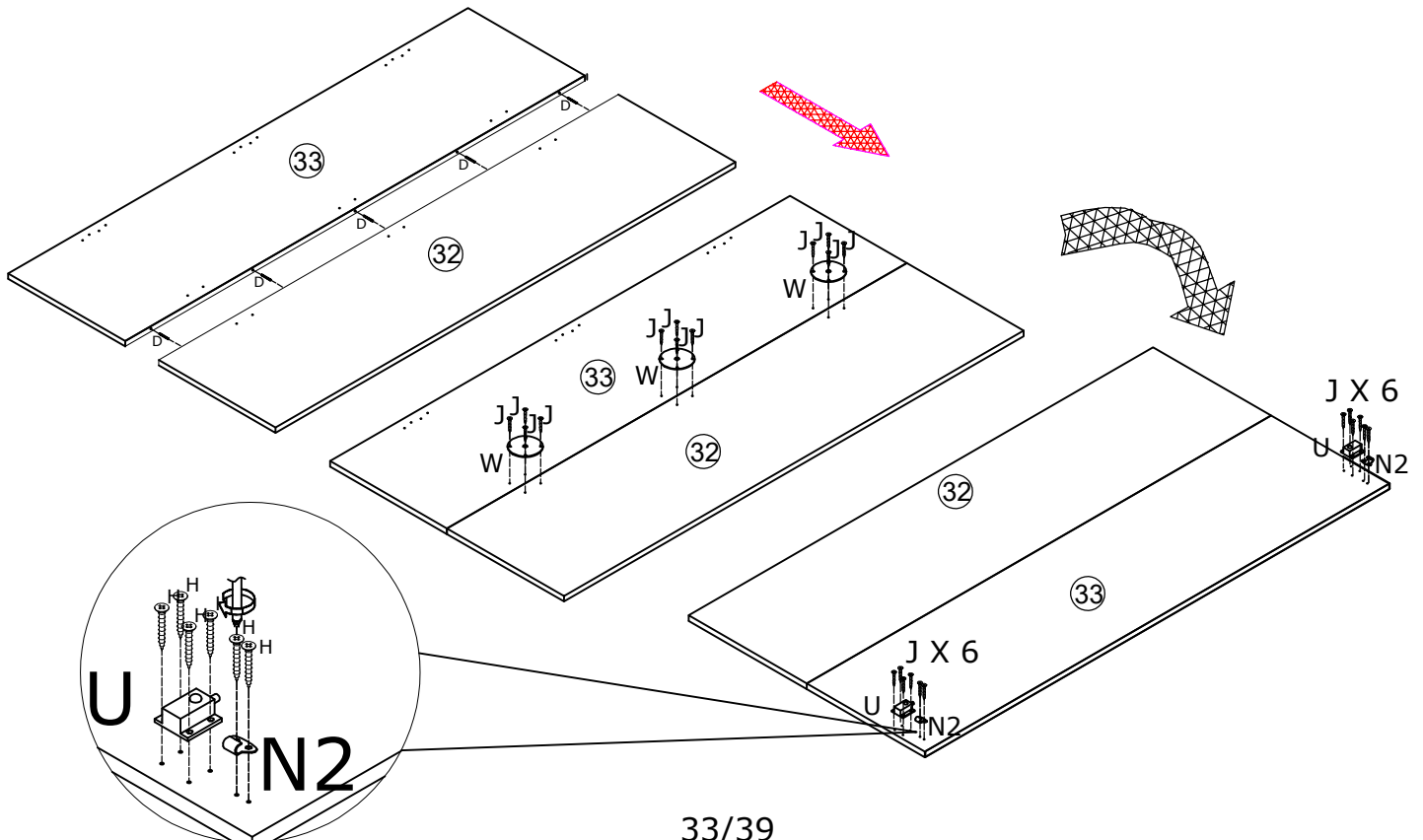
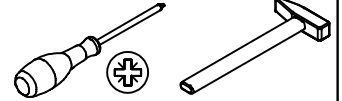
50



Note: Align the tracks for connection.

51

J x 24 Ø3.5 x 14mm	N x 2 Ø3.5 x 14mm	U x 2 37 X 36 X 17mm	D x 5 Ø8 x 40mm	W x 3 Ø80 x 2mm
---------------------------	--------------------------	-----------------------------	------------------------	------------------------



52

X x 15



Ø4 x 18mm

Y x 3

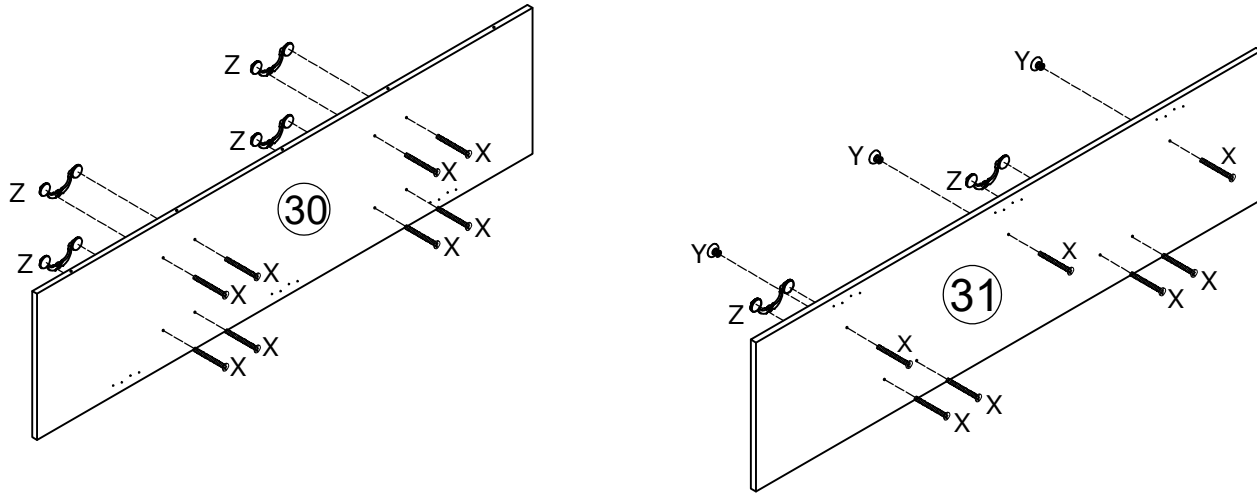
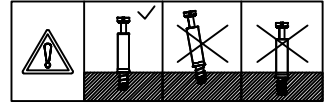
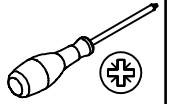


Ø30*20mm

Z x 6



96mm



53

W x 3



Ø80 x 2mm

J x 12

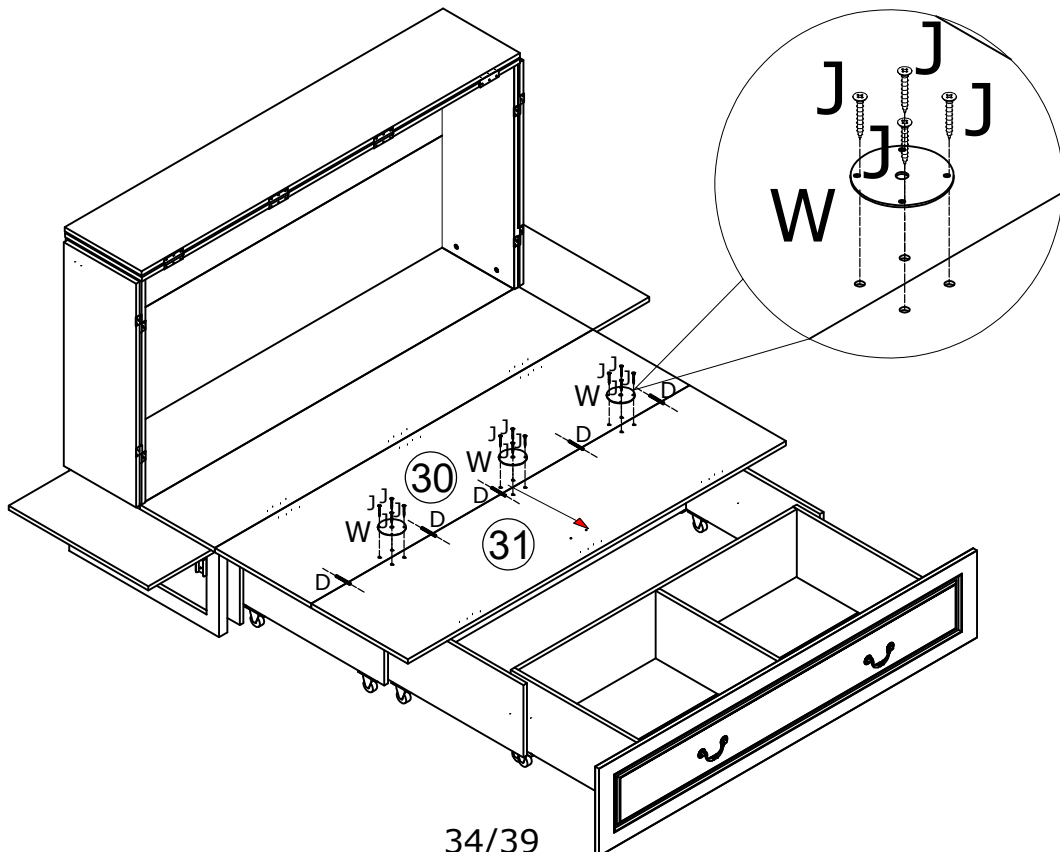


Ø3.5 x 14mm

D x 5



Ø8 x 40mm



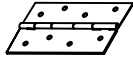
54

J x 48

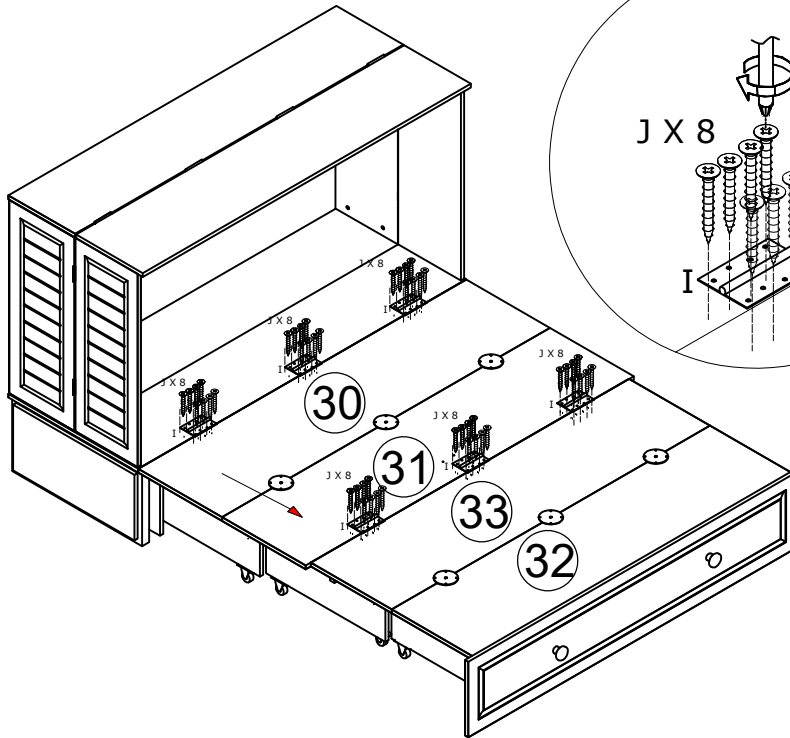
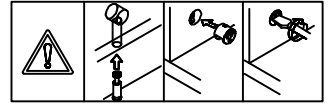
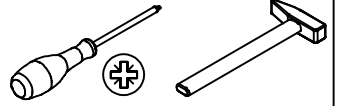


Ø3.5 x 14mm

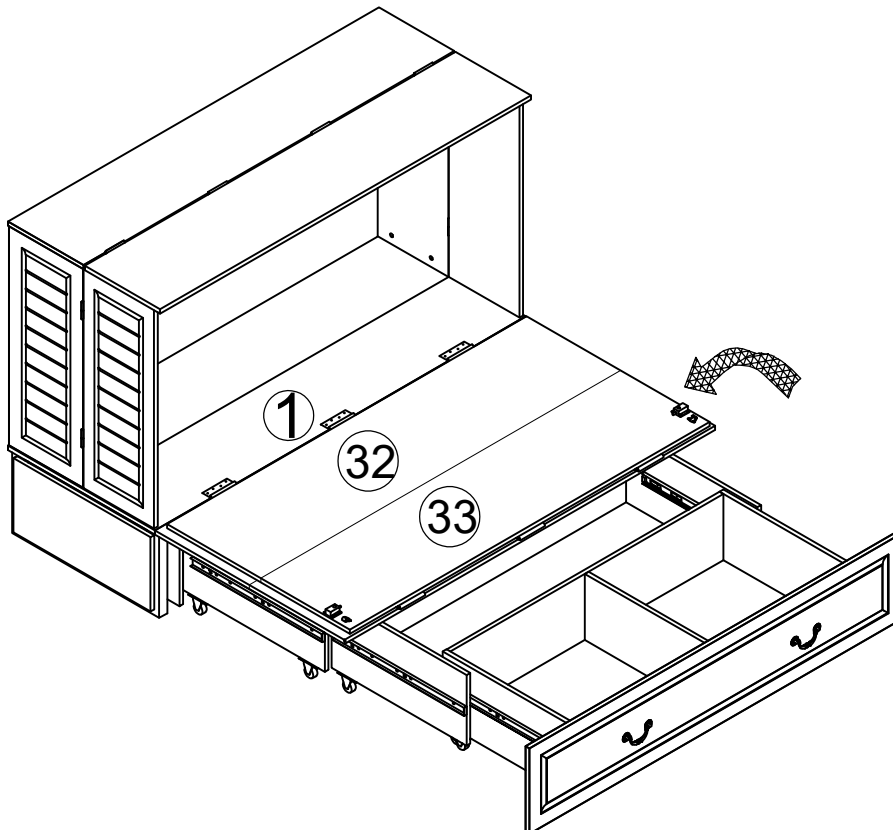
I x 6



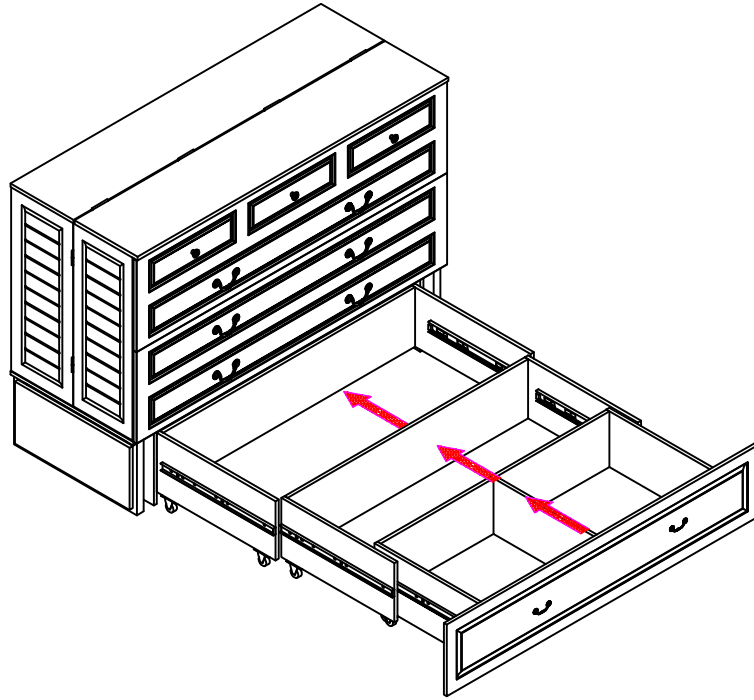
100 x 70mm



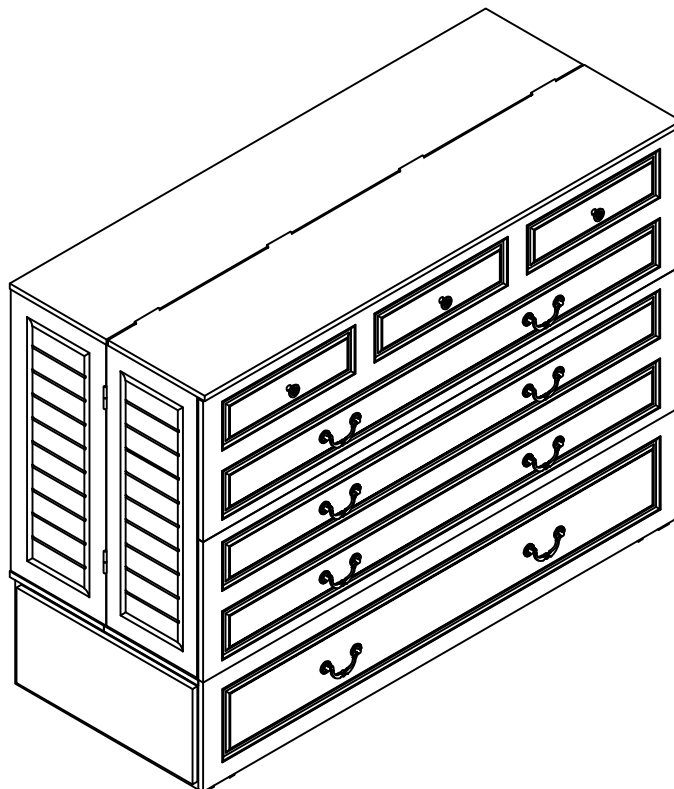
55



56

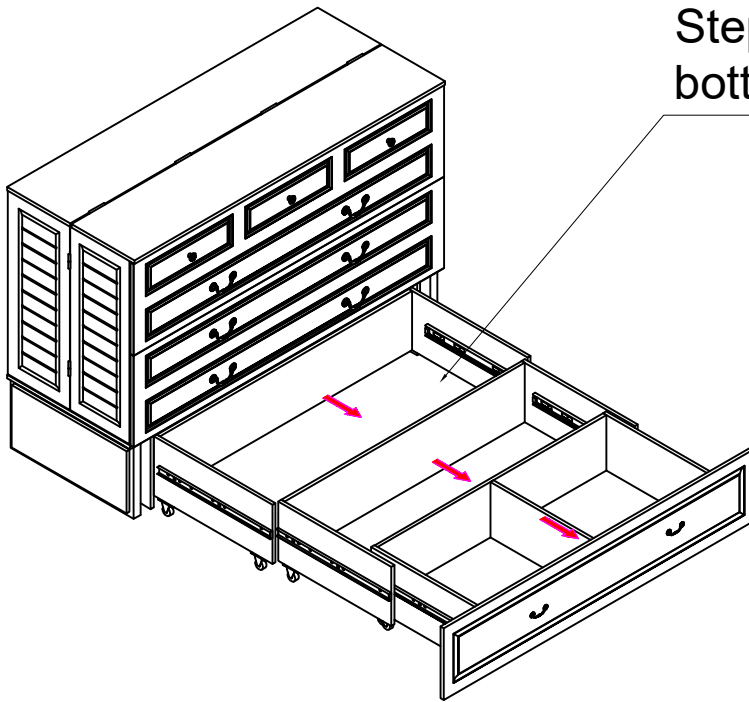
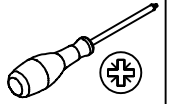


57



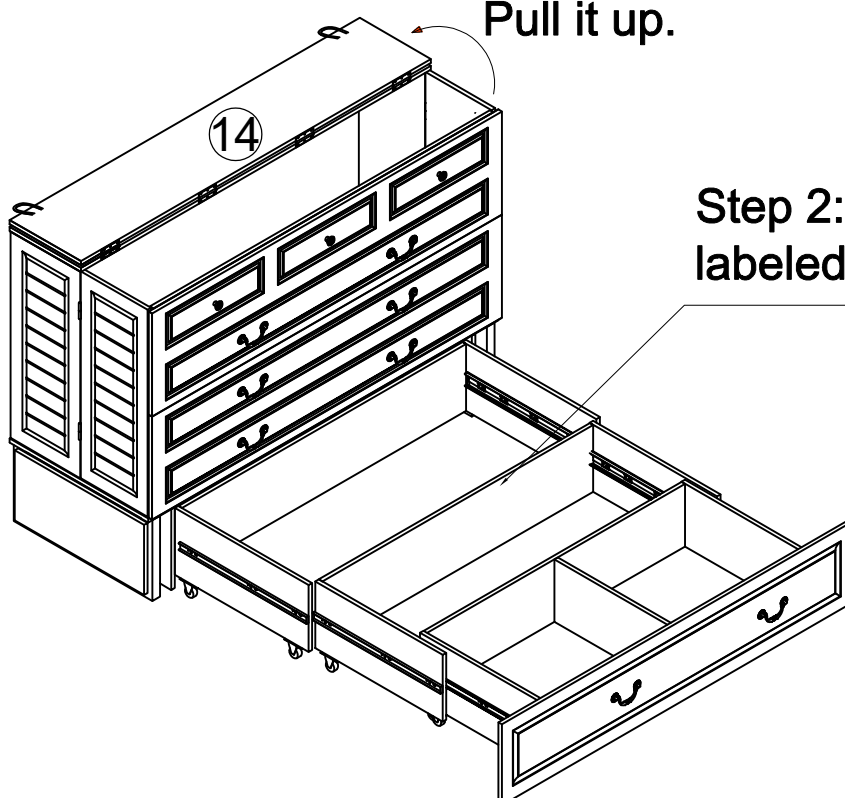
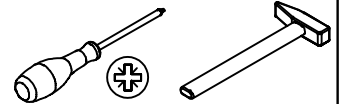
58

Instructions for use



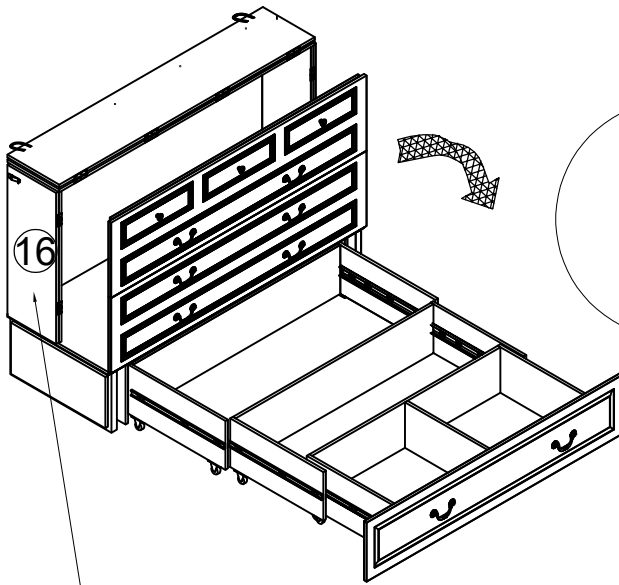
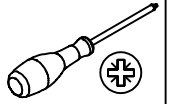
Step 1: First, pull out the bottom drawer.

59



Step 2: Open the top cover, labeled as (14).

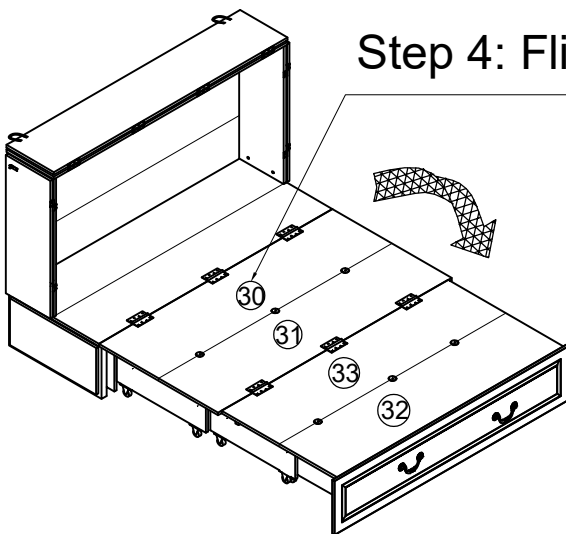
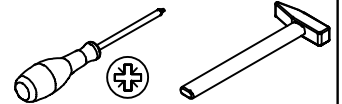
60



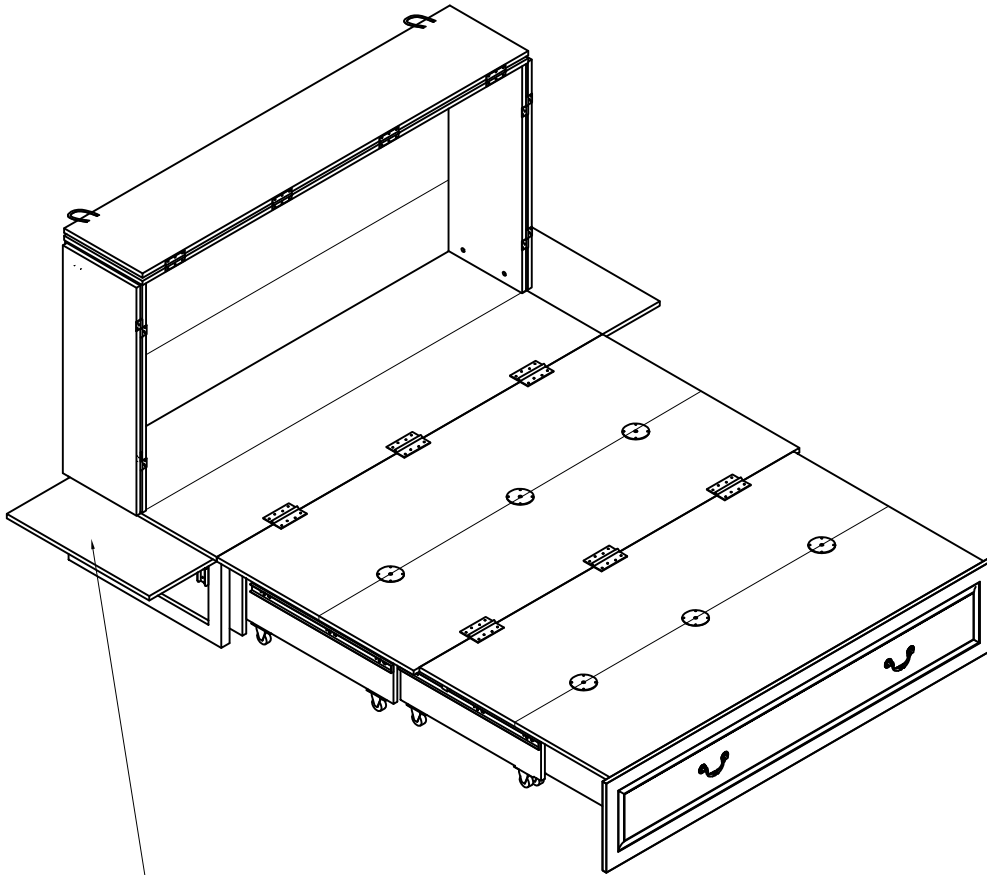
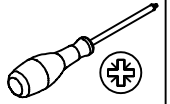
Lift the latch cover and open it.

Step 3: Open the side doors (labeled as 15 and 16) simultaneously, and gently place them on the bed board (labeled as 30.31 and 32.33).

61



Step 4: Flip up bed board (30.31) and lay it flat.



Step 5: Pull up supports (12 and 13) to prop up.

Note: When folding up supports (12 and 13), follow step 11, press the switch, lift up, and lower down.