



# **TEMPERED GLASS DINING TABLE**

# SAFETY & WARNINGS

## Warning

- Do not place very hot or very cold items on the glass surface(s) unless adequately thick table mats are used to prevent such items from coming into contact with the glass.
- Do not sit or stand upon the glass surface(s).
- Do not use the glass as a chopping surface. Do not strike the glass with hard or pointed items.
- When cleaning glass panels use a damp cloth or leather with washing up liquid or soft soap if necessary, do not use washing powders or any other substance containing abrasives since these substances scratch glass.

## Safety Information

- Check you have all the components and tools listed on pages 3.
- Remove all fittings from the plastic bags and separate them into their groups.
- Keep children and animals away from the work area. Small parts could choke if swallowed.
- Make sure you have enough space to layout the parts before starting.
- Do not stand or put excessive weight on the product this could cause damage.
- Parts of the assembly will be easier with 2 people.
- Place the product on flat and steady surface during use.
- Assemble on a soft level surface to avoid damaging the unit or your floor.
- Only upon completion of the assembly should all fixing points be fully tightened.

# COMPONENTS



A: Short Leg (x2)



B: Long Leg (x2)



C: Tabletop (x1)



D: Washer (x8)



E: Screw (x8)  
6 x 45mm



F: Allen Key (x1)

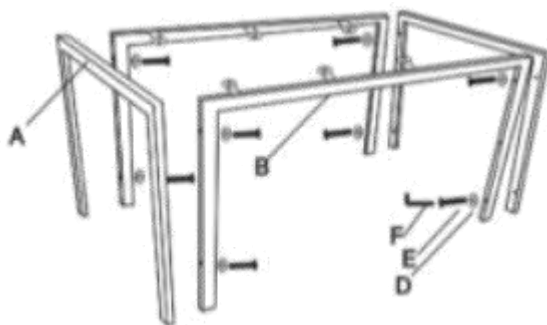


G: Sucker (x6)

# INSTALLATION

## Step 1

Attach short legs (A) to long legs (B) with washers (D) and screws (E) using Allen key (F).



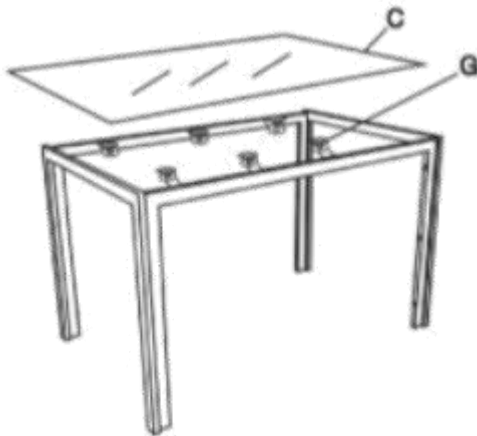
## Step 2

Short legs (A) and long legs (B) fixed together as shown.



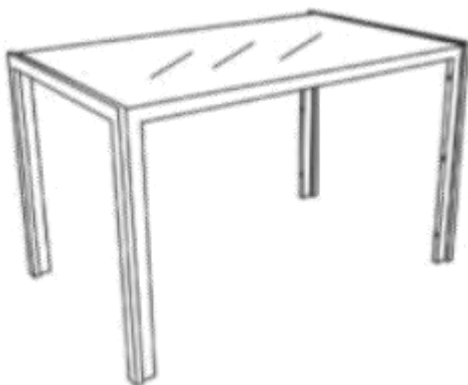
### Step 3

Mount the tabletop(C) on top of the metal frame with suckers (G).



### Step 4

The assembly is complete, you can put the table wherever you like.



## CLEANING & CARE

- Wipe regularly with clean water and a damp, clean, soft white cloth.
- General cleaning can be done as needed with a mild detergent and water solution.
- Always rinse with clean water and dry. For heavy soiling, dampen a soft white cloth or soft bristle brush. Use care as scrubbing can damage the surface.
- DO NOT use any cleaners with corrosive ingredients (lye, acids or ammonia).
- This product should not be discarded with household waste. Take to your local authority waste disposal centre.