

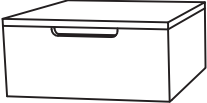





## CARE AND MAINTENANCE

Wipe clean with a soft, dry cloth. The seat board can be cleaned with a mild cleaner. Test the cleaning method on a hidden area before using them over the entire area.

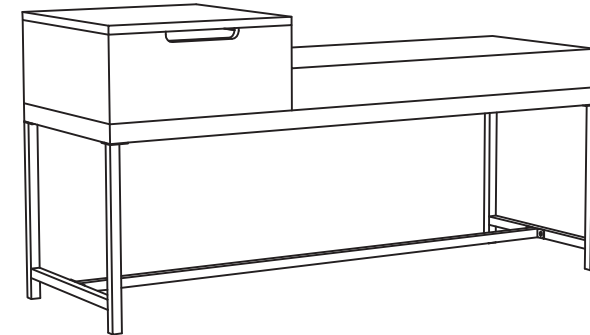
## NOTICE

- \* Please make sure that you have all parts indicated before you begin assembly of this item.
- \* This item should be assembled on a soft surface to prevent scratching the finished product during assembly.
- \* This item may require periodic tightening.
- \* Do not tighten bolts until completely assembled.

### Part List and Hardware List

Piece	Description	Picture	Quantity
A	DRAWER		1 X
B	LEG		2 X
C	ASSEMBLED TOP		1 X
D	CONNECTING BAR		1 X
H1	ALLEN BOLT 1/4* 5/8"		16 X
H2	ALLEN KEY 4mm		1 X

Product Dimensions: 47-1/4"W\*16"D\*24"H



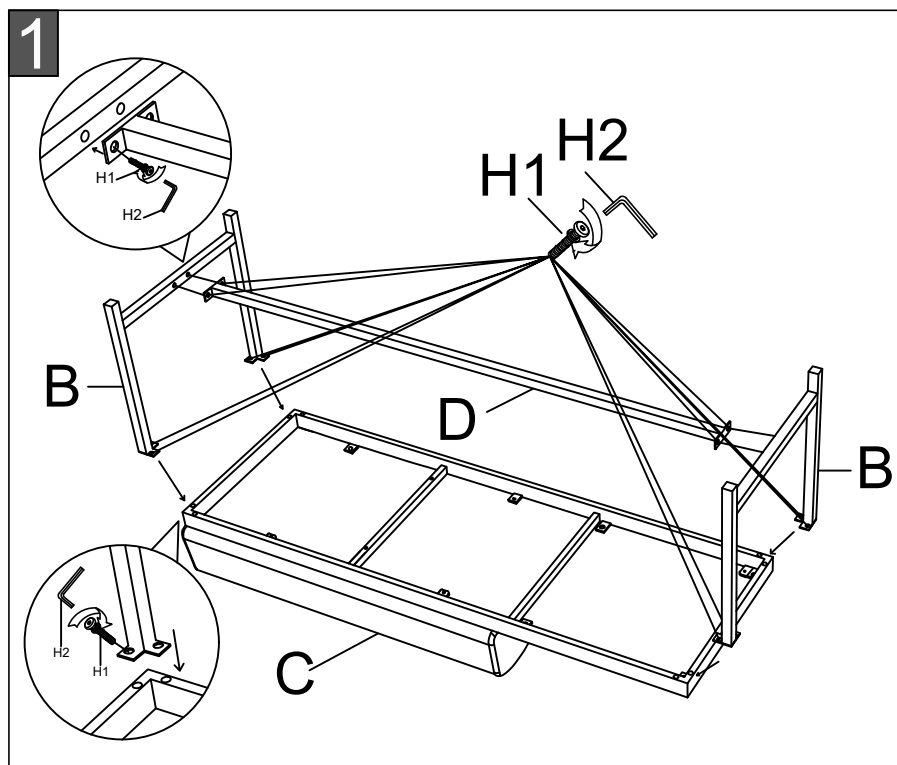
**Weight Capacity : 550 lbs on top of the product**  
**Warning : Do not stand on table**  
**Warning : Do not over torque bolts**

## PREPARATION

Before beginning assembly of product, make sure all parts are present. Compare parts with package contents list and hardware contents list. If any part is missing or damaged, do not attempt to assemble the product.

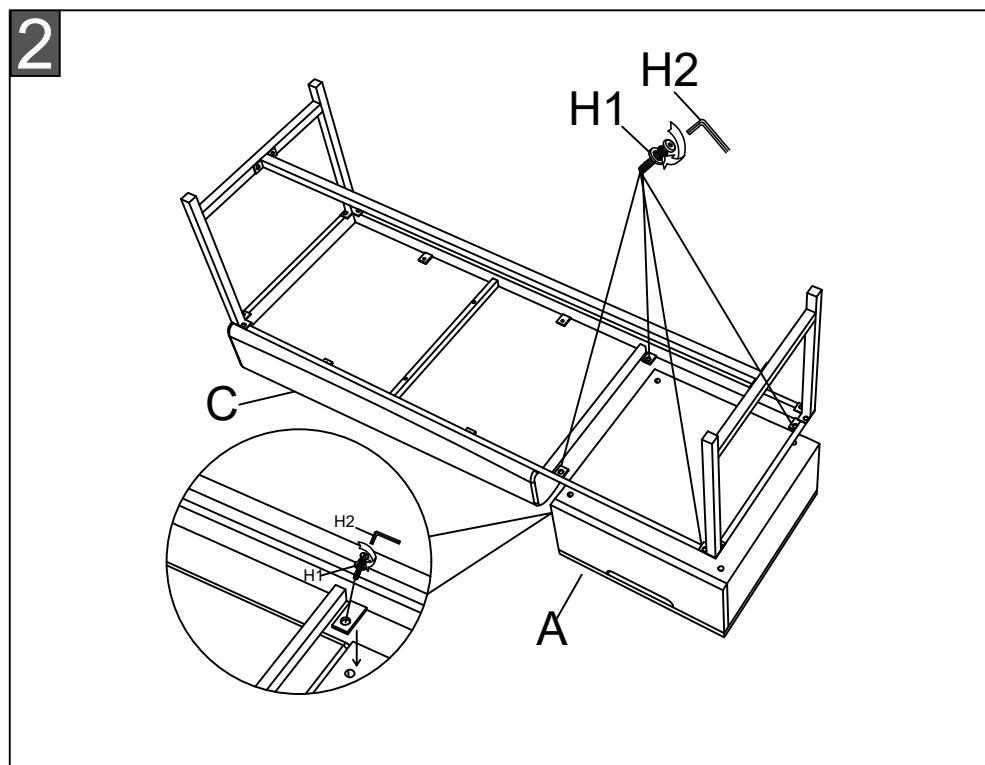
Estimated Assembly Time: 15 minutes.

Tools Required for Assembly (included): Allen key.



### Step 1:

Attach 2\*legs (B) \*\*The side with a screw hole is facing inward\*\* to assembled top (C) and connecting bar (D). Use Allen key (H2) to lock with 12\*Allen bolts (H1), as picture.



### Step 2:

Attach the assembled base to the underneath of drawer (A) by using the Allen key (H2) to lock with 4\*Allen bolts (H1), as picture.

Straighten up the assembled product, assembly is completed.

The drawer (A) is available to assemble on both position (left or right).