


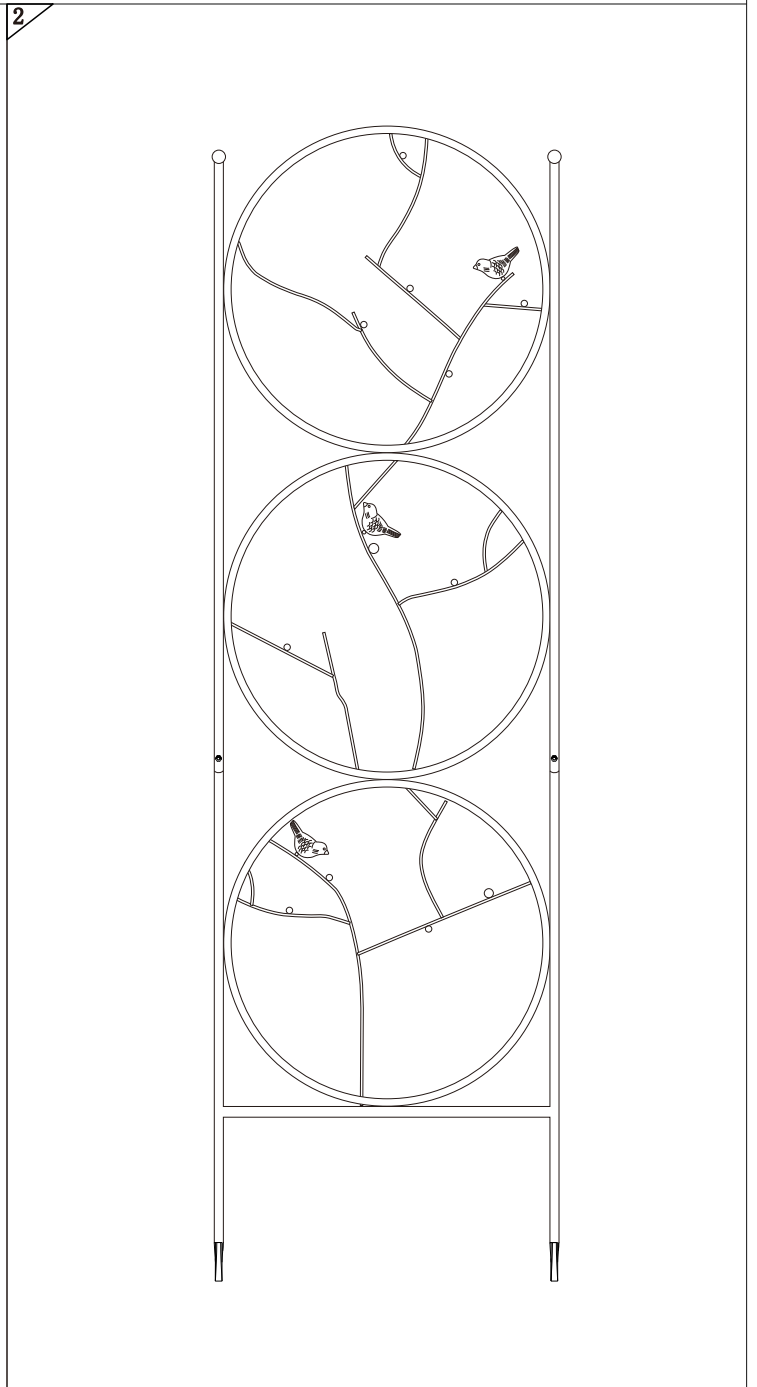
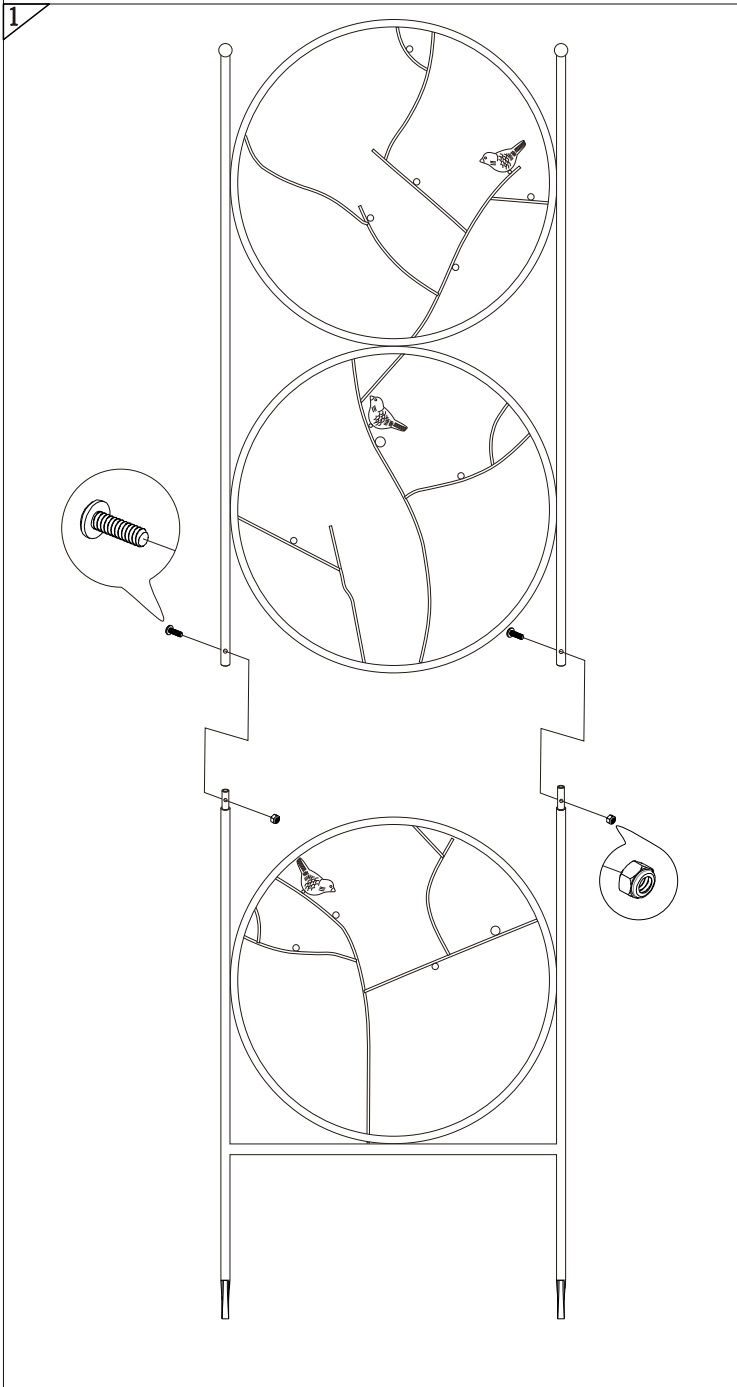
Plow & Hearth®

Item#: 53886 Product Name: Birds in Circles Trellis


M5x23mm
2PCS


M5
2PCS


1PC



Plow & Hearth®

Item #: M49009 Product Name: Birds in Circles Trellis

Approximate time to assemble: 5 minutes

Keep These Instructions for Future Use

Outdoor Use



This attractive trellis made of powder coated wrought iron can be placed in your flower garden to add support for climbing or taller annuals and perennials.

ASSEMBLY

Position the top and bottom halves of the trellis to align the holes of the two connection points. Insert the two bolts and secure them with the two nuts. Tighten the bolts and nuts using a Phillips Head screwdriver (not included) and the small wrench (included). Place the assembled trellis in a location of your choice, pushing the two bottom prongs into the soil.

CARE

At the end of the growing season, remove any dead entangled vines or stalks, wipe clean, and store trellis until the next season.