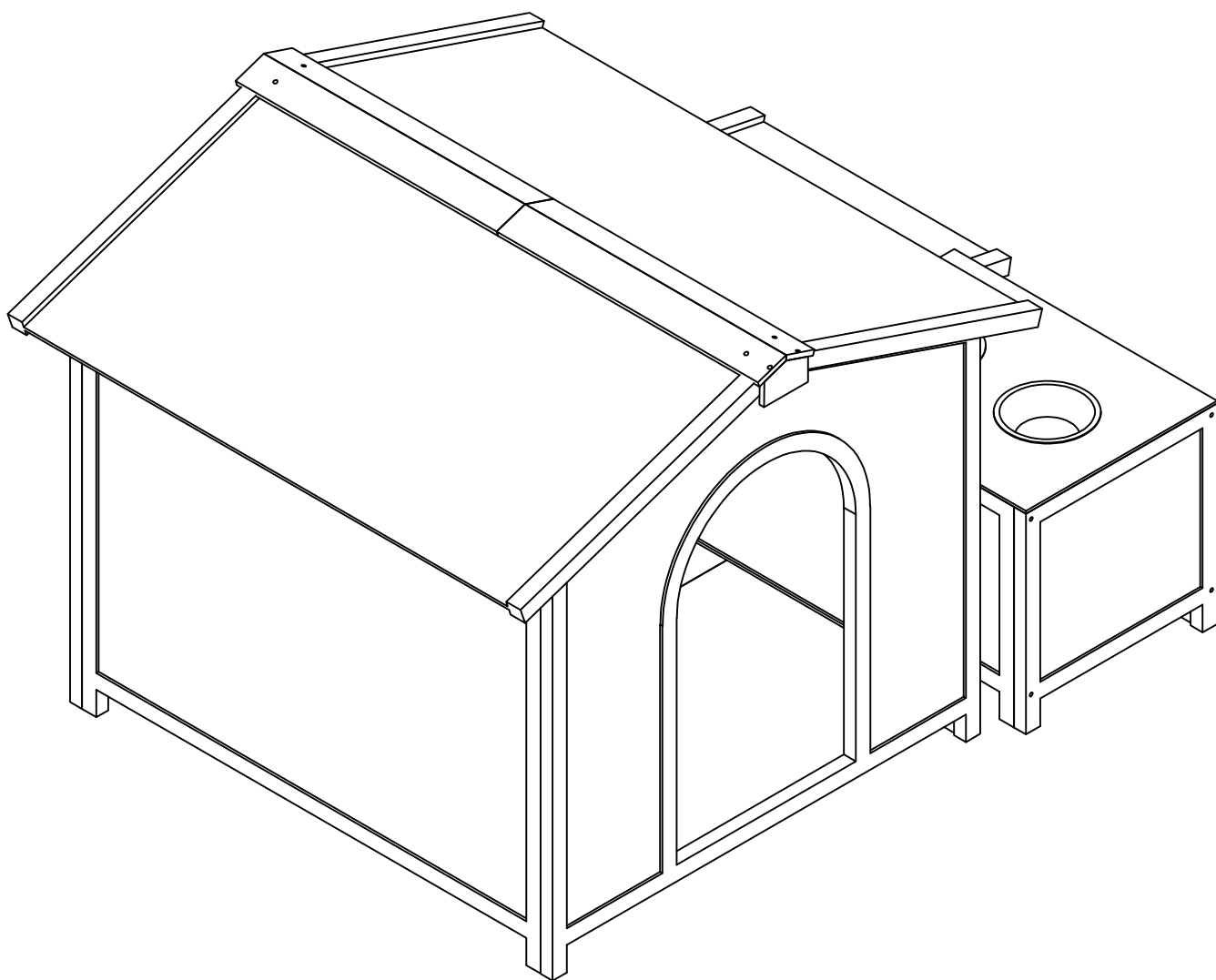
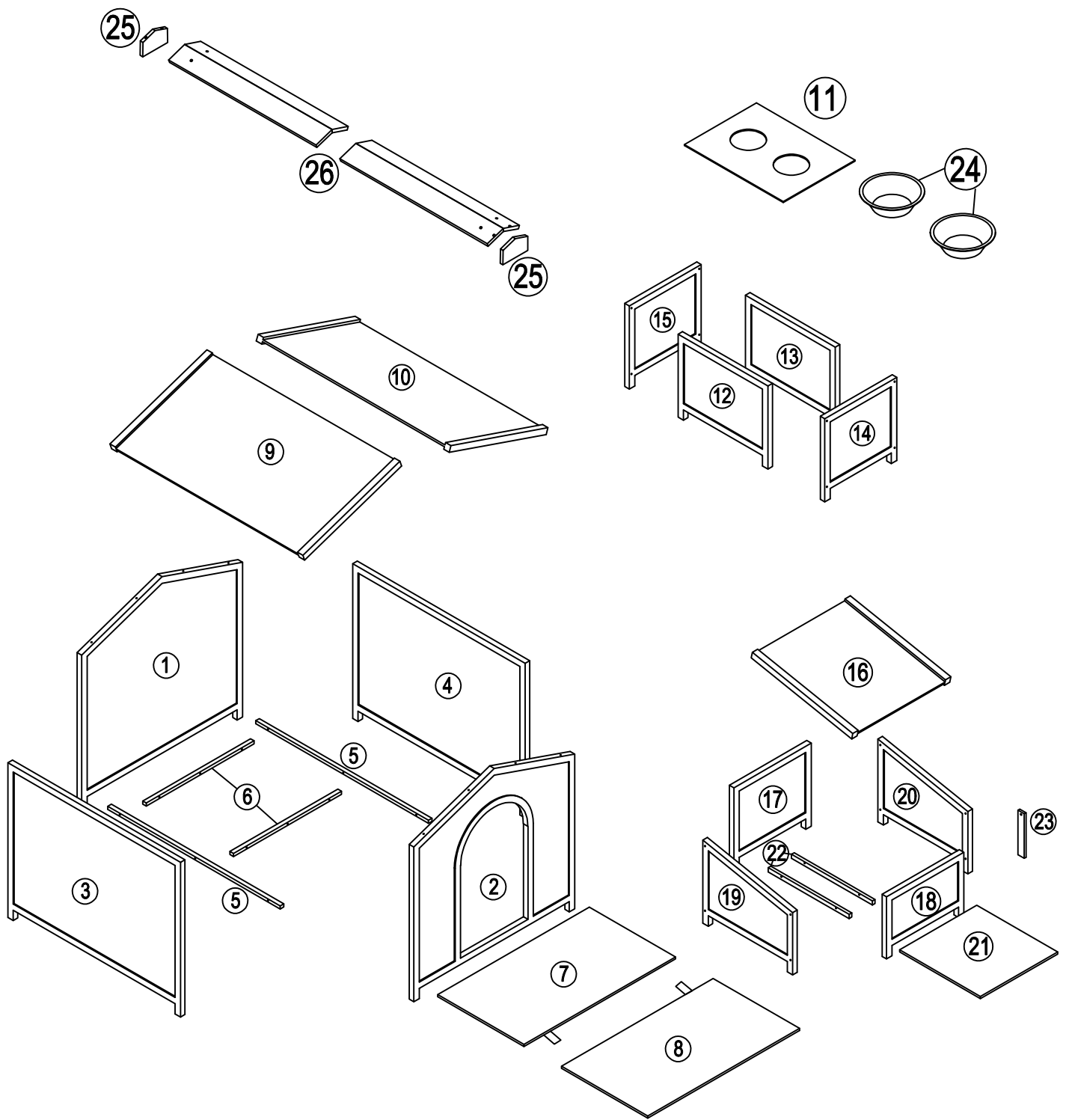


DOG HOUSE ASSEMBLY INSTRUCTIONS

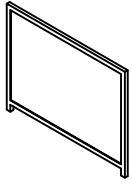


WF318643AAA

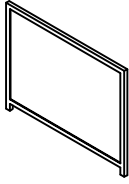
WF318644AAA



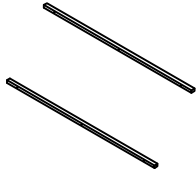
WF318644AAA



3

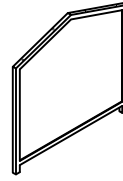


4

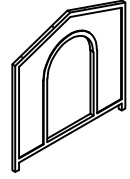


5

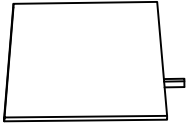
WF318643AAA



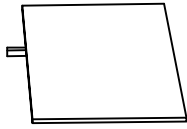
1



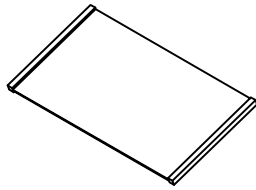
2



7



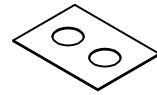
8



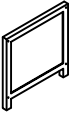
9



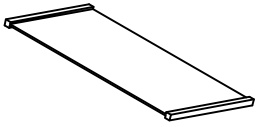
6



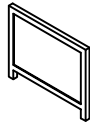
11



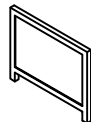
14



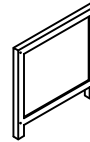
10



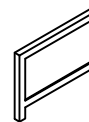
12



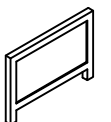
13



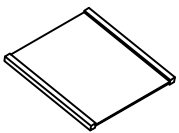
15



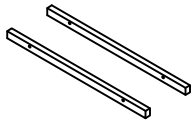
17



18



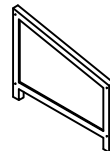
16



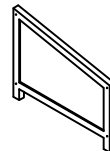
22



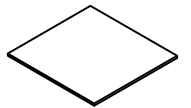
23



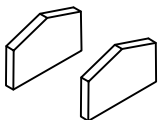
19



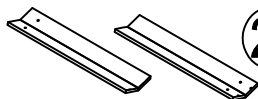
20



21



25




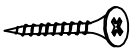
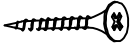
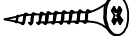



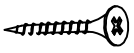
26



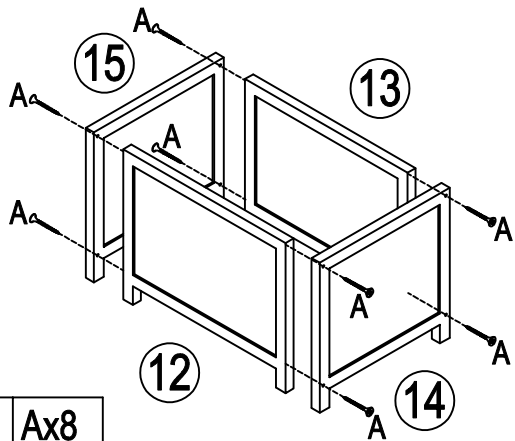
24



HARDWARE

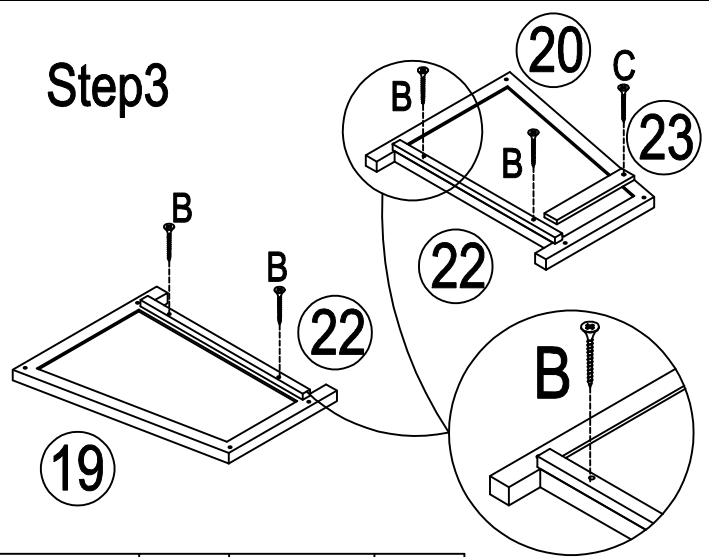
A		M3.5x40mm	24
B		M3.5x35mm	18
C		M3.5x20mm	21
D		M3.5x10mm	8
E			2
F			2
G			1
H		M3.5x12mm	4

Step1



 Ax8

Step3

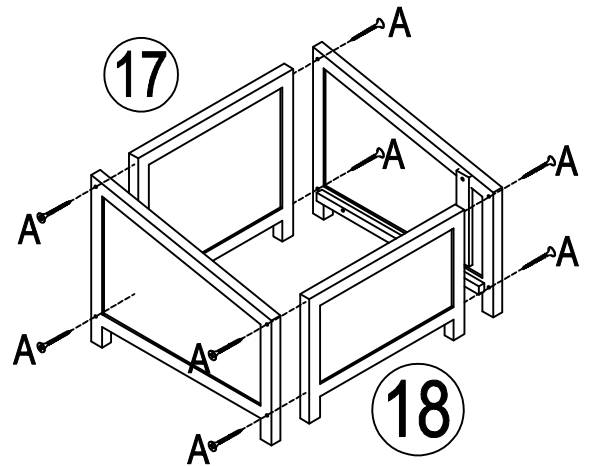


 Bx4

 Cx1

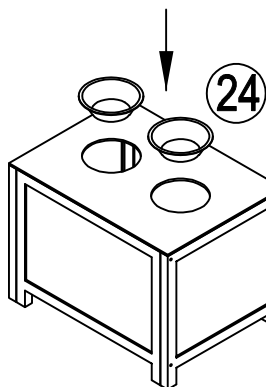
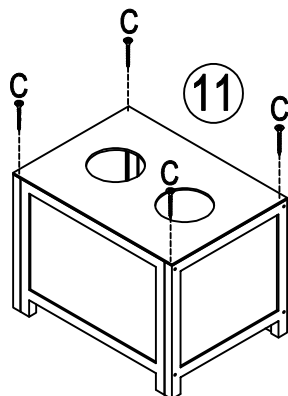
Align two bottom lines

Step4



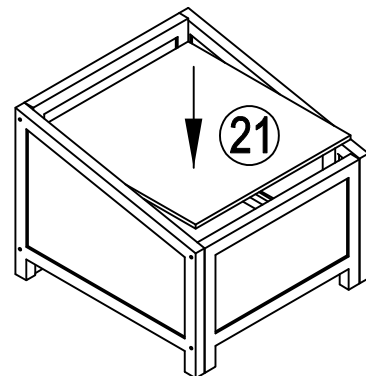
 Ax8

Step2

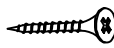
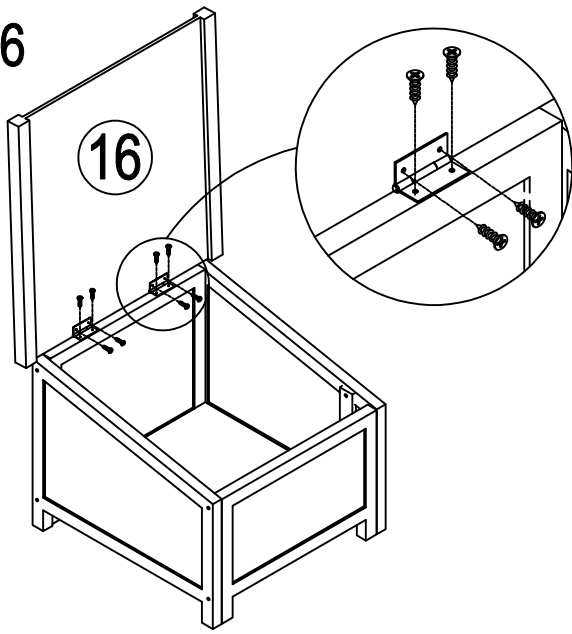


 Cx4

Step5



Step6

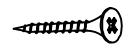
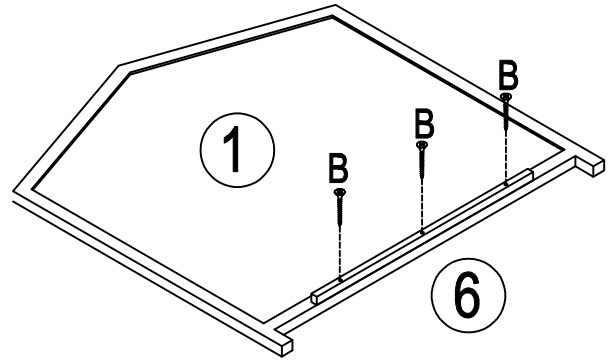


Dx8



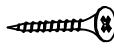
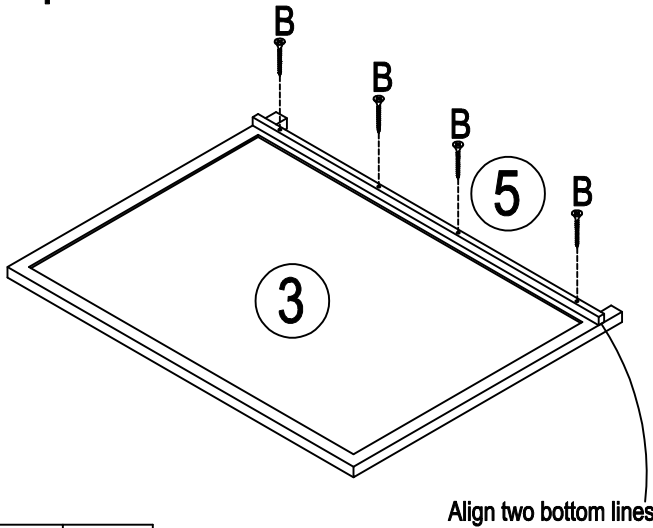
Ex2

Step9



Bx3

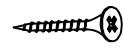
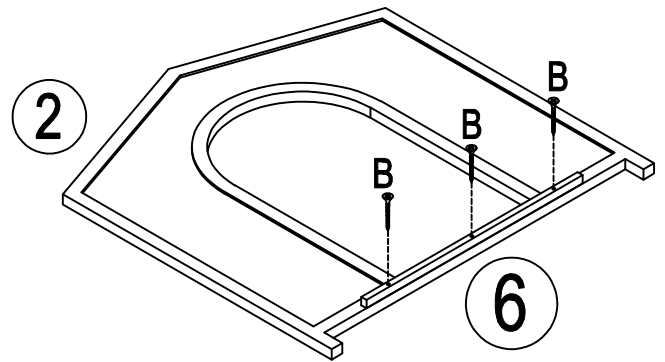
Step7



Bx4

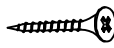
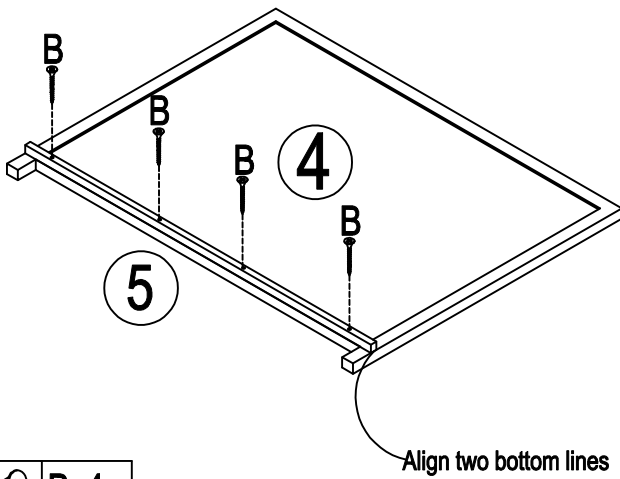
Align two bottom lines

Step10



Bx3

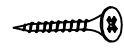
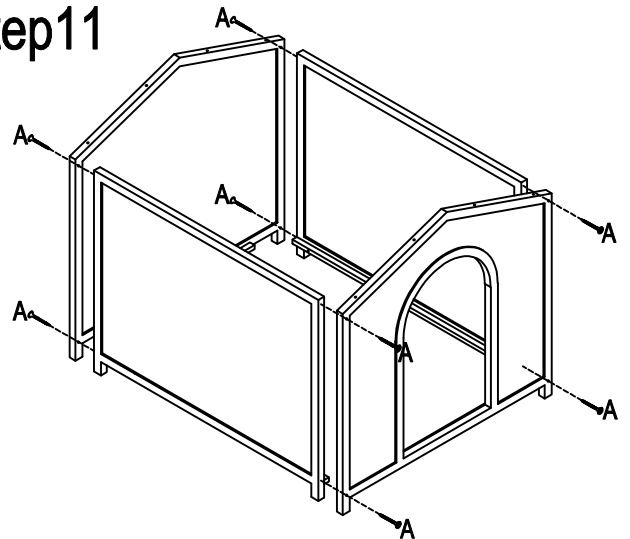
Step8



Bx4

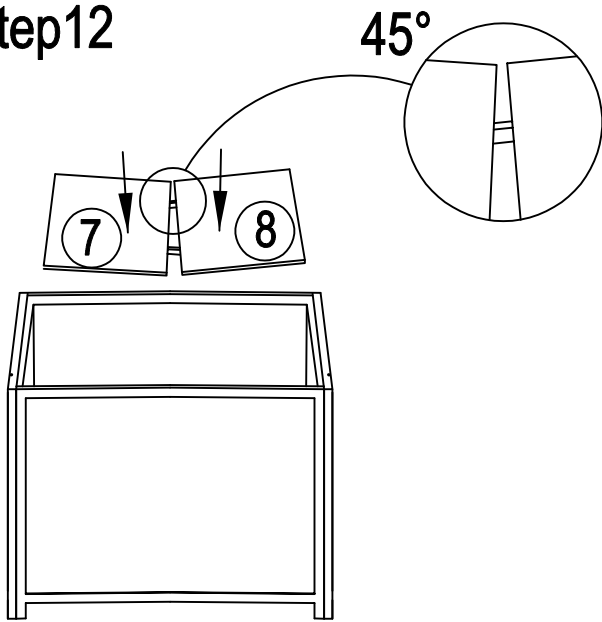
Align two bottom lines

Step11

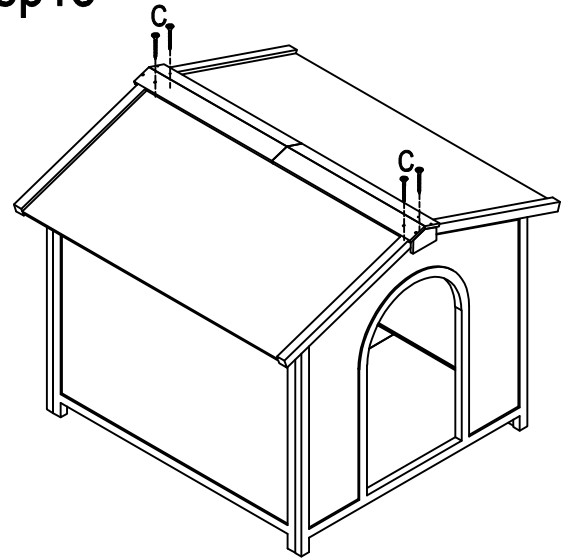


Ax8

Step12

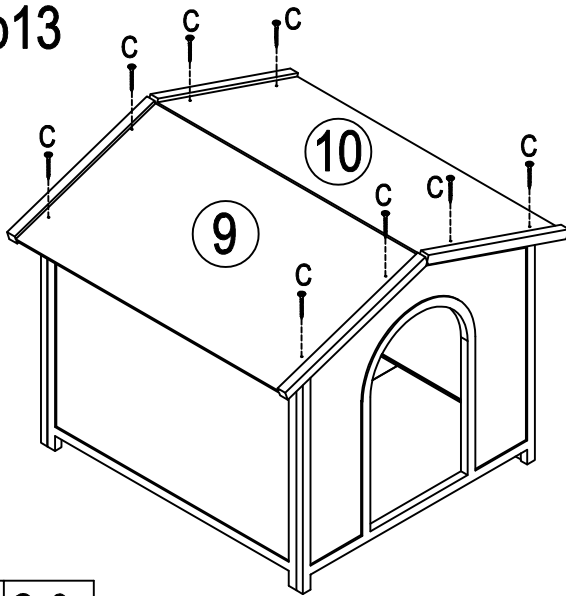


Step15



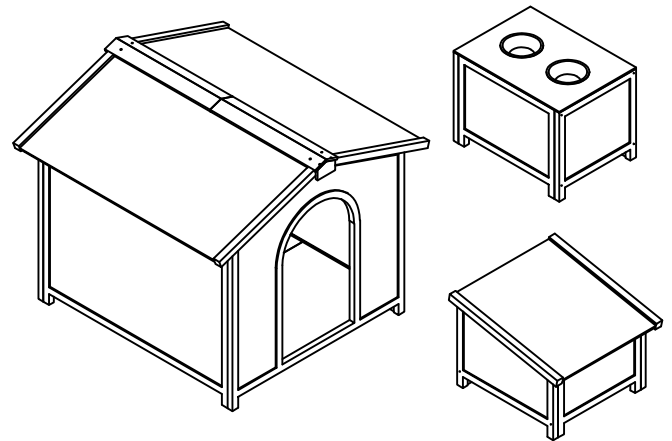
 Cx4

Step13

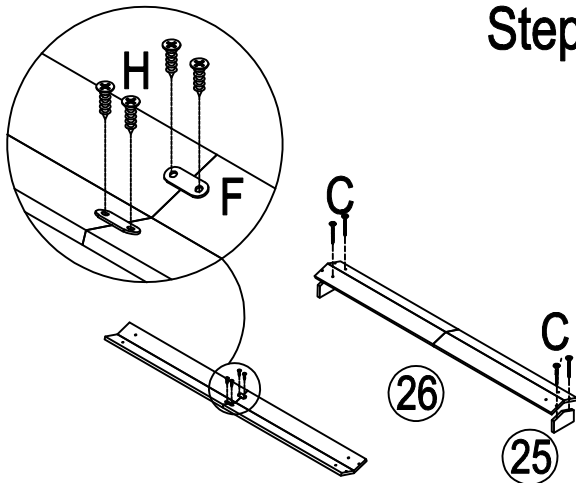


 Cx8

Step16




Step14



 Hx4

 Cx4

 Fx2