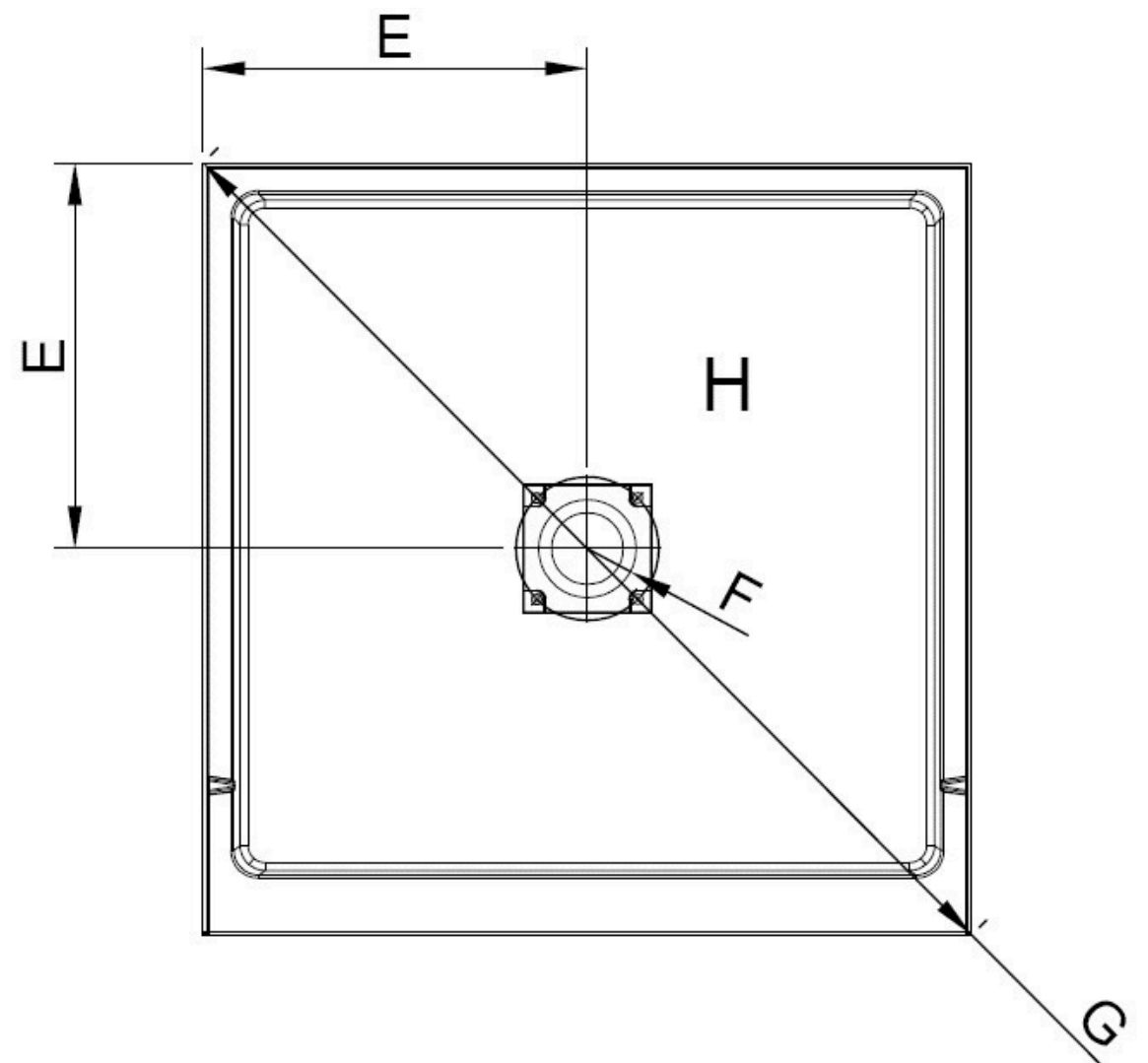
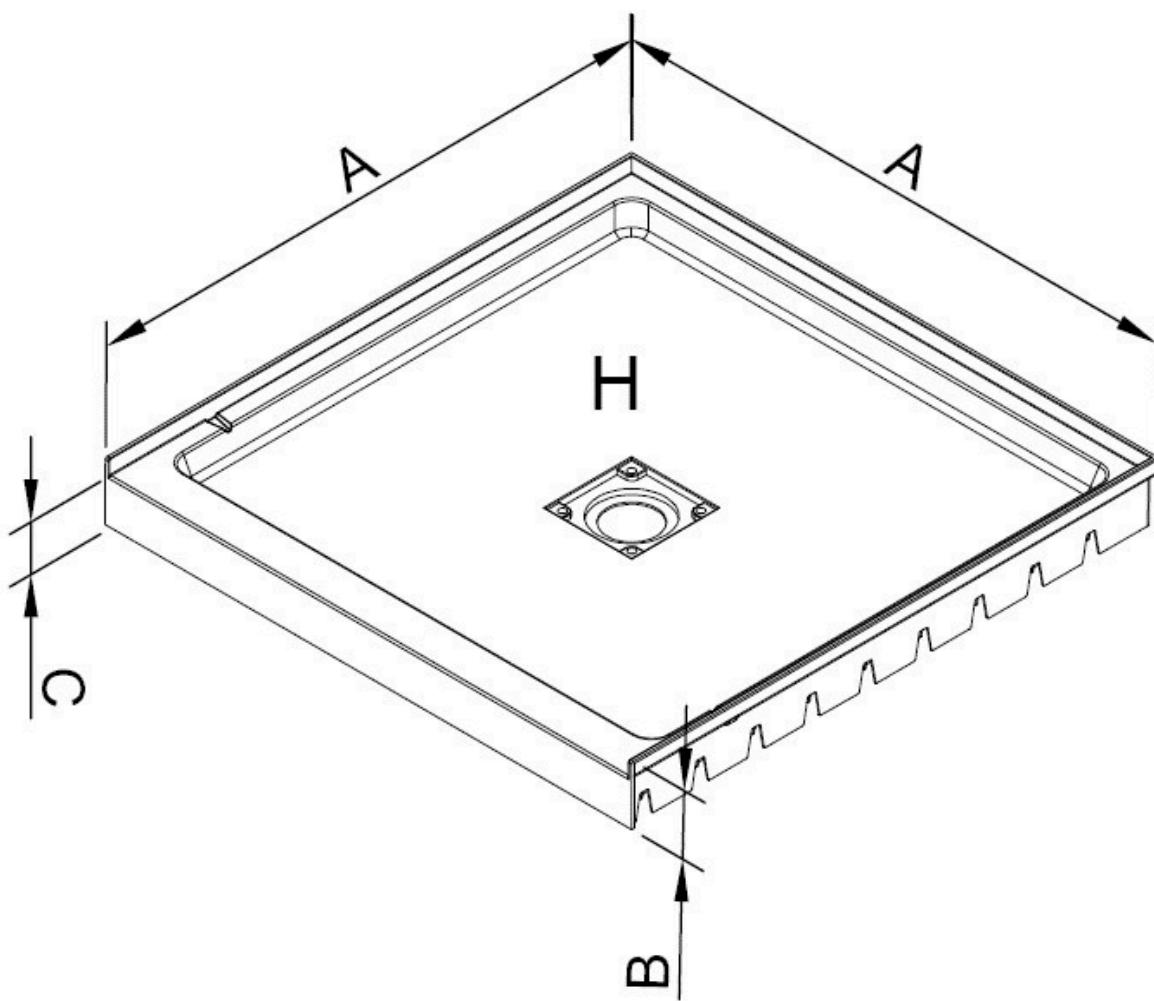


York Shower Kit Measurements

#	Measurements - base	36"x 36" Alcove
A	Shower base depth (front to back)	36"
B	Shower base height (side to side)	3-15/16"
C	Threshold height (Without flange)	3"
D	Shower base depth (side to side)	36"
E	Drain distance from the corner	18"
F	Drain opening diameter	3-3/8"
G	Base edge length (maximum)	50-15/16"
H	Finished surface area	8.98 sq. ft



Copyright © 2005 - 2024 Dreamwerks. All rights reserved.

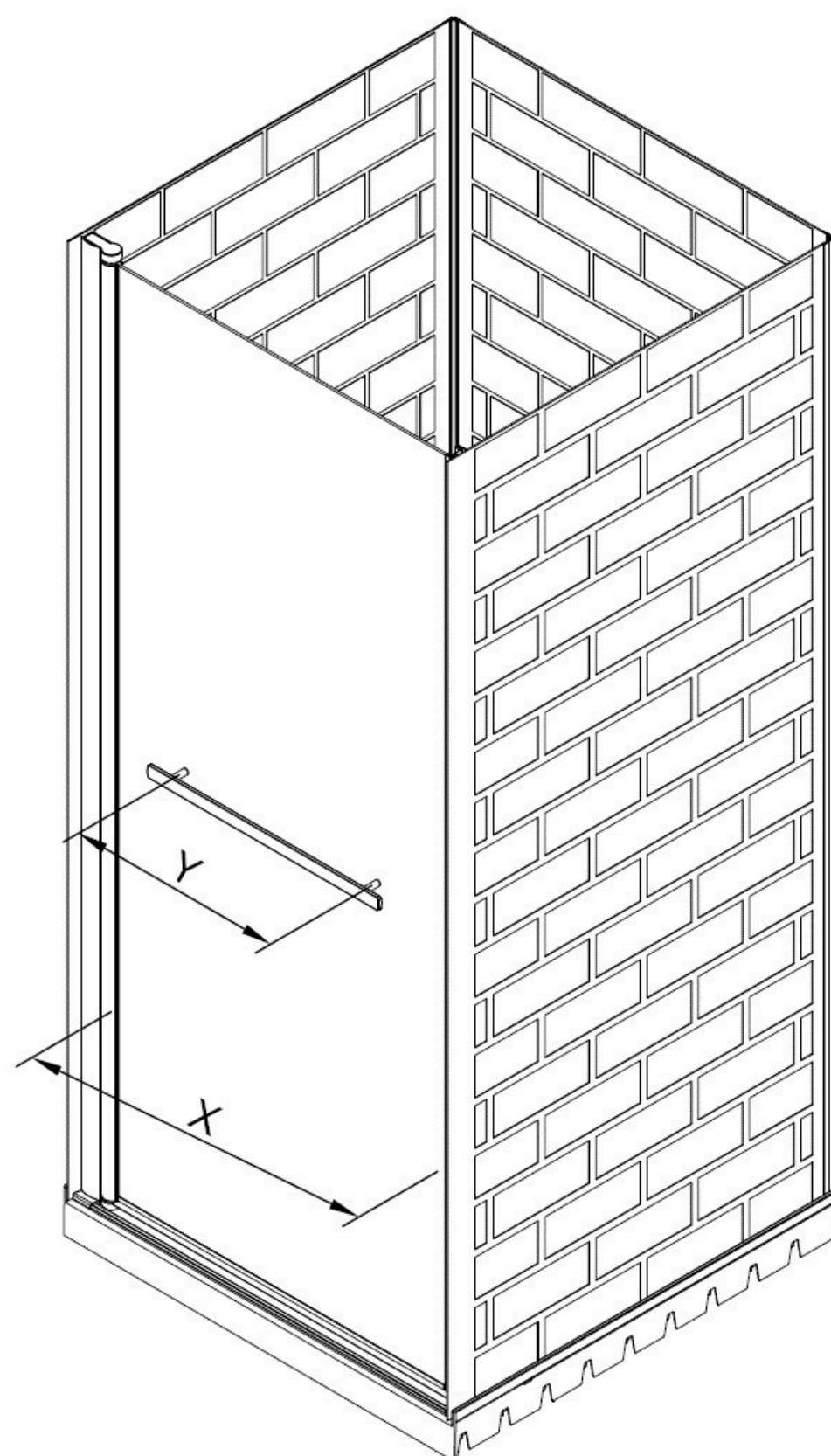
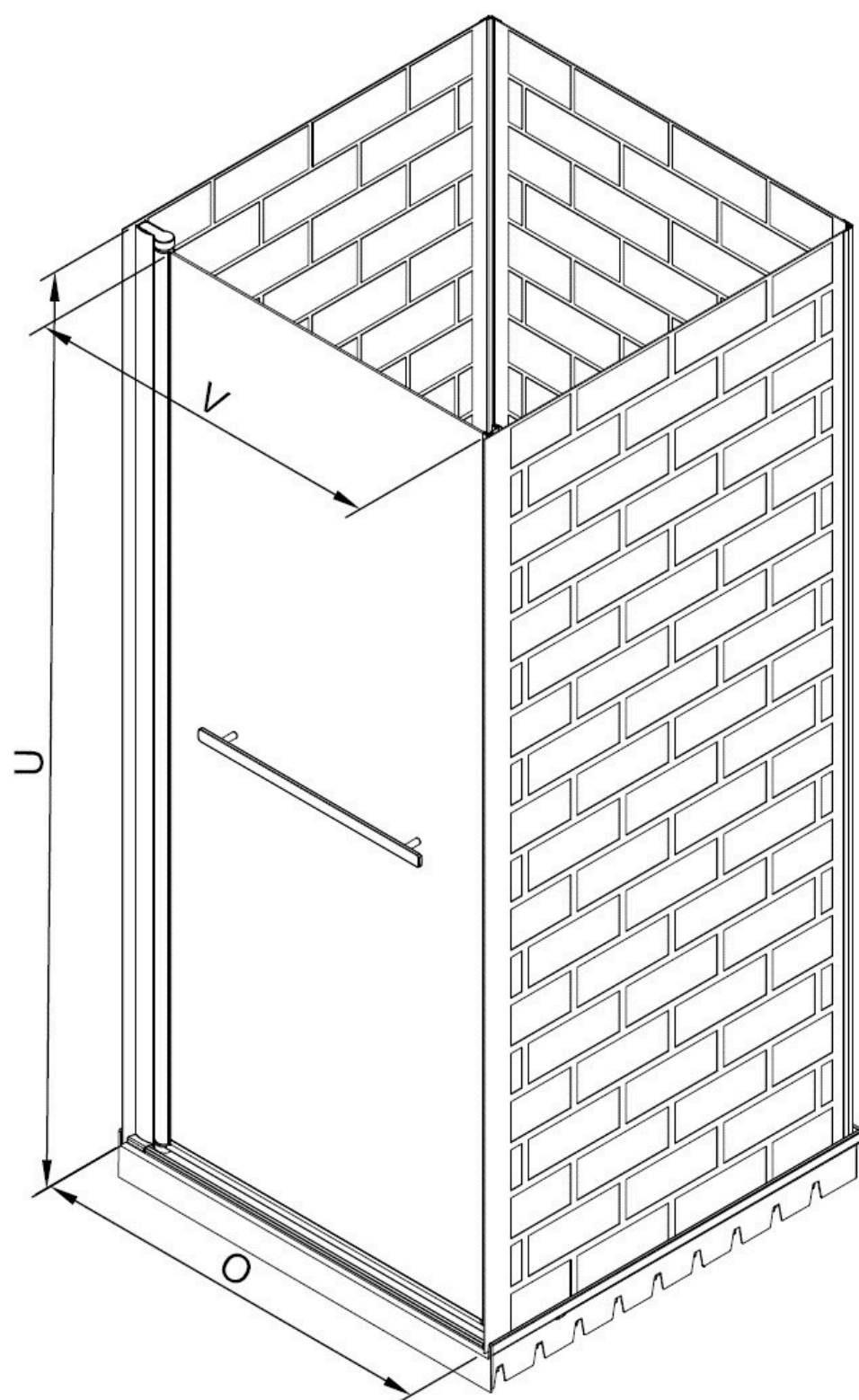
For more information, contact Dreamwerks at +1-888-266-7976 or support@dreamwerks.com. Visit dreamwerks.com for full product details.

All product specifications and measurements are approximate. Actual products may vary slightly. Specifications are subject to change without notice.

Please refer to the product manual or website for the latest updates.

York Shower Kit Measurements

#	Measurements - unit	36"x 36" Alcove
O	Shower width (wall track to wall track inside the shower)	35"
U	Shower height	76"
V	Fixed panel width	30-7/16"
X	Door opening	30-7/18"
Y	Distance between handle holes	17-3/4"



Copyright © 2005 - 2024 Dreamwerks. All rights reserved.

For more information, contact Dreamwerks at +1-888-266-7976 or support@dreamwerks.com. Visit dreamwerks.com for full product details.

All product specifications and measurements are approximate. Actual products may vary slightly. Specifications are subject to change without notice.

Please refer to the product manual or website for the latest updates.