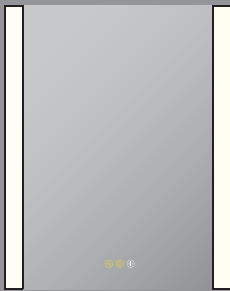


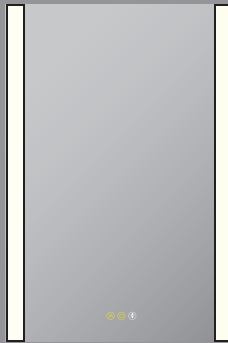
MEDICINE CABINET

Specification & Installation Guide

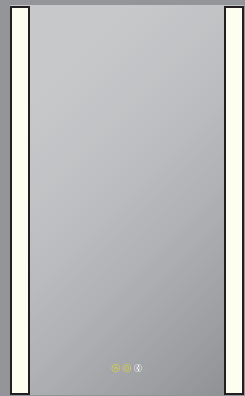
APPLY TO BELOW STYLE OF LED MEDICINE CABINET



32"
LUMA2432 24"x 32"



36"
LUMA2436 24"x 36"



40"
LUMA2440 24"x 40"

QUICK INSTALLATION OVERVIEW

1. *Check package contents*
2. *Determine wall mount or recessed installation*
3. *Cut wall opening (if recessed)*
4. *Mount brackets*
5. *Wire the cabinet*
6. *Mount the cabinet*
7. *Install hinge cover and door bumper*

IMPORTANT SAFETY INSTRUCTIONS

When using an electrical furnishing, basic precautions should always be followed, including the following:

WARNING: To reduce the risk of burns, fire, electric shock or injury to persons. Use this furnishing only for its intended use as described in these instructions. Do not use attachments not recommended by the manufacturer. Never drop or insert any object into any opening. Indoor use only.

WARNING: Risk of electric shock. Connect this furnishing to a properly grounded circuit only. See grounding instructions.

CAUTION: Maximum shelf load 34lbs/15.4kg

ELECTRIC CONNECTIONS

ALL WIRING SHOULD BE DONE BY A QUALIFIED LICENCED ELECTRICIAN.

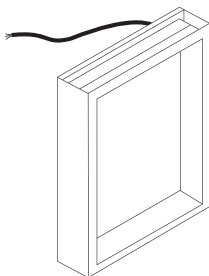
WARNING: Shut off power before wiring the cabinet.
Requires 120 VAC 20 Amp GFI protected Circuit.

GROUNDING INSTRUCTIONS:

CAUTION: This product must be connected to a grounded metal permanent wiring system or an equipment-grounding conductor must be run with the circuit conductors and connected to the equipment grounding terminal or lead on the product.

WARNING: An Electrical option cabinet must be wired to a 20 Amp GFI (GroundFault Interrupter) protected circuit when used in bathrooms and all other locations required by the National Electric Code.

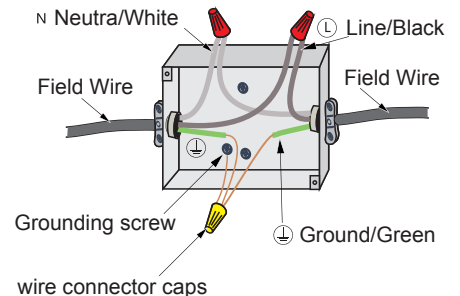
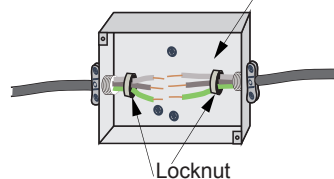
The electric wire comes through the access hole on the back of the medicine cabinet, exact location of access hole varies depending on the product models. Please refer to the actual product for the exact location.




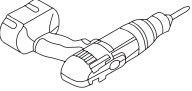
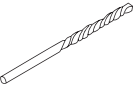
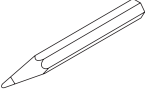

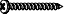
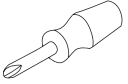





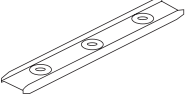

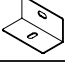


Make connection with Junction box

Neutral to white.
Line to black.
Ground to green.

using wire connector caps

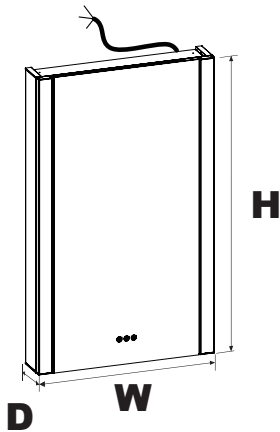


HARDWARE AND TOOLS

Hardware				Tools (not included)		
NO.		Draw	QTY(pcs)			
1	Short Screw M4x6		3			
2	Door Bumper		3~5	Electric Drill	1/4" Drill Bit	Pencil or Marker
3	Long Screw Ø5x55		6~7			
4	Anchor Ø8x50		6~7	Screw Driver	Hammer	Tape Measure
5	Hinge Cover		2~4			
6	Bottom Bracket		2	Toothless flat nose plier	Lever	Safety Goggles
7	Top Bracket		1			
8	Wiring Cap		4			

Carefully review all parts and read the installation instructions before you start. If parts are missing, please contact us.

DIMENSIONS



W-Cabinet's Width
H-Cabinet's Height
D-Cabinet's Depth

NOTE: Determine overall medicine cabinet dimensions. If for recess mounting medicine cabinet, determine rough-in (Wall Cut-out) dimensions.

Model No		Item	W	H	D
1	A	24"x 32"	24"	32"	5"D
	B	24"x 36"	24"	36"	5"D
	C	24"x 40"	24"	40"	5"D

PRIOR TO MOUNTING

Please read these instructions carefully before installation. Familiarize yourself with the necessary tools, materials, and procedures. Retain this manual for future reference. All information in these instructions is based upon latest product information available at the time of publication. We reserve the right to make changes in product characteristics, packaging, or availability at any time without notice.

Parameter	Specification
Input Voltage	100-120VAC,50/60Hz
Output Voltage	24VDC
Color Temperature	2700K/4000K/6500K
CRI	≥80 Ra
IP Rating	IP44
Anti-fog	Yes
Switch Type	Touch Sensor
Installation Method	Hardwired

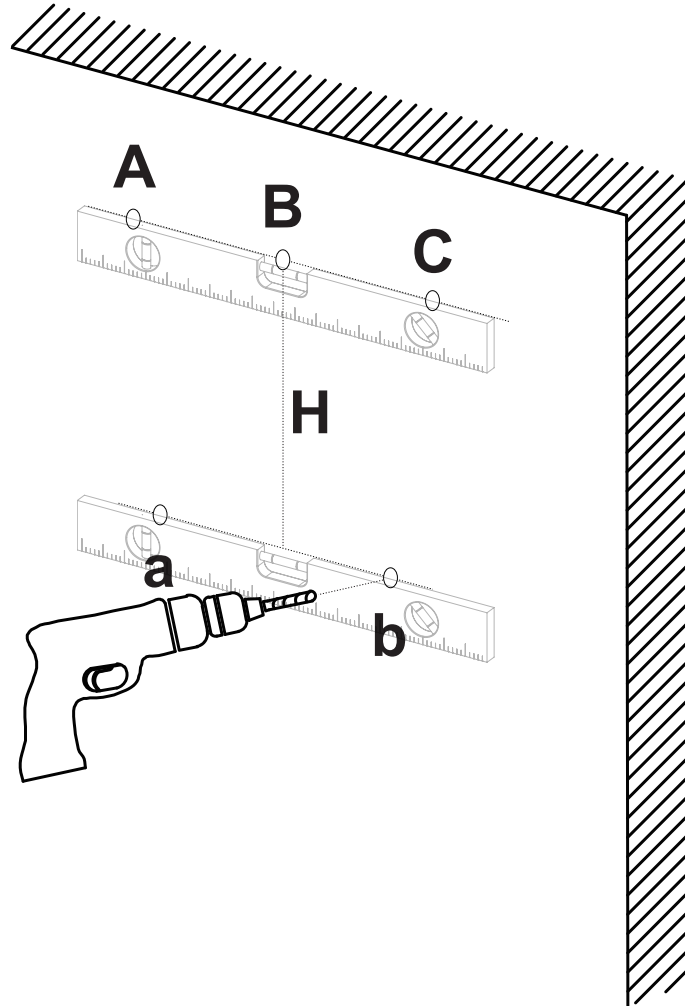
SPECIFICATIONS

Dimension (Inch)	Dimension (Millimeter)	Types of Medicine Cabinet
24 x 32 x 5	610 x 812 x 127	Single-door
24 x 36 x 5	610 x 914 x 127	Single-door
24 x 40 x 5	610 x 1016 x 127	Single-door

SURFACE-MOUNT INSTALLATION

1

Refer to hole spacing diagram as below or mark hole position by top bracket(7). then drill holes in the wall by an electric drill.



Required Tools






Electric drill

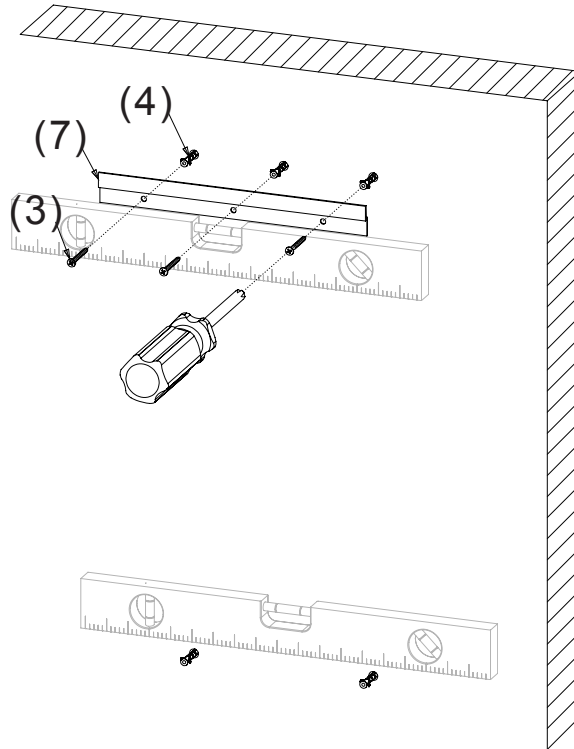
Product size	24" x 32"	24" x 36"	24" x 40"
AB	8"	8"	8"
BC	8"	8"	8"
H	30-3/4"	34-3/4"	38-3/4"
ab	16"	16"	16"

SURFACE-MOUNT INSTALLATION

2

Place anchor(4) into the drilled holes and fix the top bracket(7) by long screw (3).


(3)		Long Screw Ø5x55
(4)		Anchor Ø8x50
(7)		Top Bracket

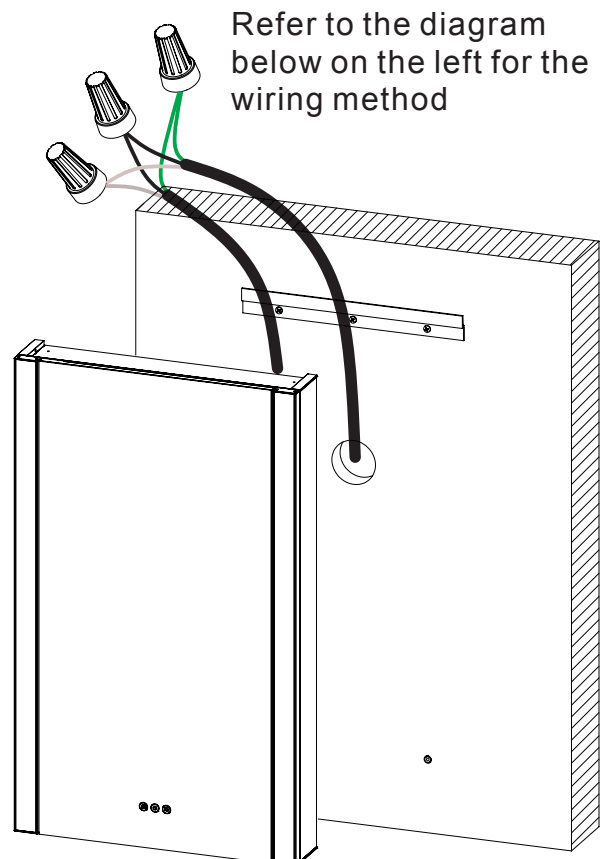
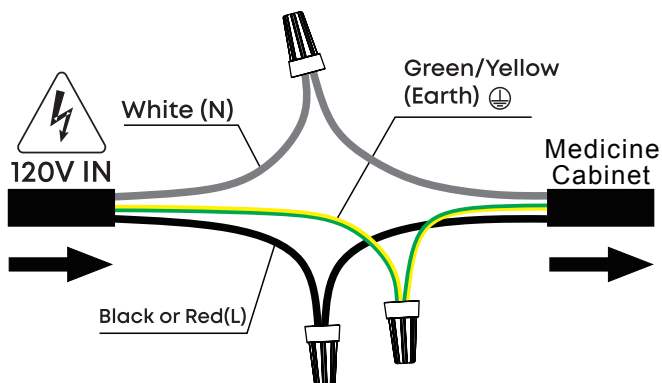


3

Make sure power is turned off at the breaker before wiring. All electrical connections must comply with local codes and the National Electrical Code (NEC, NFPA 70).

Connect the cabinet wiring to your household power supply using the included wire connectors. Make sure all connections are properly secured and tucked inside the wall before mounting the medicine cabinet.



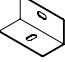
(8)		Wiring Cap
-----	---	------------

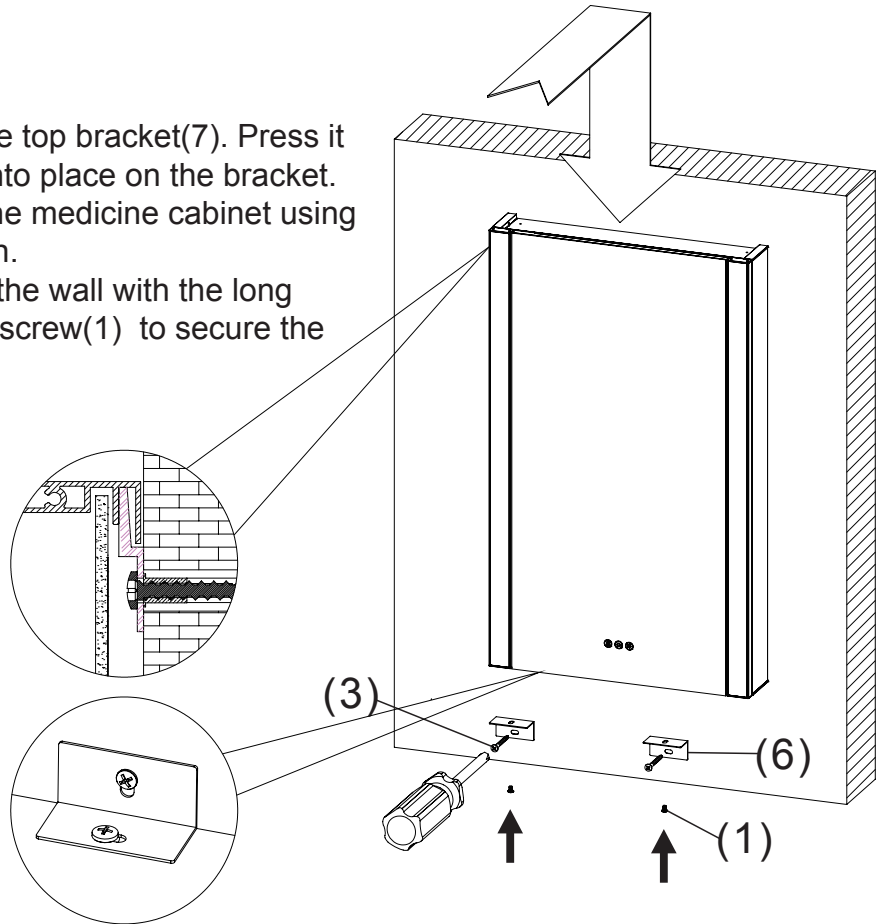


SURFACE-MOUNT INSTALLATION

4


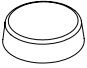
- ① Lift the medicine cabinet above the top bracket(7). Press it firmly against the wall, then lower it into place on the bracket.
- ② Secure the bottom bracket(6) to the medicine cabinet using the short screw(1), Do not overtighten.
- ③ Install the bottom bracket(6) onto the wall with the long screw(3) , then fully tighten the short screw(1) to secure the medicine cabinet in place.

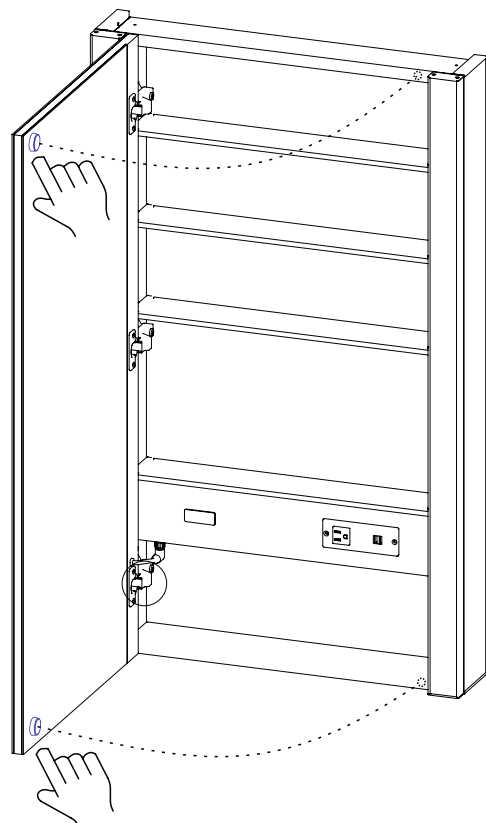
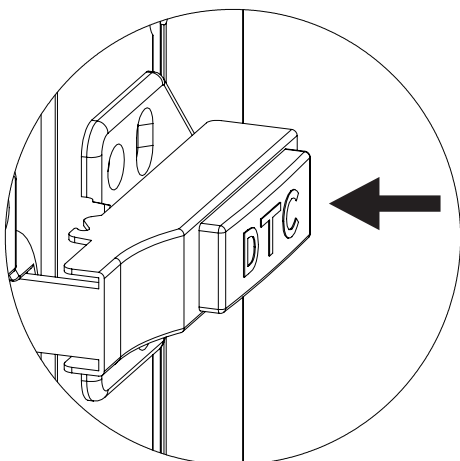
(1)		Short Screw M4x6
(3)		Long Screw Ø5x55
(6)		Bottom Bracket



5

Snap hinge cover(5) onto each hinge, ensuring they are fully secured. Stick the door bumper(2) onto the inside of the medicine cabinet door(s). The medicine cabinet is now ready for use.

(5)		Hinge Cover
(2)		Door Bumper

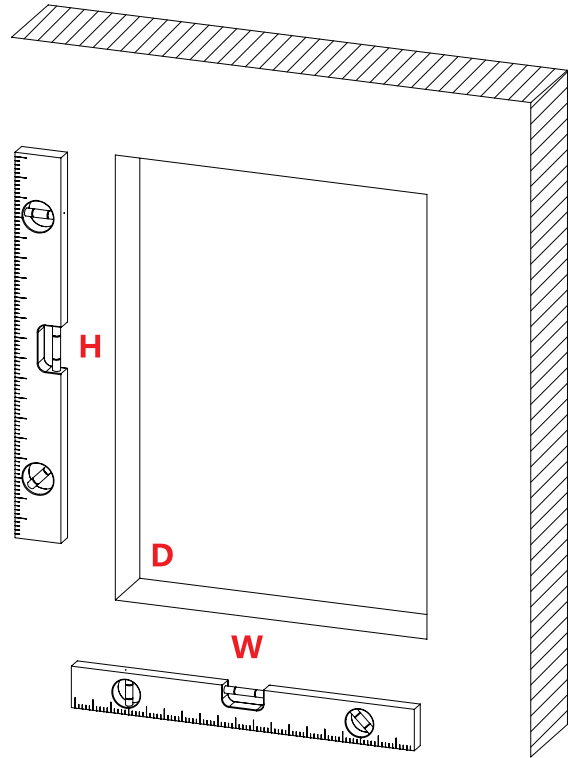


RECESSED MOUNT

1

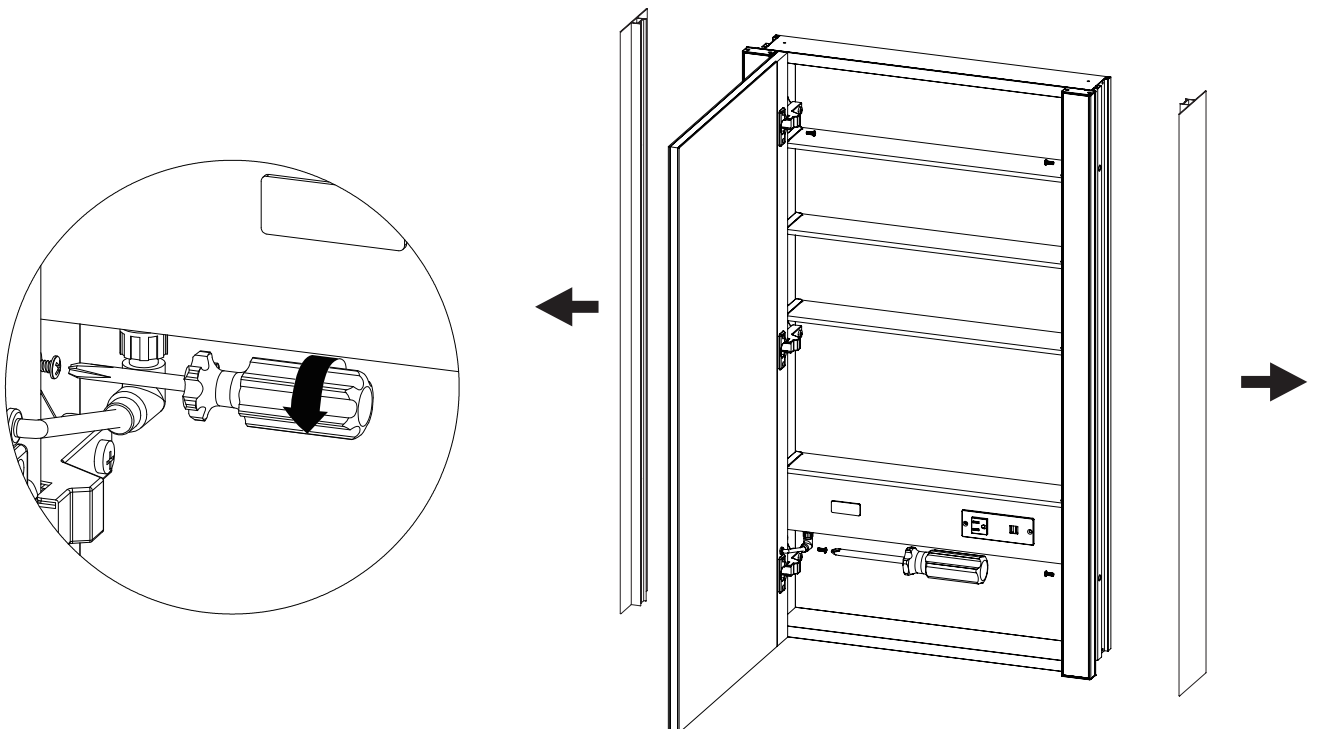
For recessed installation, cut an opening according to the dimensions shown in the diagram below.

Dimension Size	W	H	D
24" x 32"	23-3/8"	31-3/8"	3-7/8"
24" x 36"	23-3/8"	35-3/8"	3-7/8"
24" x 40"	23-3/8"	39-3/8"	3-7/8"



2

Loosen screws on both sides and remove the side panel.

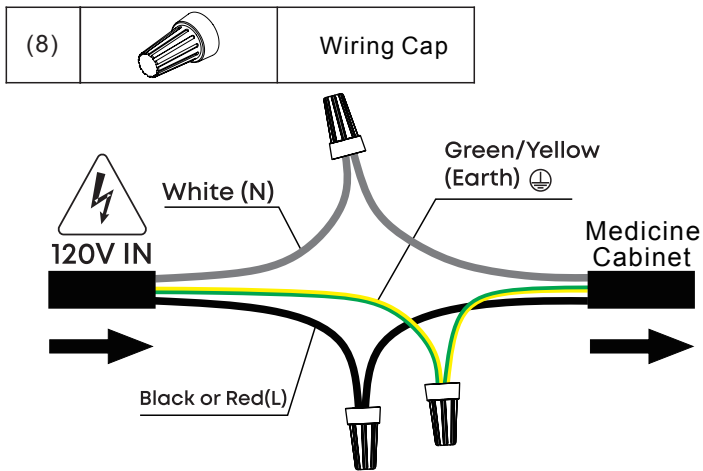


RECESSED MOUNT

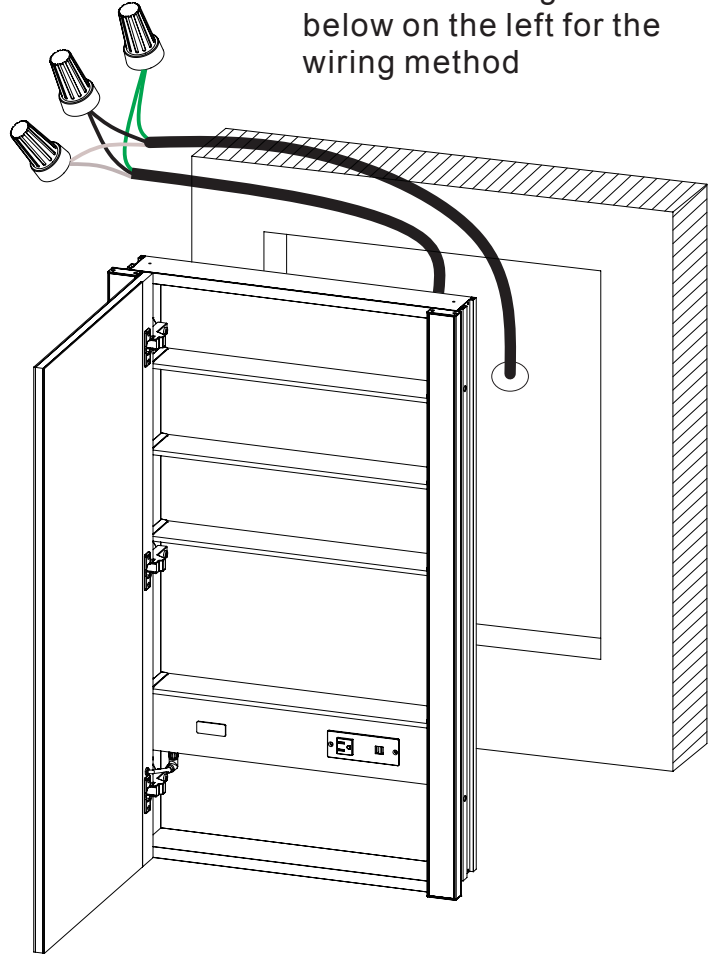
3

Make sure power is turned off at the breaker before wiring. All electrical connections must comply with local codes and the National Electrical Code (NEC, NFPA 70).

Connect the cabinet wiring to your household power supply using the included wire connectors. Make sure all connections are properly secured and tucked inside the wall before mounting the medicine cabinet.

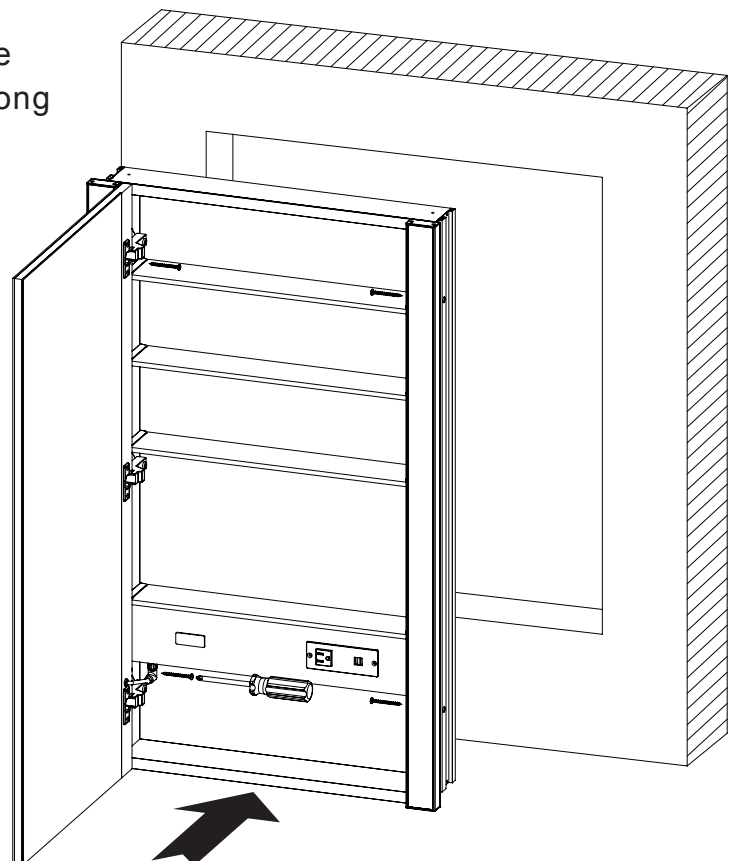
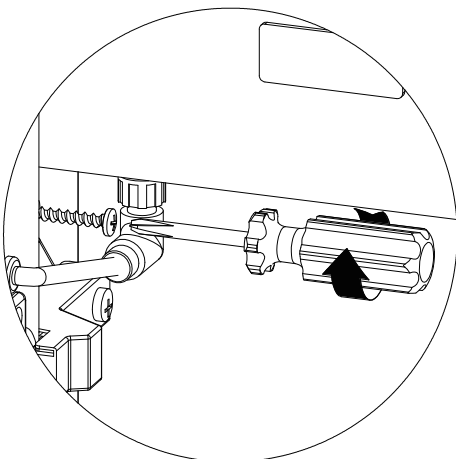
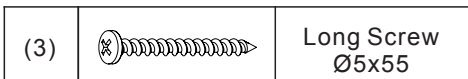


Refer to the diagram below on the left for the wiring method



4


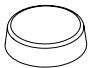
Carefully place the medicine cabinet into the prepared wall opening. Secure it using the long screws(3) through the side brackets.

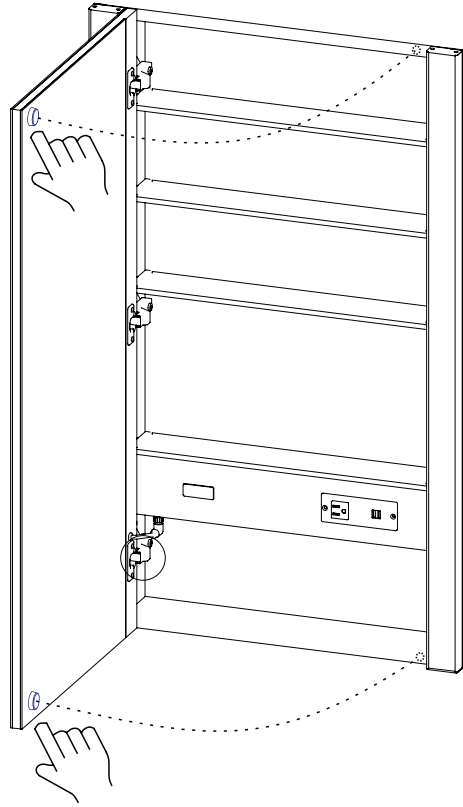
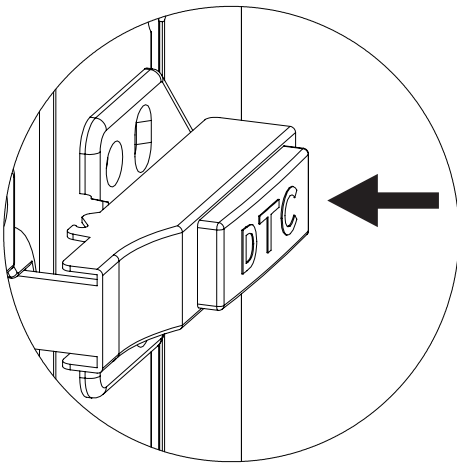


RECESSED MOUNT

5

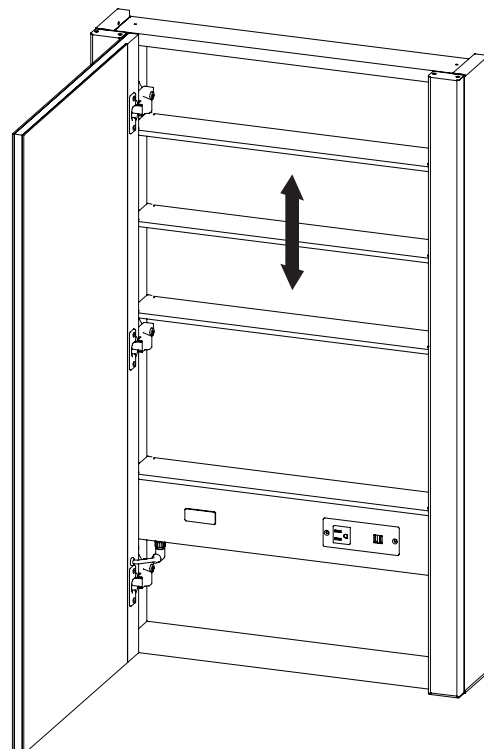
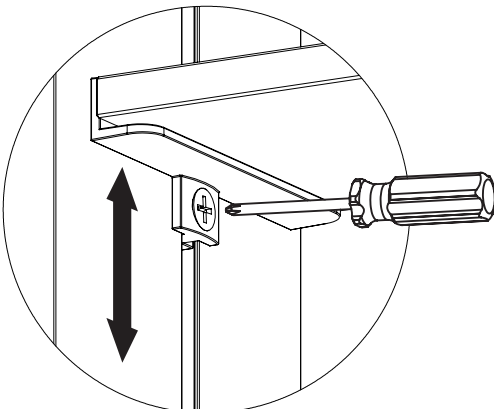
Snap hinge cover(5) onto each hinge, ensuring they are fully secured. Stick the door bumper(2) onto the inside of the cabinet door(s). The medicine cabinet is now ready for use.

(5)		Hinge Cover
(2)		Door Bumper



HOW TO ADJUST THE HEIGHT OF TEMPERED GLASS SHELF

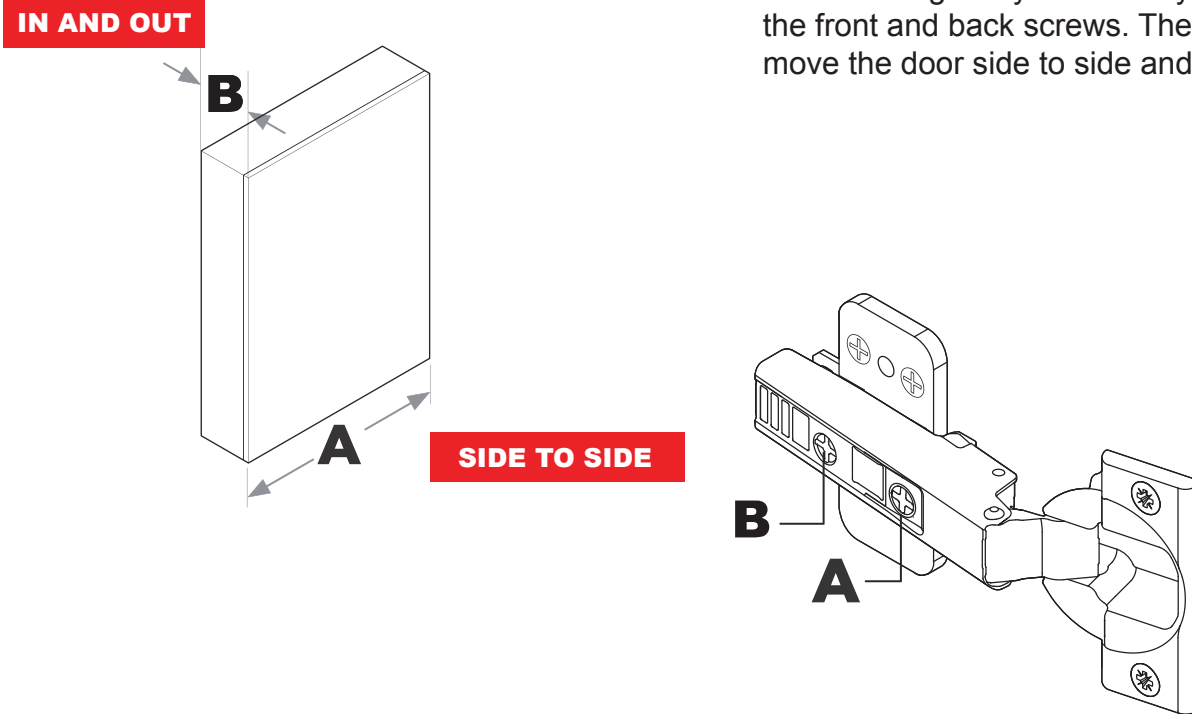
Loosen the screw on each clamp, slide them along the groove to adjust the shelf to your desired height. Ensure that both clamps are aligned at the same level before retightening.



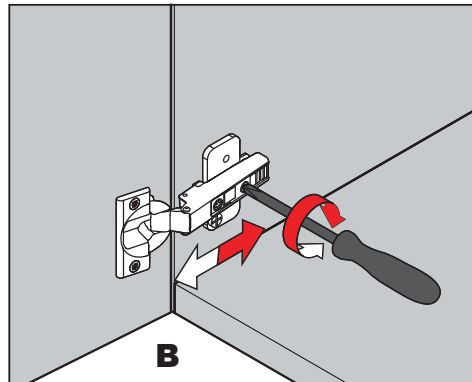
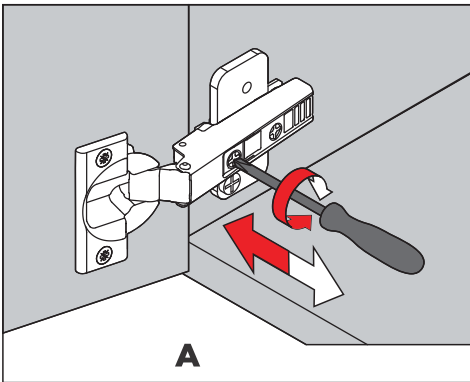
OPTIONAL DOOR ADJUSTMENT

Doors may need to be adjusted after the initial shipping of the cabinet. The cabinet doors have a three-way adjustment feature.

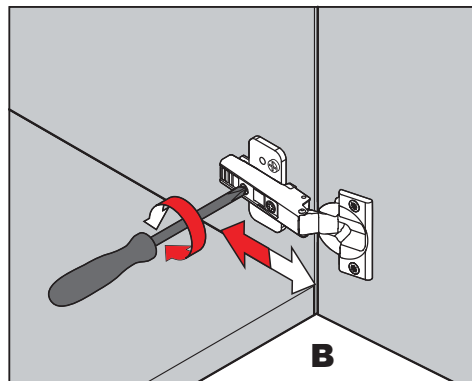
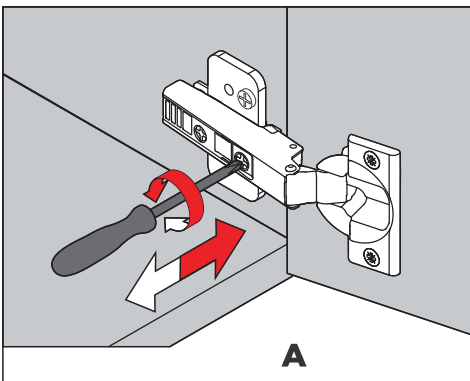
Side-to-side, level, and depth can be adjusted. With the hinge fully extended you can access the front and back screws. These screws will move the door side to side and in and out.



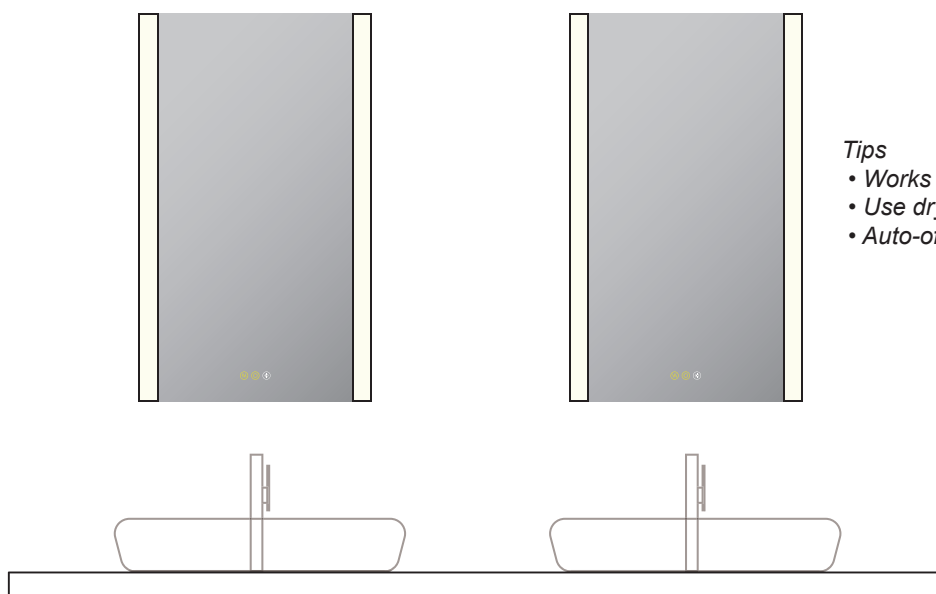
LEFT SIDE



RIGHT SIDE



INTRODUCTION OF TOUCH SENSOR SWITCH



Tips

- Works only when power is on
- Use dry fingers to touch
- Auto-off after 1 hour (defogger)

Lighting Button



- Standby: White
- Tap once → Light ON (button turns yellow)
- Press and hold → Adjust brightness

Defogger Button



- Standby: White
- Tap once → Defogger ON (yellow)
- Tap again → Defogger OFF

Color Temperature Button



- Standby: White
- Tap to cycle through:
 - 3000K – Warm White
 - 4000K – Natural White
 - 6500K – Cool White

Use and Maintenance:

The interior is constructed of mirrored glass and aluminum. Use only a damp cloth to clean. Ammonia or vinegarbased cleansers can damage mirrors.

When cleaning, spray the cloth, not the mirror, or surrounding surfaces, Do not use abrasive cleansers on any parts of the light fixture. Clean mirror weekly with soft damp cloth. Avoid direct water spray. Ensure ventilation if installed in humid environment.

Limited Warranty Two Years Term

Warranty:

We warrant to the original purchaser that its products are free from significant defects in material and workmanship for a period of two (2) years from the date of delivery. We will, at its discretion, repair, replace, or adjust any products found to have significant defects, provided that the defects are reported to us in writing within the warranty period. Installation costs are not covered by this warranty. This warranty is void if the product is damaged during transportation, or if damage or failure is caused by abuse, misuse, abnormal usage, faulty installation, damage in an accident, improper maintenance, or any repairs other than those authorized by us.

At the end of the two-year warranty period, we shall have no further obligation under any warranty, expressed or implied, including the implied warranty of merchantability. We shall not be liable for any consequential damages arising out of or in connection with the use or performance of its products.

Some states do not allow limitations on how long an implied warranty lasts or do not allow the exclusion or limitation of incidental or consequential damages, so the above limitation or exclusion may not apply to you. Any liability against us under any implied warranty, including the warranty of merchantability, is expressly limited to the terms of this warranty.

To make a claim under this warranty, permission must be obtained from us, and the product must be returned prepaid by the purchaser. Claims under this warranty should be sent directly to the dealer where the product was purchased. Regenerate response.

ALL RIGHTS RESERVED

