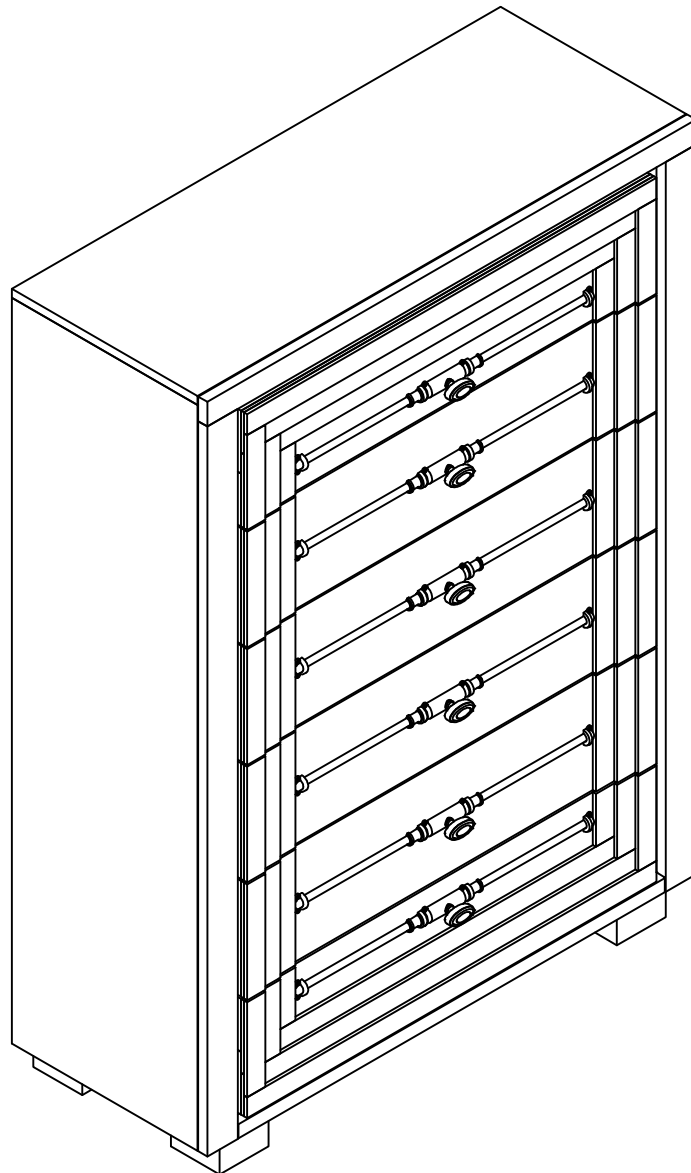


MICHAEL AMINI® | *kathy ireland*®

H O M E D E S I G N S

6 Drawer Chest
Assembly Instructions
KI-CRLN070-407
Carrollton

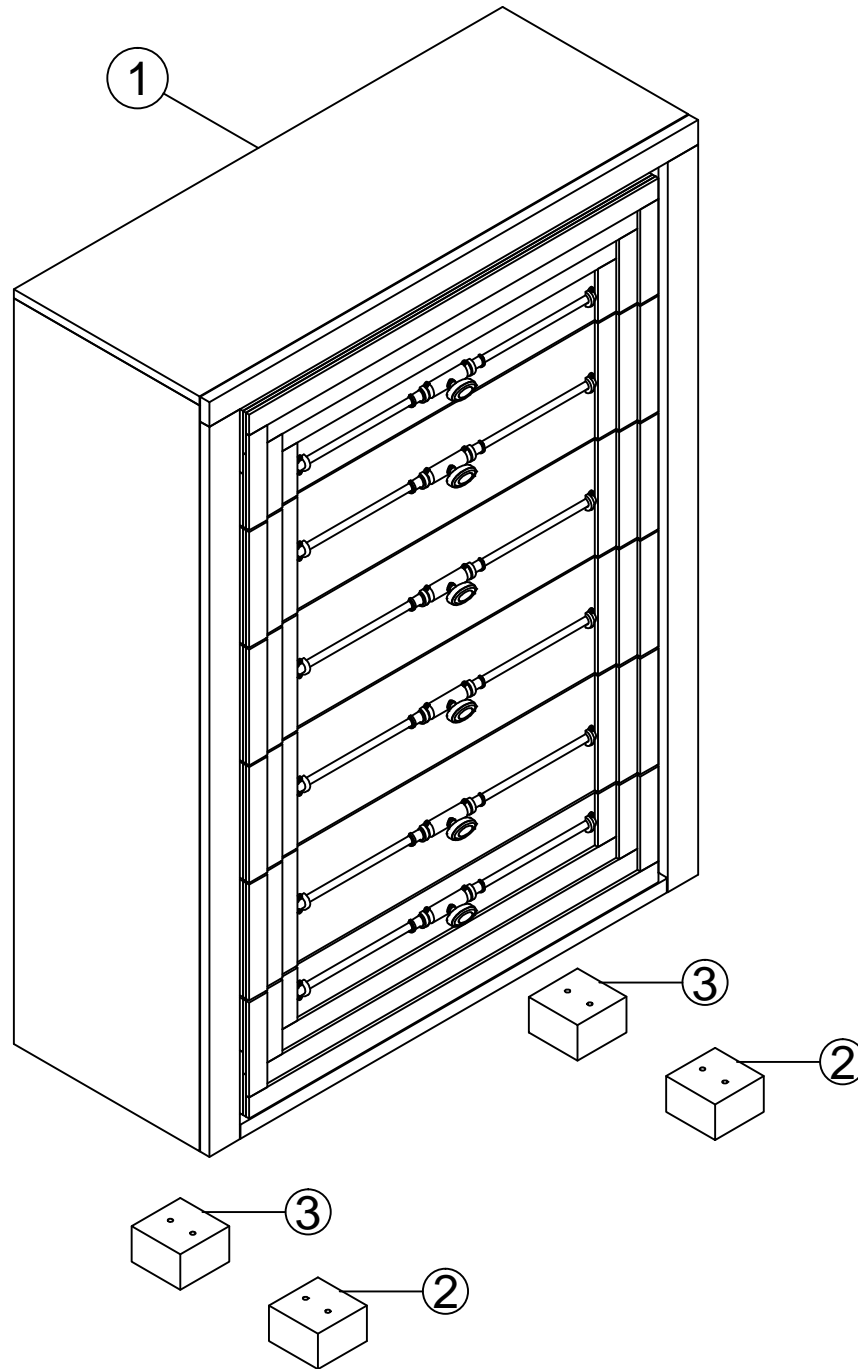


Congratulations on your purchase.

Rest assured only the finest materials, skilled artisans and modern engineering were used to carefully construct this exquisite piece.

 **AICO**®
AMINI INNOVATION, CORP.
www.amini.com

Index

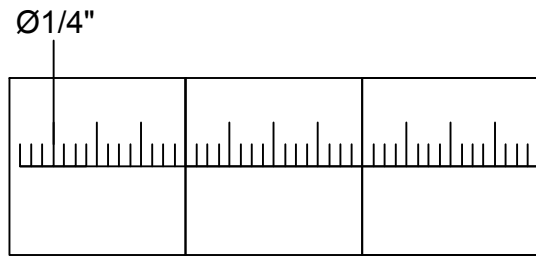


Caution: Before assembling, make sure all of the furniture pieces are placed in their desired location. Inappropriate moving furniture pieces after they are assembled might cause structural damage and void warranties.

1	Dresser	1
2	Front Foot (Have leveler)	2
3	Back Foot	2

NOTE: Inspect all packing material for small parts, which may have come loose during shipment. Identify and compare all parts against the parts list.

Step 1



Small Parts Ruler

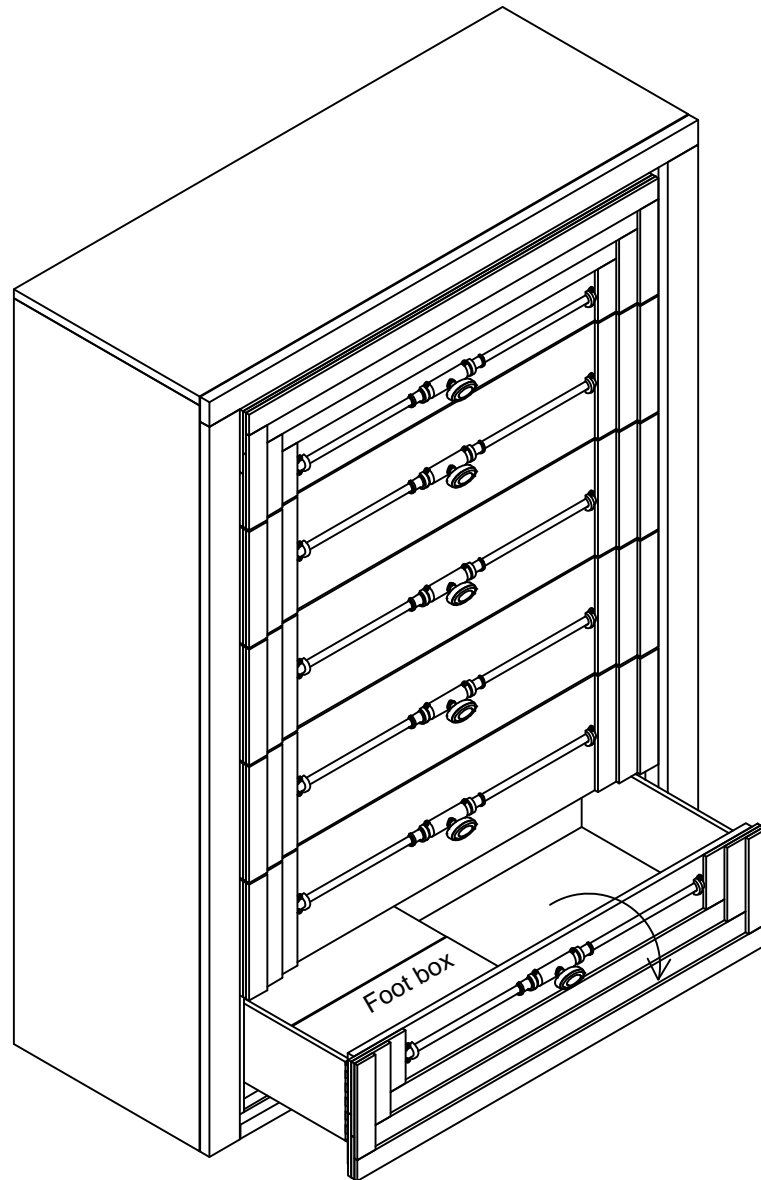


Figure 1

Instructions:
Figure 1:

Take out the foot box in the bottom drawer.

Step 2

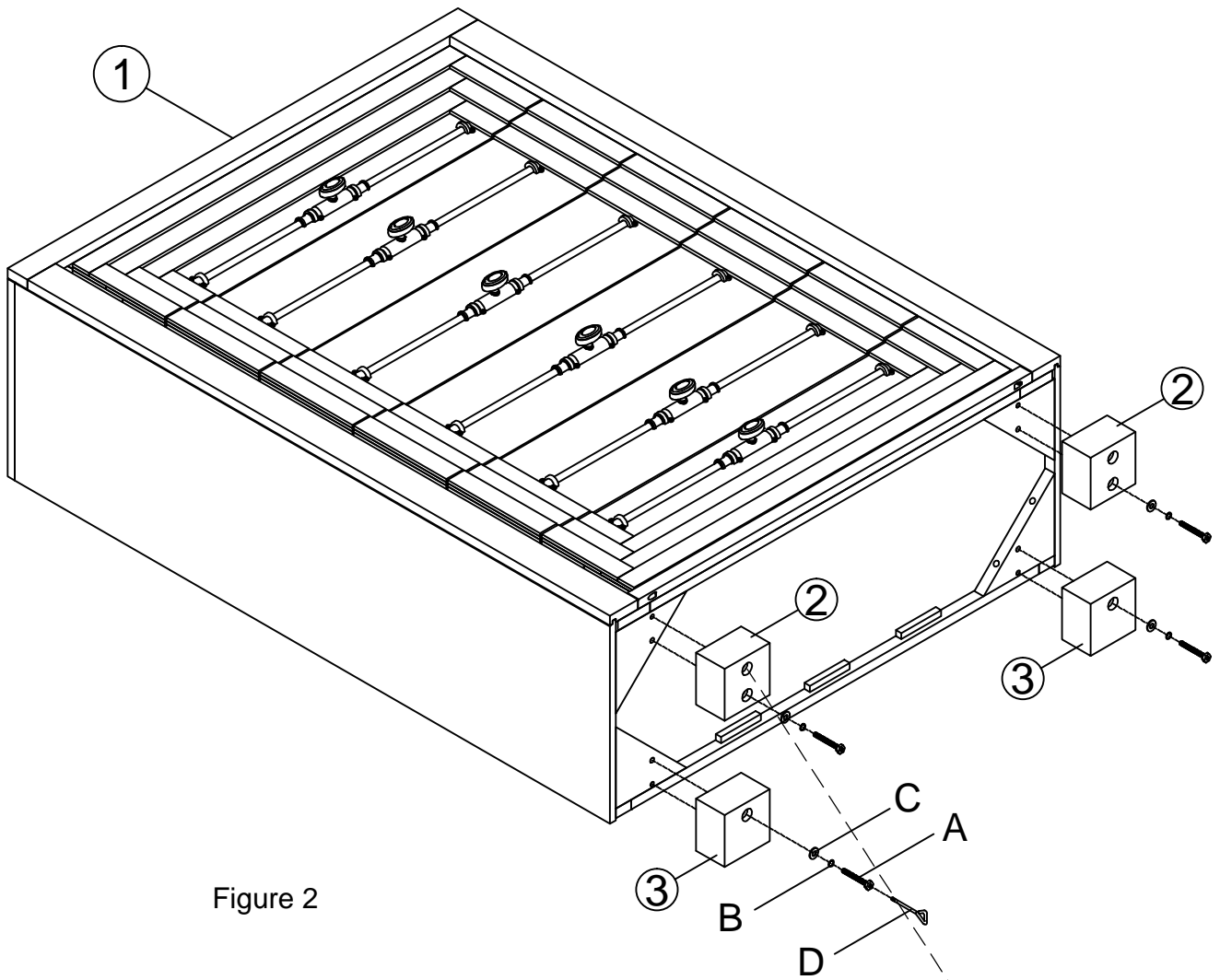
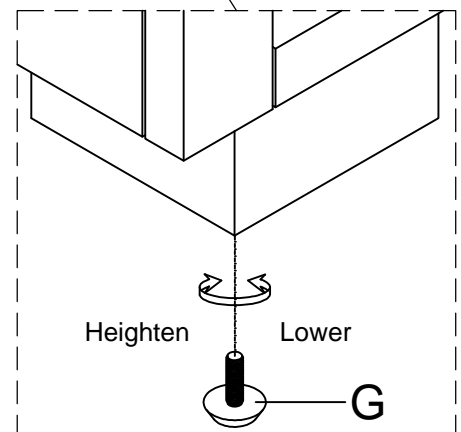





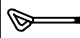
Figure 2

Adjust leveler to the floor as shown.



Instructions:
Figure 2:

Attach the Front & Back Foot (2&3) to the Dresser (1) using Bolt (A), Spring Washer (B) and Flat Washer (C). Tighten all bolts with Screwdriver (D) as shown.

A	Bolt		Ø1/4"*1-3/4"	4
B	Spring Washer		Ø1/4"	4
C	Flat Washer		Ø1/4"*19*1.5mm	4
D	Screwdriver		Ø5*90mm	1

Ø-Diameter