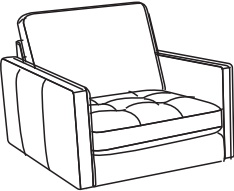
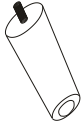


### Components



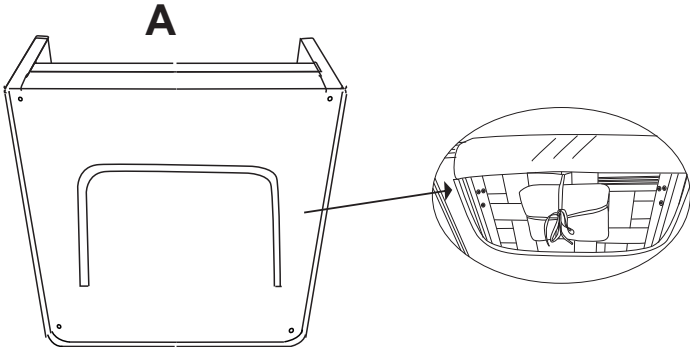
**A**  
1X



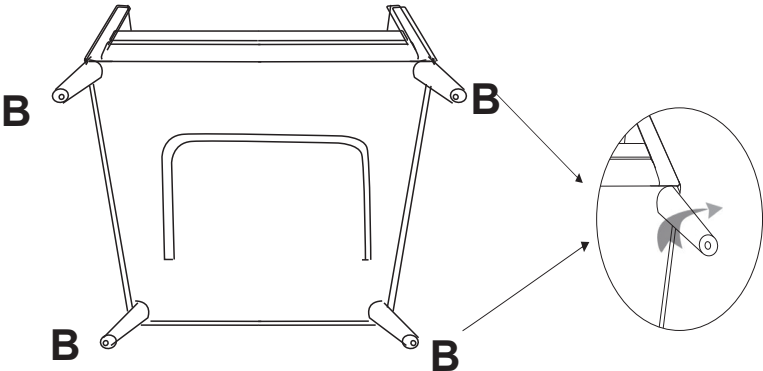
**B**  
4X

### Assembly

1



2



3

