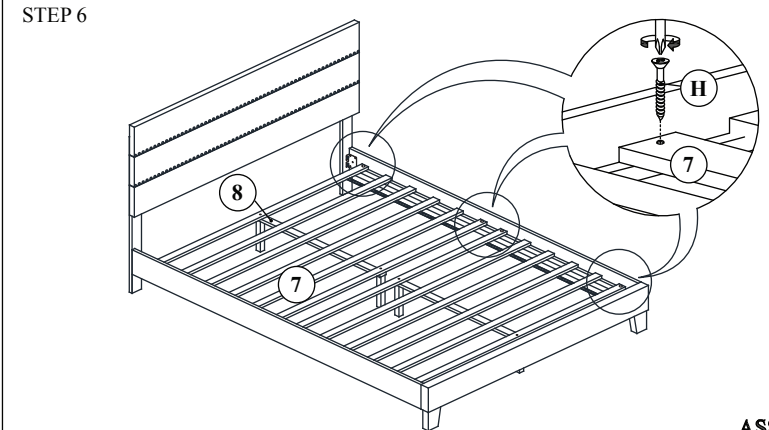
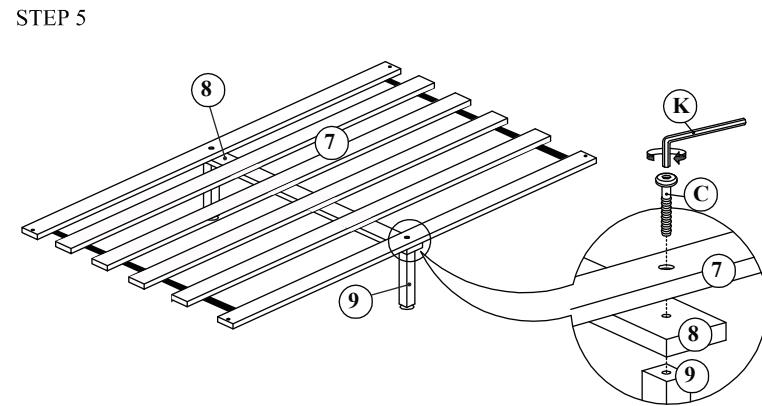
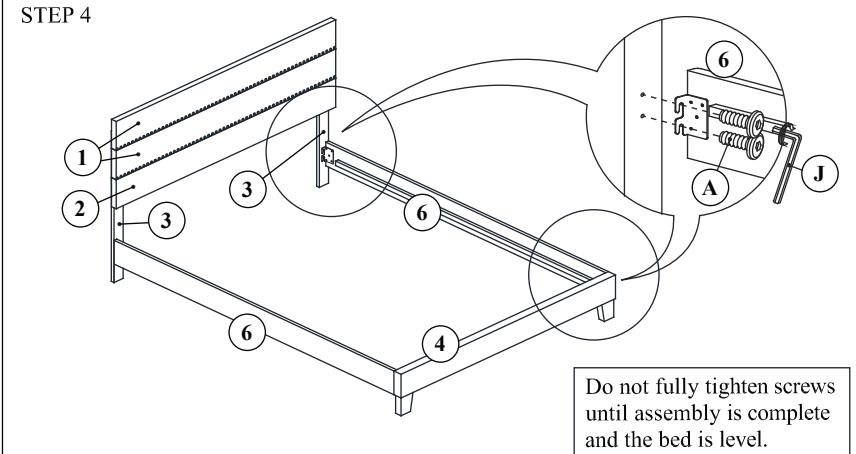
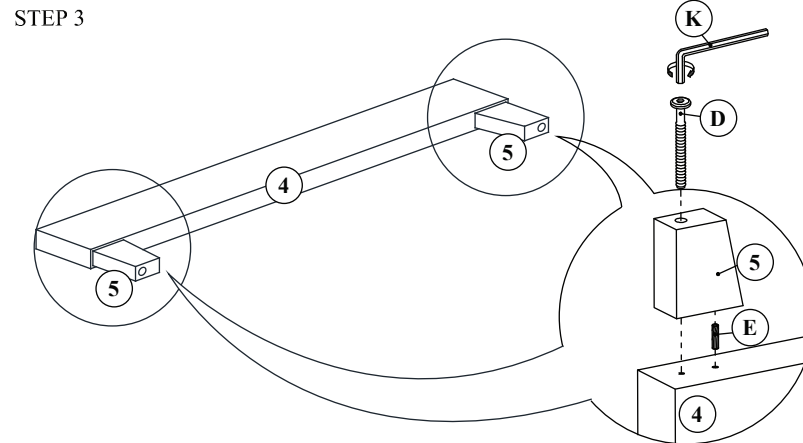
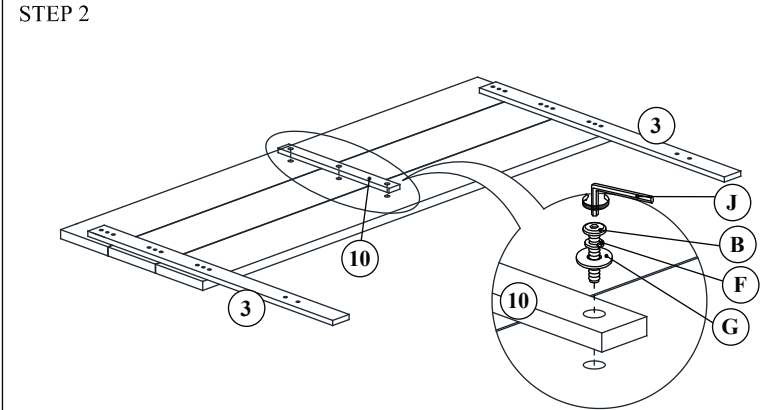
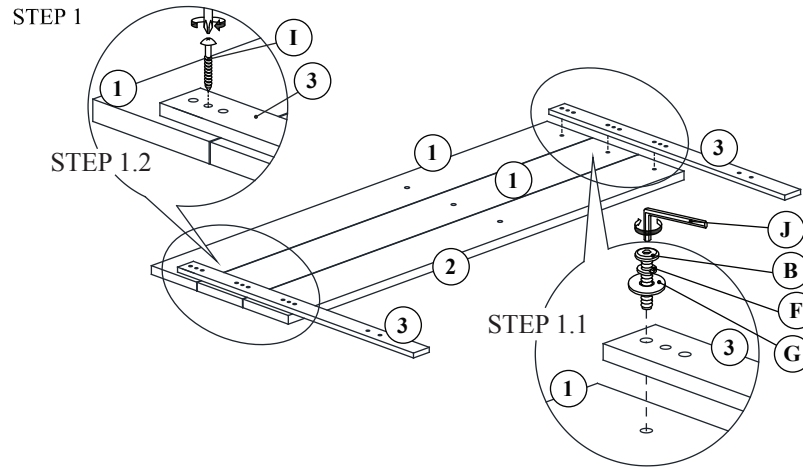


# ASSEMBLY INSTRUCTION

NO	PARTLIST	QTY
1	HEADBOARD WITH LABEL "1"	2PCS
2	HEADBOARD WITH LABEL "2"	1PC
3	HEADBOARD LEG	2PCS
4	FOOTBOARD	1PC
5	FOOTBOARD LEG	2PCS
6	SIDE RAIL	2PCS
7	ROLL SLAT	2SETS
8	CENTER SUPPORT RAIL	2PCS
9	SUPPORT LEGS WITH ADJUSTABLE FEET	4PCS
10	HEADBOARD SUPPORT (SHORT)	1PC
ITEM	HARDWARE	QTY
A	JCBB SCREW M8 x 20MM	8PCS
B	JCBB SCREW M8 x 35MM	9PCS
C	JCBC SCREW M6 x 50MM	4PCS
D	JCBC SCREW M6 x 100MM	2PCS
E	WOOD DOWEL M8 x 30MM	2PCS
F	SPRING WASHER M8 x 14MM	9PCS
G	FLAT WASHER M8 x 22MM	9PCS
H	SCREW M4 x 32MM	8PCS
I	PANHEAD SCREW M4 x 25MM	6PCS
J	L-KEY M5 x 65MM	1PC
K	L-KEY M4 x 100MM	1PC



ASSEMBLY COMPLETED