

# Assembly Instructions

**Caution : You must read this before you proceed**

## Care & Maintenance



- Not for commercial use. For residential use only.



- Furniture may scratch floors. We recommend using furniture pads to protect your floors.



- Do not put hot items directly on furniture surface.



- Do not clean furniture with harsh cleansers or polish.



- Do not place furniture under direct sunlight.



- Do not place furniture near heating or cooling vents.



- Do not write on furniture without a padded barrier to protect the surface.



- Do not place furniture outside . For indoor use only.



- Stains may be removed with mild soap solution and damp cloth.



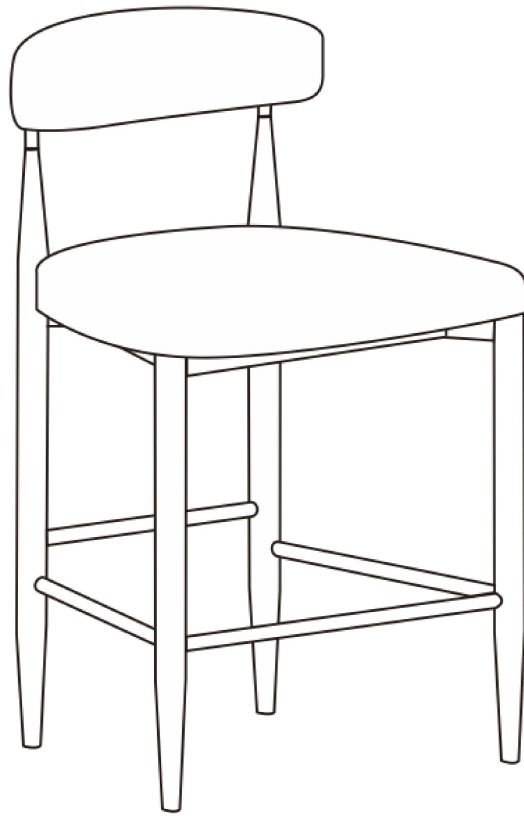
- Children should not climb or jump on the furniture.



- Dust and pick-up spills using a clean, non-colored, lint-free cloth.


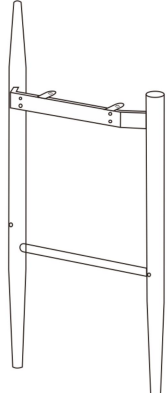
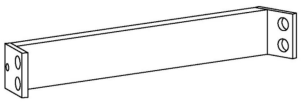
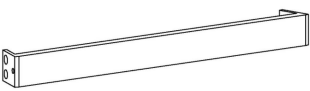


Please look in Chair for hardware packs and legs.

# Counter Stool




## Parts List

Label	Picture	Description	QTY
A	A line drawing of a square seat with rounded corners and a slight thickness.	Seat	1
B	A line drawing of a curved backrest with a slight arch and two small feet at the bottom.	Backrest	1

C		Left Metal Leg Frame	1
D		Right Metal Leg Frame	1
E		Back Upper Rail (270*40*38mm)	1
F		Front Upper Rail(395*40*38mm)	1
G		Back Bottom Rail(328*Φ19mm)	1
H		Footrest(498*Φ19mm)	1

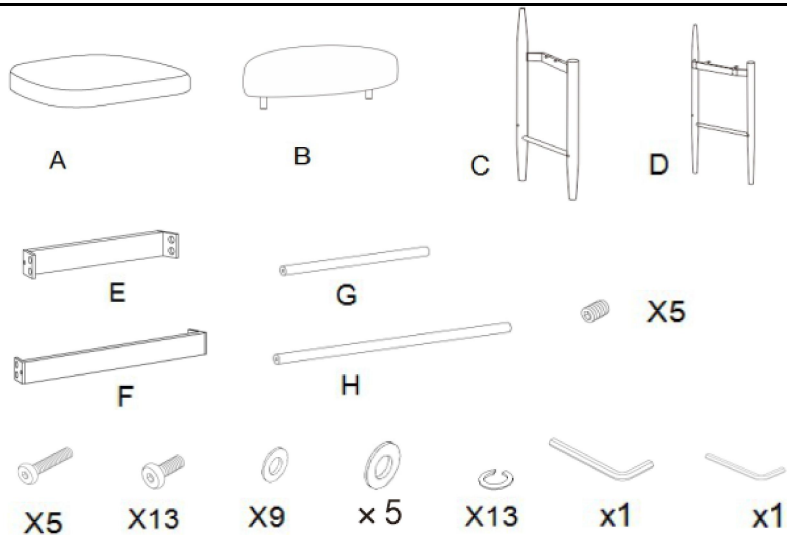
## Hardware

Label	Picture	Description	QTY
①		Bolt(M4*4mm)	5

②		Bolt(M6*54mm)	5
③		Bolt(M6*16mm)	13
④		Spring Washer(M6)	13
⑤		Washer (M6*Φ13mm)	9
⑥		Washer (M6*Φ16mm)	5
⑦		Allen Wrench(M4)	1
⑧		Allen Wrench(M2)	1

## Assembly Preparation

**Before  
Beginning  
Assembly:**





- Read instructions, cover to cover-



- Have 2 adults on hand for assembly-



- Do not assemble on flooring or carpet-



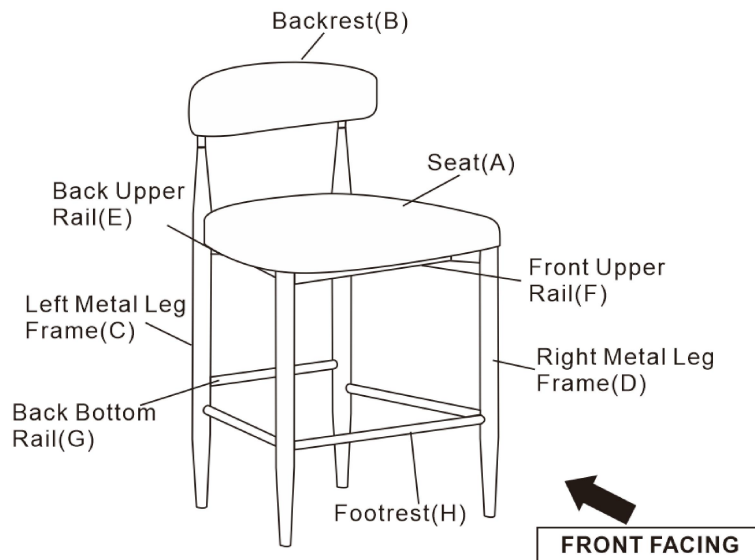
- Assemble on a clean non-marring surface (packing foam)-



- Save all packaging until finished-

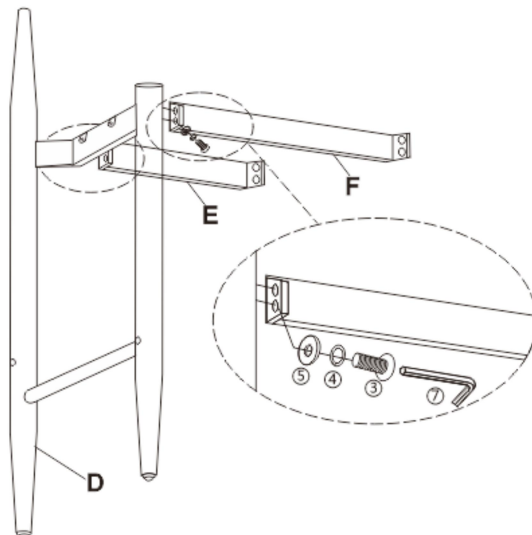
## Assembly Steps

### Overview



This Counter Stool has multiple parts and may require up to 30 minutes to assemble, To give you an overview of the Counter Stool. The above picture is to help you put the various parts into perspective. Please read through the instructions below to familiarise yourself with the parts and steps before assembly.

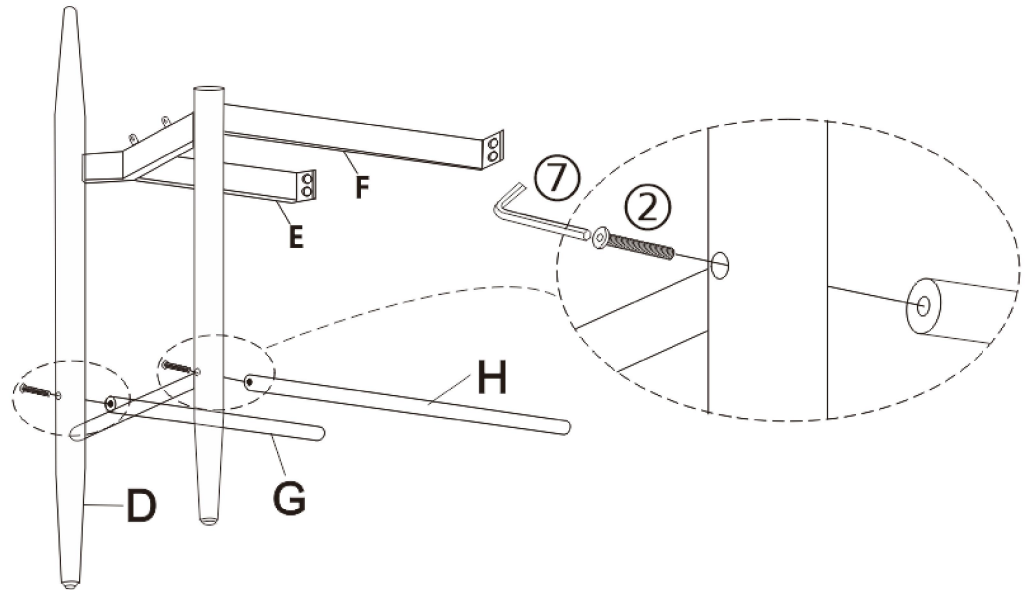
### Step 1



Attach the Back Upper Rail(E) and Front Upper Rail (F) to the Right Metal Leg Frame (D) with the Bolts (③), Spring Washers (④) and Washers (⑤), and Allen Wrench (⑦) as shown in the figure above.

**Note: Do not fully tighten the Bolts in this step.**

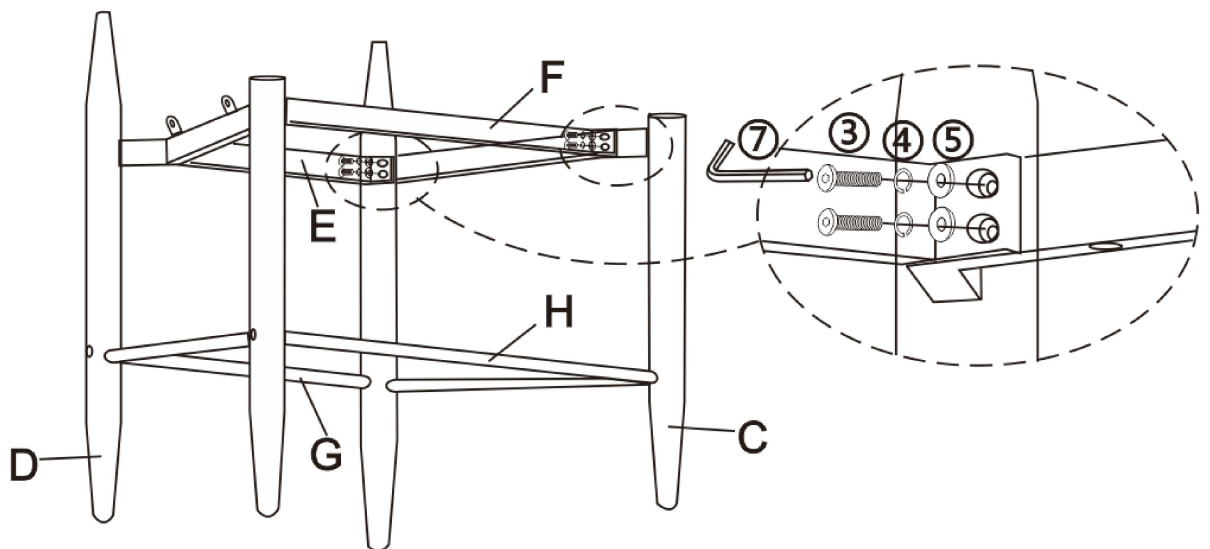
Step 2



Attach the Back Bottom Rail(G) and Footrest(H) to the Right Metal Leg Frame(D) using the Bolts(②), with the Allen Wrench(⑦) as shown above.

**Note: Do not fully tighten the Bolts in this step.**

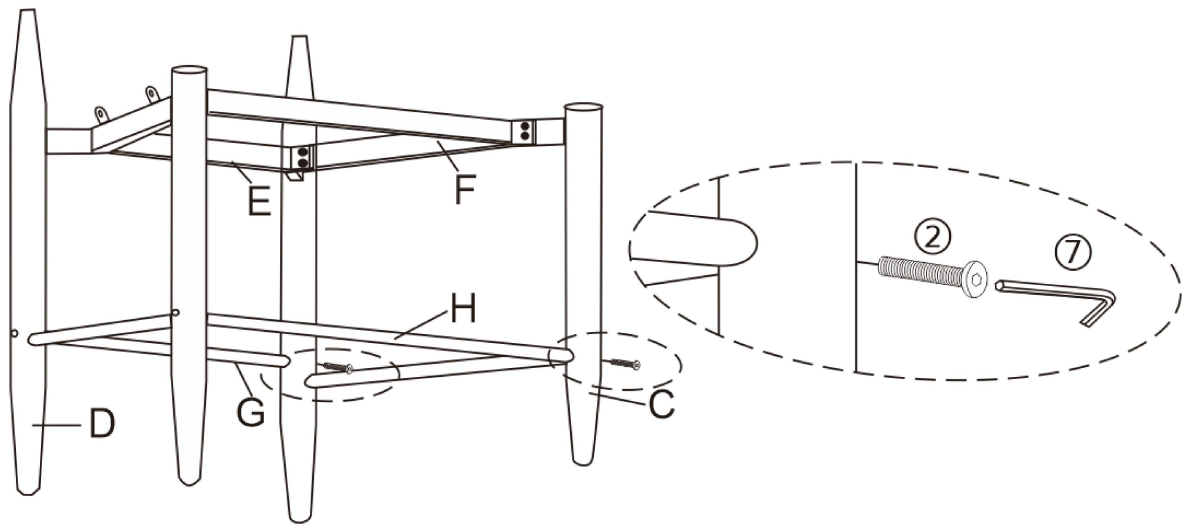
Step 3



Using Bolts(③), Spring Washers(④), and Washers (⑤), with the Allen Wrench(⑦) affix together, the Left Metal Leg Frame(C), the Back Upper Rail(E) and the Front Upper Rail(F) as shown above.

**Note: Do not fully tighten the Bolts in this step.**

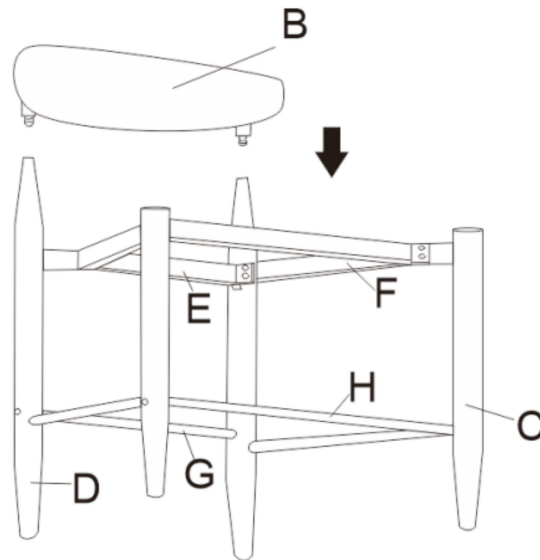
**Step 4**



Using Bolts(②) with the Allen Wrench(⑦) affix together, the Left Metal Leg Frame(C), the Back Bottom Rail(G) and the Footrest(H) as shown above.

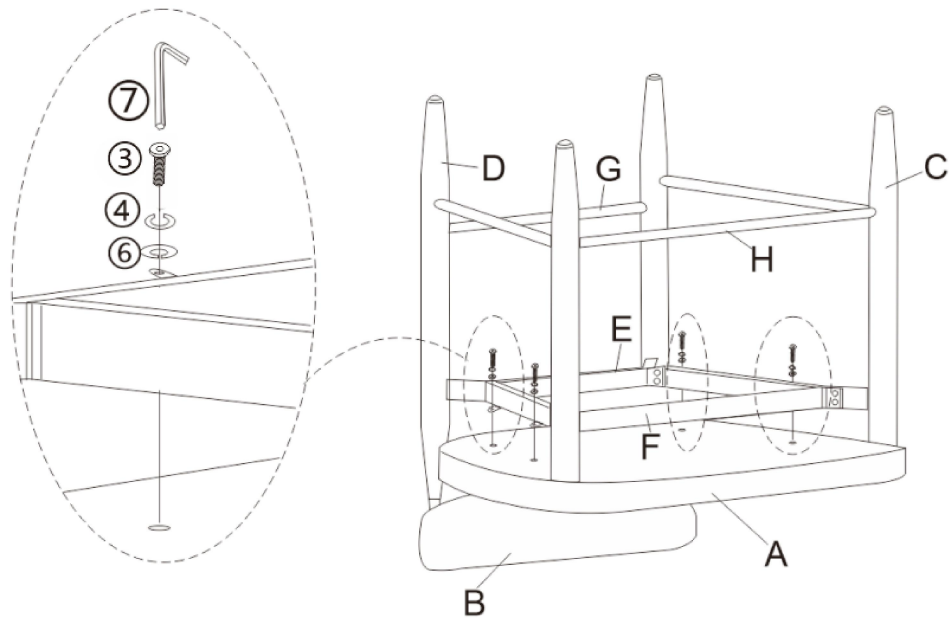
**Note:Do not fully tighten the Bolts in this step.**

**Step 5**



Insert Backrest (B) down into Right Metal Leg Frame (D) and Left Metal Leg Frame (C).

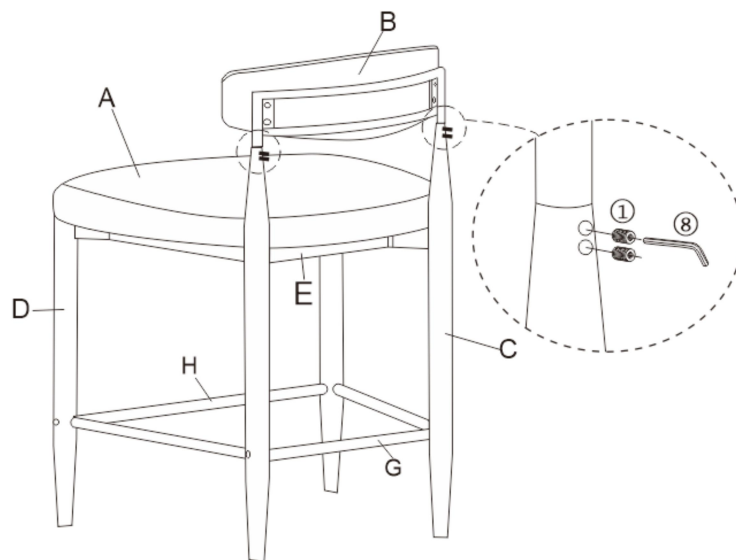
### Step 6



Position the Seat(A) (bottom-up) as shown above, then using Bolts (③), Spring Washers(④), and Washers (⑥), with the Allen Wrench(⑦) affix the Seat(A) to the Left Metal Leg Frame(C) and Right Metal Leg Frame(D).

**Note: Do not fully tighten the Bolts in this step.**

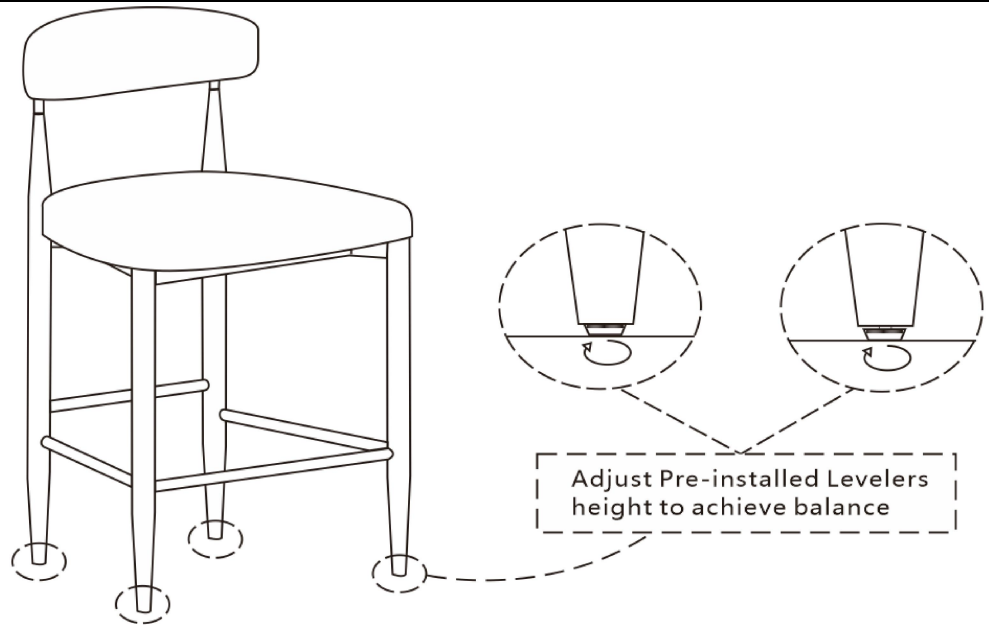
### Step 7



Using Bolts(①) with the Allen Wrench(⑧) affix together, the Backrest (B), the Left Metal Leg Frame(C) and the Right Metal Leg Frame(D) as shown above.

**Note: Once the assembly is completed, proceed to fully tighten all bolts sequentially.**

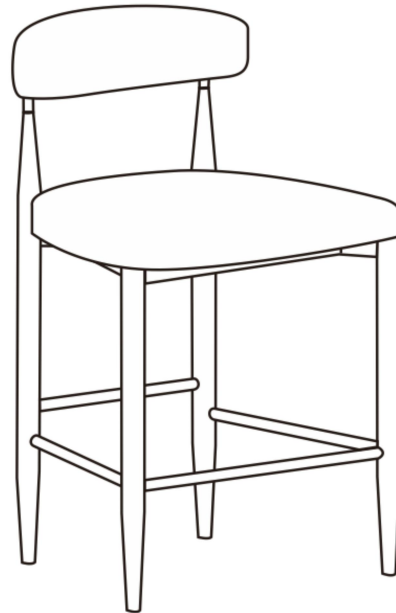
Step 8



Adjust Pre-installed Levelers height to achieve balance

Adjust the Pre-installed Levelers at the bottom of the Left Metal Leg Frame(C) and Right Metal Leg Frame(D) until the Counter Stool is level with the ground.

Step 9



Your Counter Stool is ready for use.

**This Counter Stool can only be used on a flat, level surface.**

## Questions & Answers about Proposition 65

- What is Proposition 65?

Proposition 65 requires businesses to provide warnings to Californians about significant exposures to chemicals that cause cancer, birth defects or other reproductive harm. These chemicals can be in the products that Californians purchase, in their homes or workplaces, or that are released into the environment. By requiring that this information be provided, Proposition 65 enables Californians to make informed decisions about their exposures to these chemicals.

Proposition 65 also prohibits California businesses from knowingly discharging significant amounts of listed chemicals into sources of drinking water.

Proposition 65 requires California to publish a list of chemicals known to cause cancer, birth defects or other reproductive harm. This list, which must be updated at least once a year, has grown to include approximately 900 chemicals since it was first published in 1987.

- What types of chemicals are on the Proposition 65 list?

The list contains a wide range of naturally occurring and synthetic chemicals that include additives or ingredients in pesticides, common household products, food, drugs, dyes, or solvents. Listed chemicals may also be used in manufacturing and construction, or they may be byproducts of chemical processes, such as motor vehicle exhaust.

- What does a warning mean?

If a warning is placed on a product label or posted or distributed at a workplace, a business, or in rental housing, the business issuing the warning is aware or believes that it is exposing individuals to one or more listed chemicals.

By law, a warning must be given for listed chemicals unless the exposure is low enough to pose no significant risk of cancer or is significantly below levels observed to cause birth defects or other reproductive harm.

- Where can I get more information on Proposition 65?

If you have specific questions on the administration or implementation of Proposition 65, you can contact OEHHA's Proposition 65 program at [P65.Questions@oehha.ca.gov](mailto:P65.Questions@oehha.ca.gov), or by phone at (916) 445-6900.