

Assembly Instructions

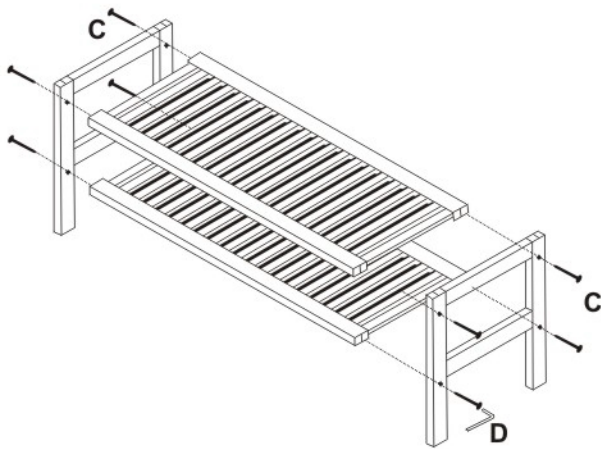
2 Tier Bamboo Shelf

Please note:

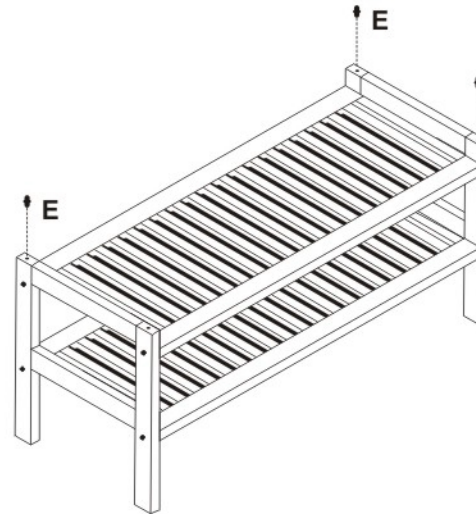
Place all bamboo parts on a clean, dry, and smooth surface like the carpet to avoid scratching the bamboo.

Please follow the assembly instructions below step by step.

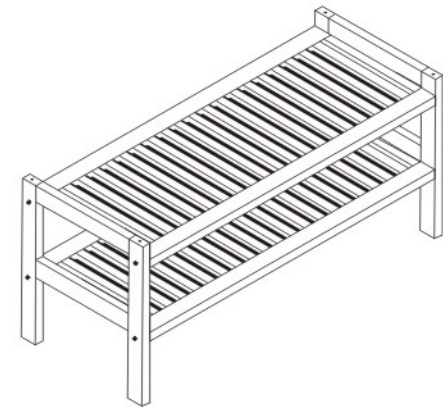
Step 1

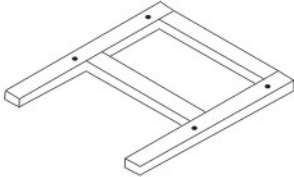
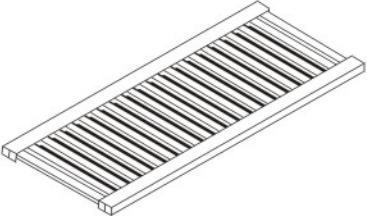





Step 2



Step 3



				 stacking pin
A x 2	B x 2	C x 8	D x 1	E x 4