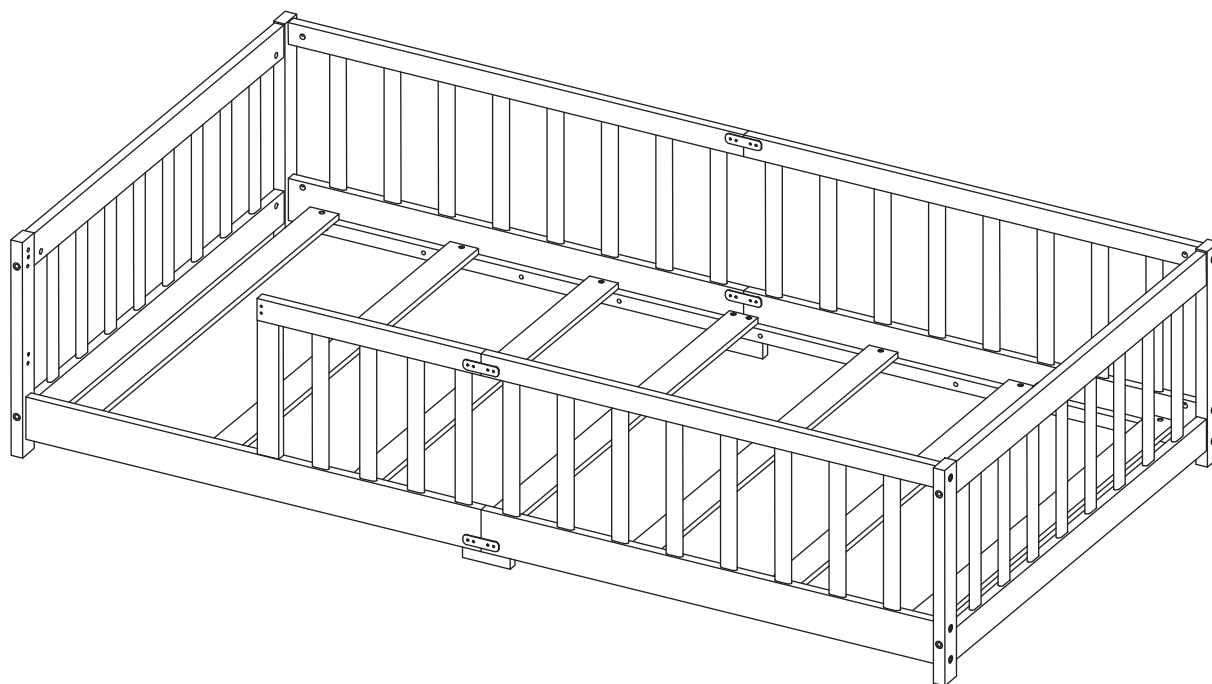
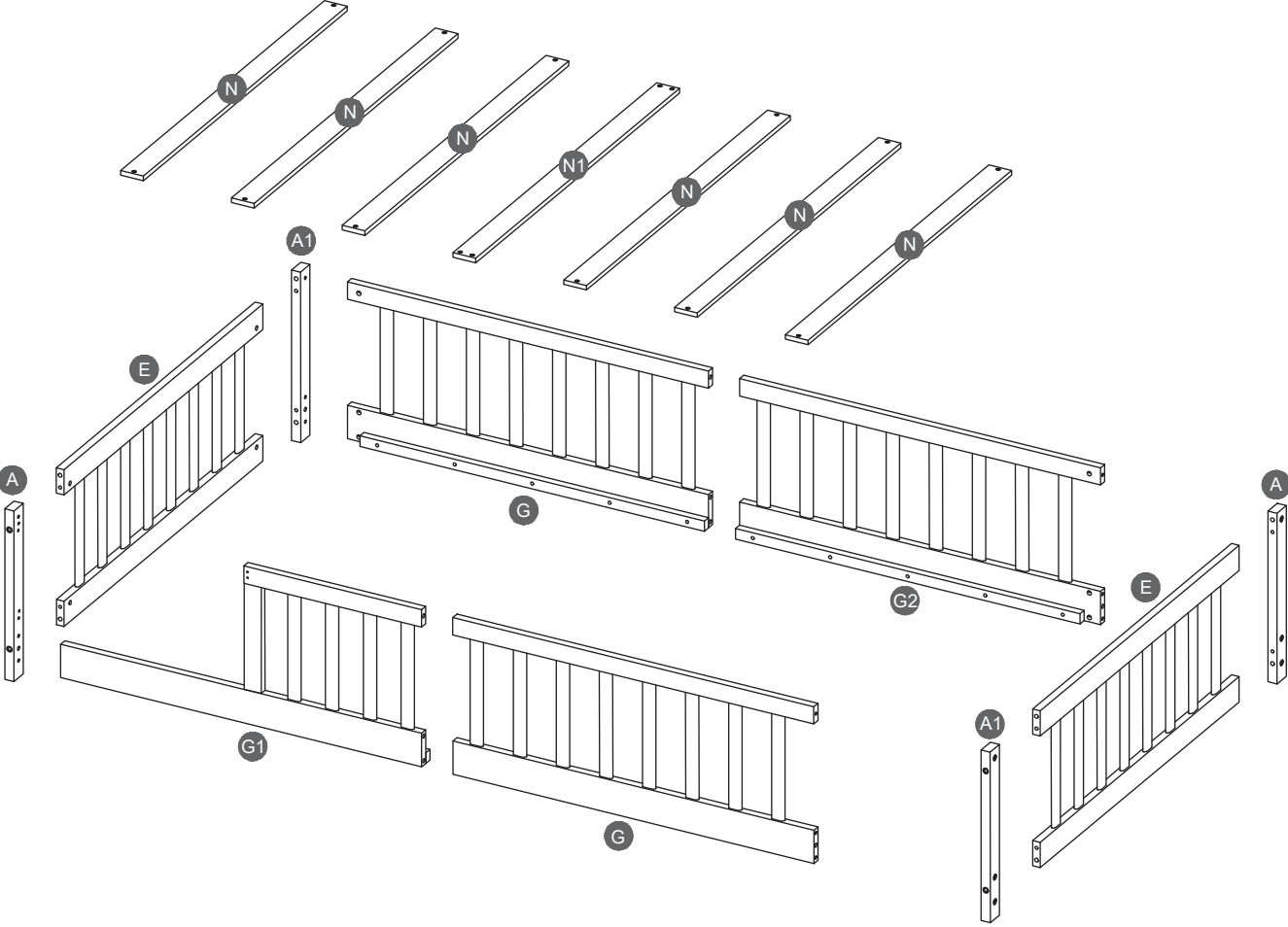


ASSEMBLY INSTRUCTIONS

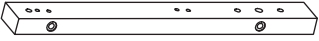
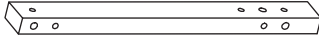
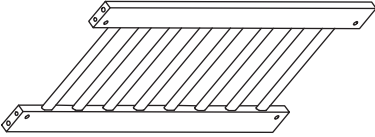
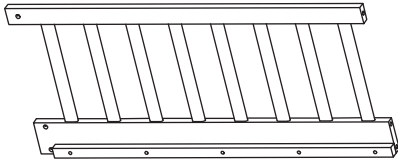
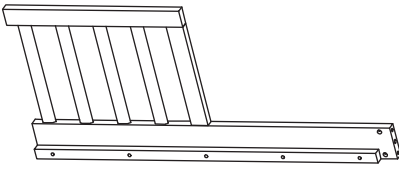
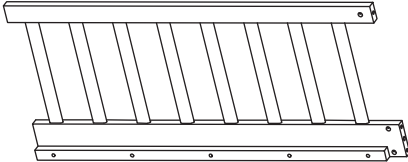
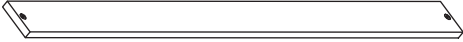
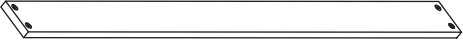
TWIN FLOOR BED WITH FENCE, WITHOUT DOOR






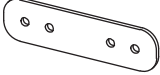
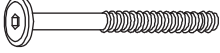
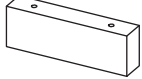







Detail View



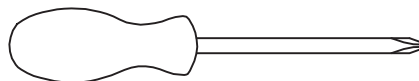
Part List

A  Leg - 2pcs	A1  Leg - 2pcs
E  Hb. Fb. Panel - 2pcs	G  Side Rail - 2pcs
G1  Side Rail - 1pc	G2  Side Rail - 1pc
N  Bed Slats - 6pcs	N1  Bed Slats (Mid.) - 1pc

Hardware List




1  M6 x 80mm JCBC (8pcs)	2  M6 x 15mm Barrel Nut (19pcs)	3  M10 x 30mm Wood Dowel (Short) (12pcs)
4  Metal Bracket (8pcs)	5  M6 x 65mm JCBC (11pcs)	6  Side Rail Bottom Support (2pcs)
7  M4 x 32mm CSK Screw (4pcs)	8  M3.5 x 16mm CSK Screw (32pcs)	9  Sticker Cap (2pcs)
10  M10 x 40mm Wood Dowel (Long) (6pcs)	11  20 x 20 x 233mm Wood Block (1pc)	12  M4 x 25mm CSK Screw (16pcs)
13  M4 Allen Key (1pc)		

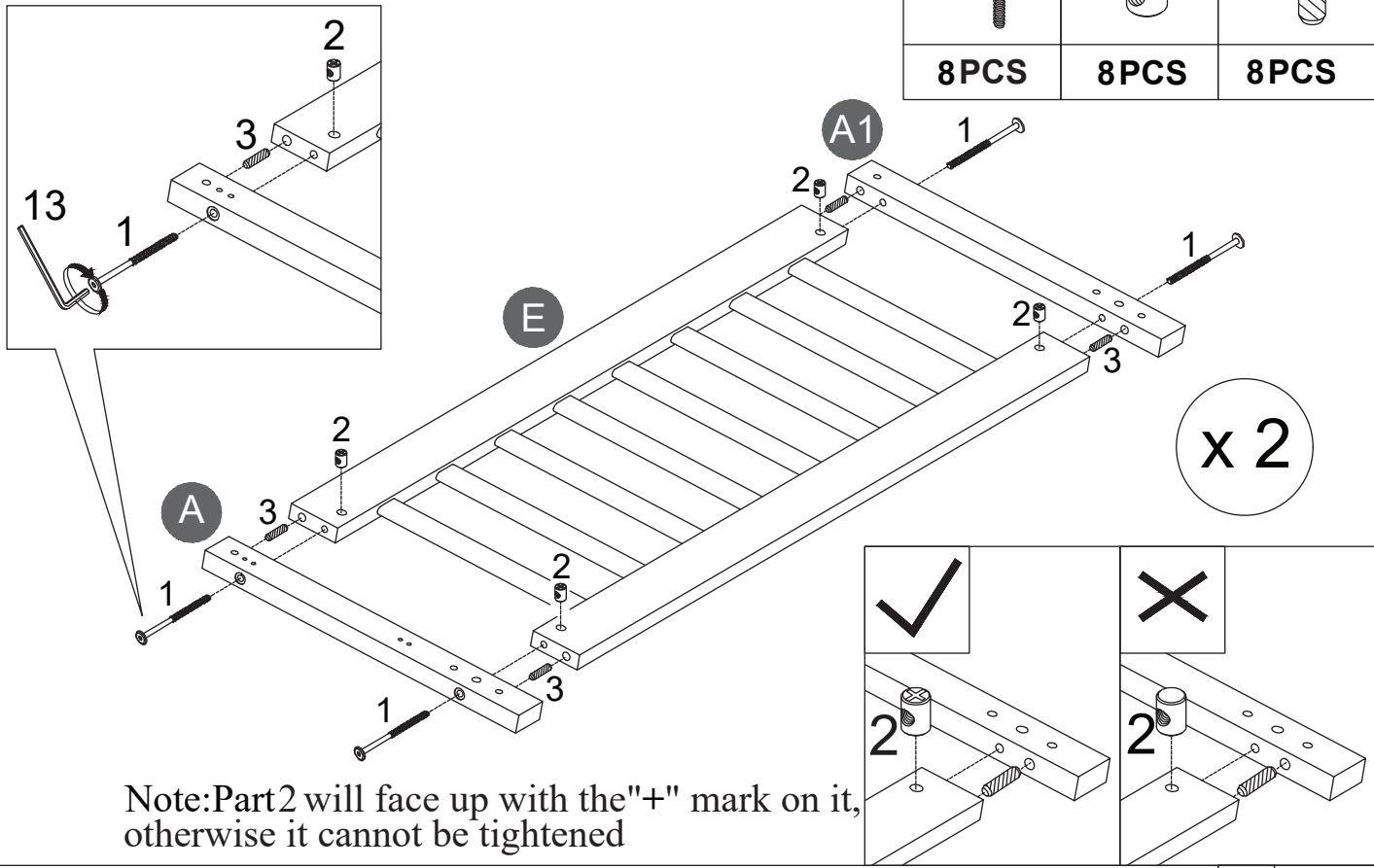
ASSEMBLY TOOLS REQUIRED (NOT INCLUDED)



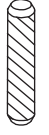
PLEASE BE CAREFUL DO NOT DAMAGE THE HOLE POSITION WHEN YOU USE POWER TOOLS !

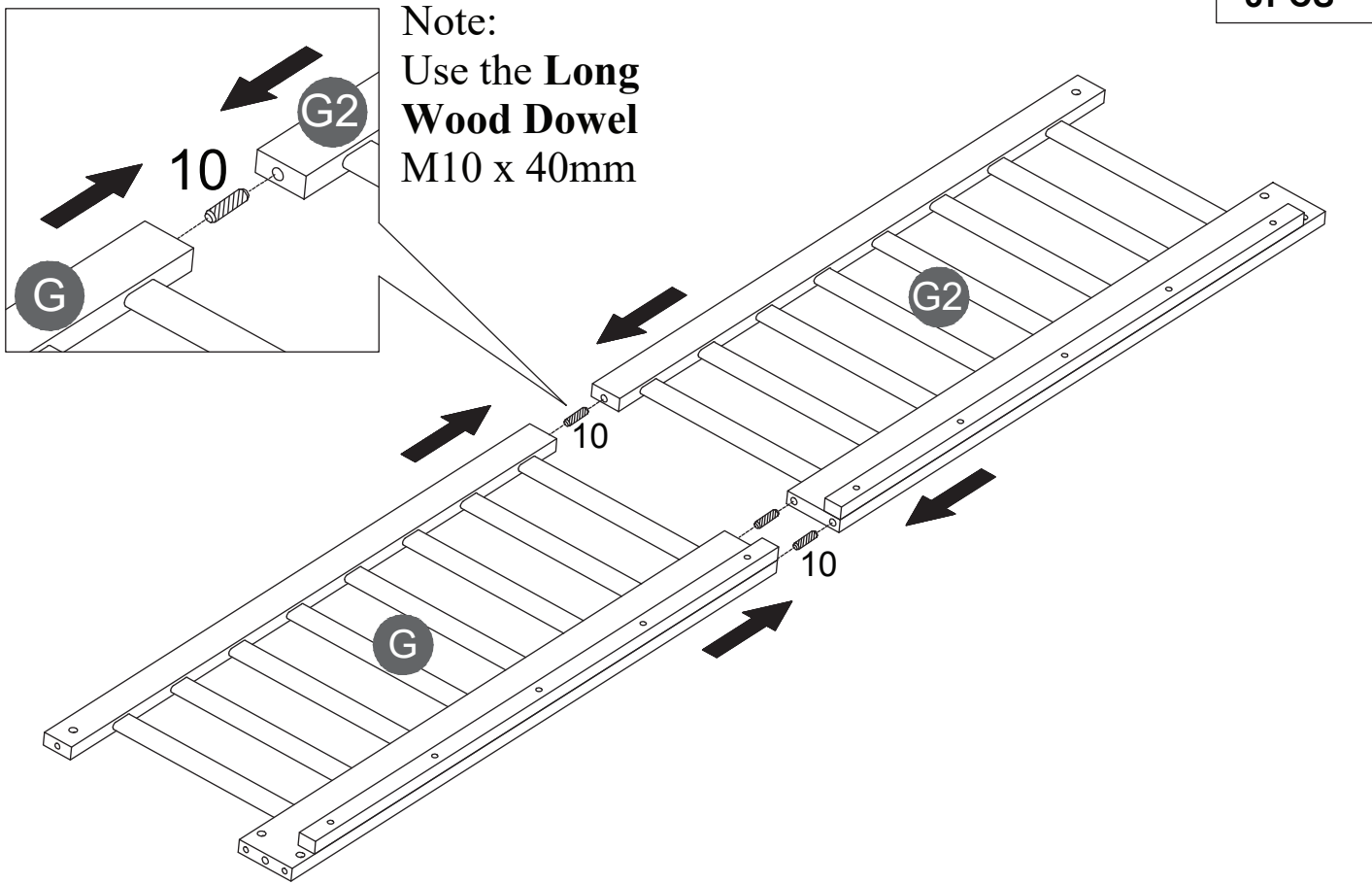
STEP 1:

1		2		3	
8PCS		8PCS		8PCS	

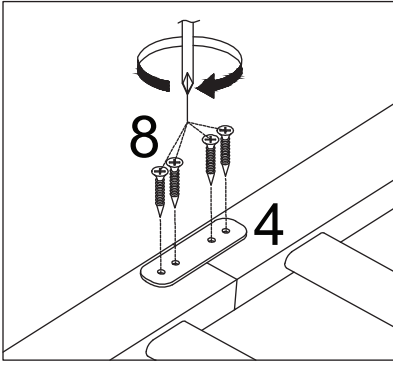


STEP 2:

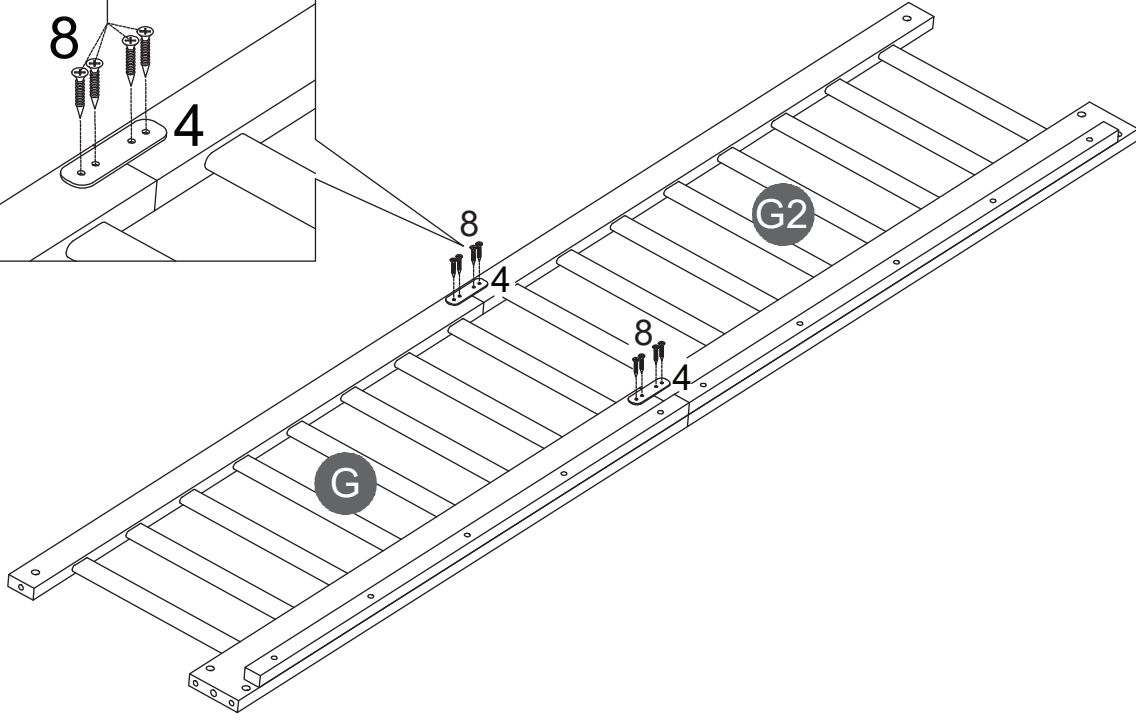
10	
3PCS	



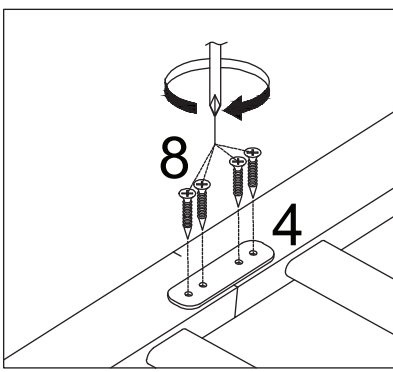
STEP 3:



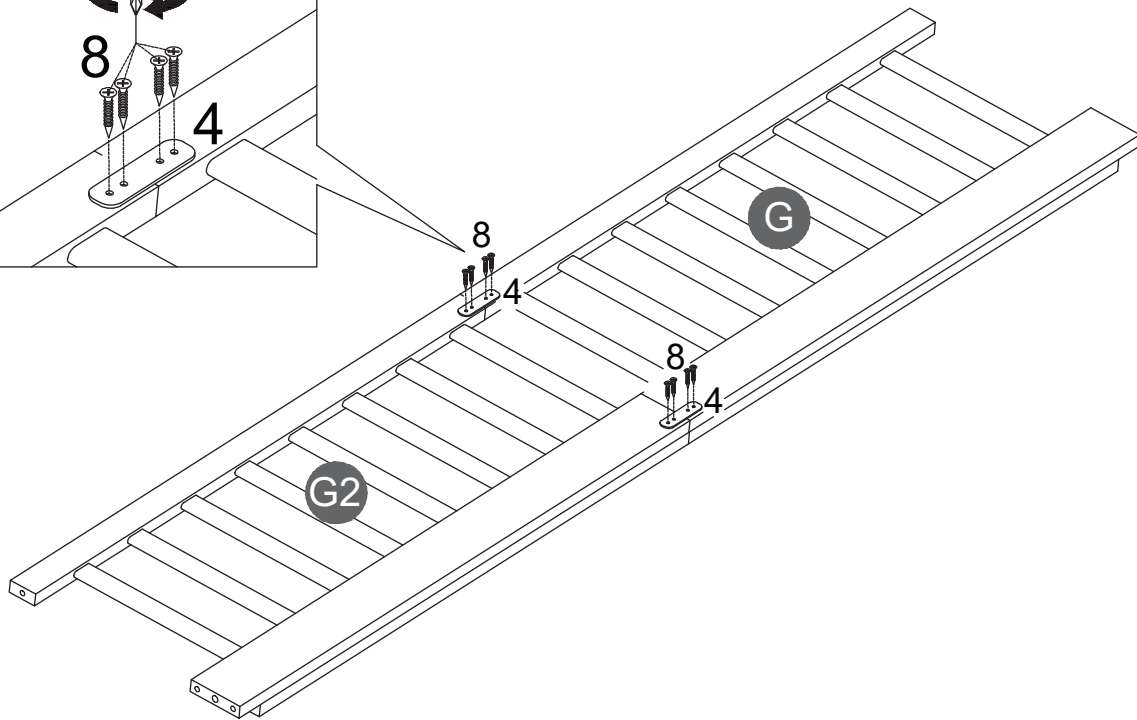
4	8
2PCS	8PCS



STEP 4:

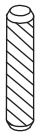


4	8
2PCS	8PCS

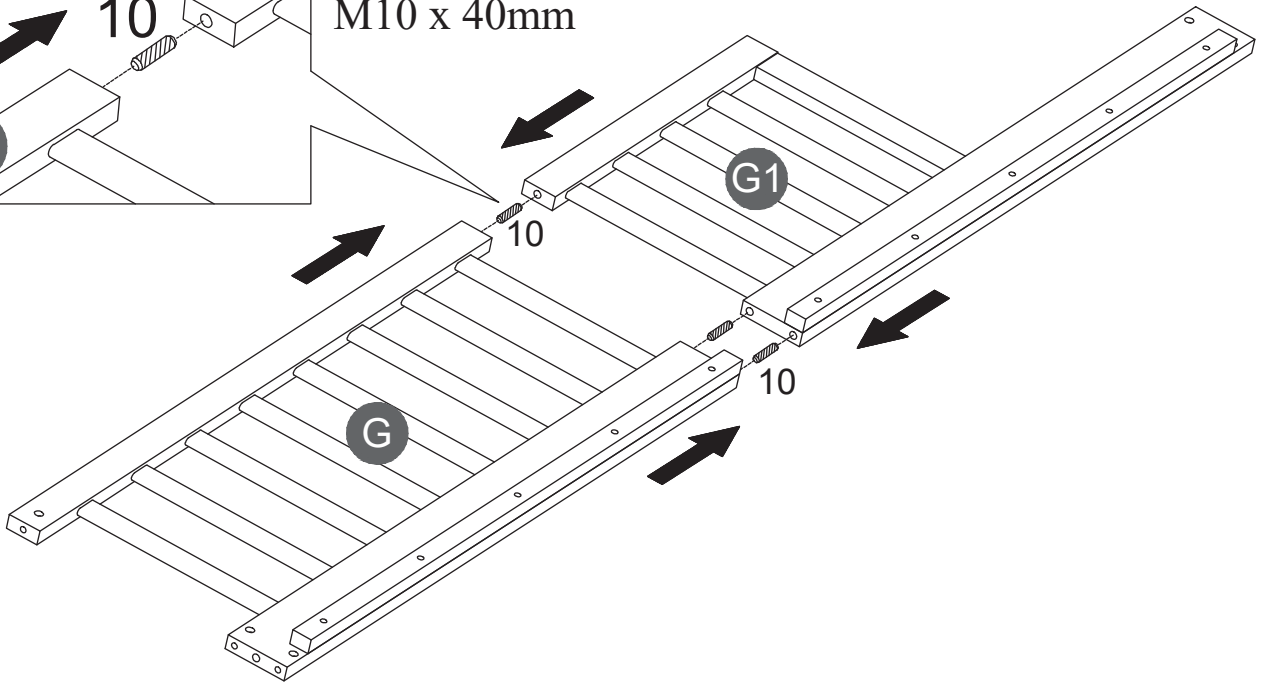
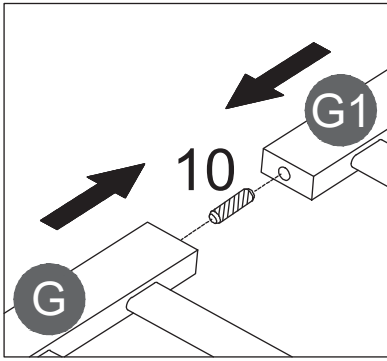


After completing the installation of Step 3, please flip to the other side.

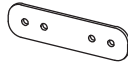

STEP 5:

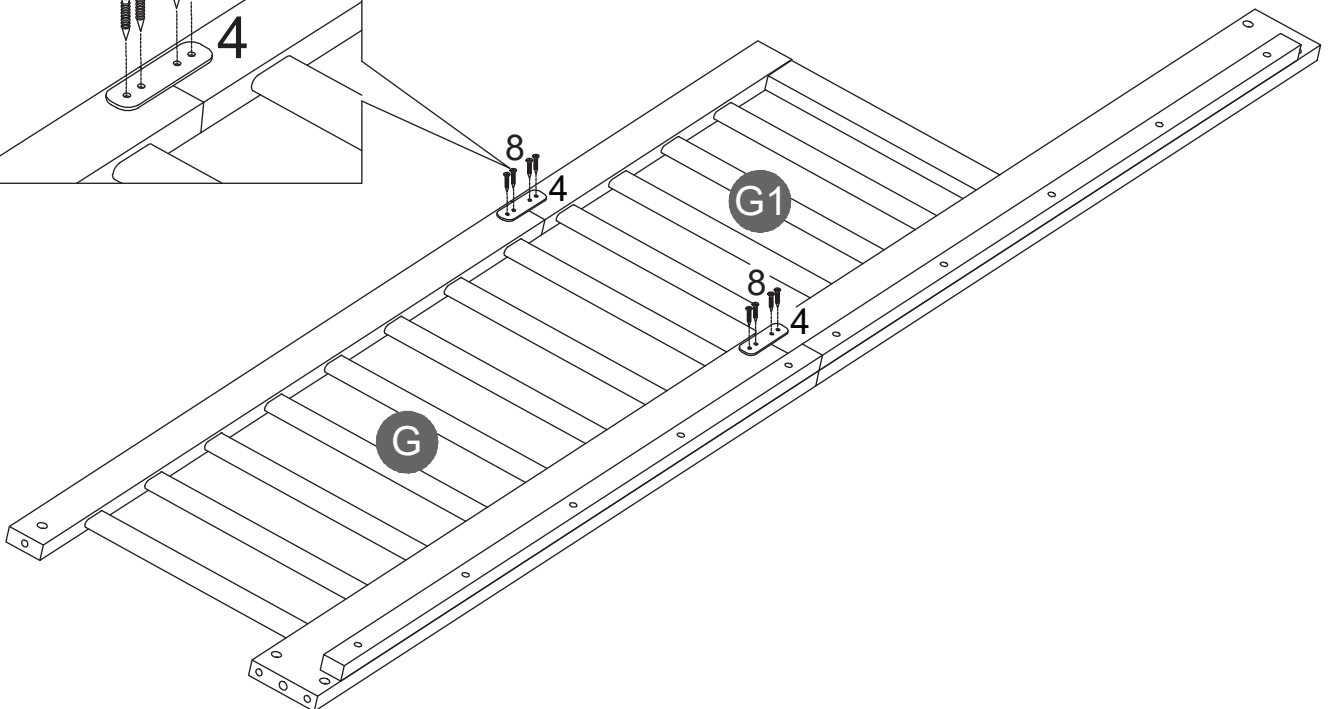
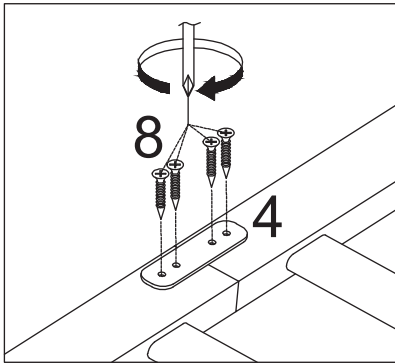
10	
3PCS	

Note:
Use the **Long Wood Dowel**
M10 x 40mm

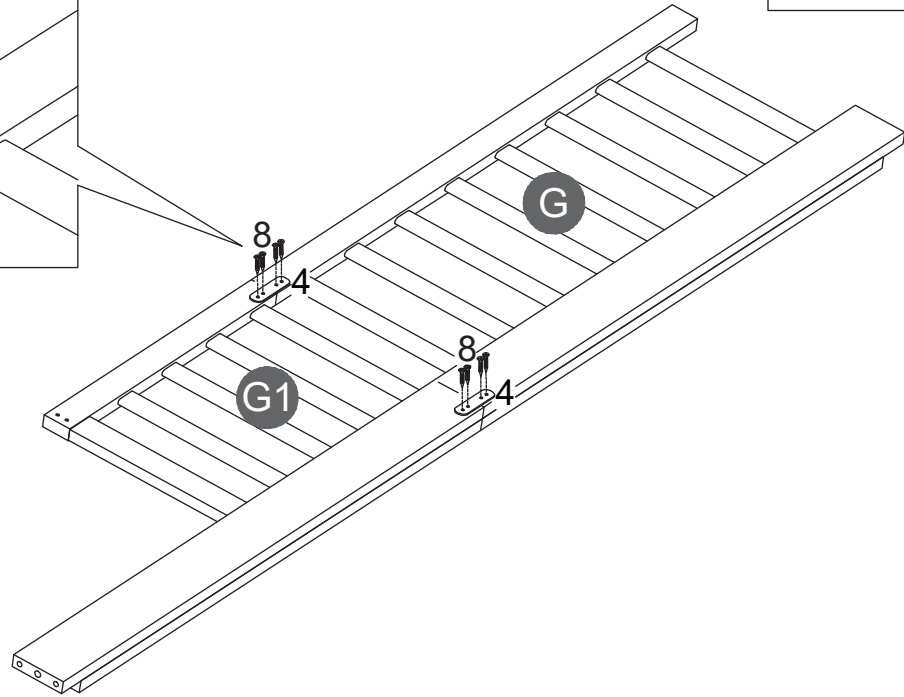
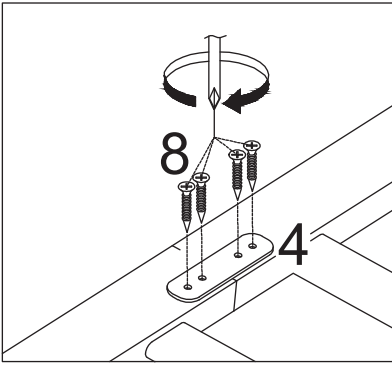


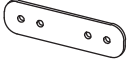

STEP 6:

4	8
	
2PCS	8PCS



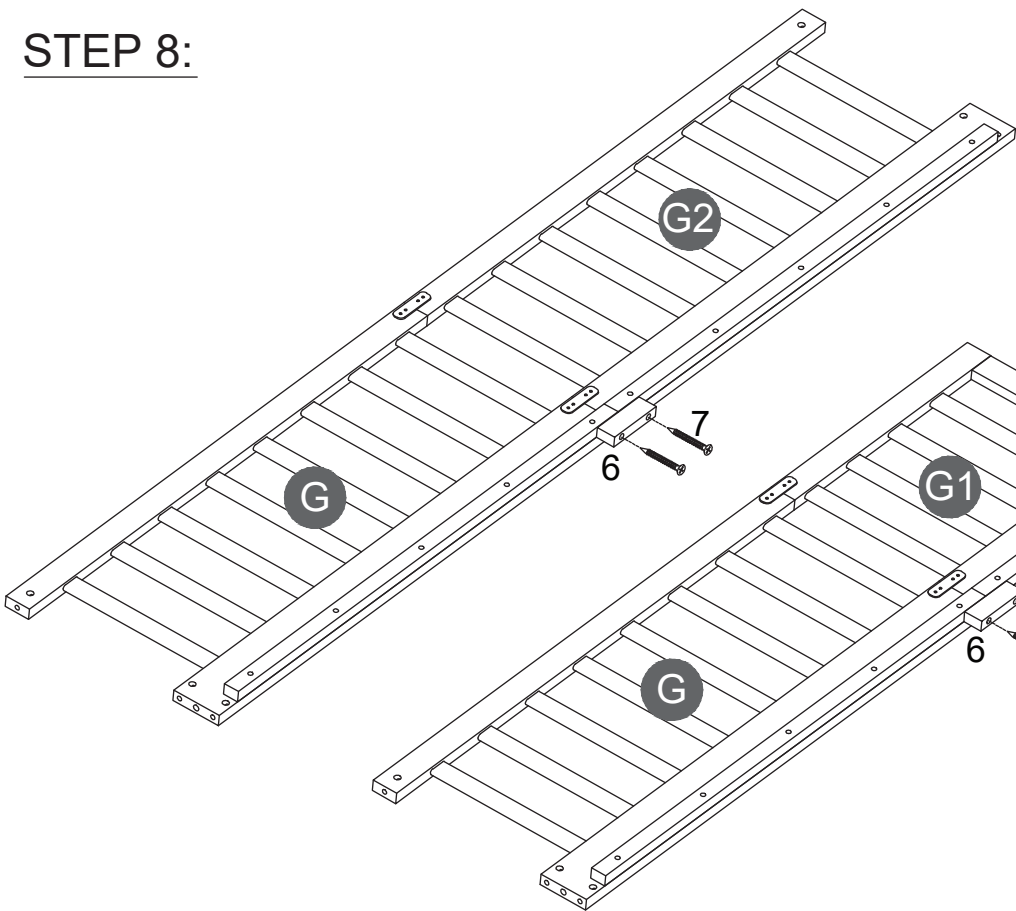
STEP 7:

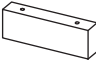



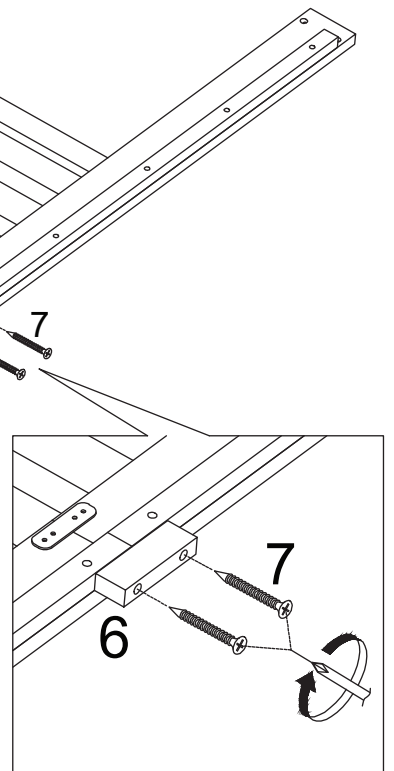
4 	8 
2PCS	8PCS

After completing the installation of Step 6, please flip to the other side.

STEP 8:

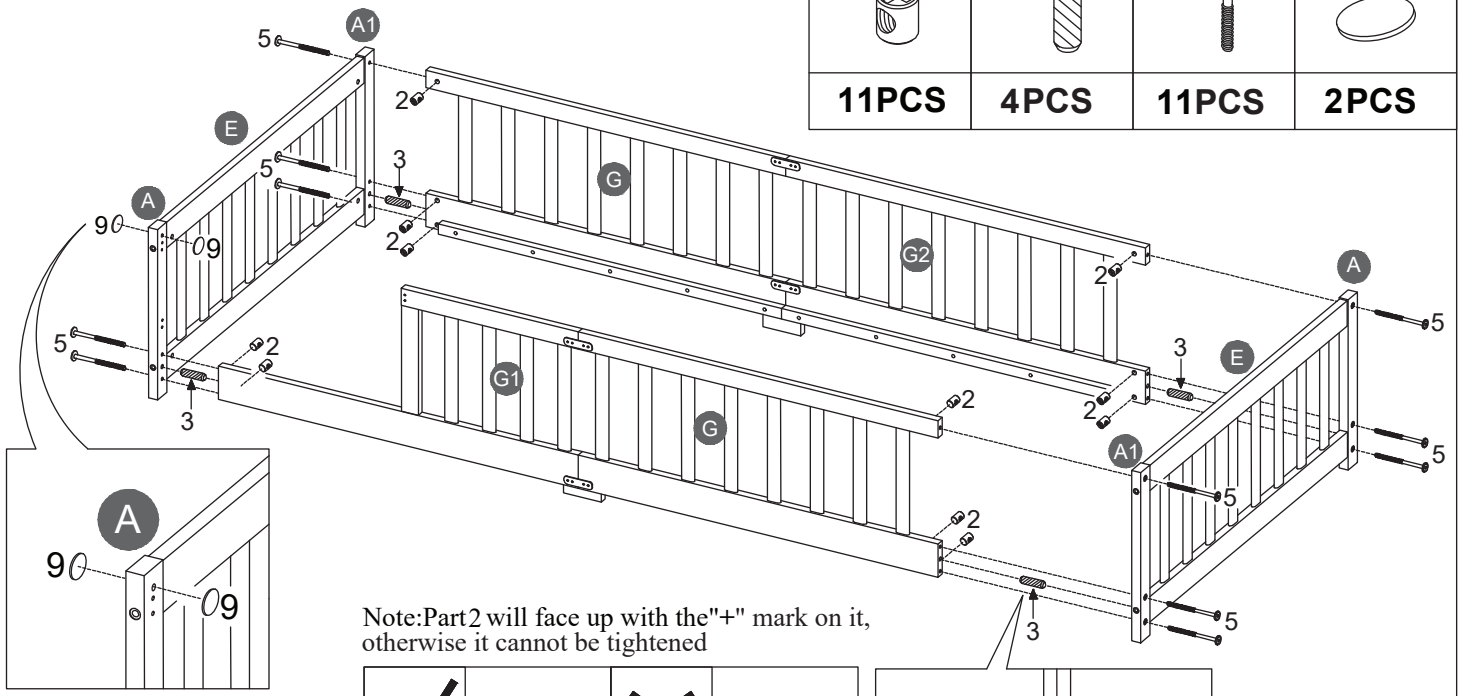


6 	7 
2PCS	4PCS

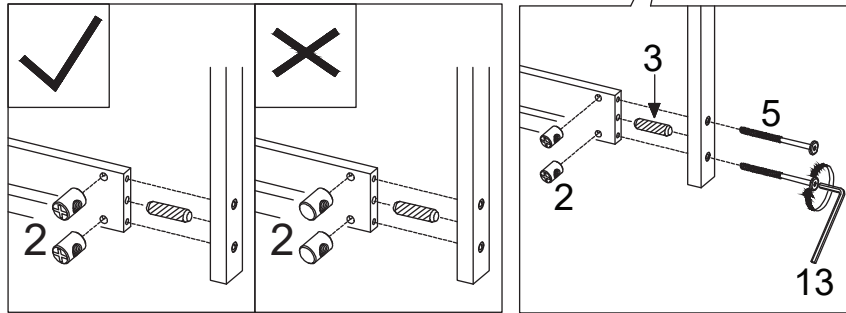


STEP 9:

2 	3 	5 	9
11PCS	4PCS	11PCS	2PCS

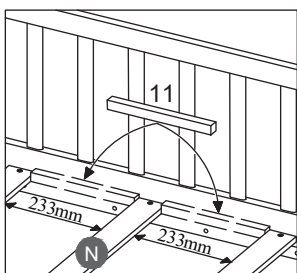
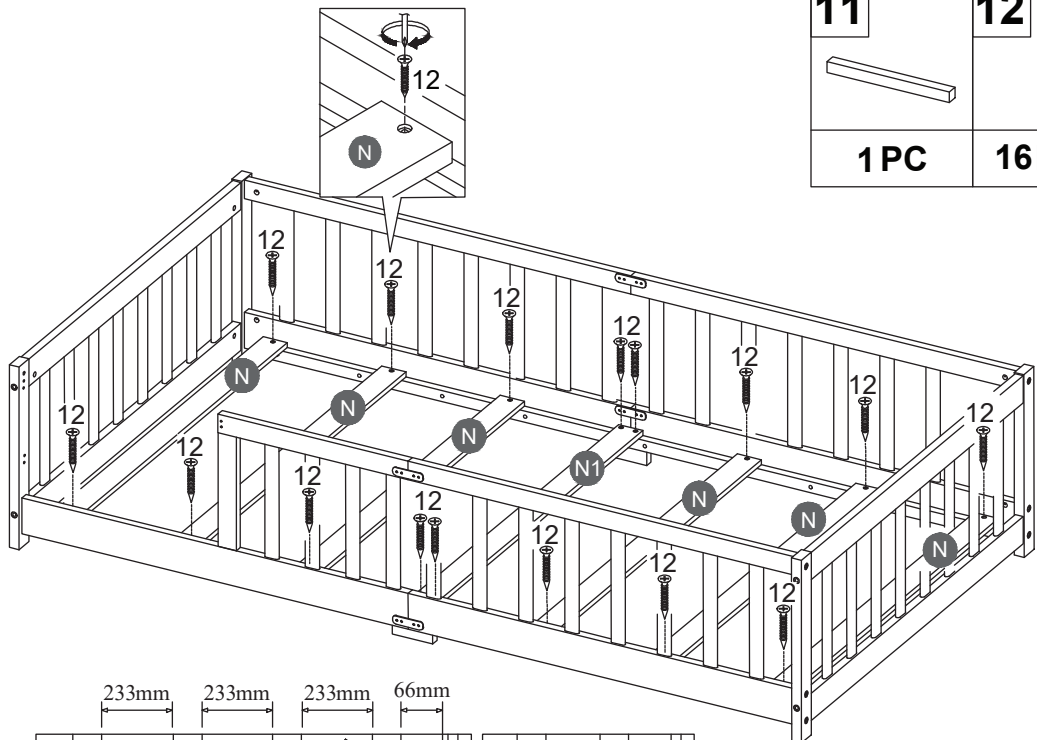


Note: Part 2 will face up with the "+" mark on it, otherwise it cannot be tightened

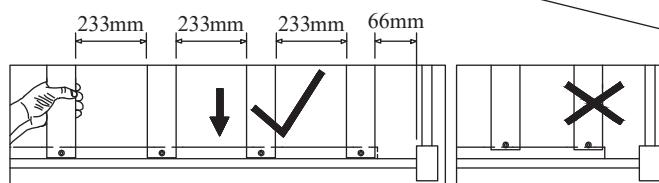


STEP 10:

11 	12
1 PC	16PCS



Note: Use Wood Block as a guidance distance between Bed Slats.



Note: Do not lock the screws of the bed slats to the outermost edge of the bed slats, you need to leave a certain space at the edges, otherwise it will cause the board to break. Do not lock the bed slats on the edge of the wood, please hold firmly before screwing, hold it in place with one hand, then lock the screw.