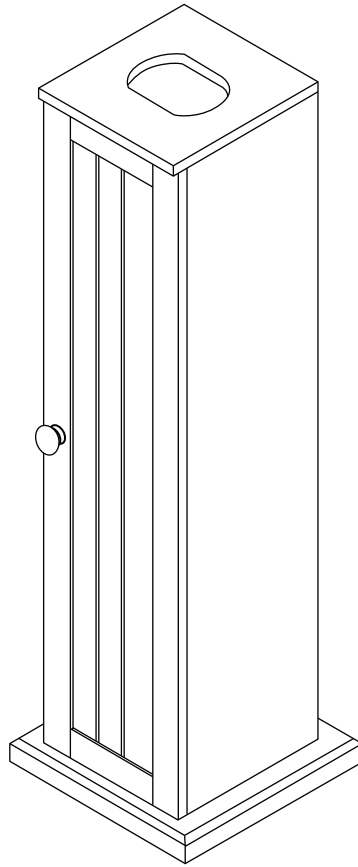


# TOILET ROLL CUPBOARD ASSEMBLY INSTRUCTIONS



**W198 x D198 x H650MM**  
**COLOUR: WHITE**

---

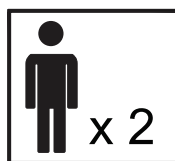
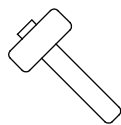
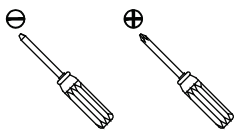
**PLEASE READ** this sheet prior to assembly to familiarise yourself with the various stages of construction.

Carefully open the pack supplied and check the contents against the parts and fittings check list. Do not destroy any of the packaging until you are certain that you have all the necessary parts for the assembly.

**CAUTION:** There are small components used in the construction of this unit. These loose items should be kept away from young children whilst assembling your unit to avoid the danger of choking hazards.

---

## Tools Required



# TOILET ROLL CUPBOARD ASSEMBLY INSTRUCTIONS

**IMPORTANT - READ CAREFULLY - RETAIN THESE INSTRUCTIONS FOR FUTURE REFERENCE.**

## **INFORMATION**

- Due to the size of this product we recommend that it is assembled in the room intended for use.
- When you are ready to start, make sure that you have the right tools, plenty of space and a clean, dry area for assembly.
- Unwrap all packaging materials and place the components on top of the carton box or on a clean floor to prevent it from scratching.
- Check the pack and make sure you have all the parts listed.
- Ensure that this product is fully assembled as illustrated before use.
- Check all screws or bolts are tightened and inspect regularly
- Tools are not included.
- This product should only be used on firm, level ground.
- Keep small parts out of reach of children.
- Make sure the legs remain in contact with the ground.

## **WARNINGS**

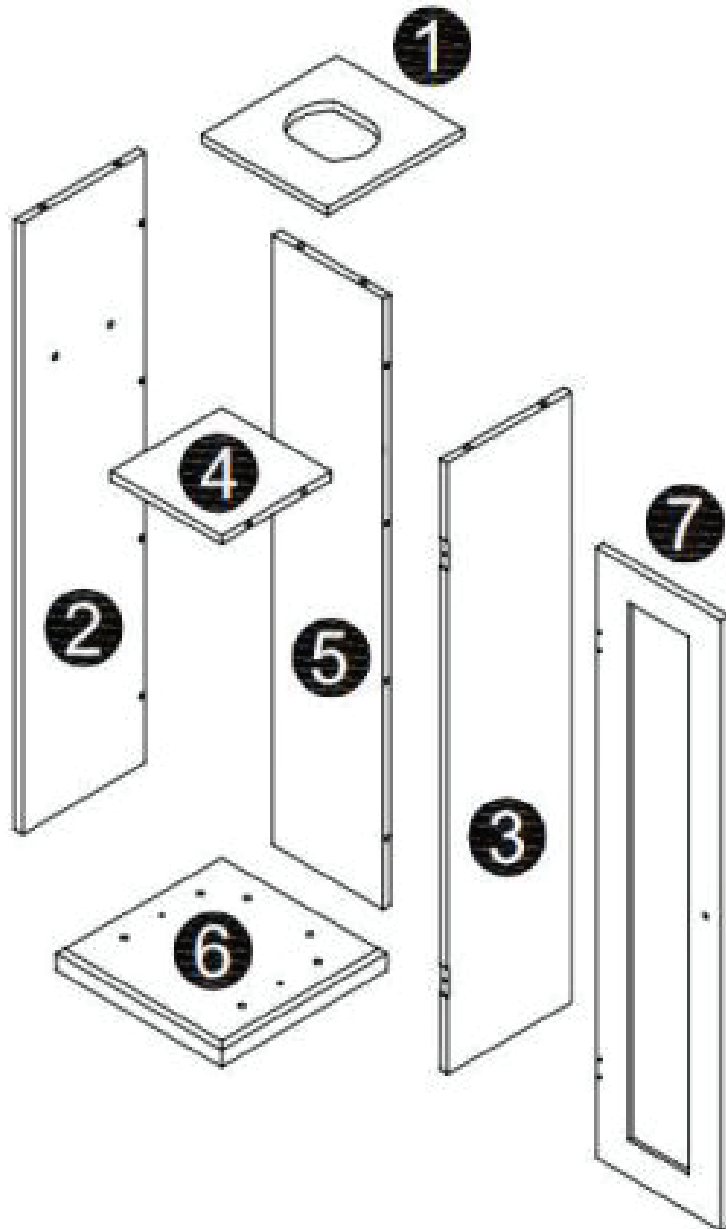
- DO NOT use power tools to construct this product.
- DO NOT tighten screws until fully assembled.
- DO NOT over tighten screws or bolts.
- DO NOT use this product if parts are missing, damaged or worn.
- DO NOT sit or stand on the product.

## **CARE INFORMATION**

- Never use scourers, abrasives or chemical cleaners.
- To clean wipe with a sponge and warm soapy water. Do not use solvent based cleaners or detergents as they can bleach or damage the product.

# TOILET ROLL CUPBOARD ASSEMBLY INSTRUCTIONS

Please check the pack contents before assembling the product. If any components are missing, please contact your retailer. The fittings pack contains small items that should be kept away from small children.



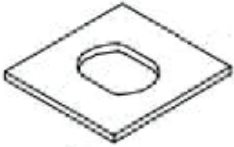
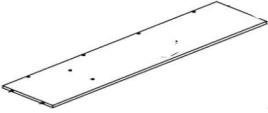
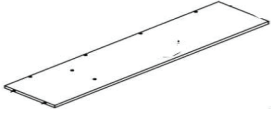


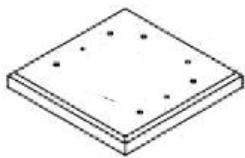

# TOILET ROLL CUPBOARD ASSEMBLY INSTRUCTIONS

## Parts and Fittings Checklist

Please check the pack contents before assembling this product. If any components are missing, please contact your retailer.

The fittings pack contains small items that should be kept away from small children.

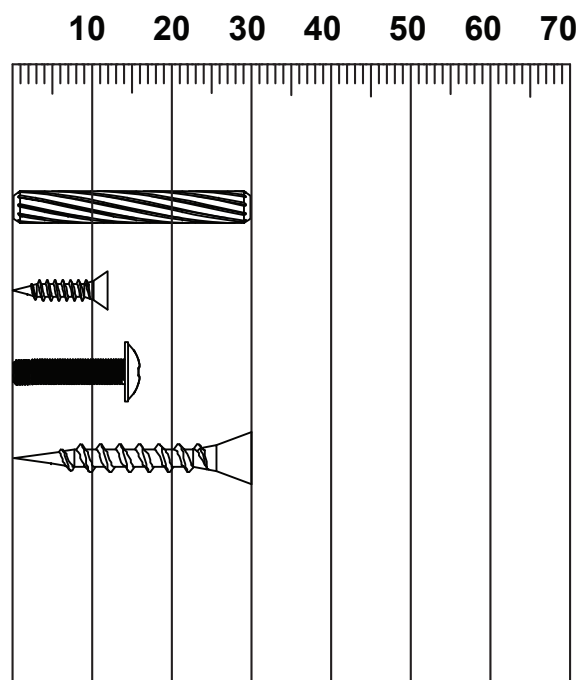
### Parts

<p><b>1</b></p> 	<p><b>2</b></p> 	<p><b>3</b></p> 
<p>Description: TOP PANEL Qty: 1PC Size: 150X160X9MM</p>	<p>Description: LEFT SIDE PANEL Qty: 1PC Size: 621X147X9MM</p>	<p>Description: RIGHT SIDE PANEL Qty: 1PC Size: 621X147X9MM</p>
<p><b>4</b></p> 	<p><b>5</b></p> 	<p><b>6</b></p> 
<p>Description: SHELF PANEL Qty: 1PC Size: 130x130x9MM</p>	<p>Description: BACK PANEL Qty: 1PC Size: 621x130x9MM</p>	<p>Description: BOTTOM PANEL Qty: 1PC Size: 198x198x18MM</p>
<p><b>7</b></p> 		
<p>Description: DOOR PANEL Qty: 1PC Size: 610x150x12MM</p>		

# TOILET ROLL CUPBOARD ASSEMBLY INSTRUCTIONS

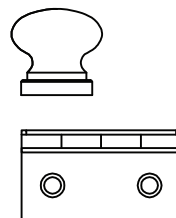
## Fixings (to scale)

Ref	Dimensions	Qty
B	Wood Dowel- M6x30MM	24
D	Screw- M3x12MM	8
E	Screw- M4x14MM	1
F	Screw- M4x30MM	2



## (Not to scale)

A	Handle	1
C	Hinge	2



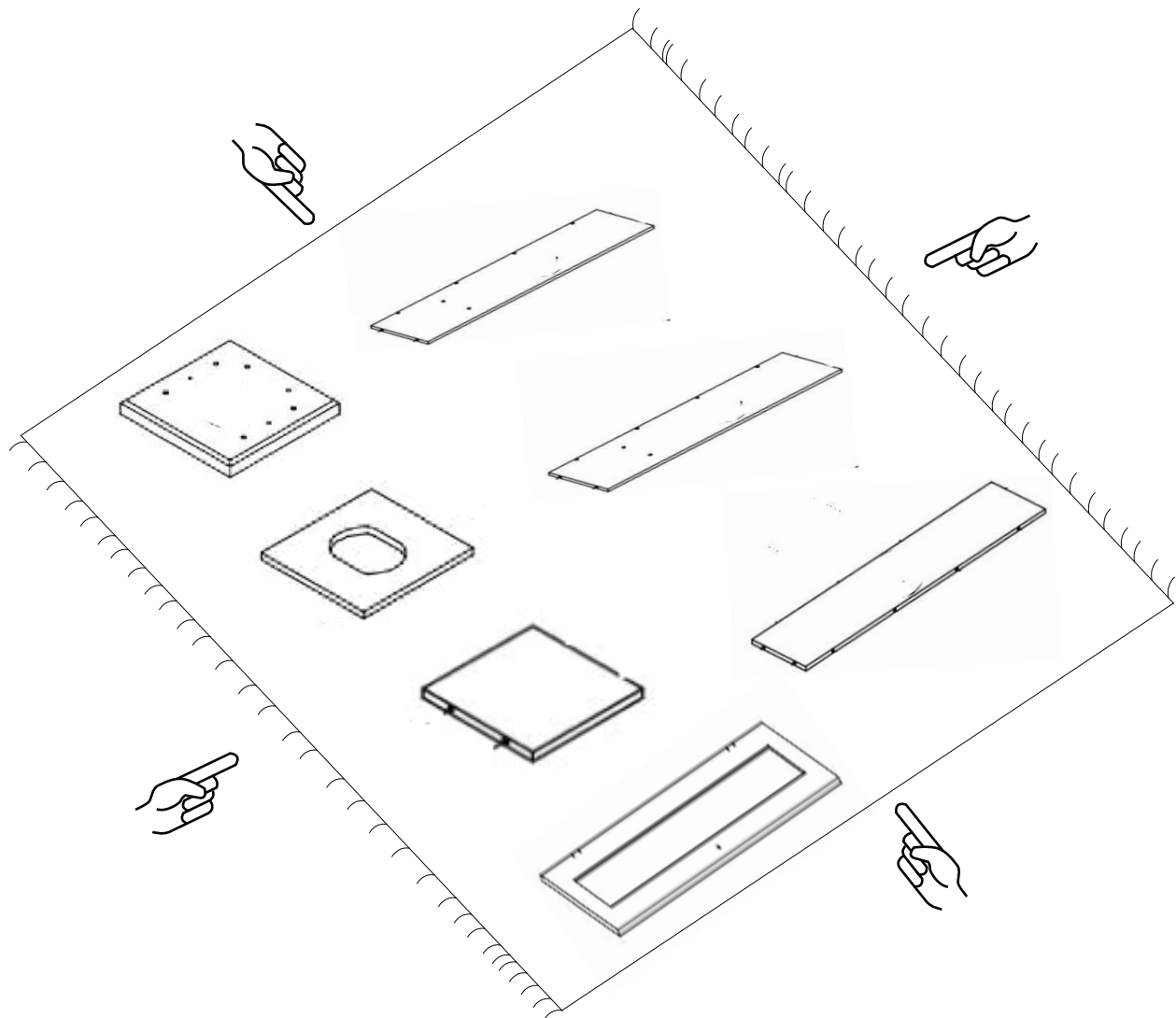
**CAUTION:** There are many small components used in the construction of this product. Please keep these components away from young children whilst assembling this product.

If you keep the fittings in a bowl during assembly you will be less likely to lose them!

# TOILET ROLL CUPBOARD ASSEMBLY INSTRUCTIONS

## Layout Parts on Soft Surface

Lay out all part on a soft surface i.e. Rug, Carpet or Packaging Carton.

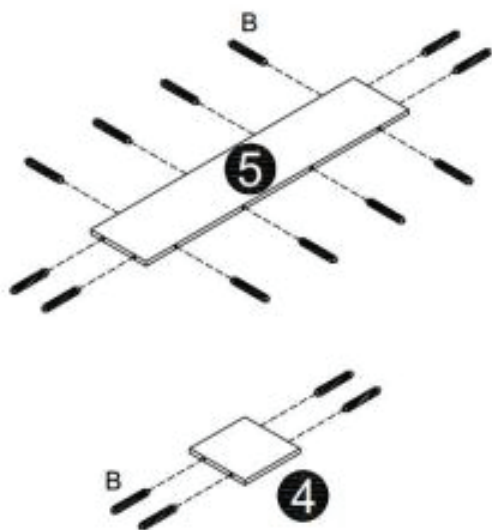


# TOILET ROLL CUPBOARD ASSEMBLY INSTRUCTIONS

## STEP 1

### Parts Required

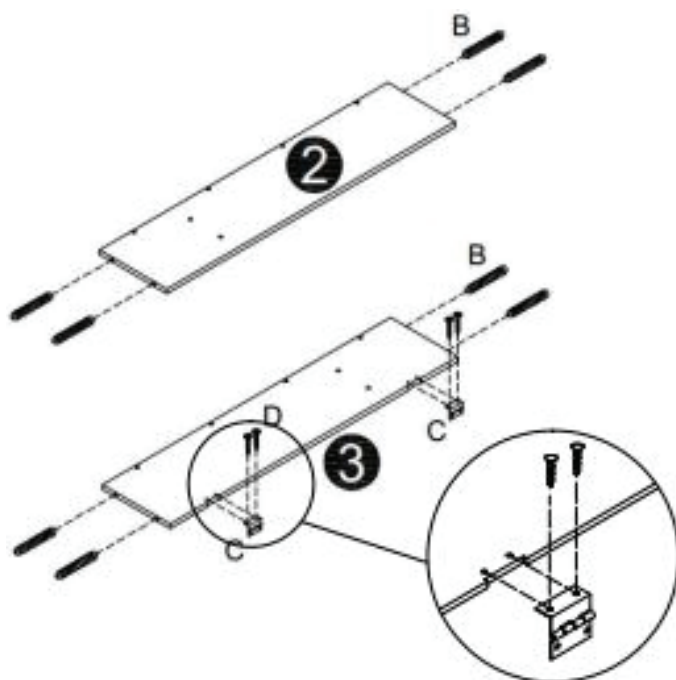
- 5. Back Panel x 1
- 4. Shelf Panel x 1
- B. Wood Dowel x 16



## STEP 2

### Parts Required

- 2. Left Side Panel x 1
- 3. Right Side Panel x 2
- B. Wood Dowel x 8
- C. Hinge x 2
- D. Screw x 4

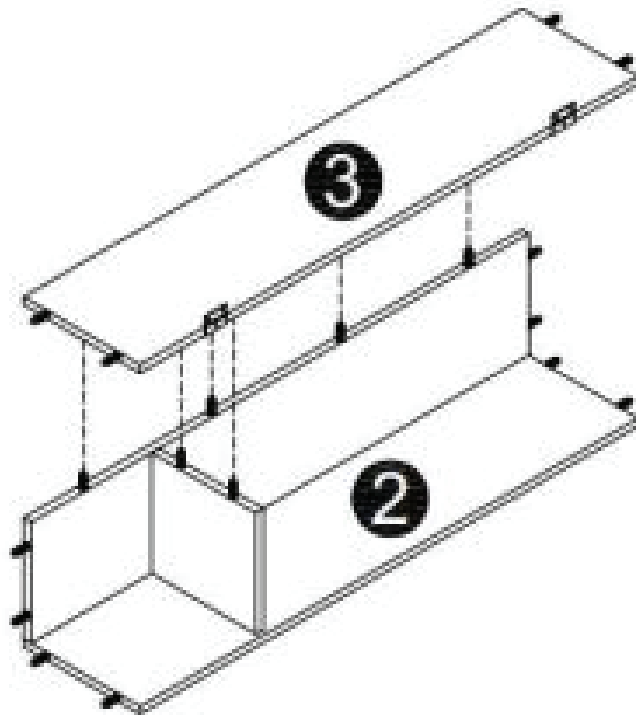
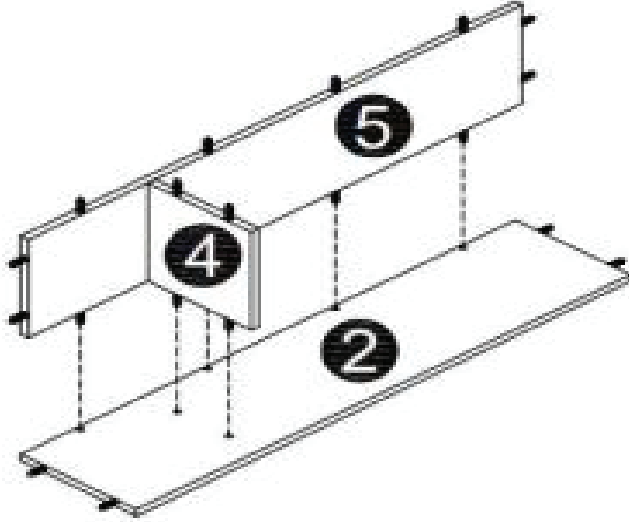


# TOILET ROLL CUPBOARD ASSEMBLY INSTRUCTIONS

## STEP 3

### Parts Required

- 5. Back Panel x 1
- 4. Shelf Panel x 1
- 2. Left Side Panel x 1
- 3. Right Side Panel x 1

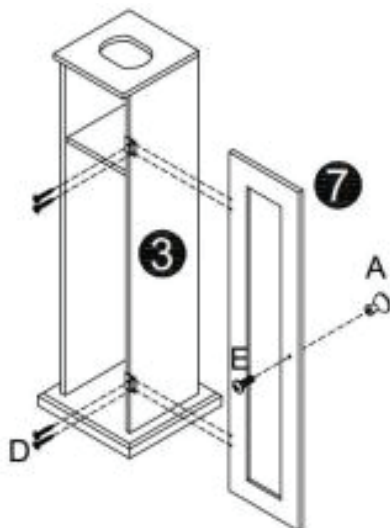
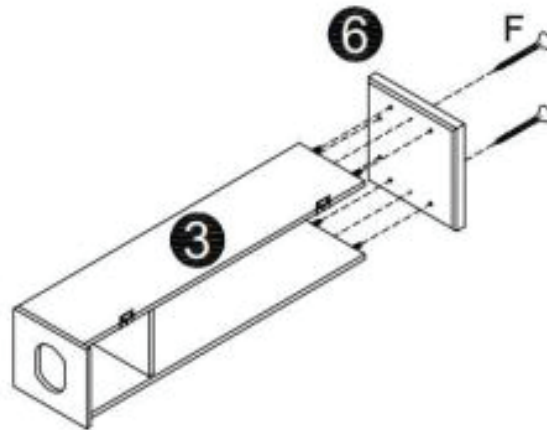
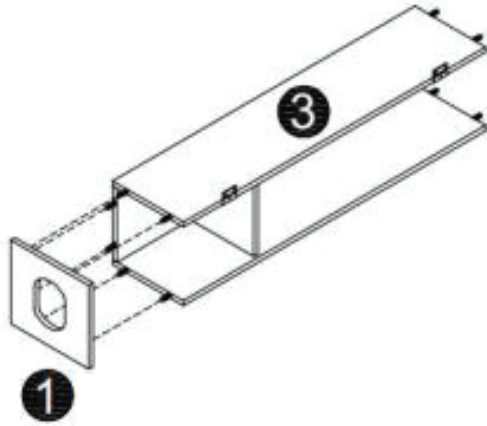


# TOILET ROLL CUPBOARD ASSEMBLY INSTRUCTIONS

## STEP 4

### Parts Required

- 1. Top Panel x 1
- 3. Right Side Panel x 1
- 6. Bottom Panel x 1
- 7. Door Panel x 1
- A. Handle x 1
- D. 12mm Screw x 4
- E. 14mm Screw x 1
- F. 30mm Screw x 4

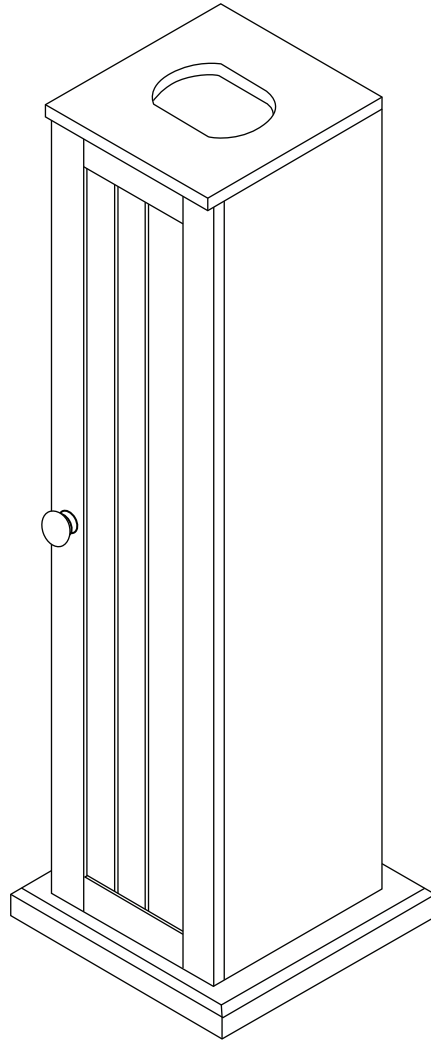


# TOILET ROLL CUPBOARD ASSEMBLY INSTRUCTIONS

## Complete Assembly

Your TOILET ROLL CUPBOARD is now completely assembled.

Periodically check to ensure that the components are in their proper position, free from damage. Also, make sure the connectors are tight and secure.



**Keep instructions for future reference**

