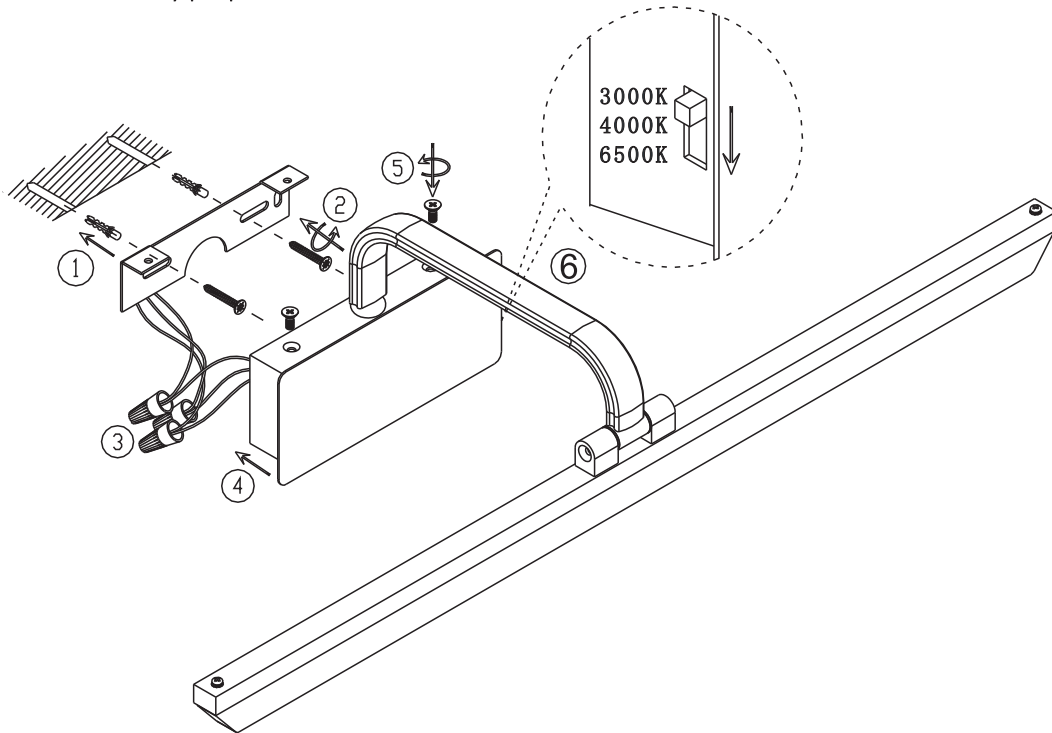


Linear LED Vanity Wall Light

Caution: Please turn off power before installation and read the manual carefully, we advise you contact professional electricians to install for safety purpose.



Product Features

Style: Modern/Contemporary/Mid-Century
Material: Metal
Base Type: LED
Light Source Included: No
Voltage: 110VAC
Wattage: 20W

Package includes

1 x Wall Light
1 x Accessory Pack
1 x User's Manual

Installation Instructions

1. Drill two holes in the wall and insert the expansion anchors.
2. Secure the mounting plate to the wall using self-tapping screws.
3. Connect the live, neutral, and ground wires to the corresponding wires in the wall.
- 4-5. Align the ceiling plate over the mounting plate and tighten the screws to secure it in place.
6. Use the switch to adjust the light's color temperature: 3000K, 4000K, or 6500K.

Note: Please use this product accordingly to its intended purpose, do not retrofit or remodeling the product. The warranty does not cover if the failure is caused by the third party product, or natural disasters.