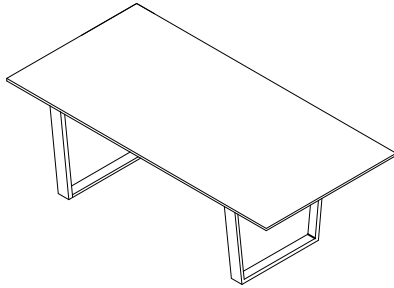


ASSEMBLY INSTRUCTIONS



+ Do Not Use PowerTools



+ Suggested Adults



NOTE:

- 1 Read instructions cover to cover.
- 2 Save all packaging until assembly is completed.

1 IMPORTANT SAFETY INFORMATION

Do not assemble the product if any of the following parts arrived damaged:

Part ① Table top

Part ② Table base

2 IMPORTANT ASSEMBLY INFORMATION

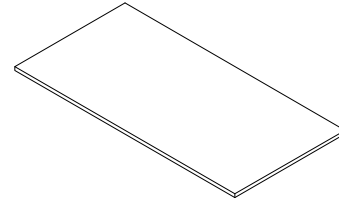
Assembly Step

Use B,C,D to connect ② to ①

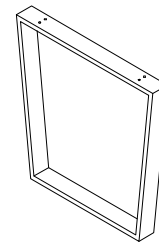
*Warning: Do not over tighten screws, or it could damage the Table Top

+ Parts Included

① Table top 1PC



② Table base 2PCS



+ Hardware Included

A Allen wrench 1PC

M8



B Bolt 8PCS

M8*35MM



C Spring washer 8PCS



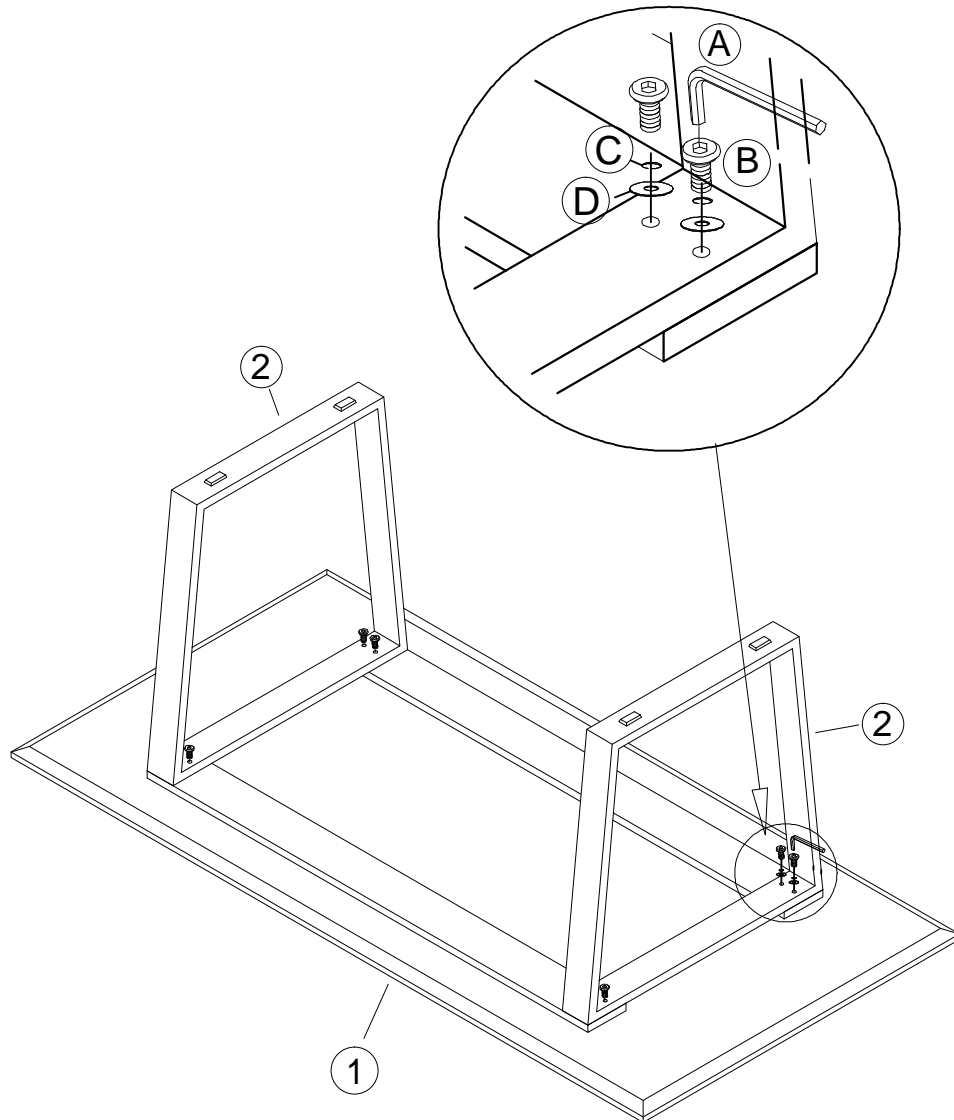
D Flat washer 8PCS

Ø18*Ø8



ASSEMBLY INSTRUCTIONS

1



Note: Do not over tighten screws