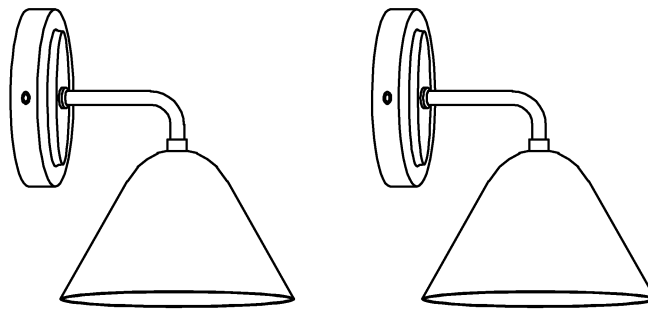


# ASSEMBLY AND INSTALLATION INSTRUCTIONS(B)

## NOTES:

**Battery type has no need to connect the mains**

## 1-LIGHT WALL SCONCE (2 PACK)



---

### TOOLS REQUIRED



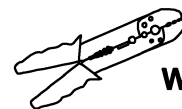
**Flathead  
Screwdriver**



**Phillips  
Screwdriver**



**Ladder**



**Wire Strippers**



**Pliers**



**Electrical  
Tape**



**Wire Cutters**



**Safety Glasses**

### PREPARATION

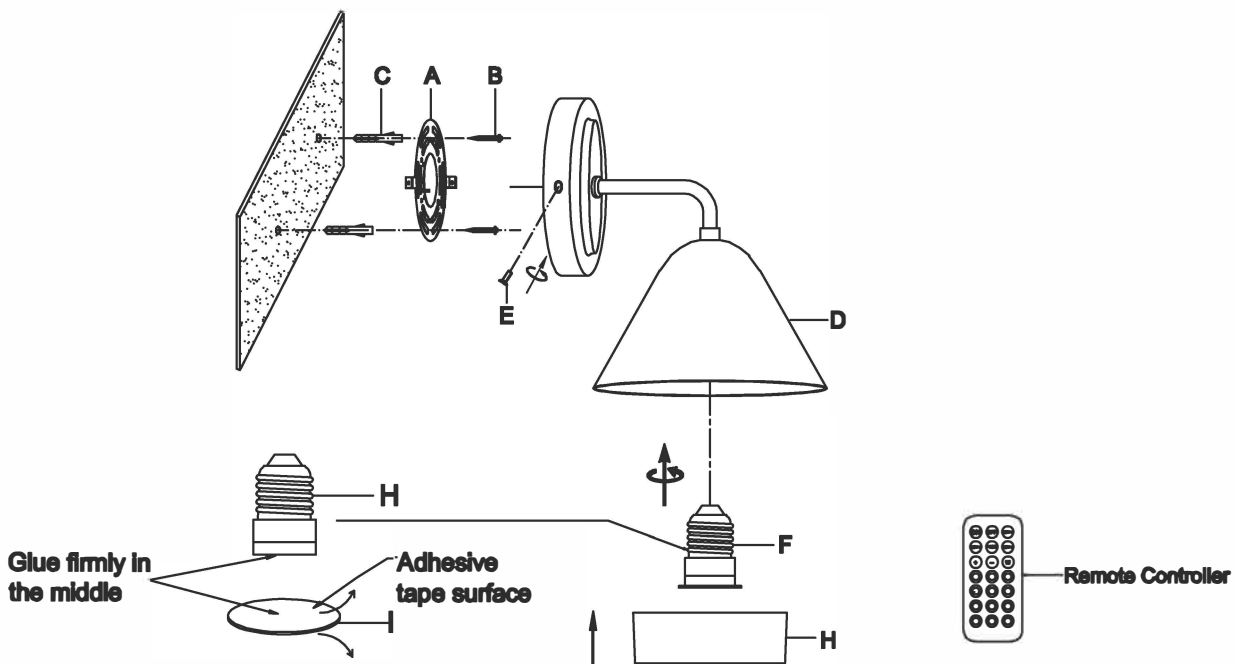
**Before beginning assembly of product, make sure all parts are present. Compare parts with package contents list and hardware contents list. If any part is missing or damaged, do not attempt to assemble the product. When the lamp is not installed finish, please don't throw away the package, so as not to leave the parts in the package.**

## PART LIST AND HARDWARE LIST

PIECE	DESCRIPTION	QUANTITY	PIECE	DESCRIPTION	QUANTITY
A	Mounting bracket	2	E	Mounting screw	4
B	Wood screw	4	F	Lamp holder	2
C	Anchor	4	G	Adhesive metal sheet	2
D	Fixture body	2	H	Light	2

## INSTALLATION

1. You need to Determine the position for the mounting bracket (A) and mark the location holes. Drill a hole at each marked position, and insert an anchor (C) into each hole and secure it with wood screw (B).
  2. Attach the fixture body (D) to the mounting plate(A) with mounting screw (E).
  3. Remove the film from both sides of the adhesive metal sheet(I), glue the adhesive side to the lamp holder (H).
  4. Install the lamp holder(H)into socket (NOTE:Be care of the adhesive metal sheet,and be sure to wear gloves),then attach the light (I) to the lamp holder.
- Note: The light source and the remote control have switches, rechargeable light source of the specific use of the light source see the light source instructions.



If you have any questions, please contact us, our warmest customer service will assist you within 24 hours.