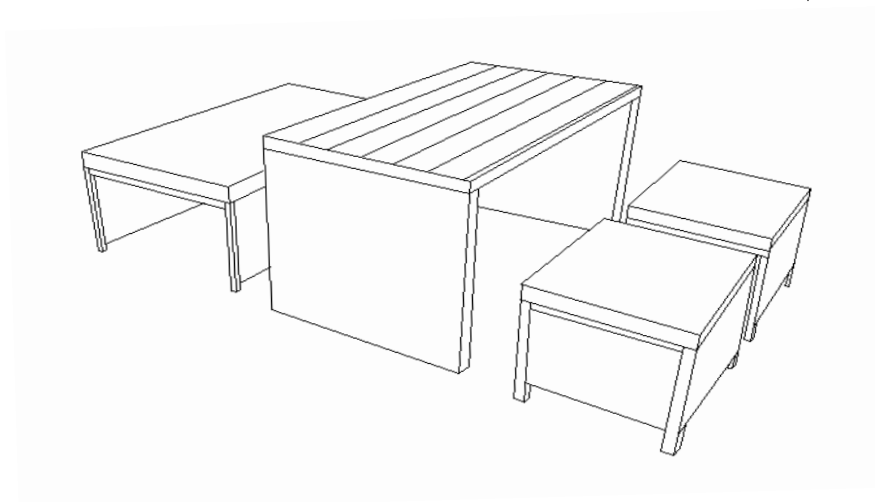
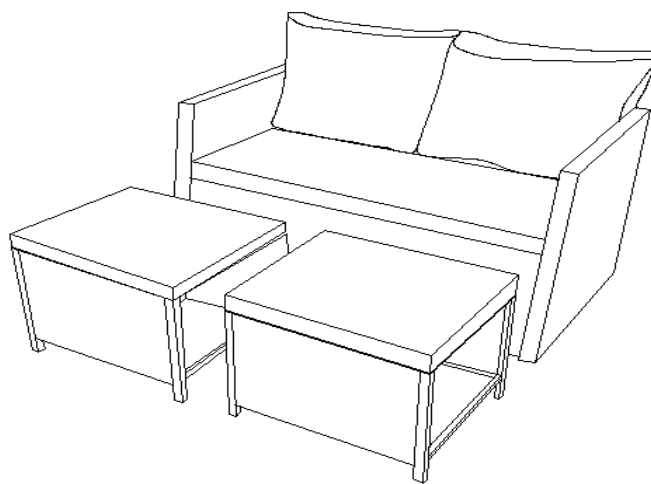


2 IN 1 RELAX SET

Instruction manual









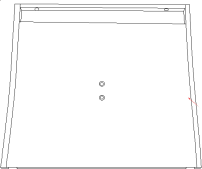

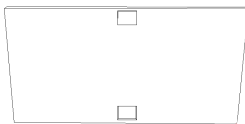


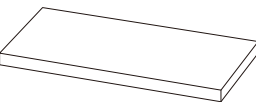
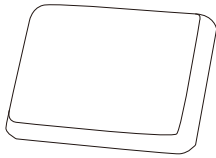
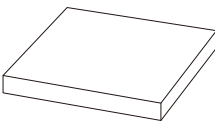




SAFETY AND CARE ADVICE

PLEASE READ THESE INSTRUCTIONS CAREFULLY AND KEEP FOR FUTURE

- Check you have all the components and tools listed on pages 1.
- Remove all fittings from the plastic bags and separate them into their groups.
- Keep children and animals away from the work area, small parts could choke if swallowed.
- Make sure you have enough space to layout the parts before starting.
- Do not stand or put weight on the product, this could cause damage.
- Assemble on a soft level surface to avoid damaging the unit or your floor (use opened out unit carton).
- We do not recommend the use of power drill/drivers for inserting screws, as this could damage the unit. Only use hand screwdrivers.






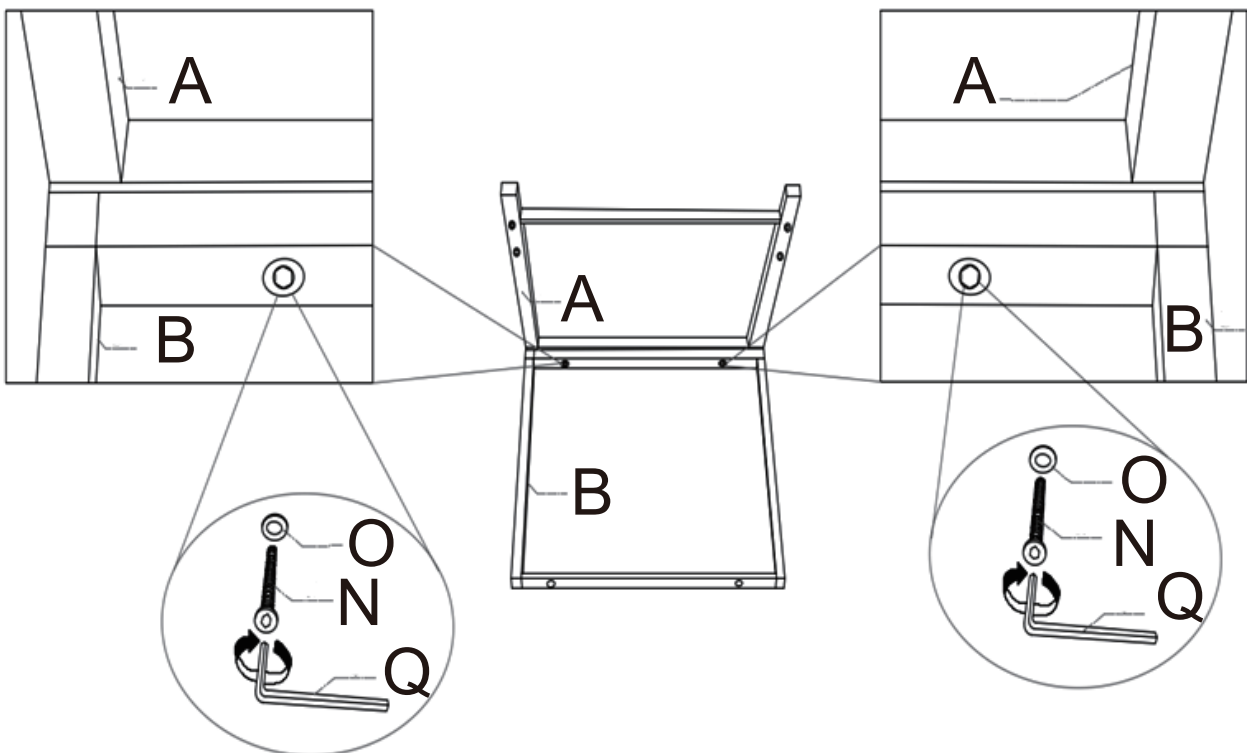
COMPONENTS

A  x2	B  x1	C  x2	D  x1
E  x2	F  x1	G  x1	H  x2
I  x1	J  x1	K  x2	L  x2
M  M6x15 x10	N  M6x30 x19	O  x29	P  x1

ASSEMBLY INSTRUCTIONS




step1

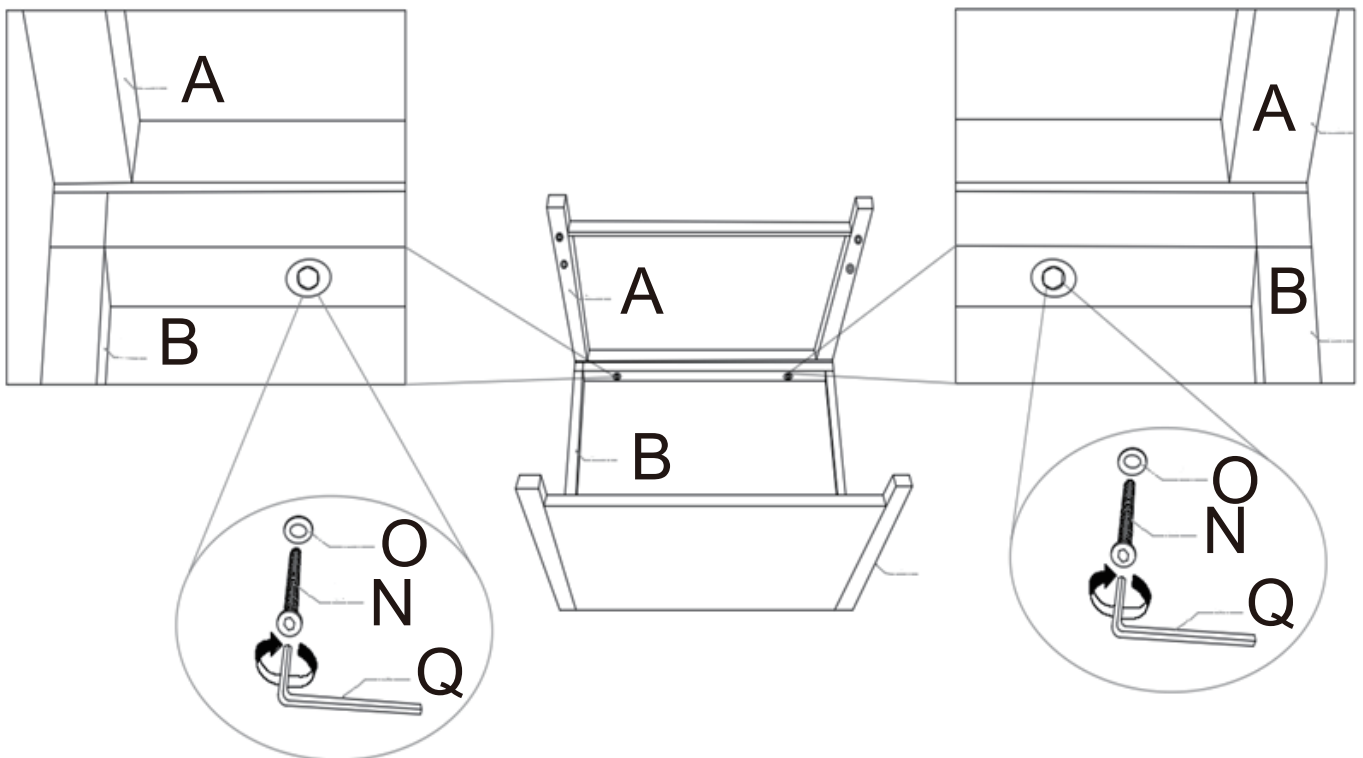
N		2
O		2
Q		1



ASSEMBLY INSTRUCTIONS




step2

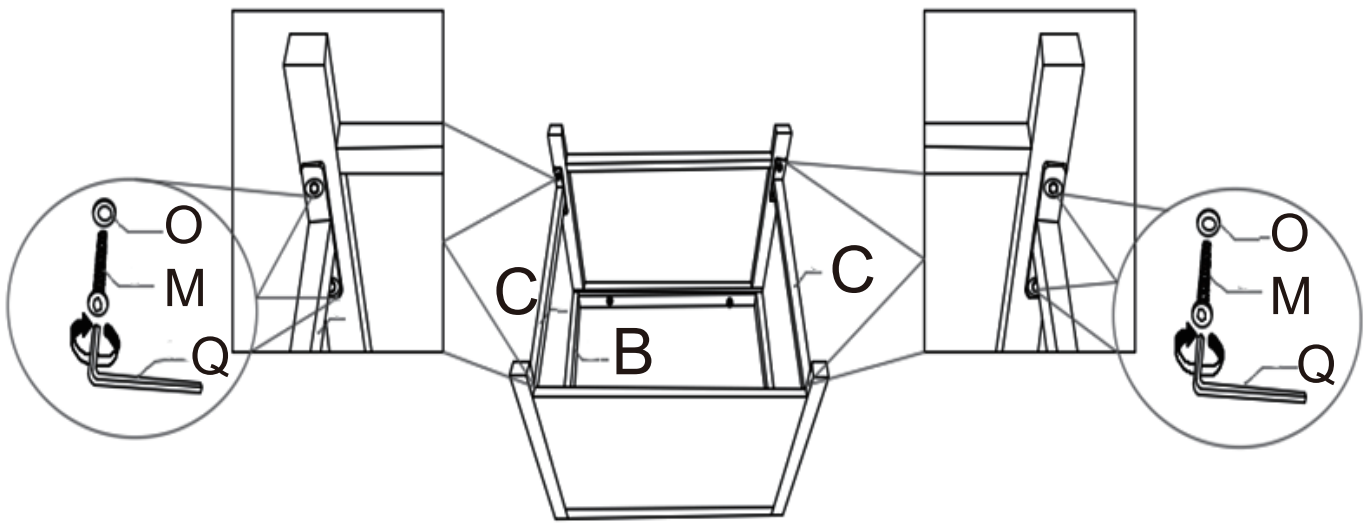
N		2
O		2
Q		1



ASSEMBLY INSTRUCTIONS

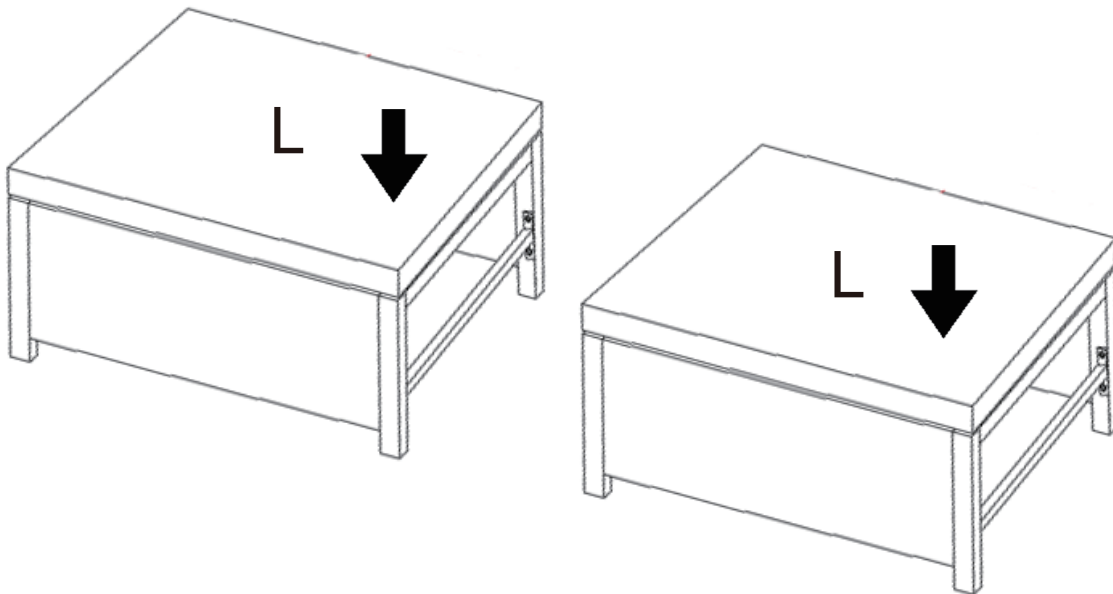
step3

M		8
O		8
Q		1






Repeat Step1 to Step3

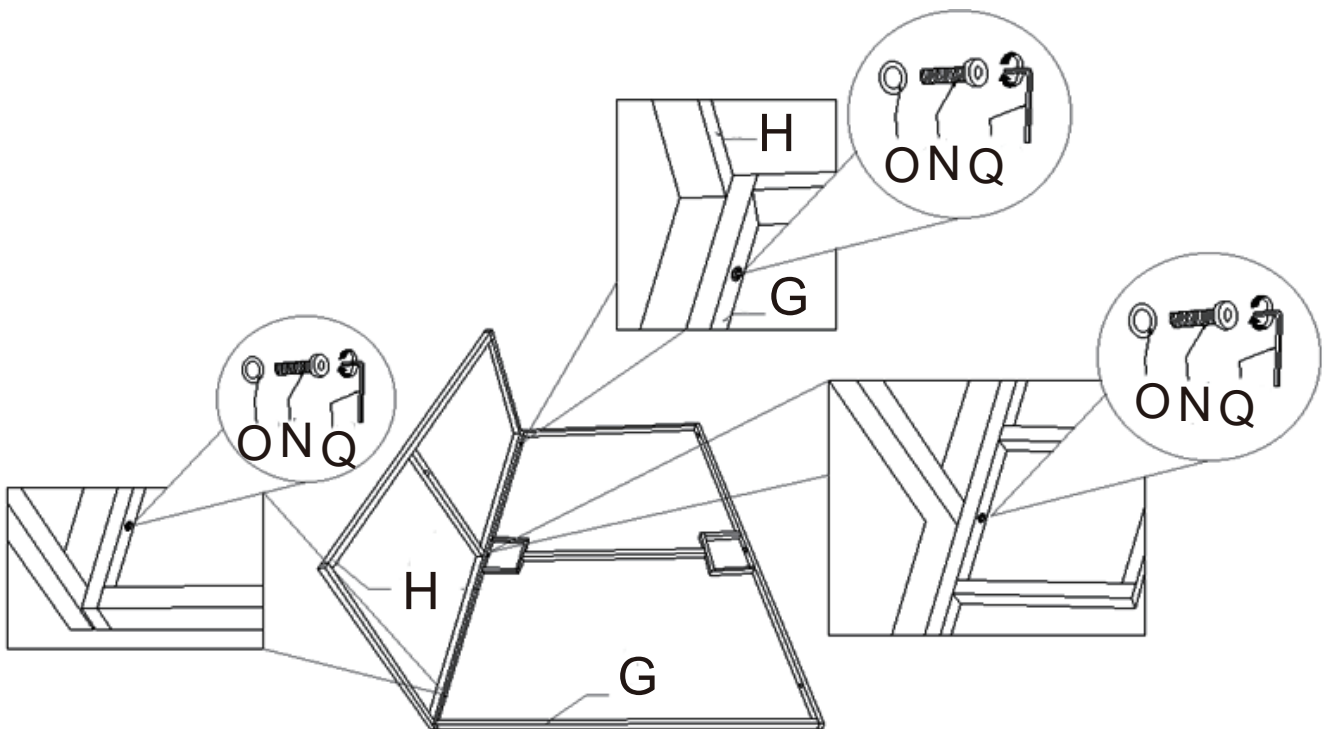
step4



ASSEMBLY INSTRUCTIONS




step5

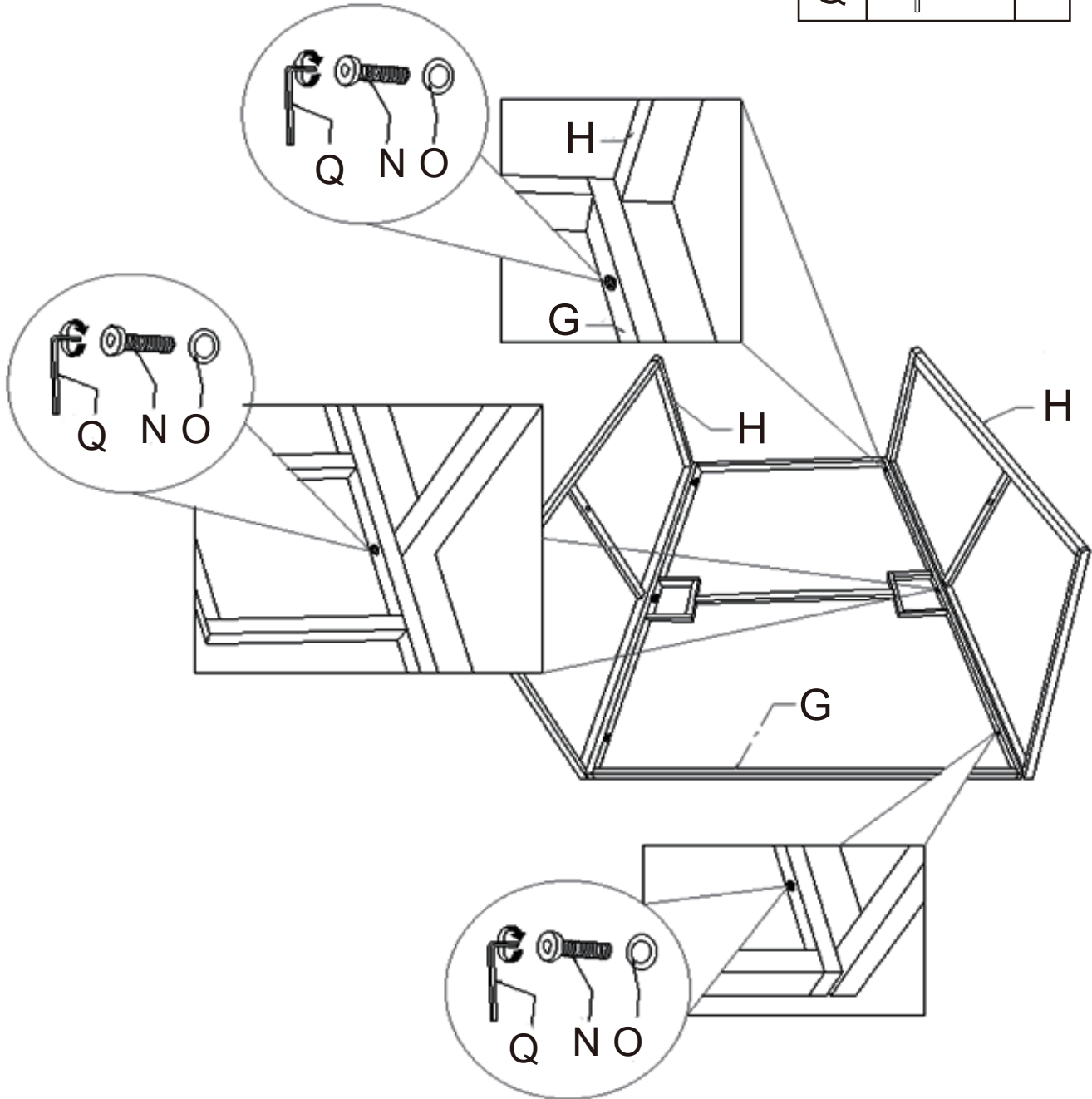
N		3
O		3
Q		1



ASSEMBLY INSTRUCTIONS





step6

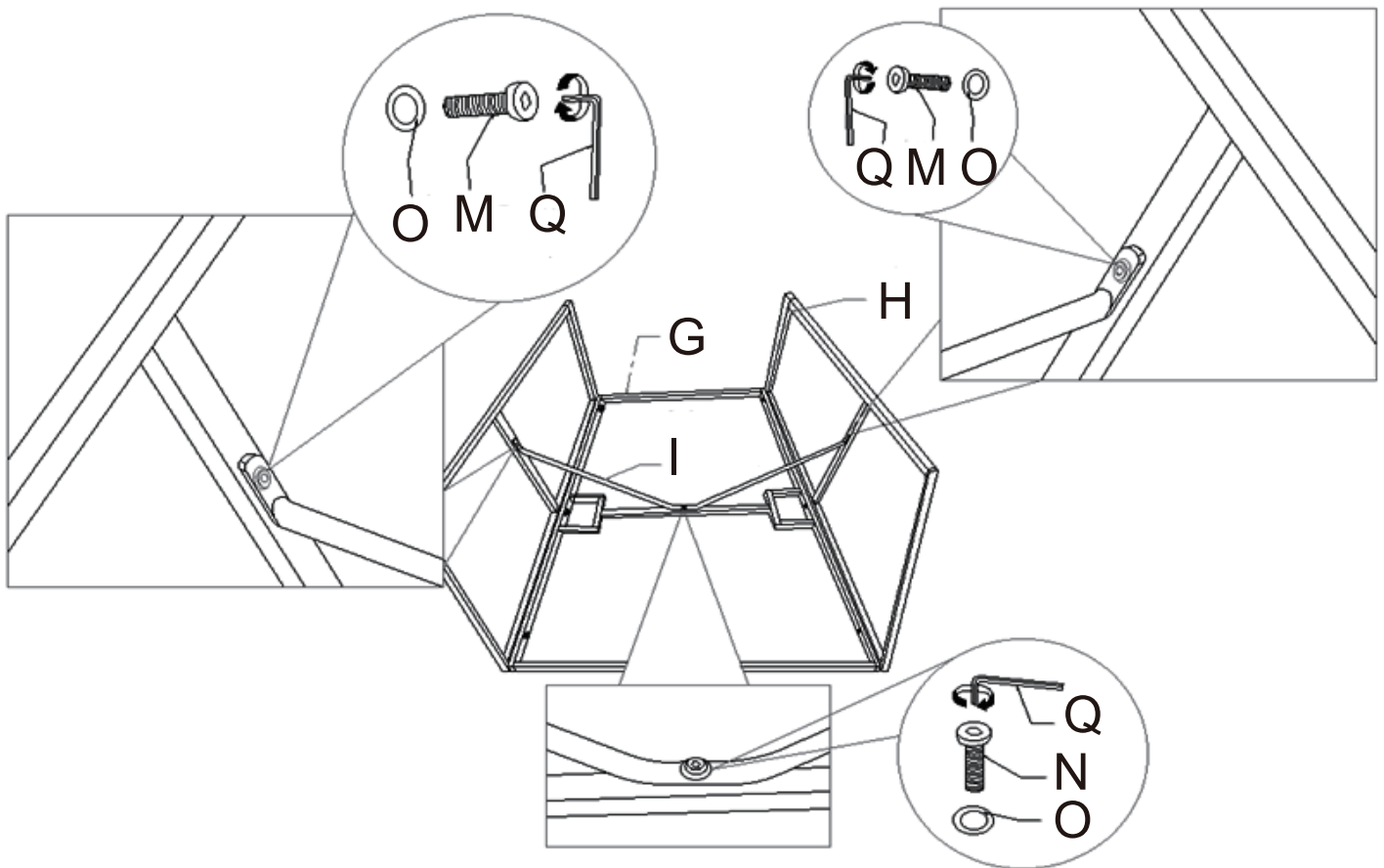
N		3
O		3
Q		1



ASSEMBLY INSTRUCTIONS

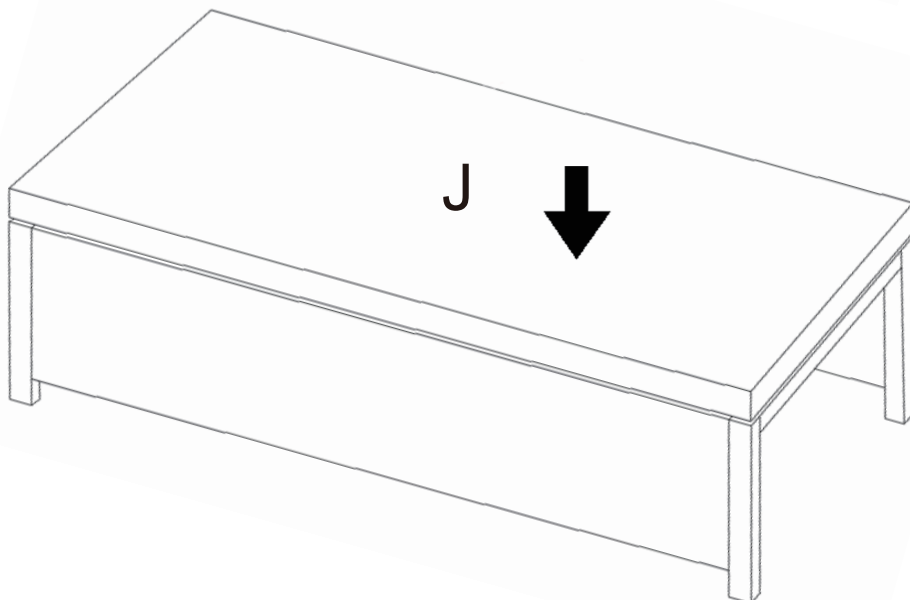
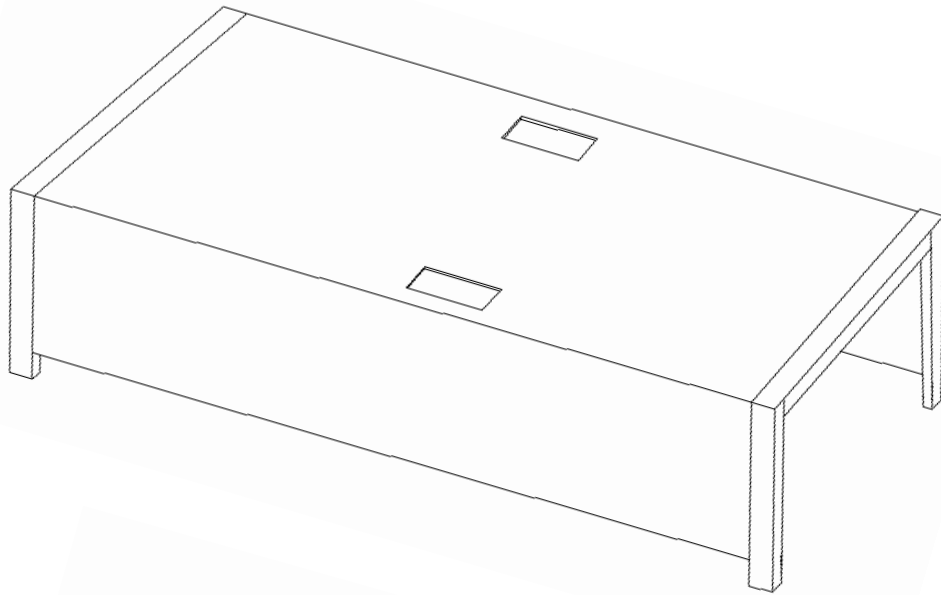
step7

N		1
M		2
O		3
Q		1



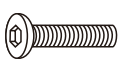


ASSEMBLY INSTRUCTIONS

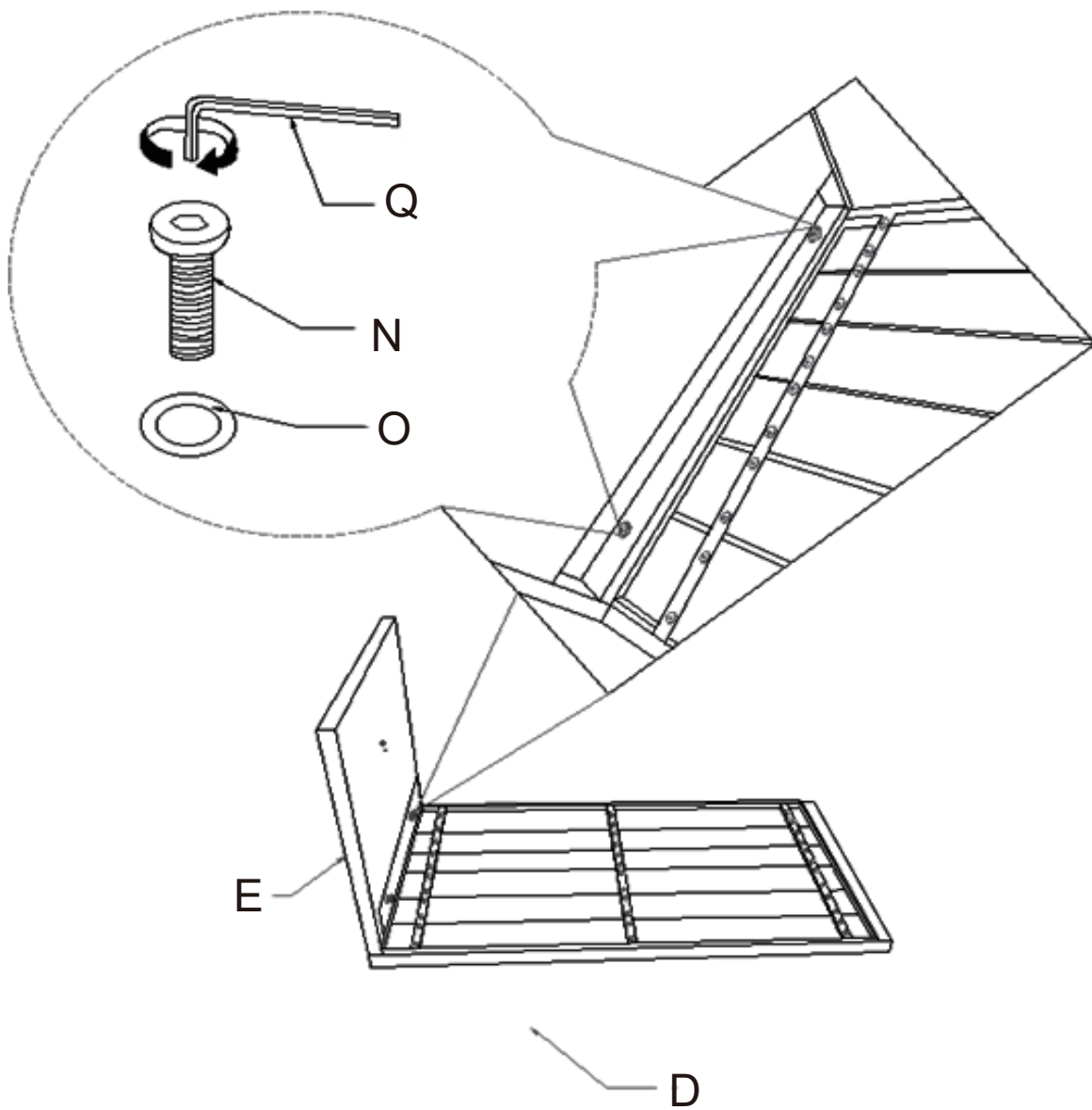
step8



ASSEMBLY INSTRUCTIONS




step9

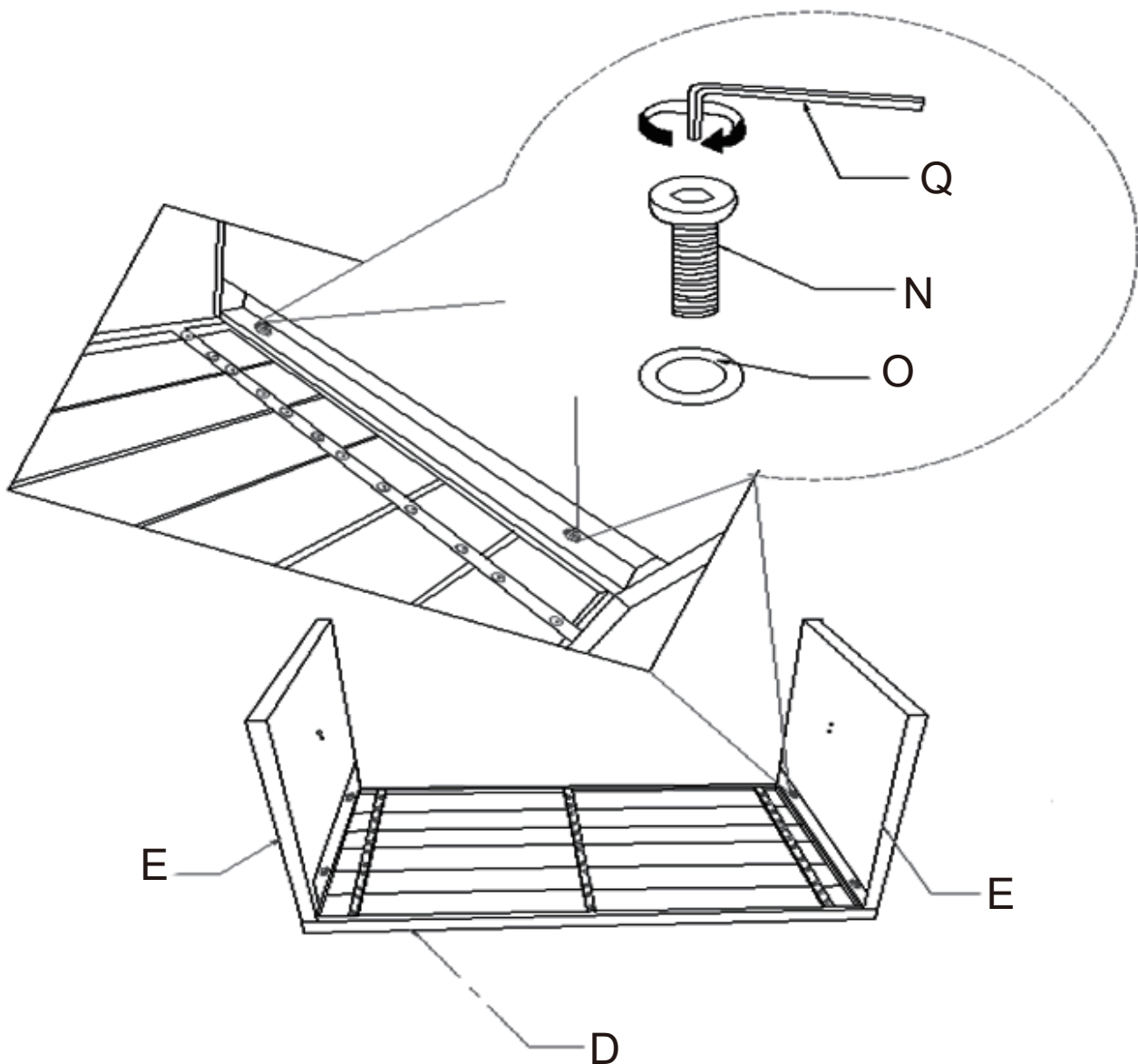
N		2
O		2
Q		1



ASSEMBLY INSTRUCTIONS




step10

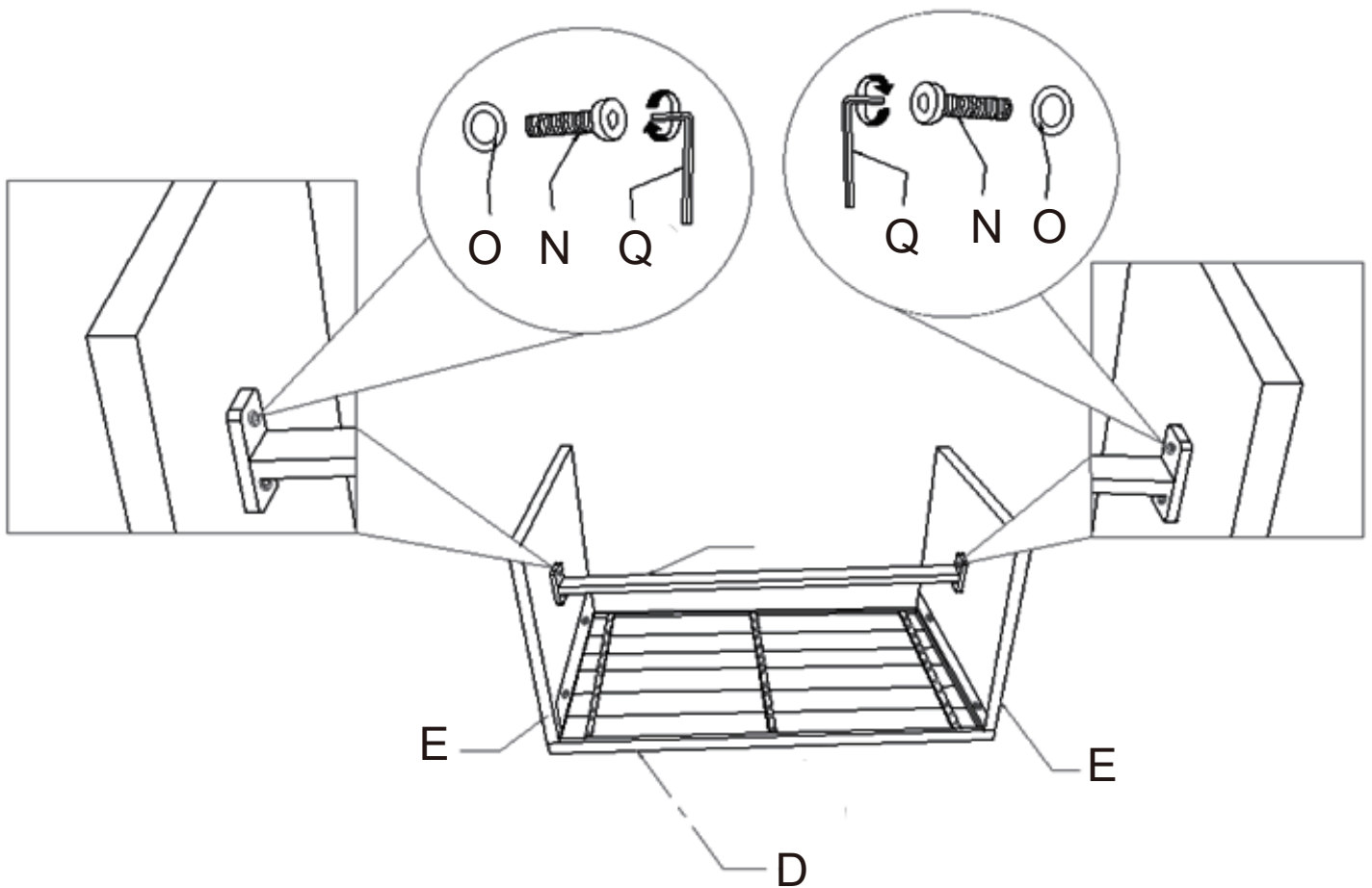
N		2
O		2
Q		1



ASSEMBLY INSTRUCTIONS

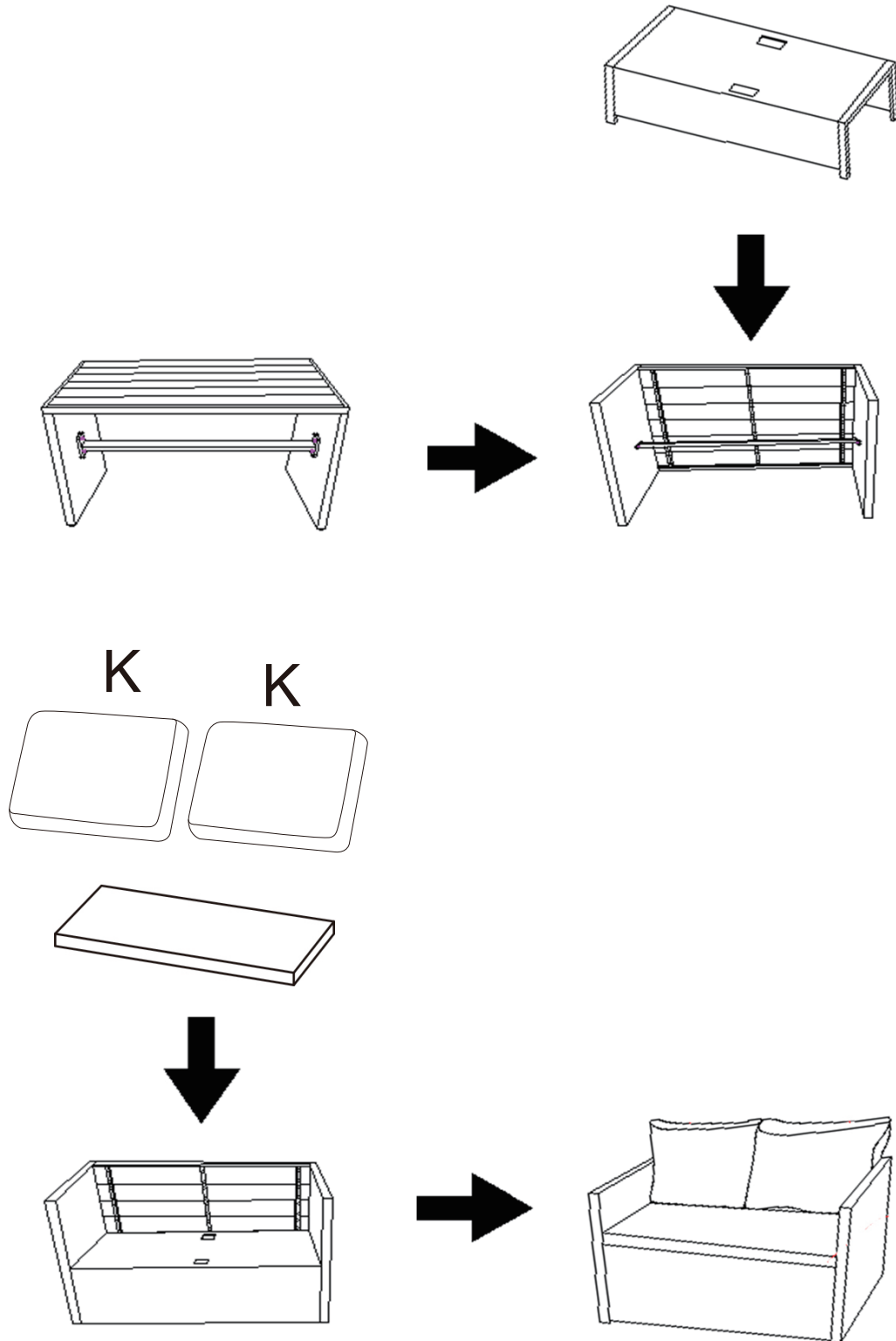
step11

N		4
O		4
Q		1

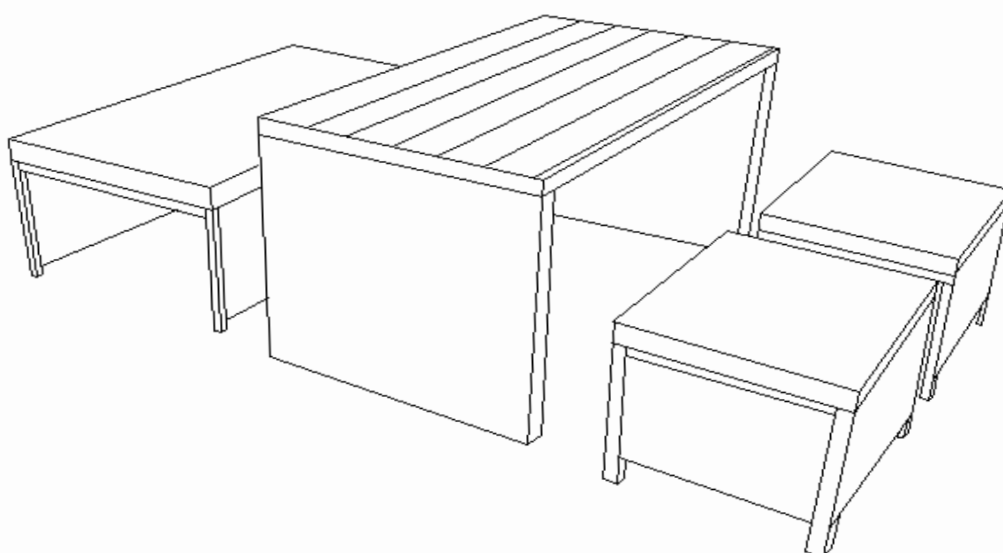
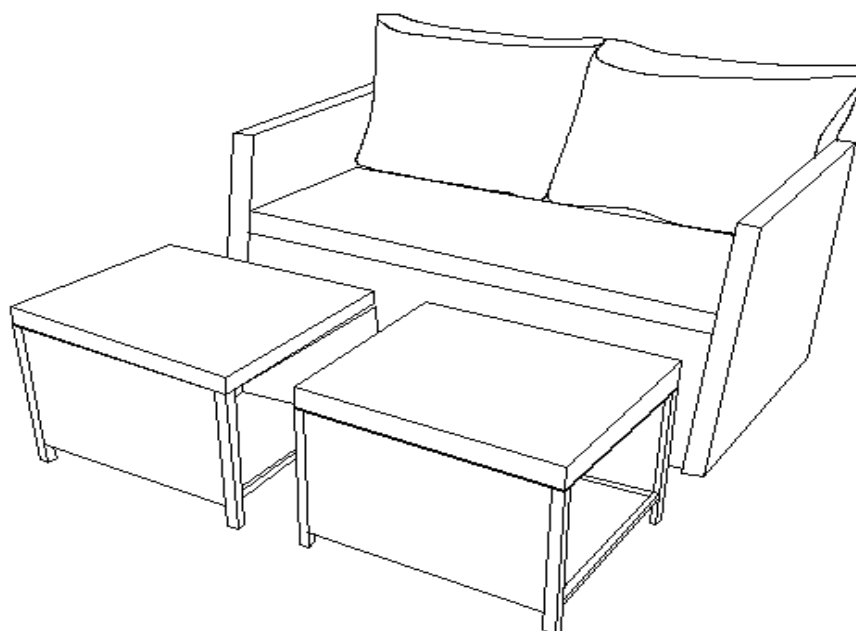


ASSEMBLY INSTRUCTIONS

step12



ASSEMBLY INSTRUCTIONS



*Congratulations!
Now you have finished assembling the product.*