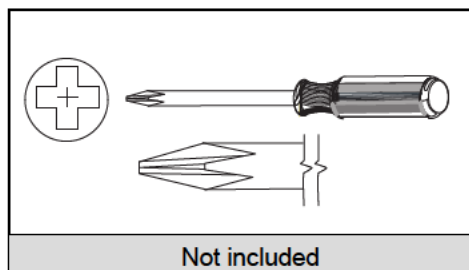
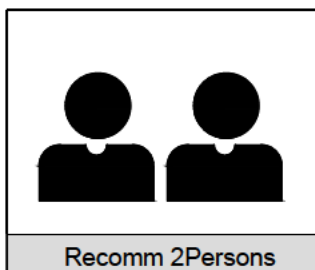
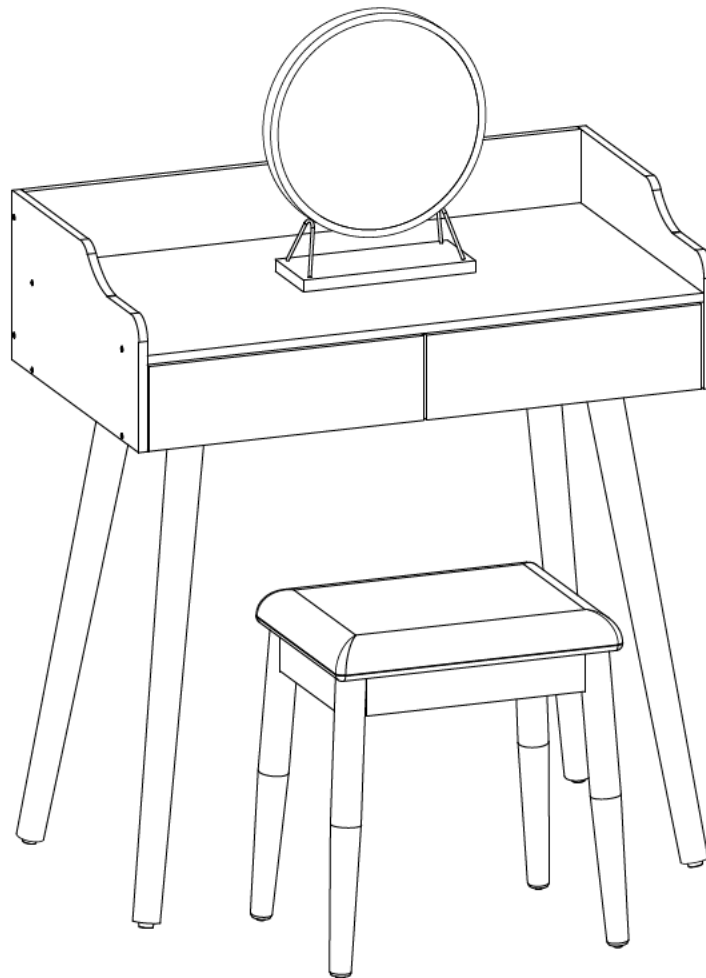
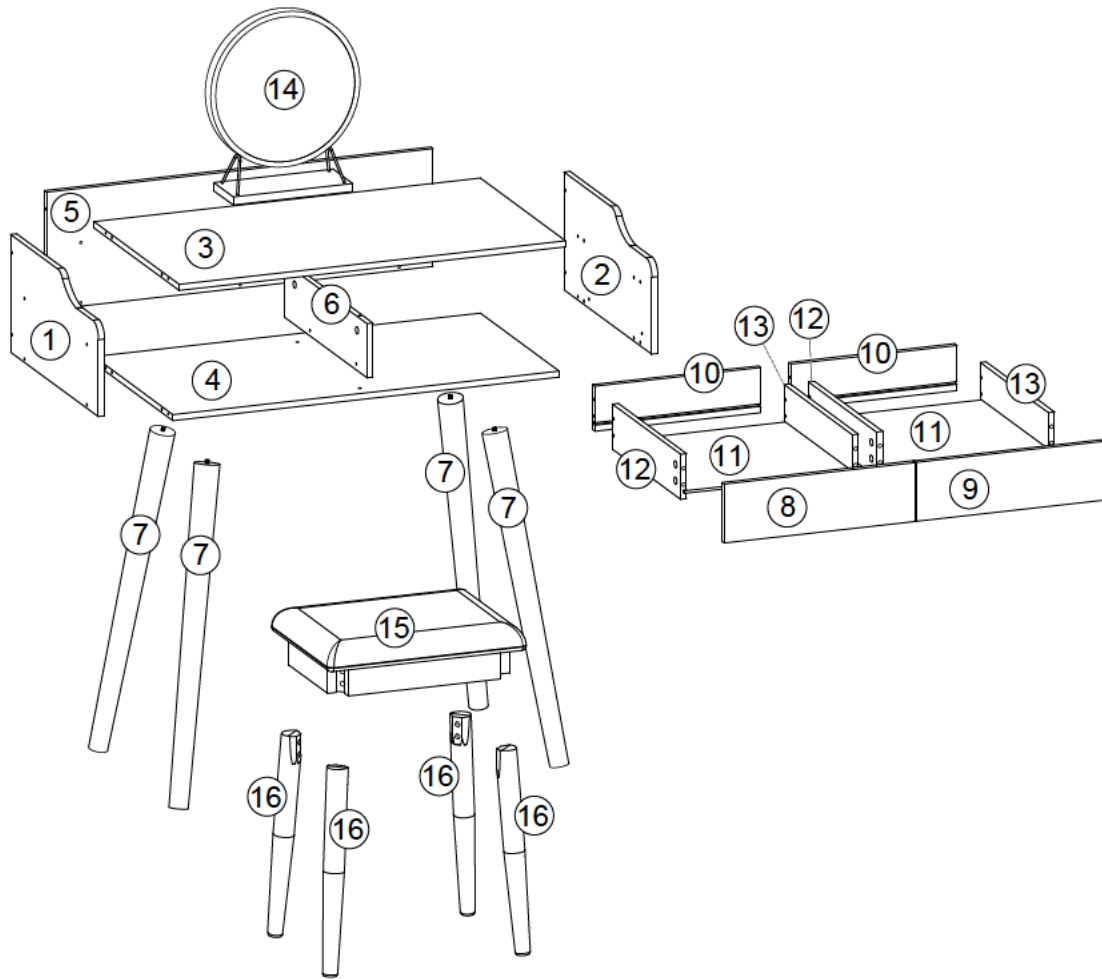

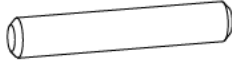




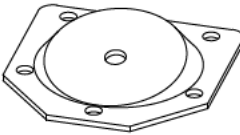
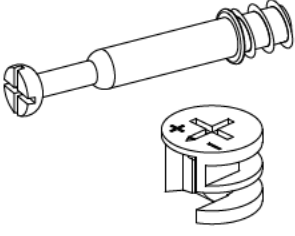
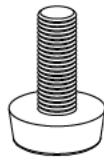


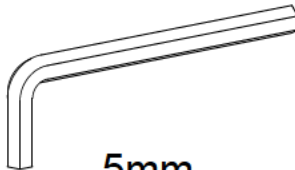


## ASSEMBLY INSTRUCTION FOR

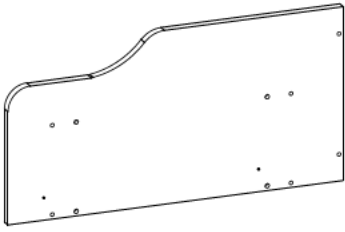


**GAUTION:**When tightening the screws,tighten sequentially.  
Do not tighten any screws fully and then towards the next one.  
When every part is OK,then tighten all the screws.

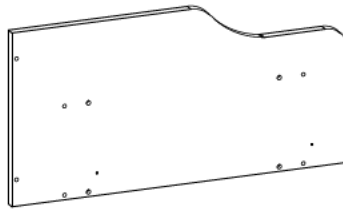


<p>A x 8+1</p>  <p>M8x50</p>	<p>B x 8+1</p>  <p>Ø6x35</p>	<p>C x 20+1</p>  <p>3.5*12</p>	<p>D x 20+1</p>  <p>3.5*12</p>
<p>E x 28+2</p>  <p>Ø5x40</p>	<p>F x 2</p>  <p>350mm</p>	<p>G x 4</p> 	<p>H x 10+1</p> 
<p>I x 4</p> 	<p>J x 8+1</p> 	<p>K x 1</p>  <p>3mm</p>	<p>L x 1</p>  <p>5mm</p>

① x1



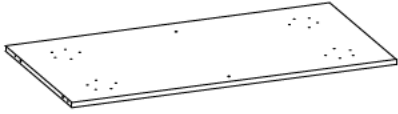
② x1



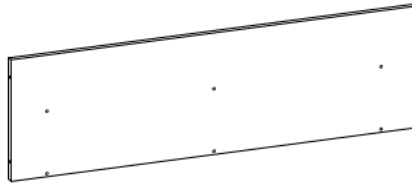
③ x1



④ x1



⑤ x1



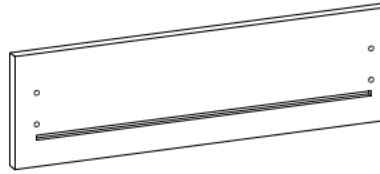
⑥ x1



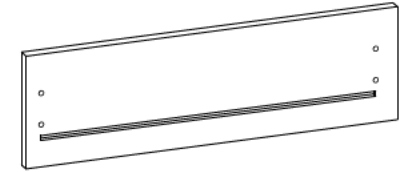
⑦ x4



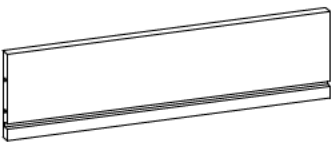
⑧ x1



⑨ x1



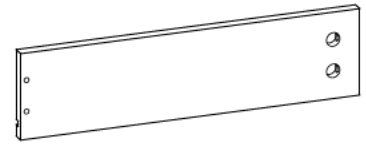
⑩ x2



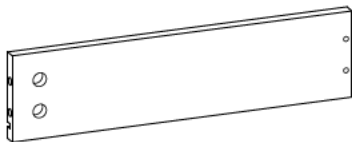
⑪ x2



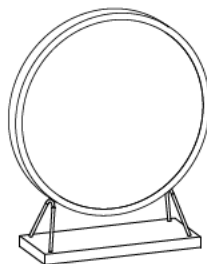
⑫ x2



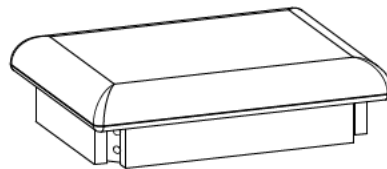
⑬ x2



⑭ x1



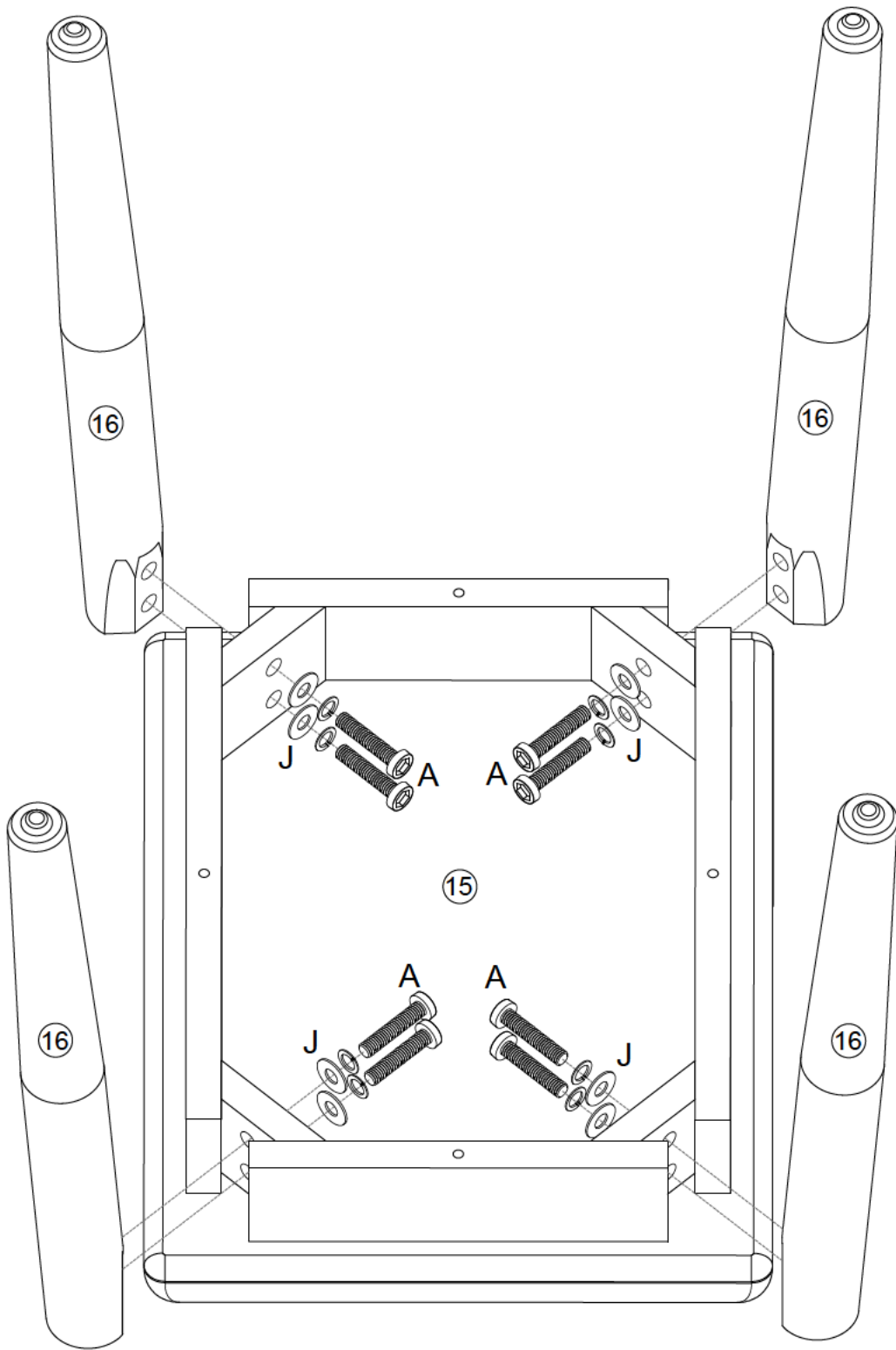
⑮ x1

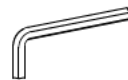




⑯ x4



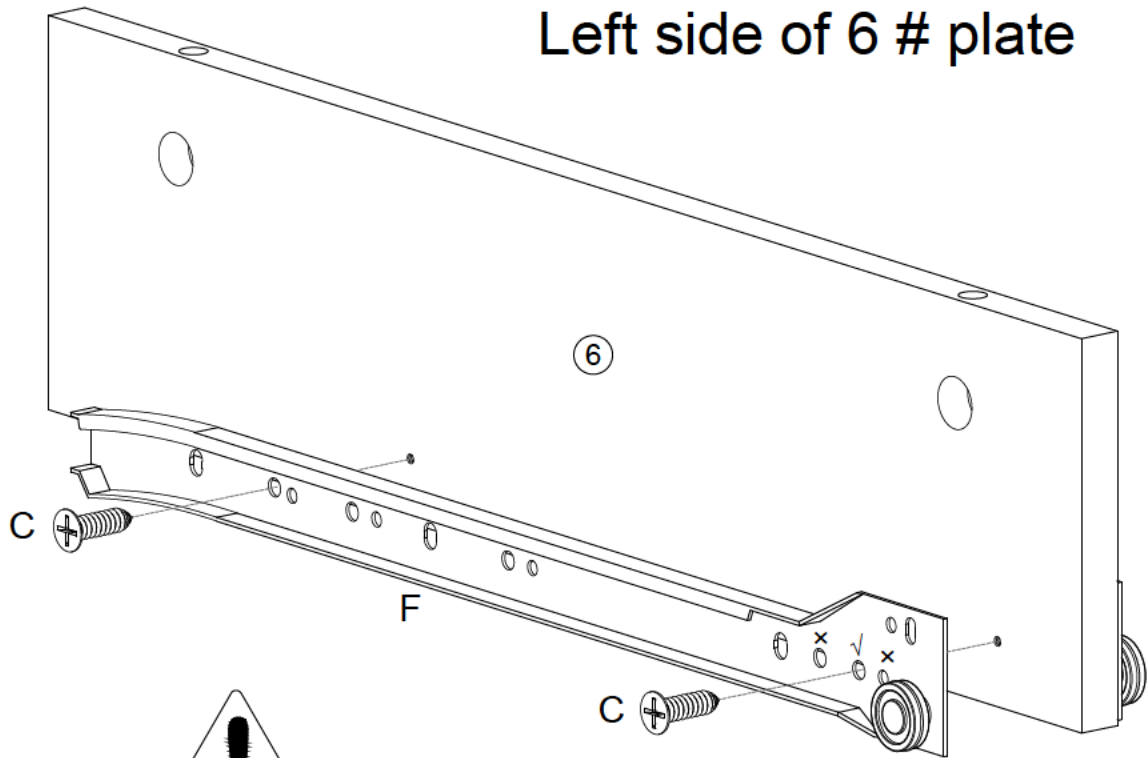
# STEP 1



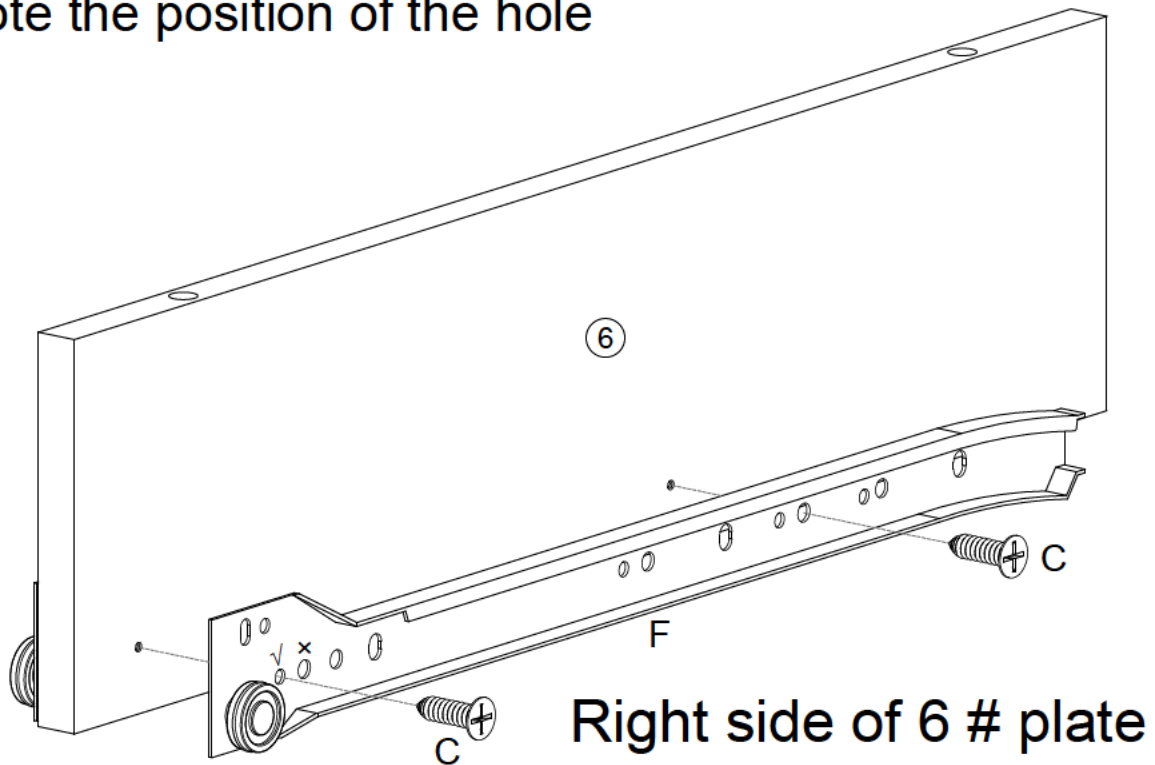
L		5mm
J		x8
A		x8

STEP 2

Left side of 6 # plate



Note the position of the hole

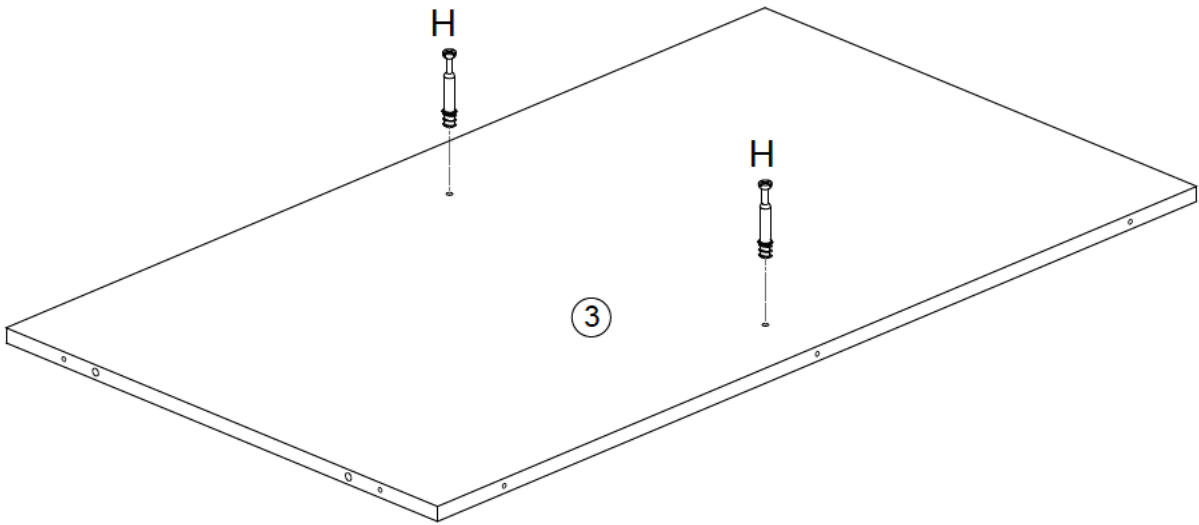



Right side of 6 # plate

C  x4

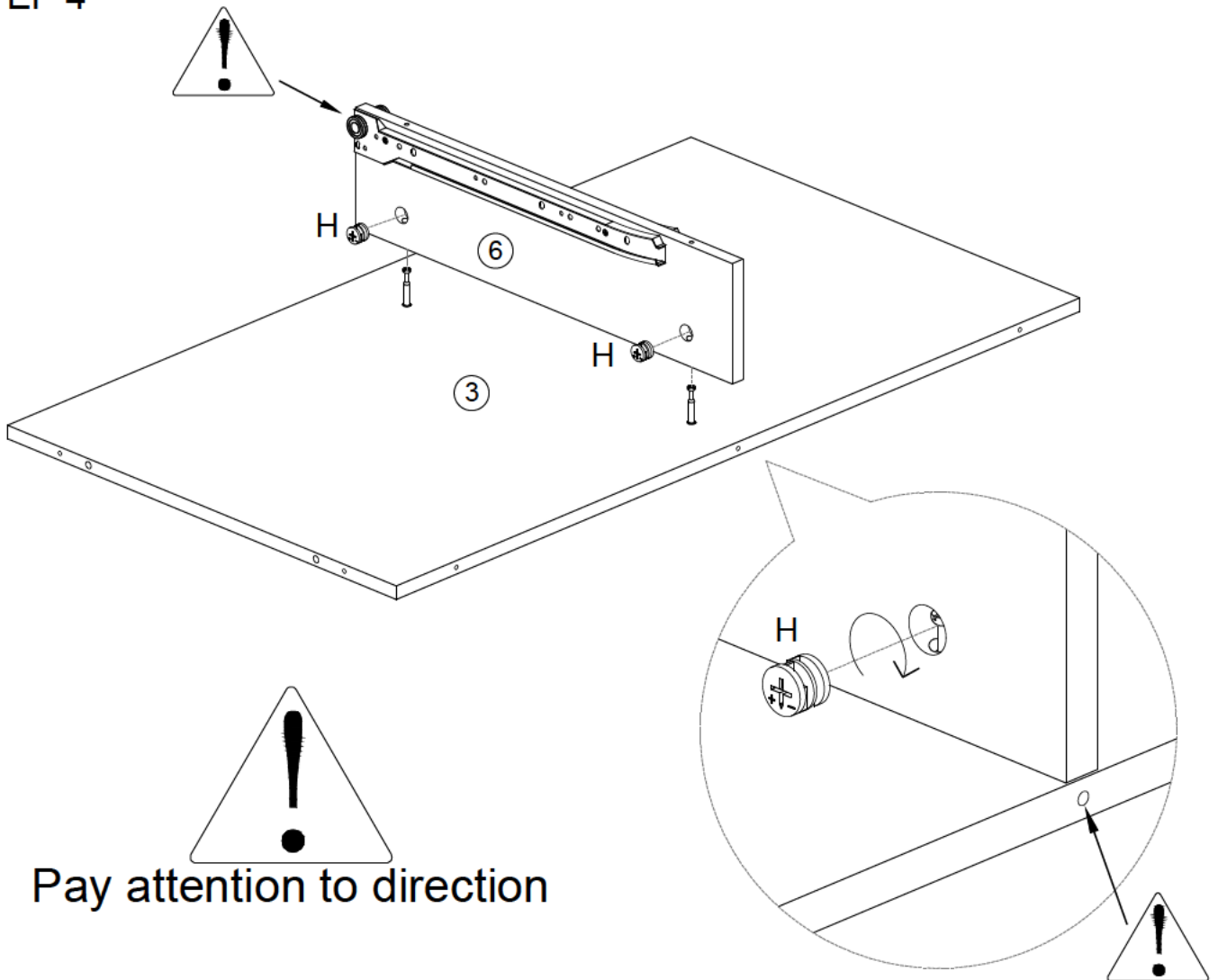
F  x1


### STEP 3



H  x2

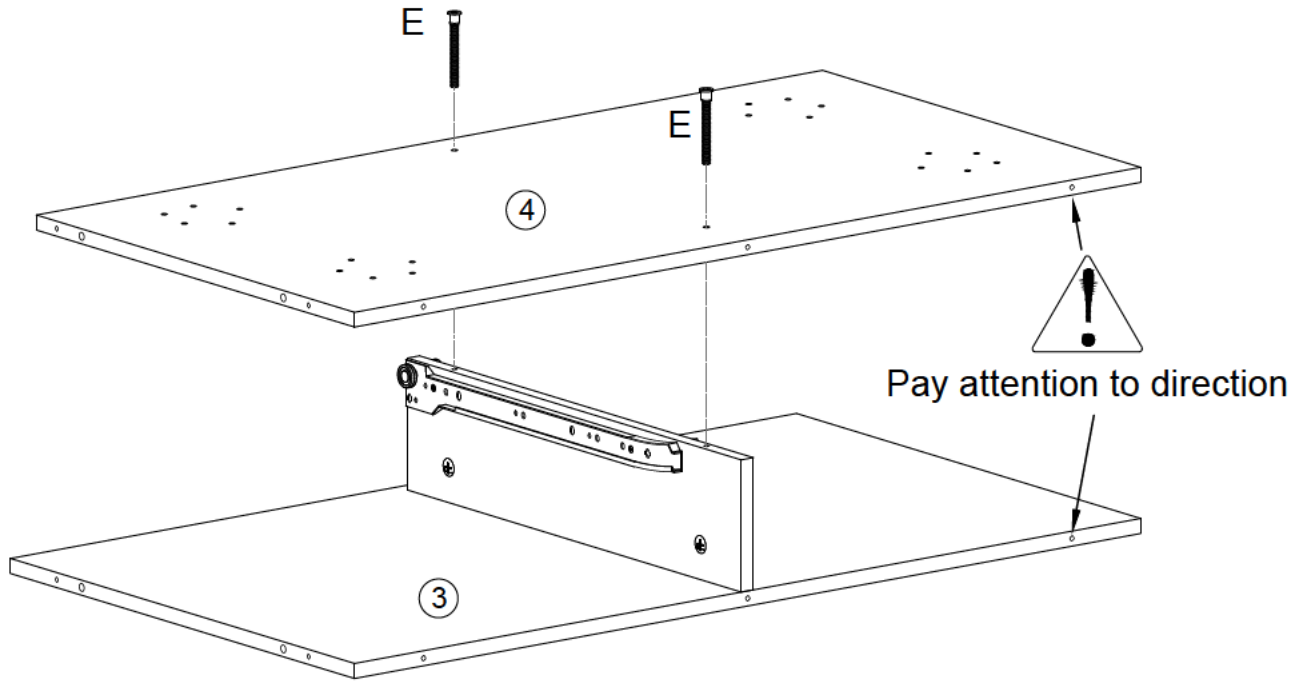
### STEP 4





  
Pay attention to direction

H  x2

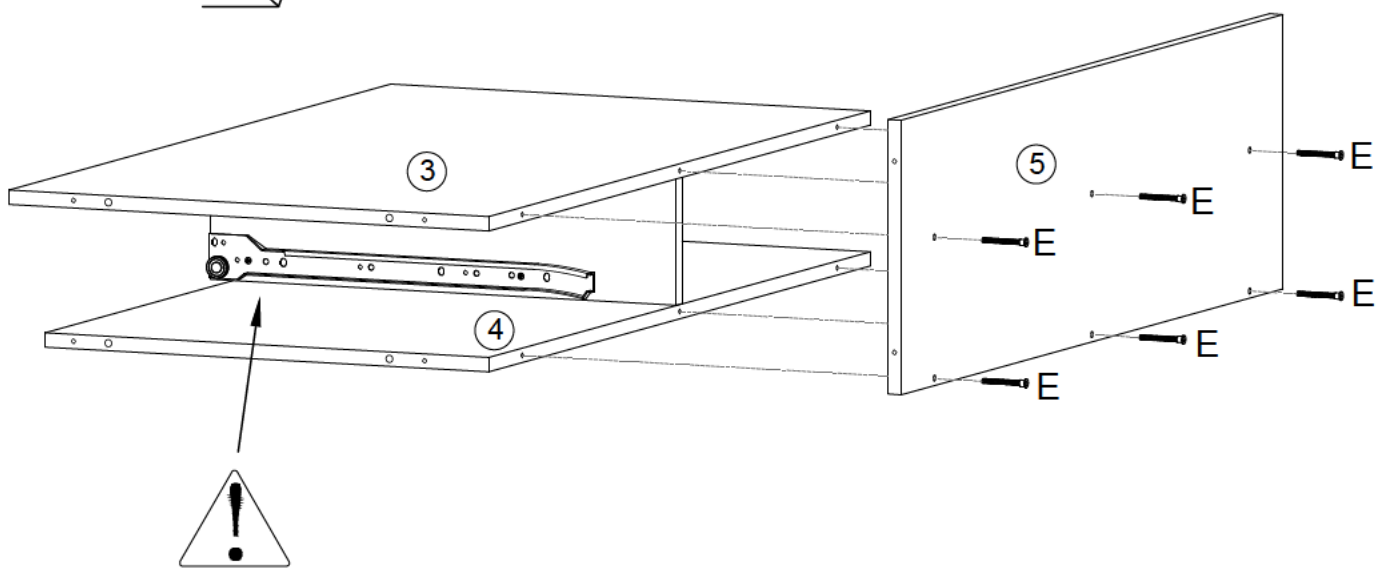
# STEP 5





180°

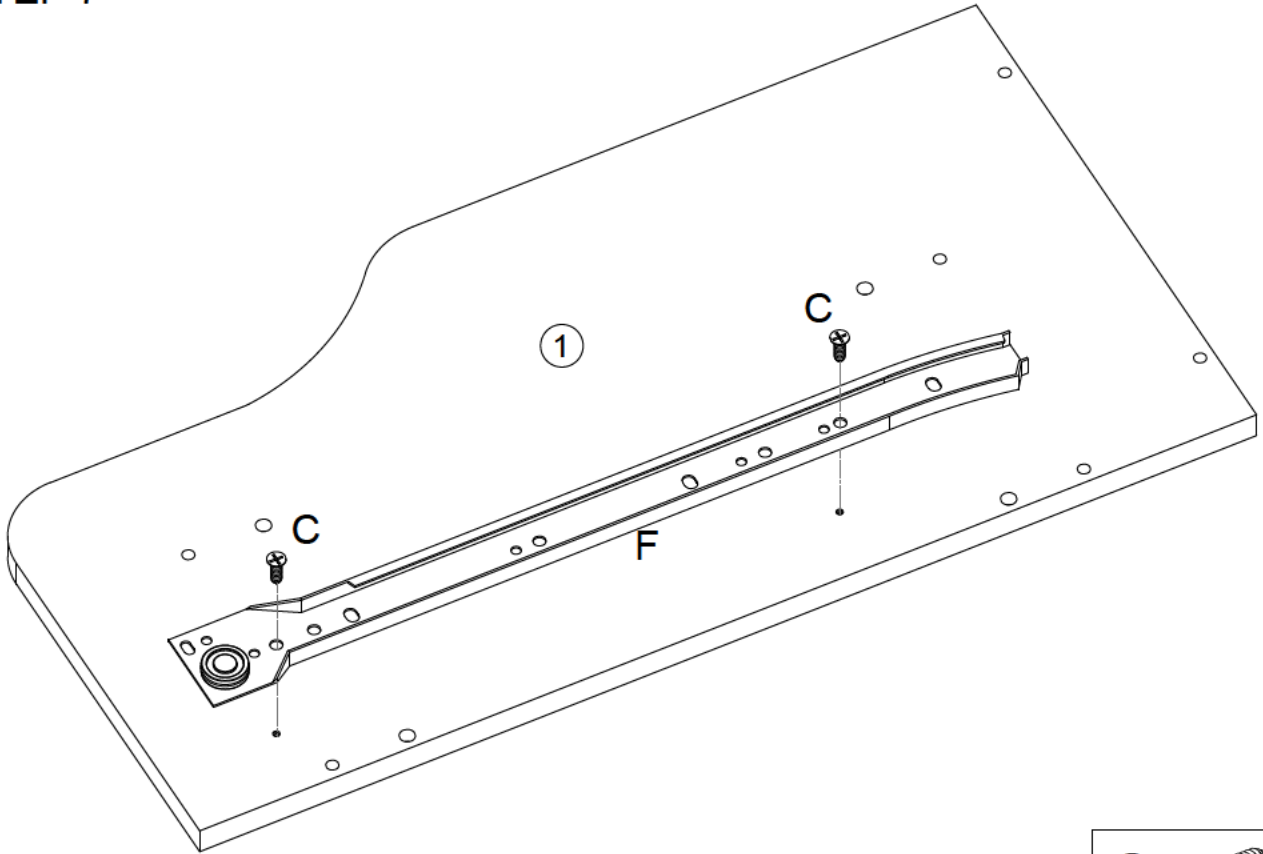
K		3mm
E		x2



# STEP 6



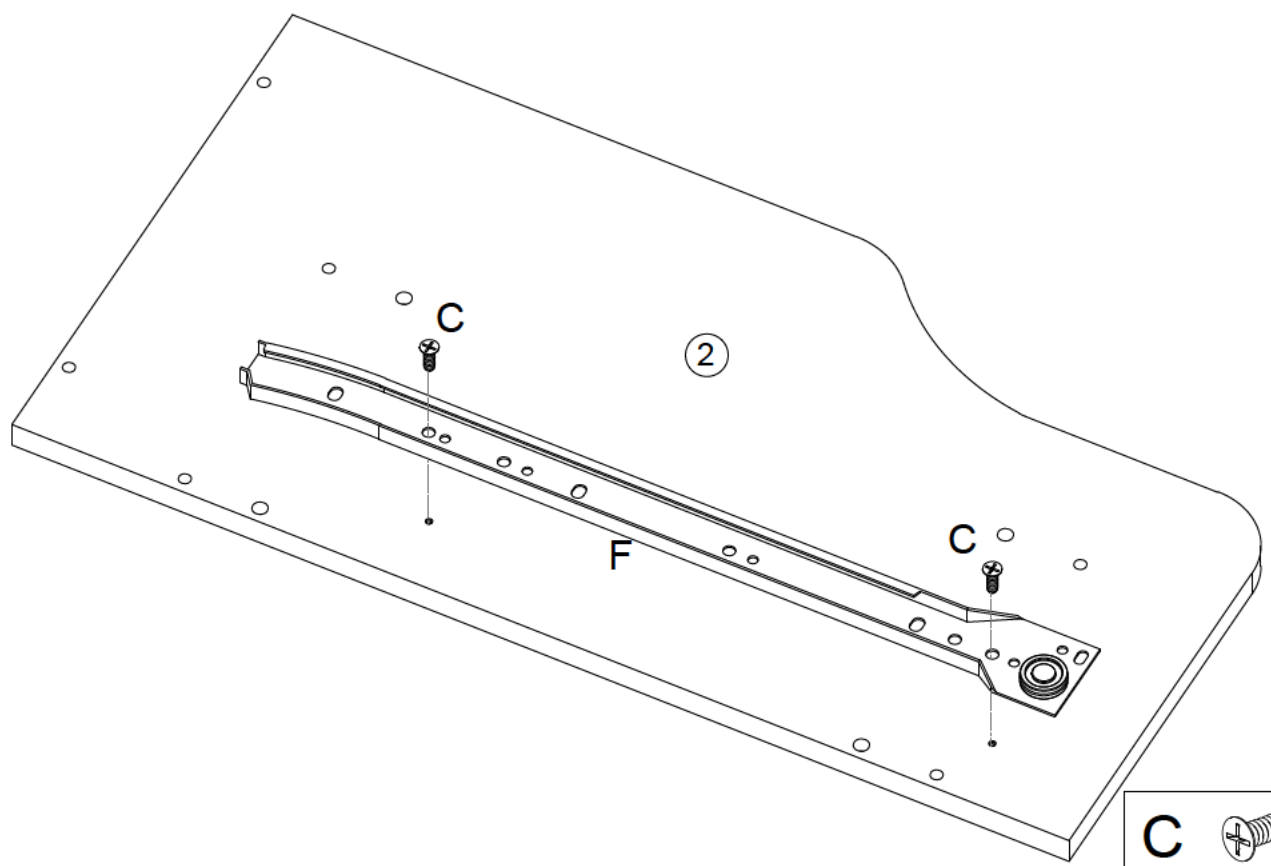
K		3mm
E		x6



# STEP 7



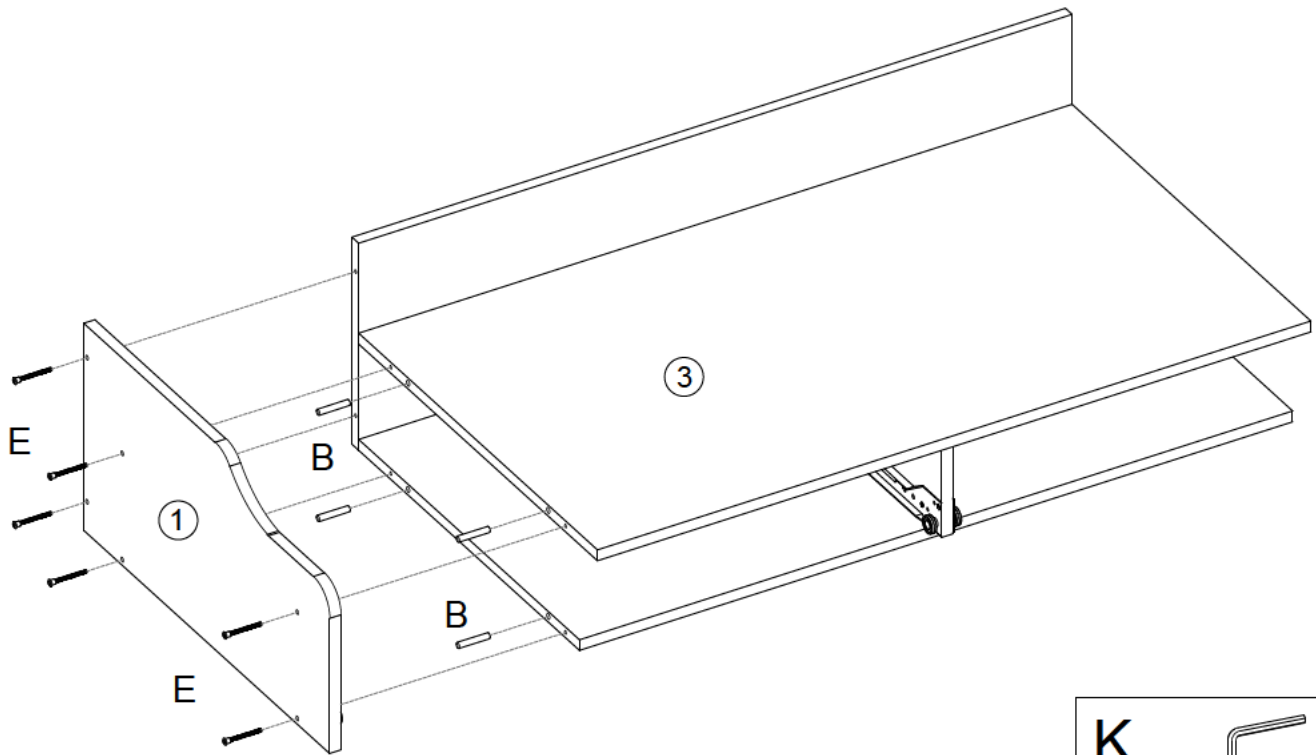
- |   |   |    |
|---|---|----|
| C |   | x2 |
| F |  | x1 |



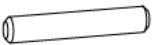
# STEP 8



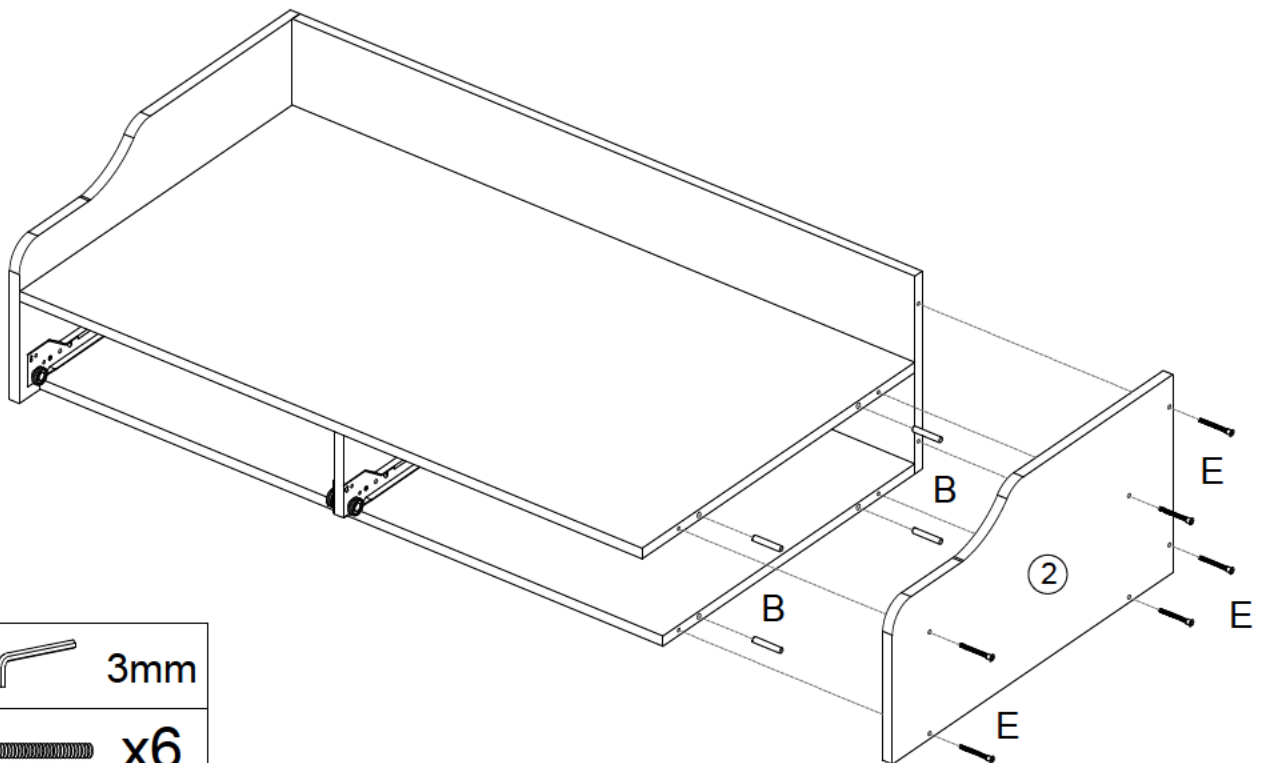
- |   |   |    |
|---|---|----|
| C |  | x2 |
| F |  | x1 |



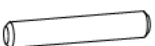
# STEP 9



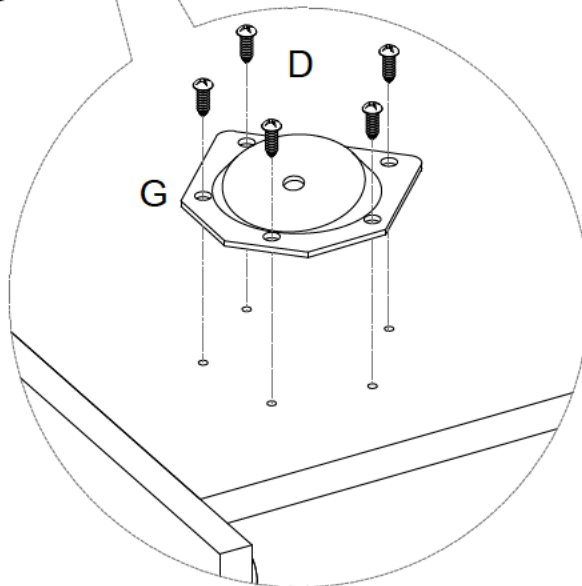
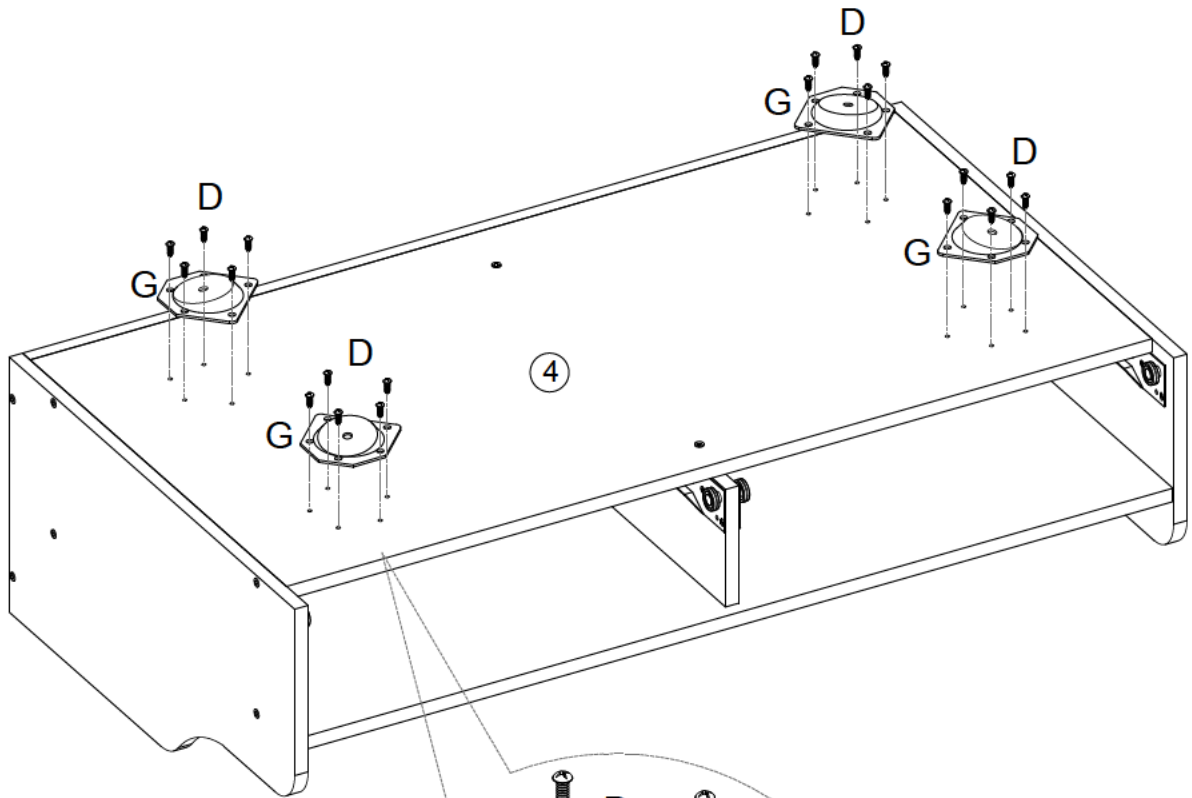
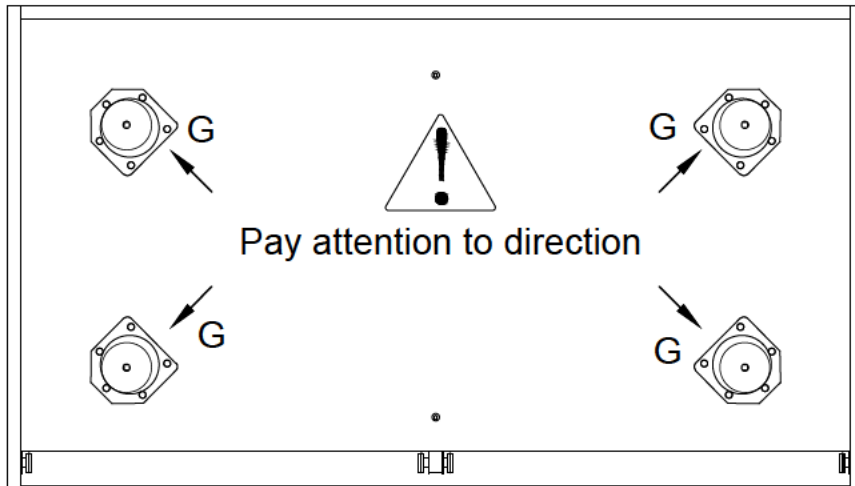
K		3mm
E		x6
B		x4

# STEP 10



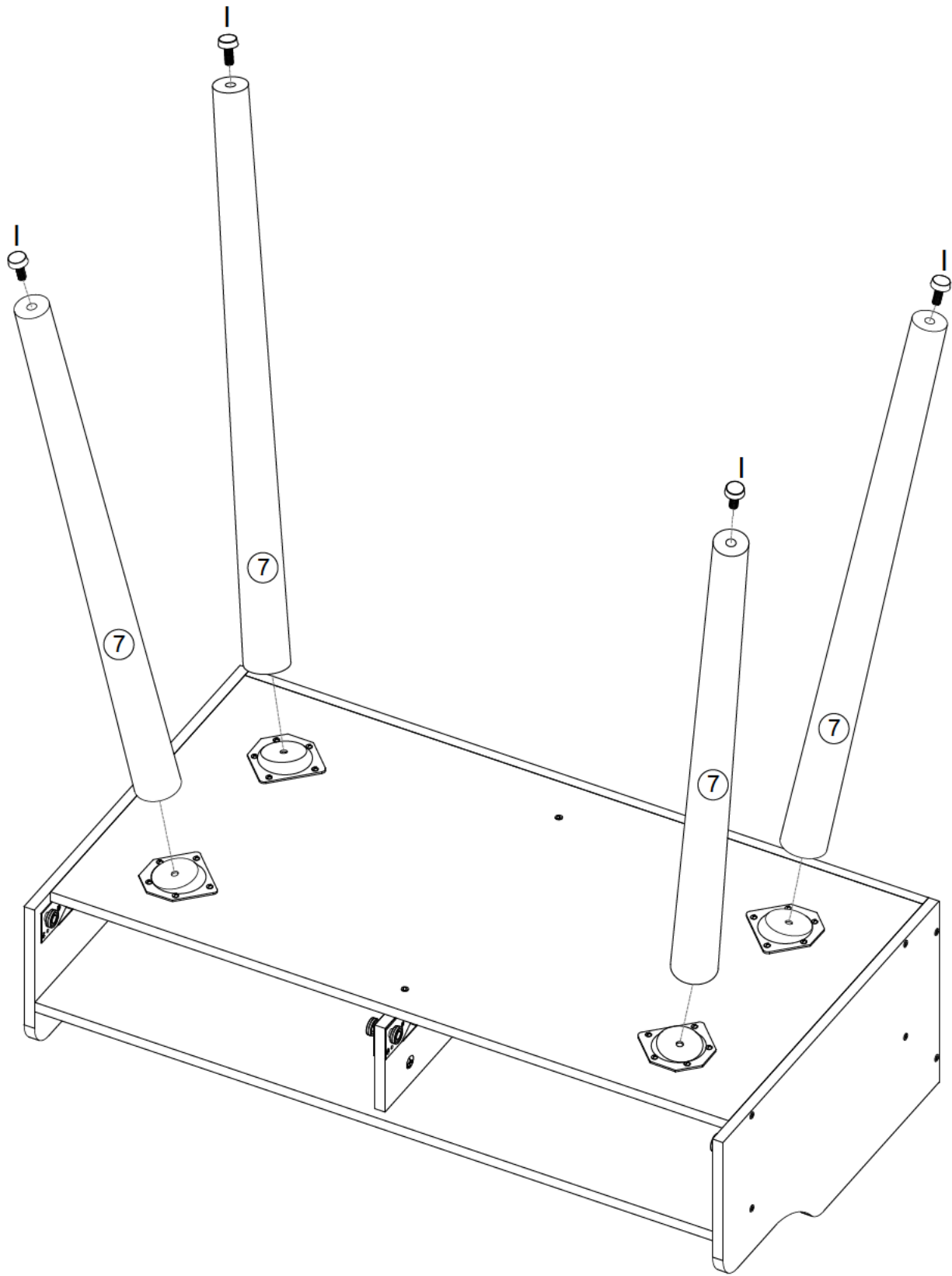
K		3mm
E		x6
B		x4


# STEP 11



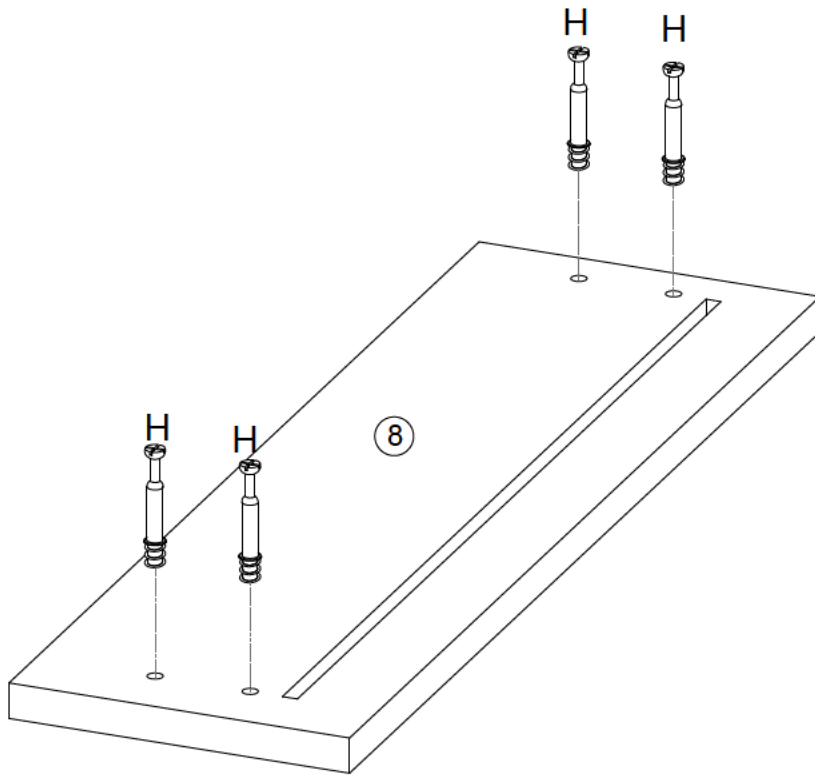
D		x20
G		x4


STEP 12



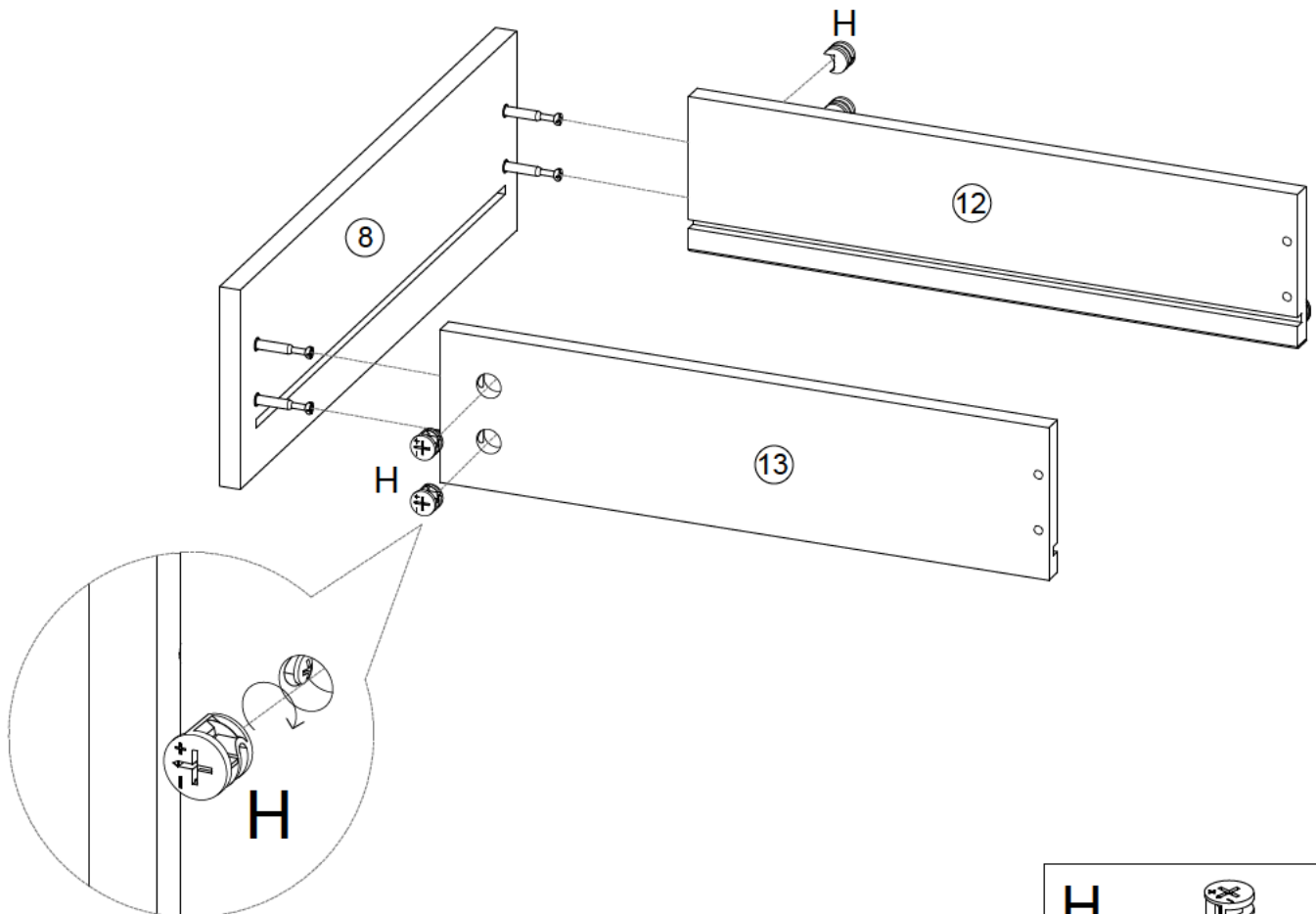
I  x4

# STEP 13



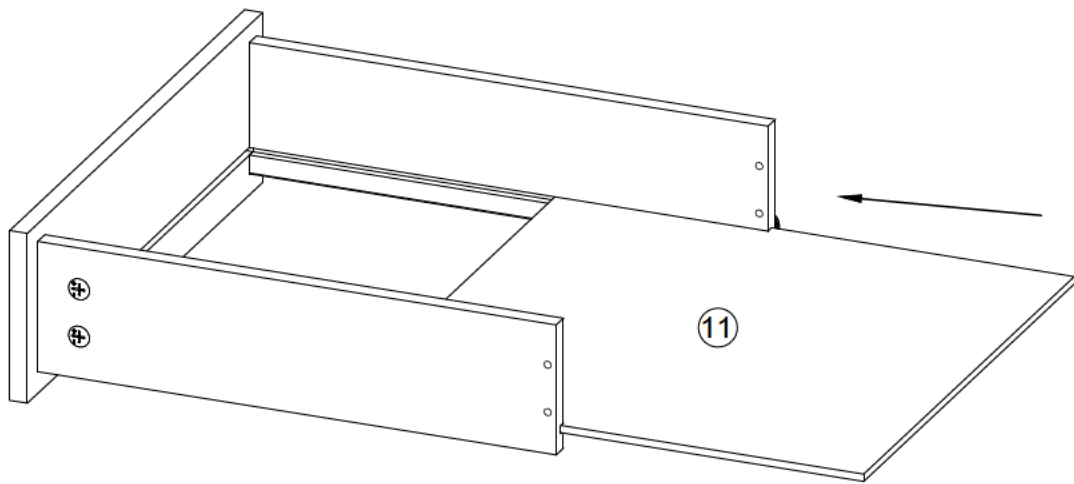
H  x4

# STEP 14

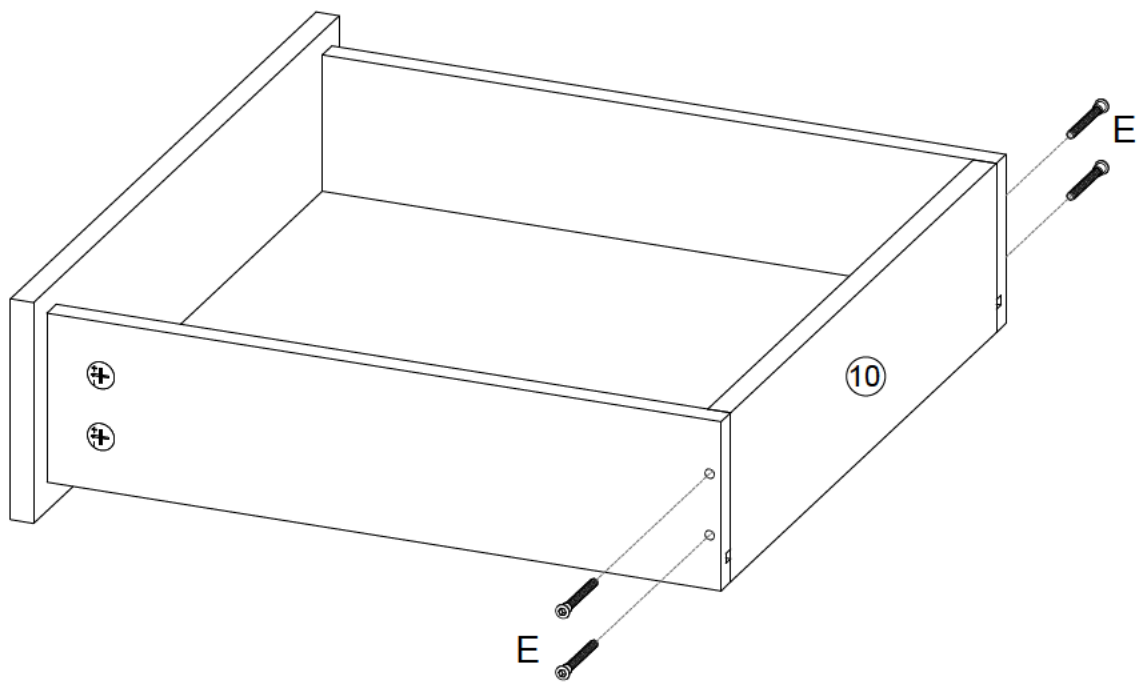




H  x4

# STEP 15

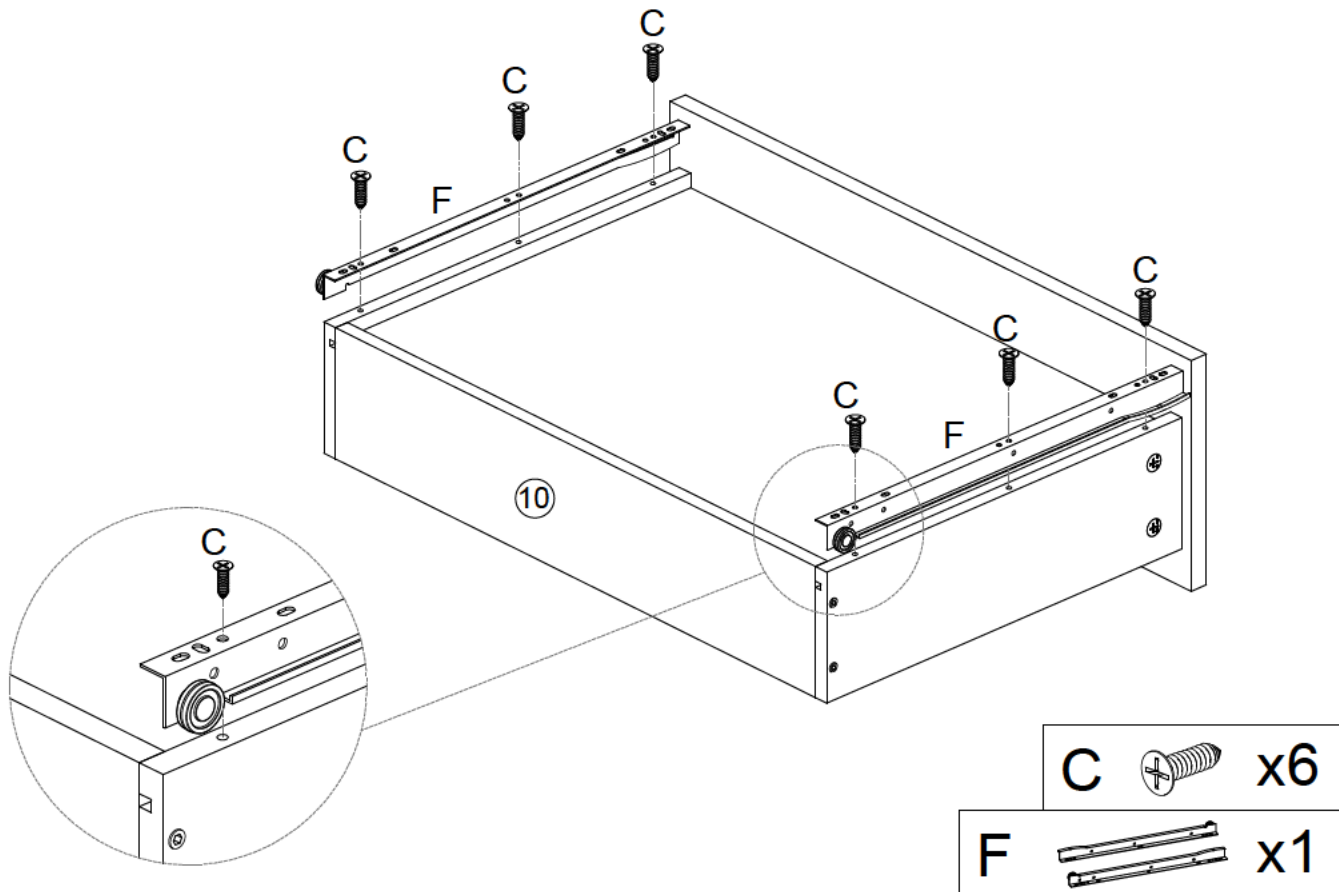


# STEP 16

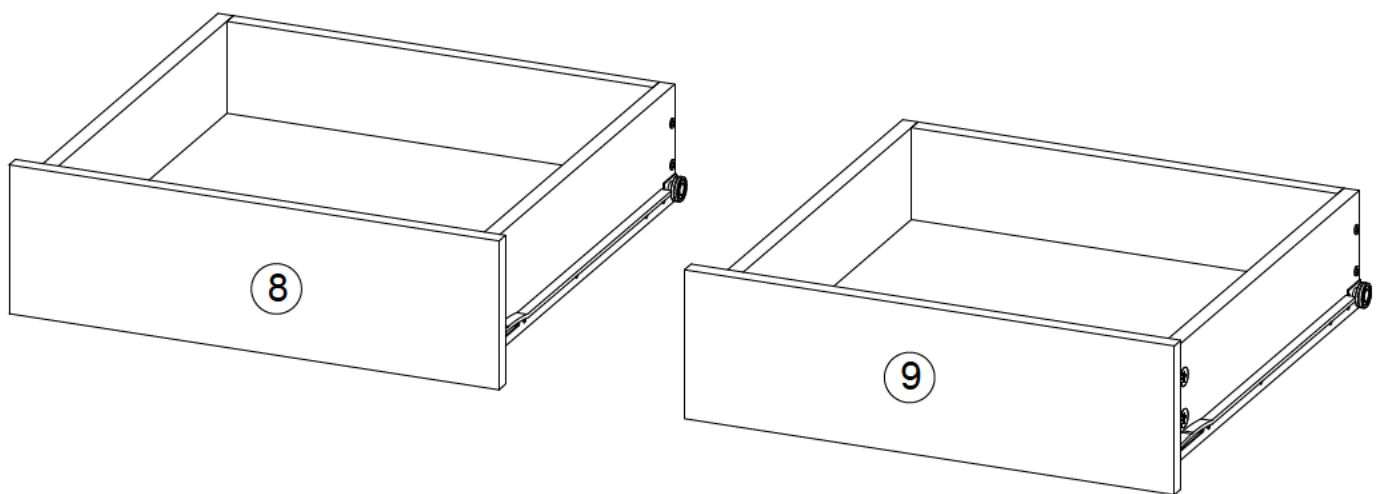


K		3mm
E		x4

## STEP 17

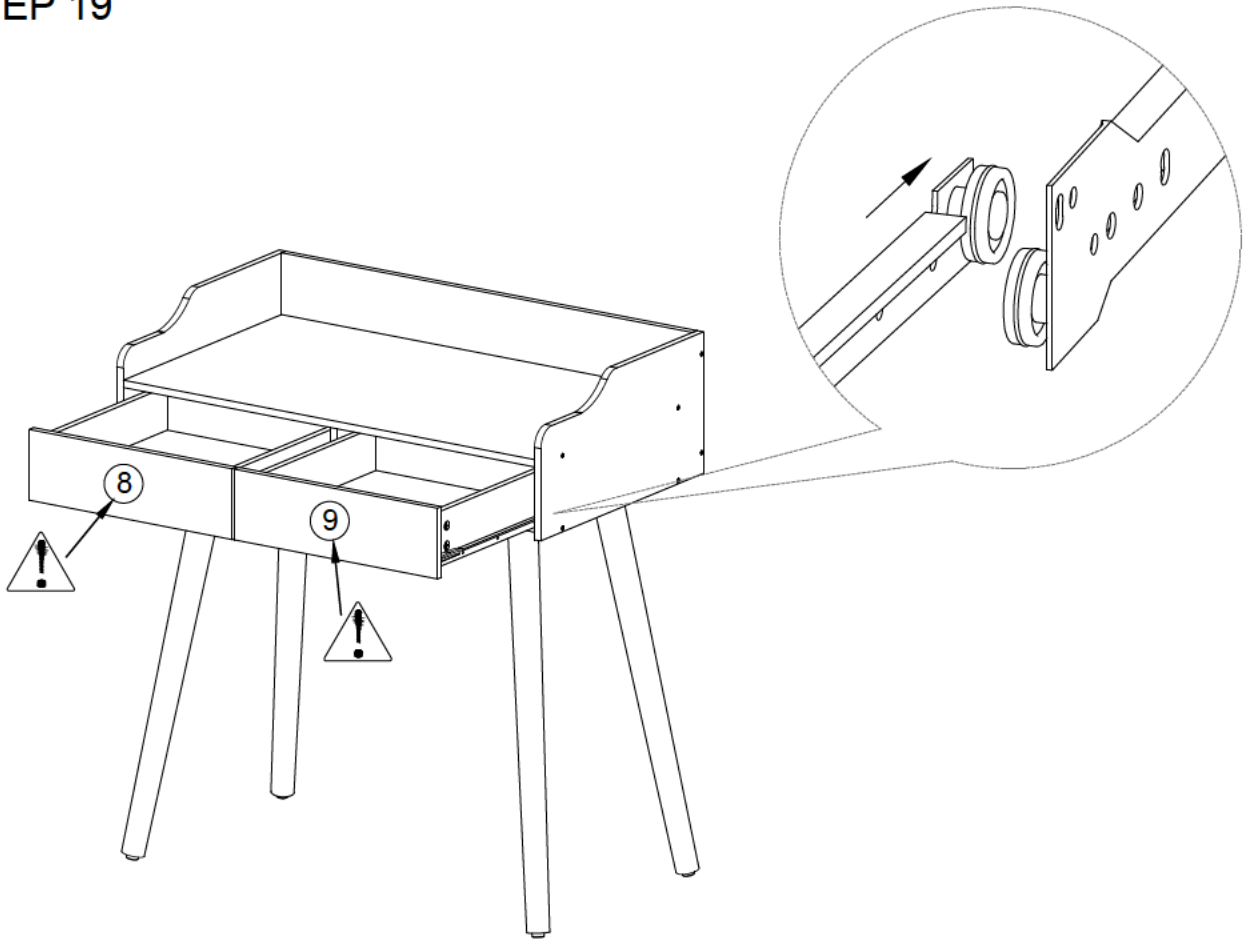


## STEP 18



Repeat the above steps for the second

## STEP 19



## STEP 20

