

## **WARNING:**

-Do not allow children to climb on unit

-Serious or fatal crushing injuries can occur from furniture tip-over. To prevent this furniture from tipping over, it must be permanently fixed to the wall. Fixing devices for the wall are not included since different wall materials require different types of fixing devices. Use fixing devices suitable for the walls in your home. For advice on suitable fixing systems, contact your local specialized dealer

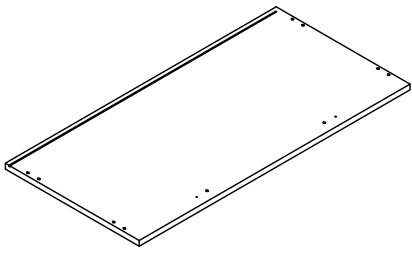
-Avoid sharp objects or corrosive chemicals to prevent damage to the product

-During assembly, keep parts and packaging materials away from children and pets as there could be potential injury and choking hazards

### **Caution:**

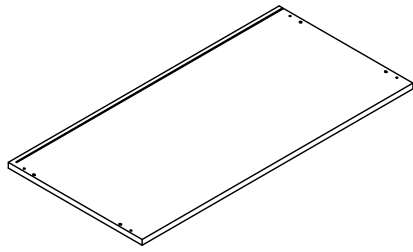
1. This product is designed for home use and not intended for commercial use.
2. This product contains small components. Please ensure that they are kept away from small children.
3. Be careful when using power tools to assemble your furniture. Power tools may strip or damage the parts.

1



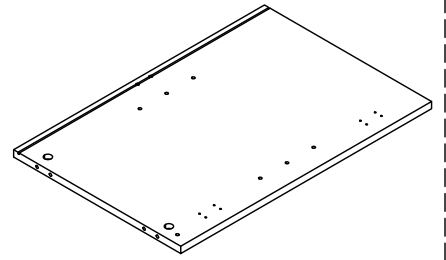
1pc

2



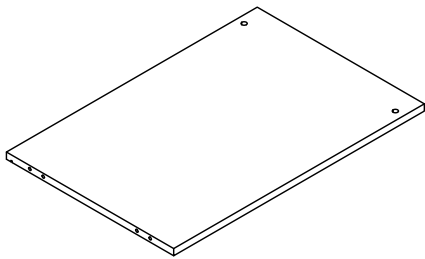
1pc

3



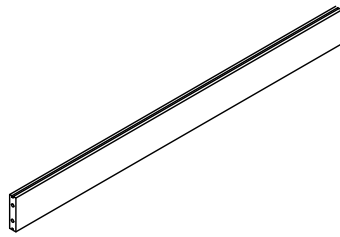
1pc

4



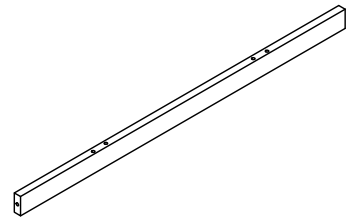
1pc

5



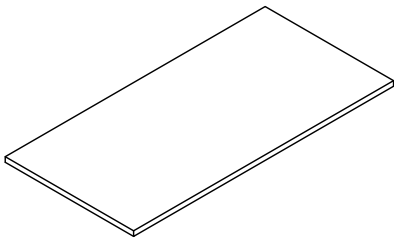
1pc

6



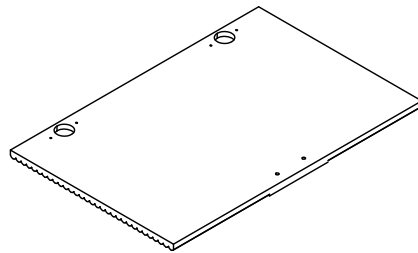
1pc

7



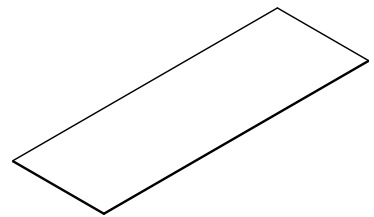
1pc

8



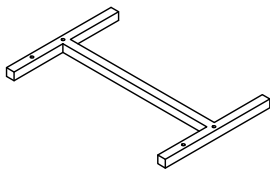
2pcs

9



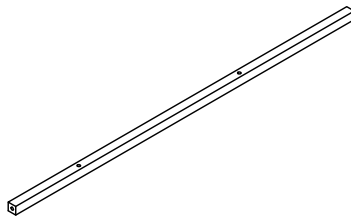
2pcs

10



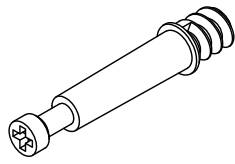
2pcs

11



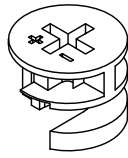
2pcs

A



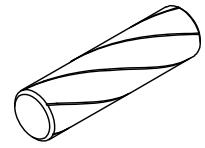
10+1spare

B



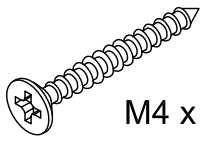
10+1spare

C



M6 x 30 mm  
10pcs

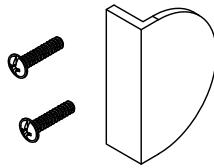
D



M4 x 35 mm

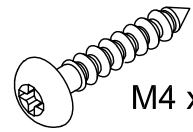
6pcs

E



2pcs

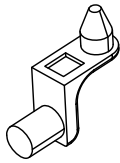
F



M4 x 35 mm

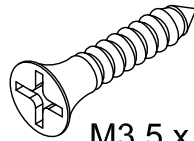
2pcs

G



4pcs

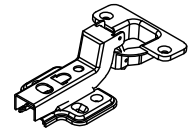
H



M3.5 x 12 mm

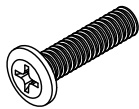
24+2spare

I



4pcs

J



M6 x 35 mm

4pcs

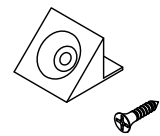
K



M6 x 25 mm

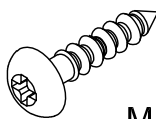
4pcs

L



8pcs

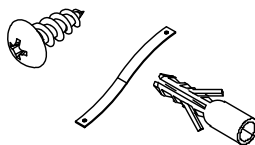
M



M4 x 25 mm

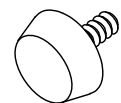
4pcs

N

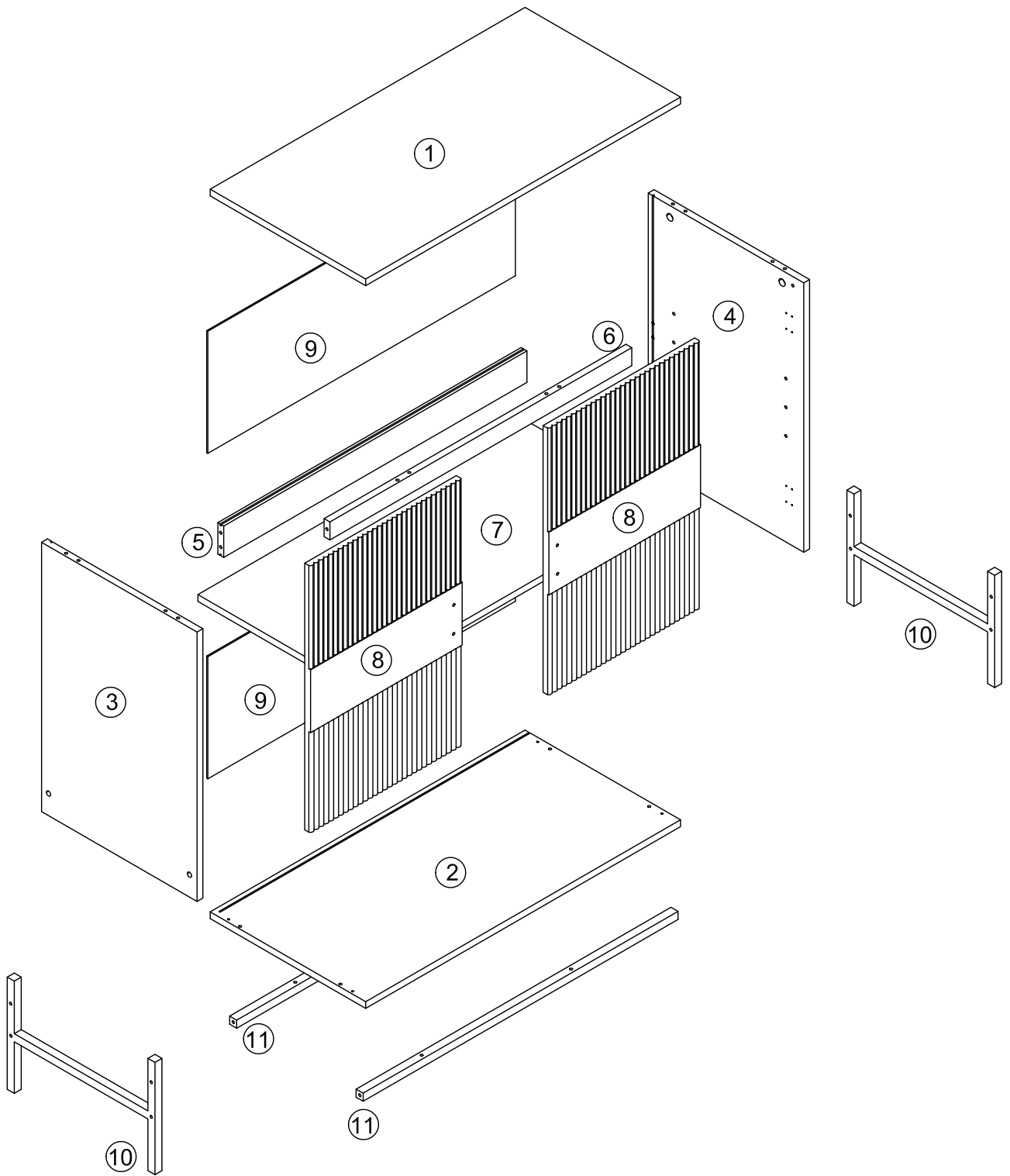


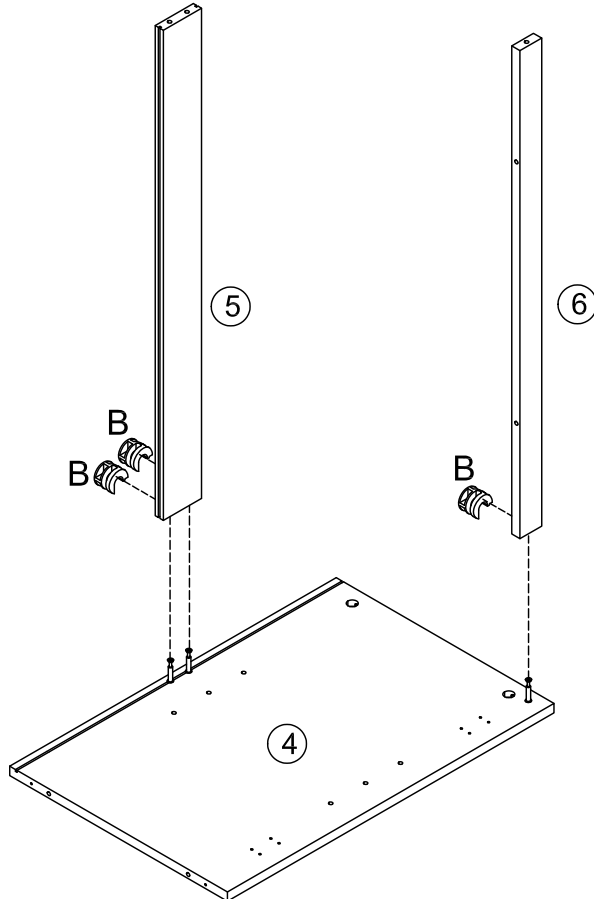
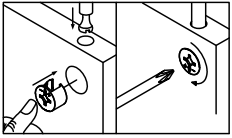
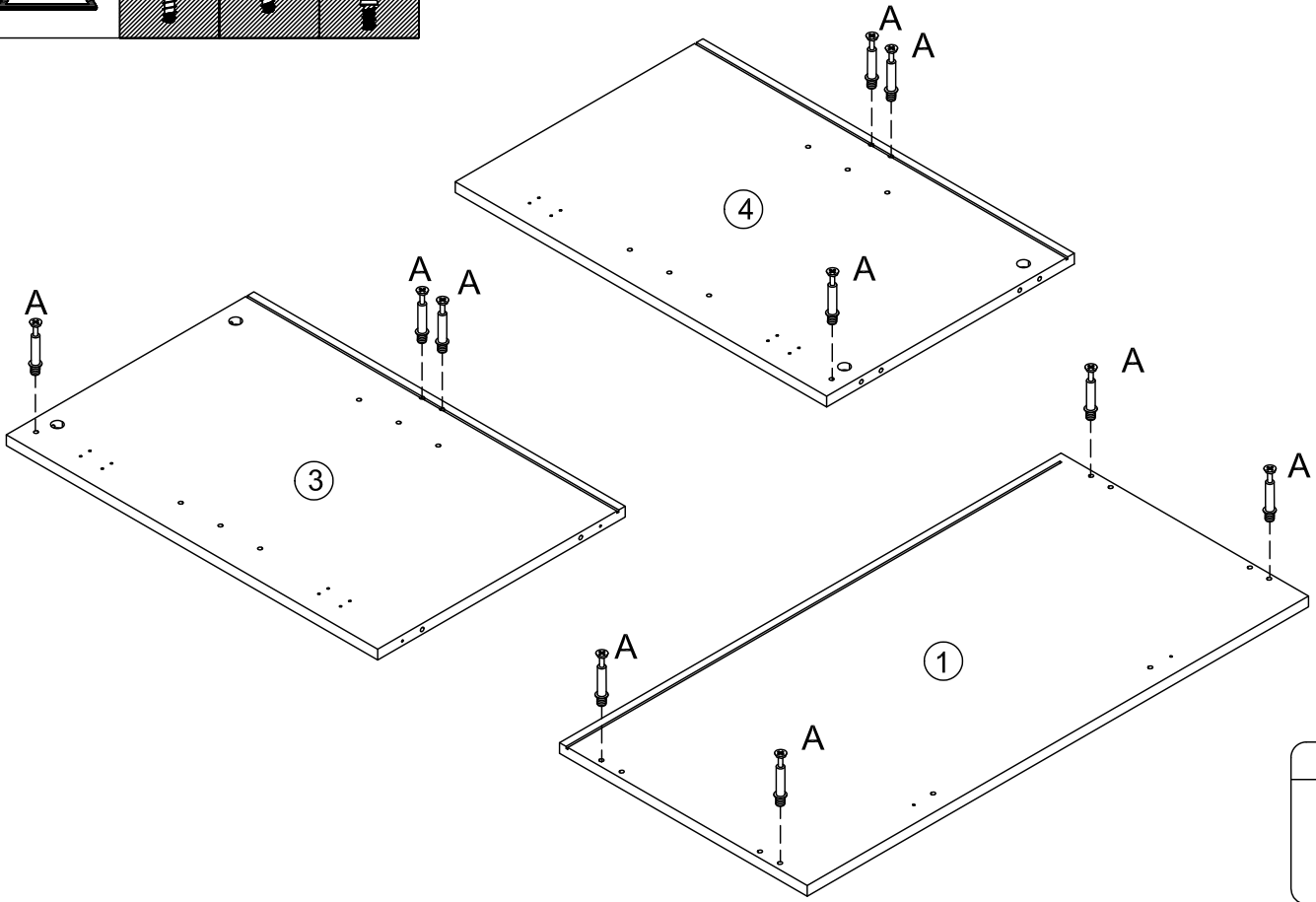
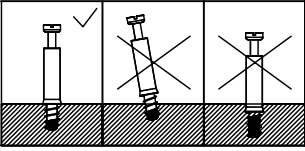
2pcs

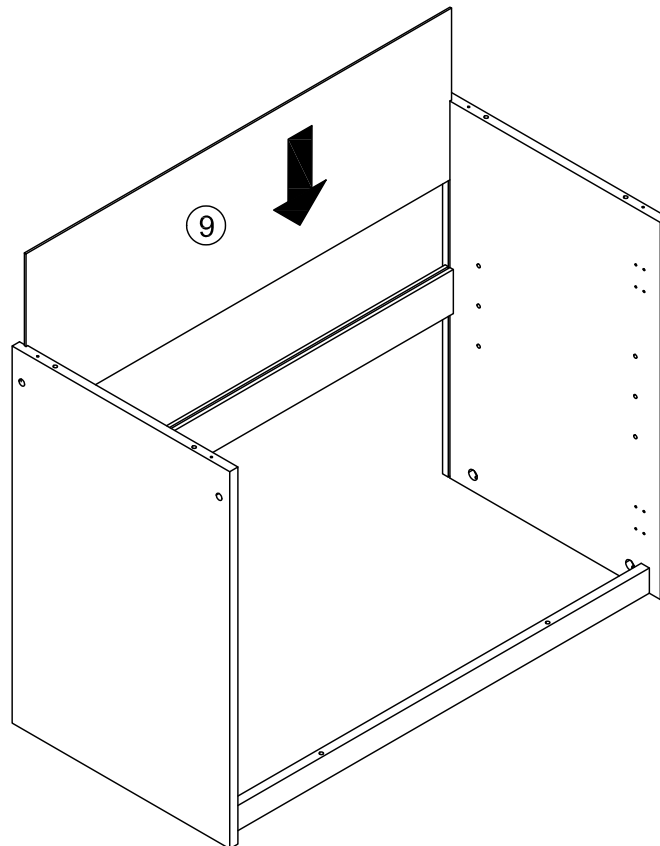
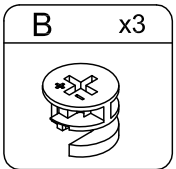
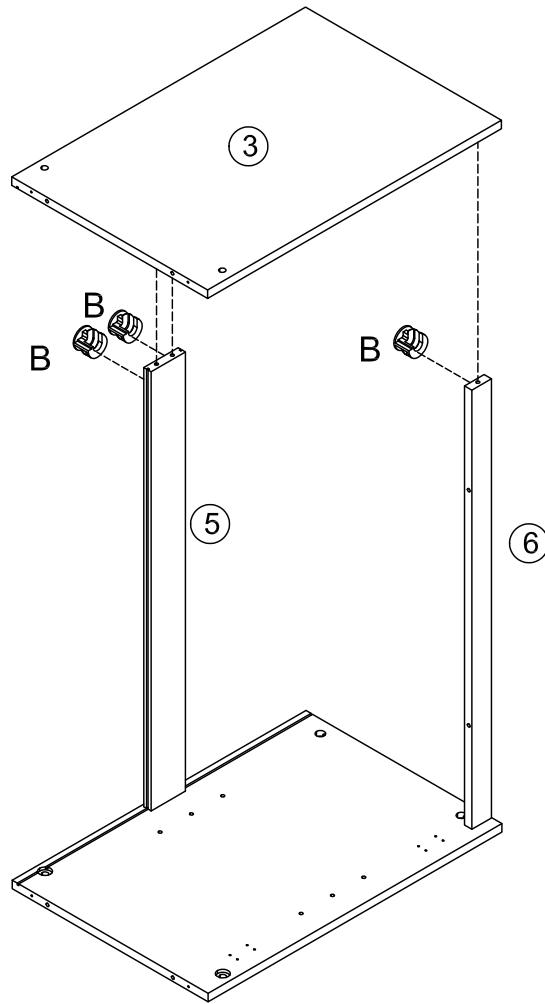
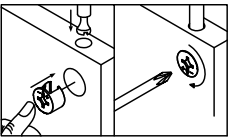
O

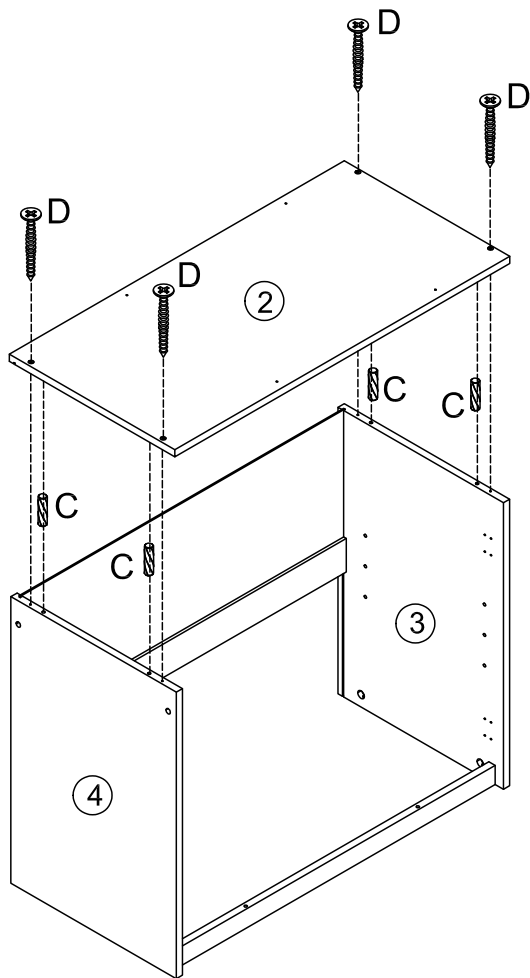


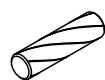
4pcs

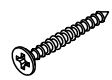




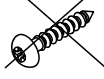



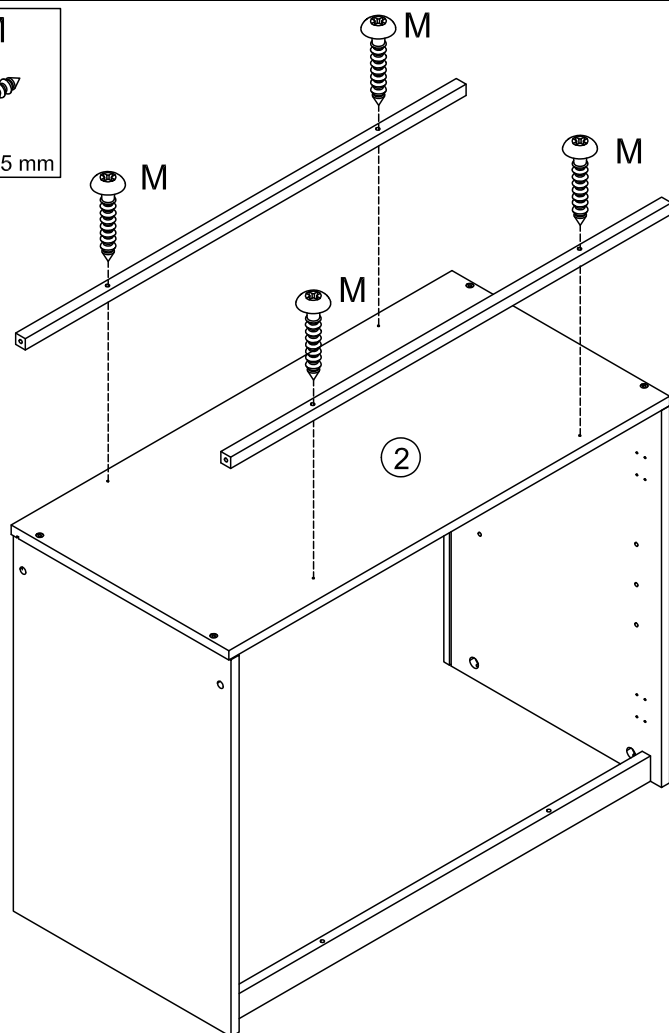



C	x4
	
M6 x 30 mm	

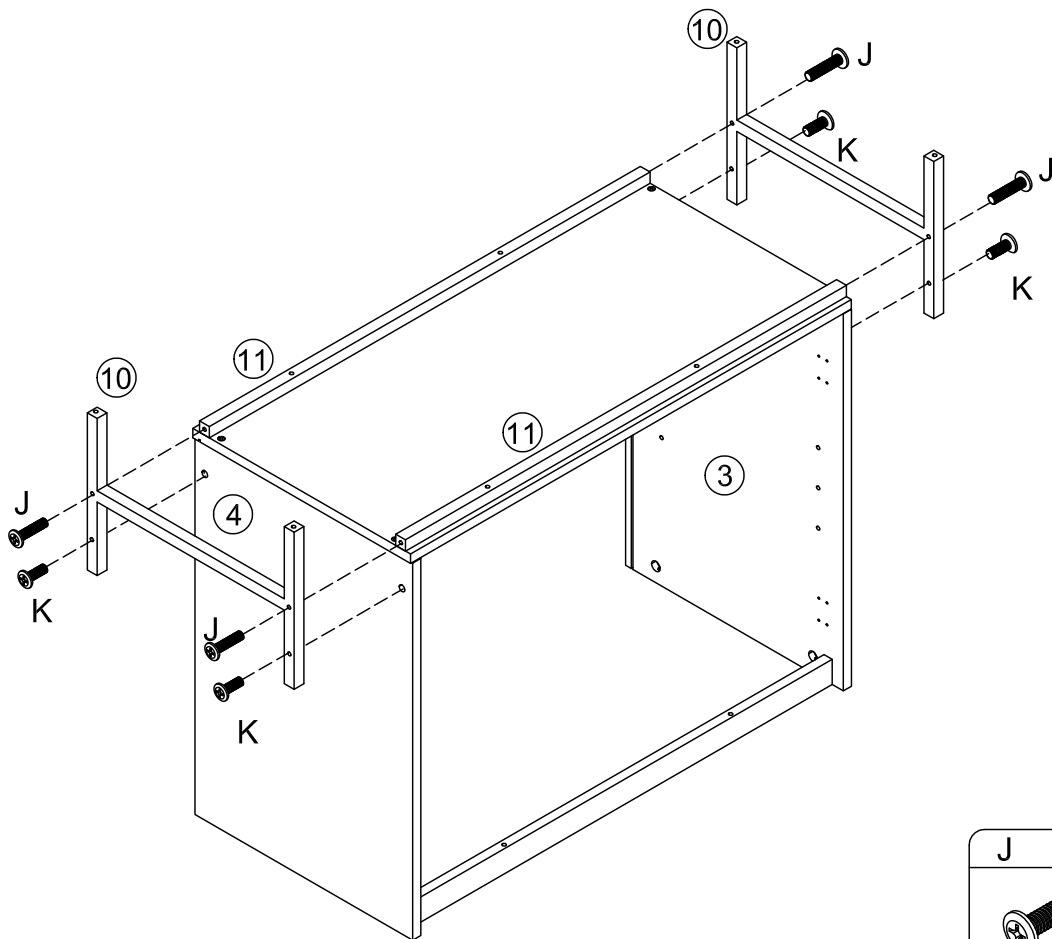
D	x4
	
M4 x 35 mm	





F	M
	
M4 x 35 mm	M4 x 25 mm

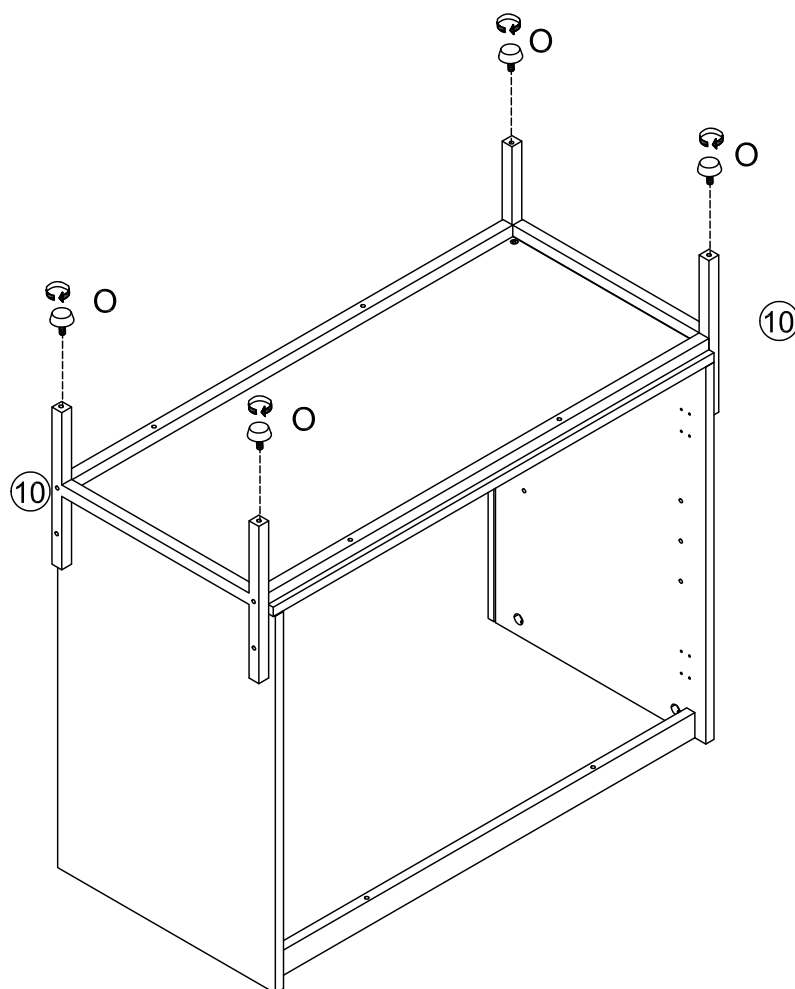



M	x4
	
M4 x 25 mm	

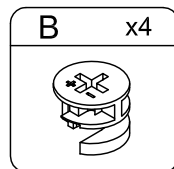
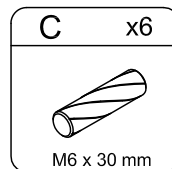
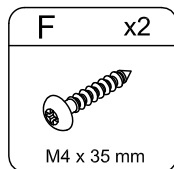
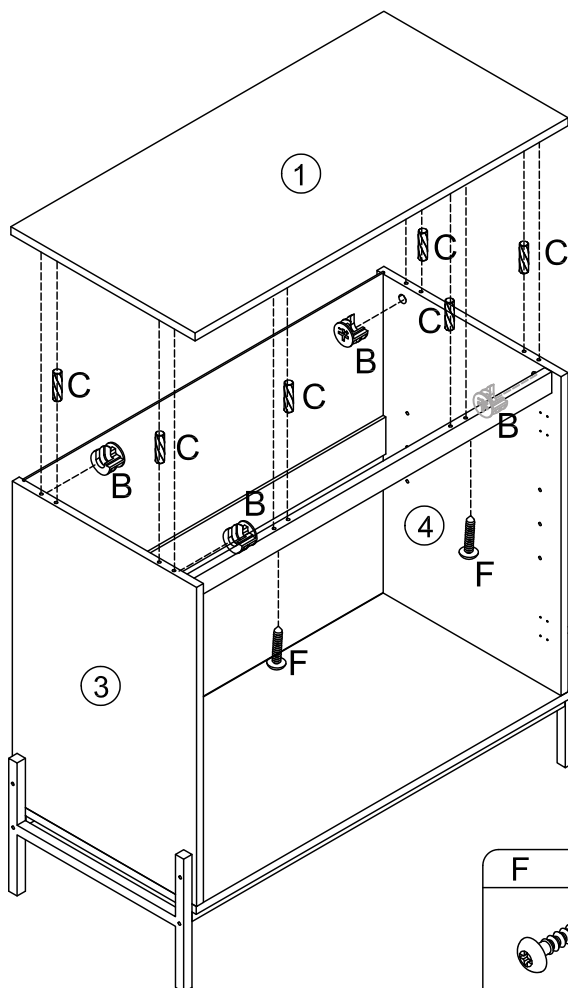
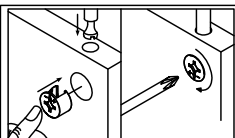
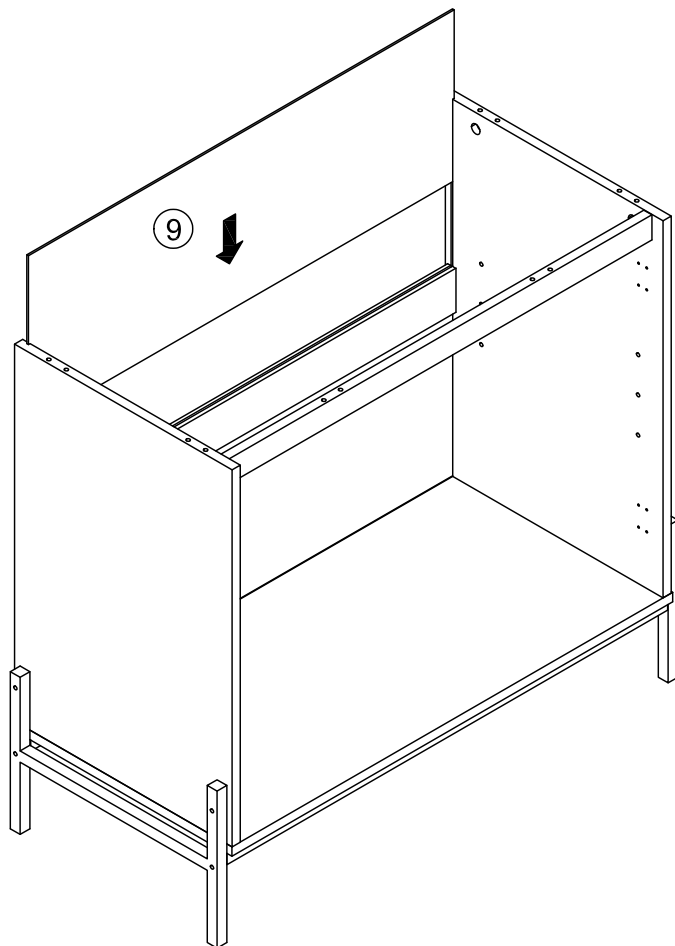


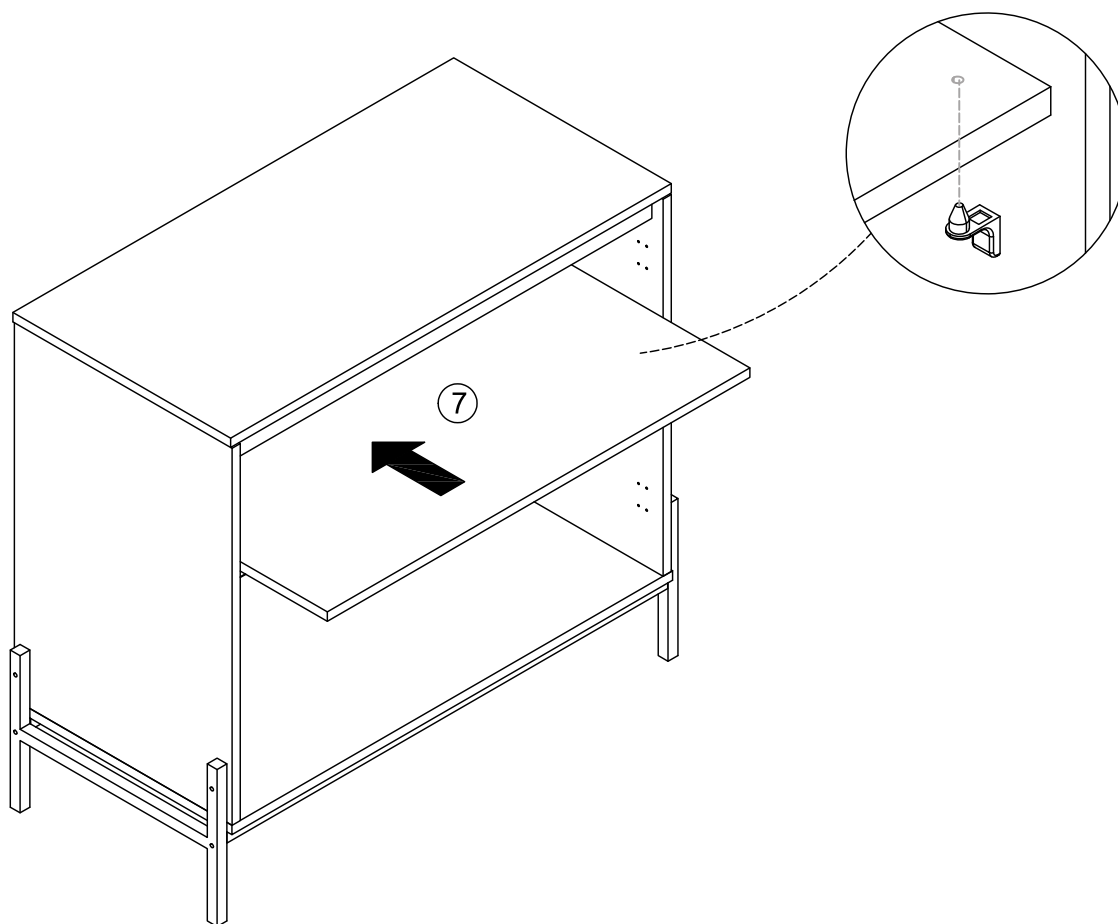
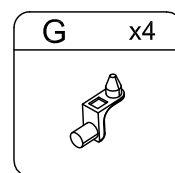
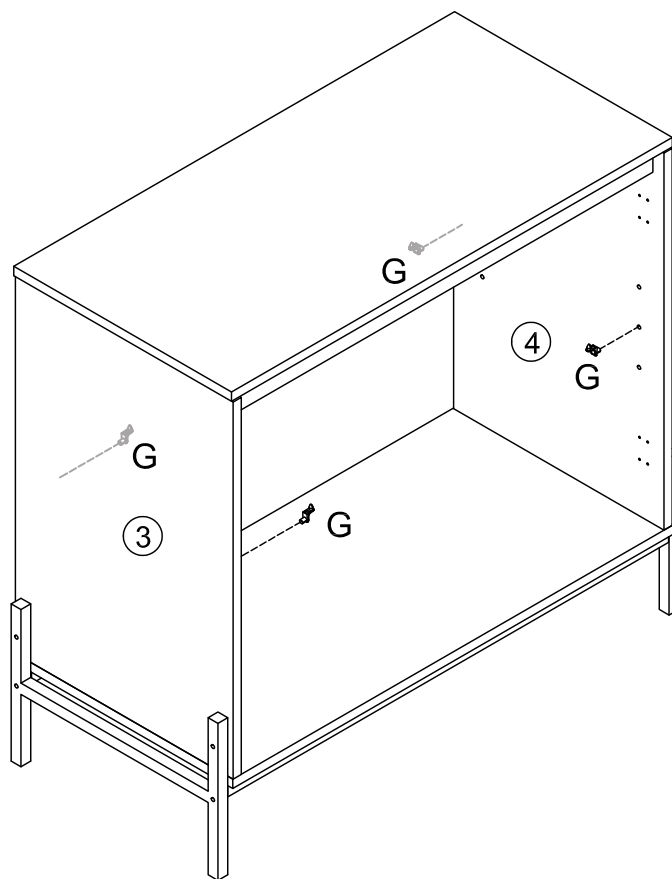
J	x4
	
M6 x 35 mm	

K	x4
	
M6 x 25 mm	

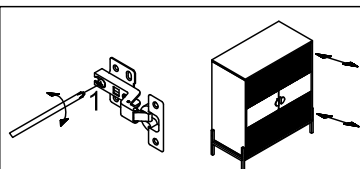
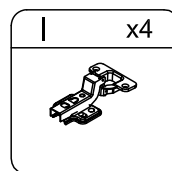
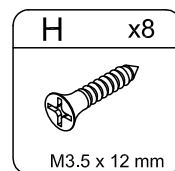
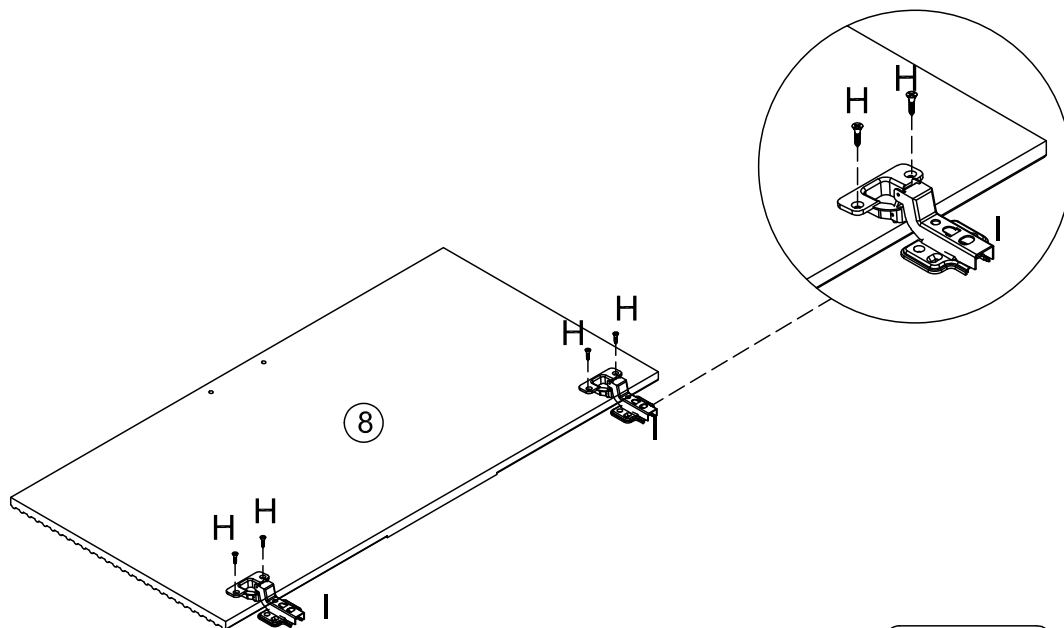


O	x4
	

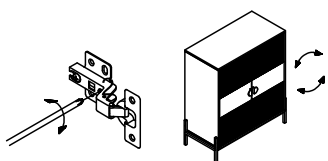




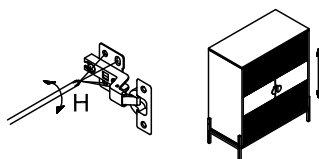
x2



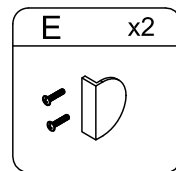
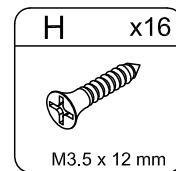
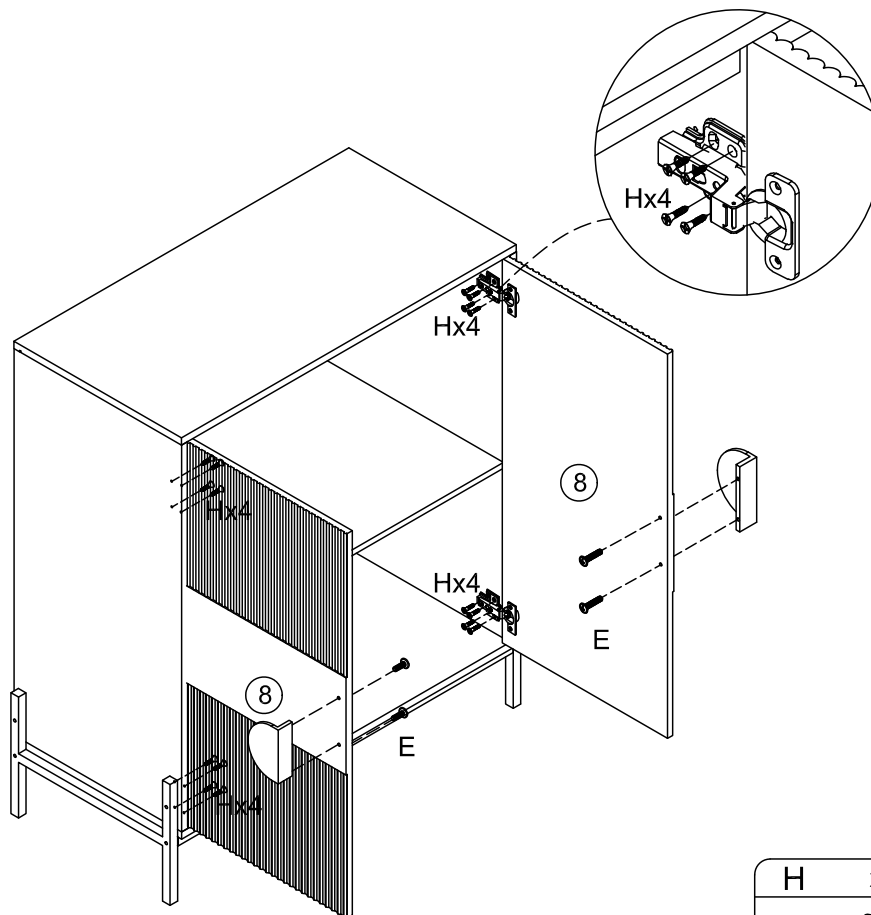
Ad just the front and back gap through screw

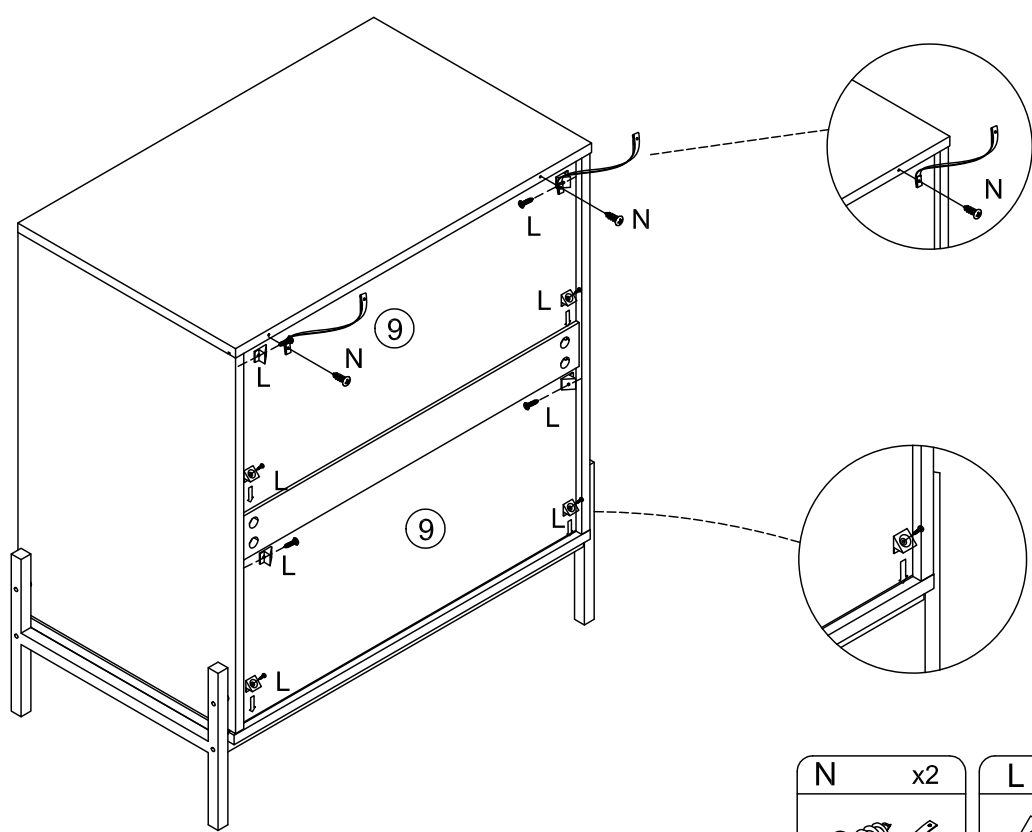


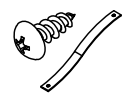

Ad just the left and right gap through screw

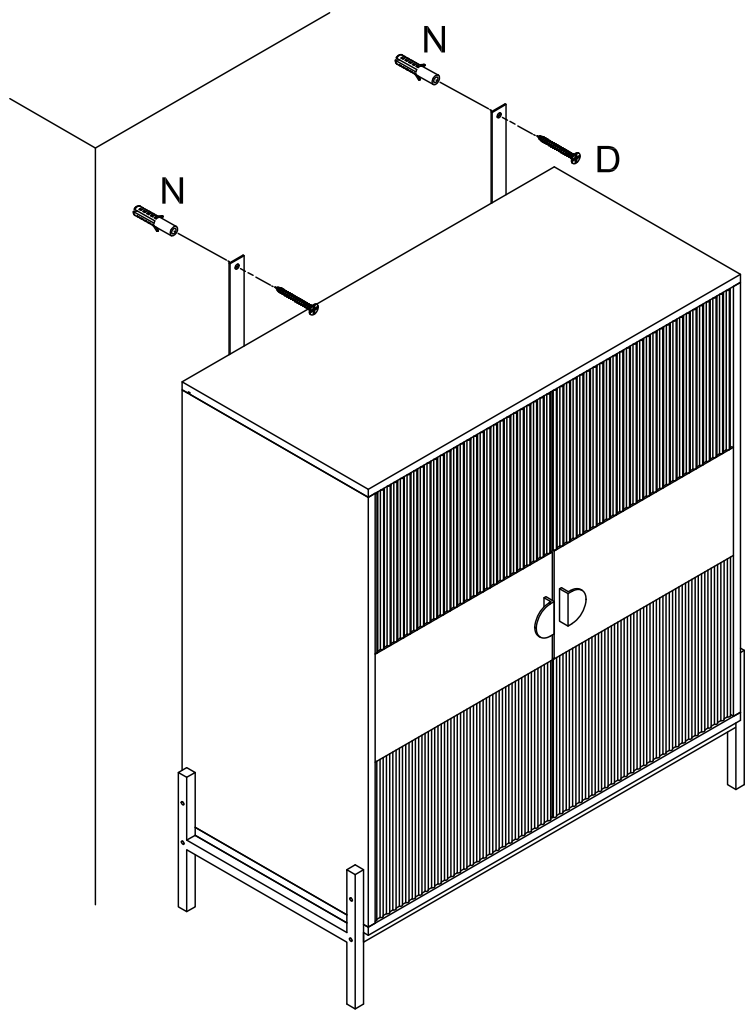




Ad just the up and down gap through screw H





- |  |    |  |    |
|--|----|--|----|
| N  | x2 | L  | x8 |
|  |    |  |    |



- |   |    |   |    |
|---|----|---|----|
| N   | x2 | D   | x2 |
|  |    |  |    |
|   |    | M4 x 35 mm  |    |