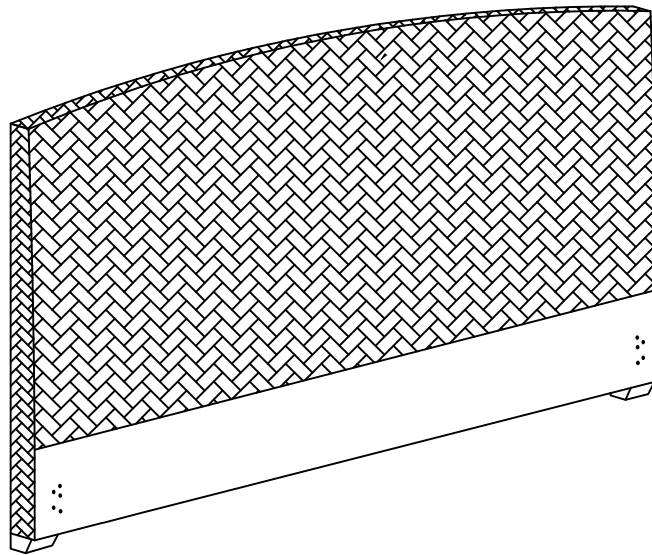


# ASSEMBLY INSTRUCTIONS



***Eastern King Headboard***

# ASSEMBLE HEADBOARD TO METAL FRAME

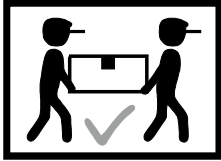
## ASSEMBLY TIPS :

1. Remove hardware from box and sort by size.
2. Please check to see that all hardware and parts are present prior to start of assembly.
3. Please follow attached instructions in the same sequence as numbered to assure fast & easy assembly.



### WARNING!

1. Don't attempt to repair or modify parts that are broken or defective. Please contact the store immediately.
2. This product is for home use only and not intended for commercial establishments.



ASSEMBLY TIME

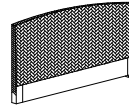
15 MINUTES

## PARTS IDENTIFICATION

### B1 (BOX 1)

A

HEADBOARD



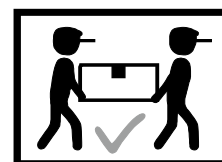
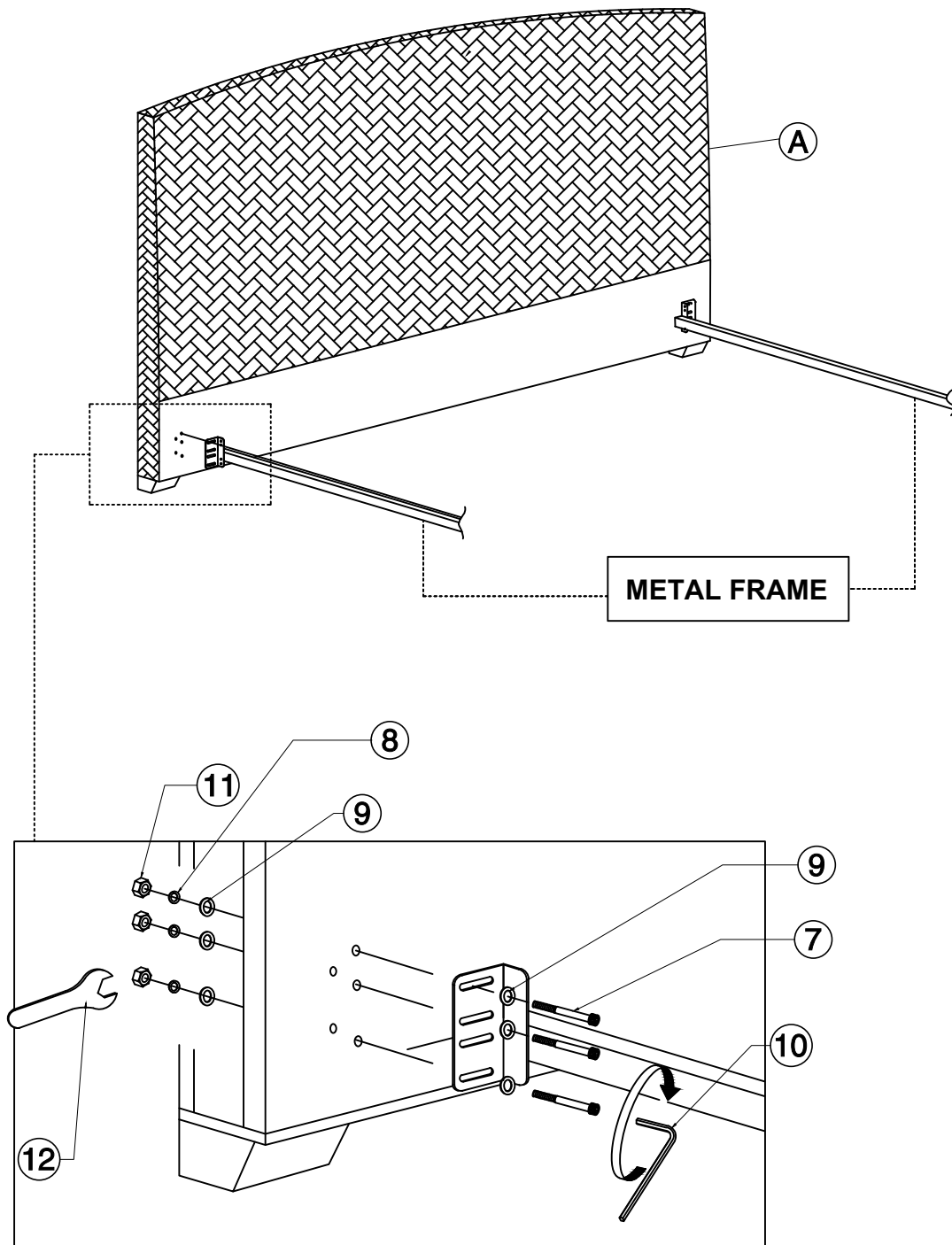
1PC

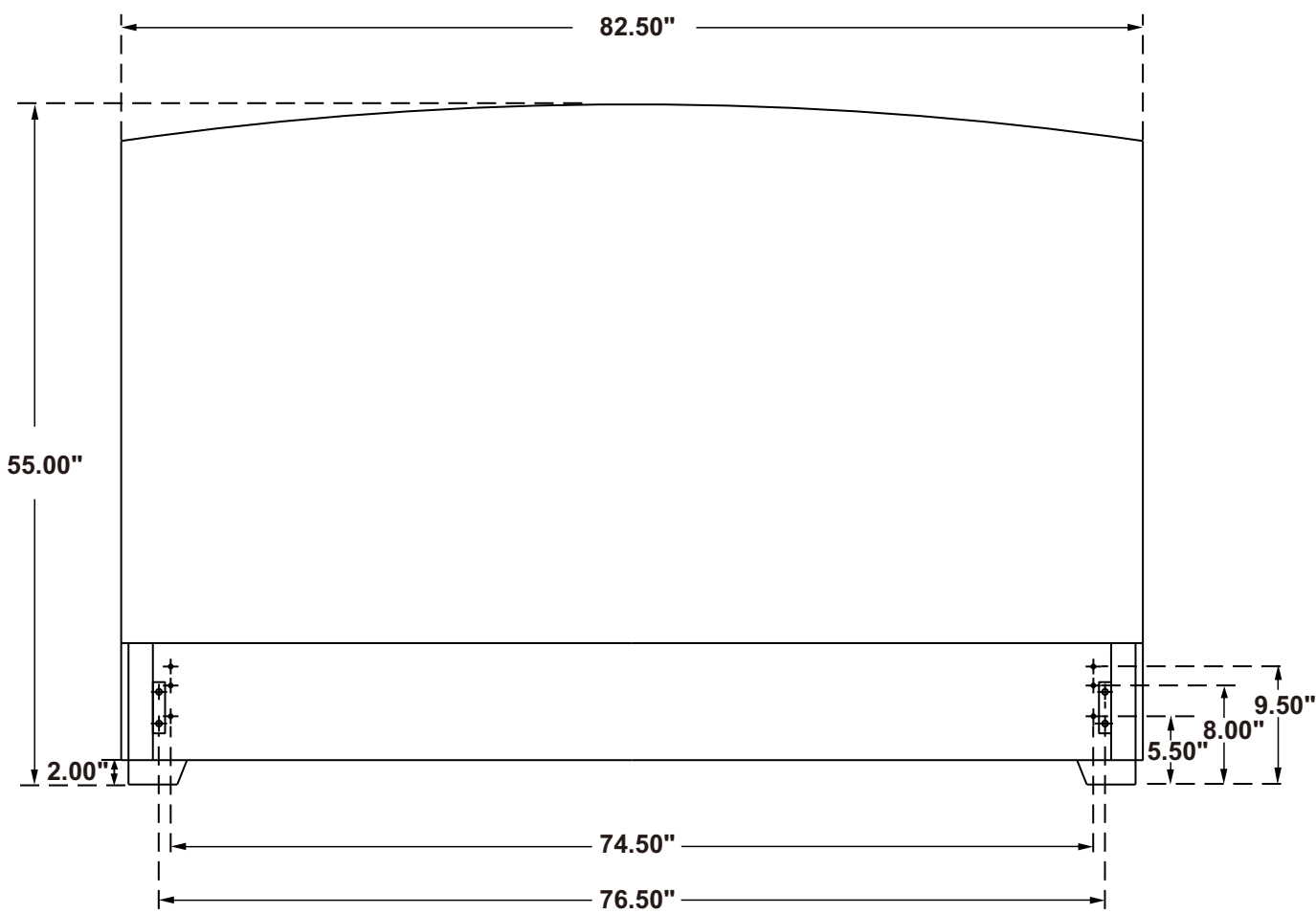
## HARDWARE IDENTIFICATION

### Z - B1 (BOX 1) - HARDWARE PACK IS LOCATED IN (B1)

7	<b>LONG BOLT</b> ( Ø7/23" x 2-3/8" - BLK )		6PCS
8	<b>LOCK WASHER</b> ( Ø4/16" - RBW )		6PCS
9	<b>FLAT WASHER</b> ( Ø4/16" - RBW )		12PCS
10	<b>ALLEN WRENCH</b> ( 4mm - BLK )		1PC
11	<b>HEX NUT</b> ( M 6mm - BLK )		6PCS
12	<b>WRENCH</b> ( 3-3/8" x 1-1/8" - RBW )		1PC

# ASSEMBLE HEADBOARD TO METAL FRAME COMPLETE





**Note: Dimension tolerance  $\pm 5\%$**