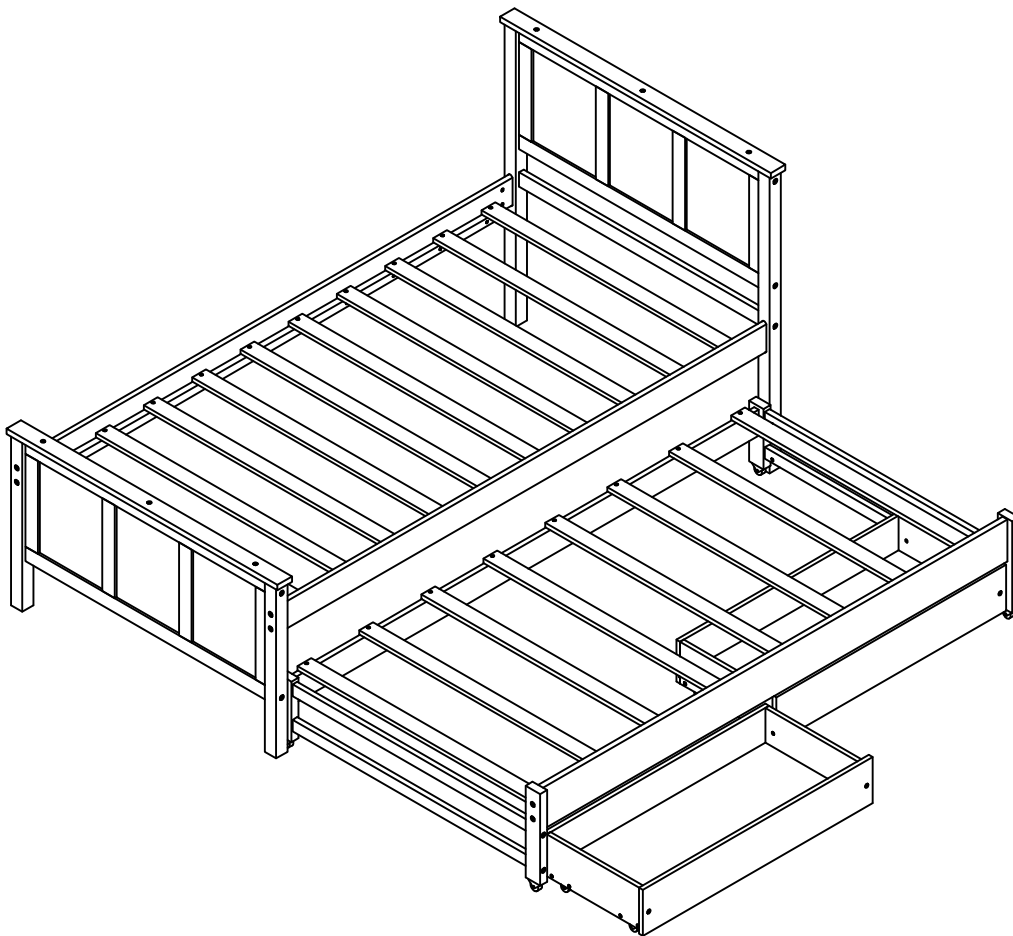
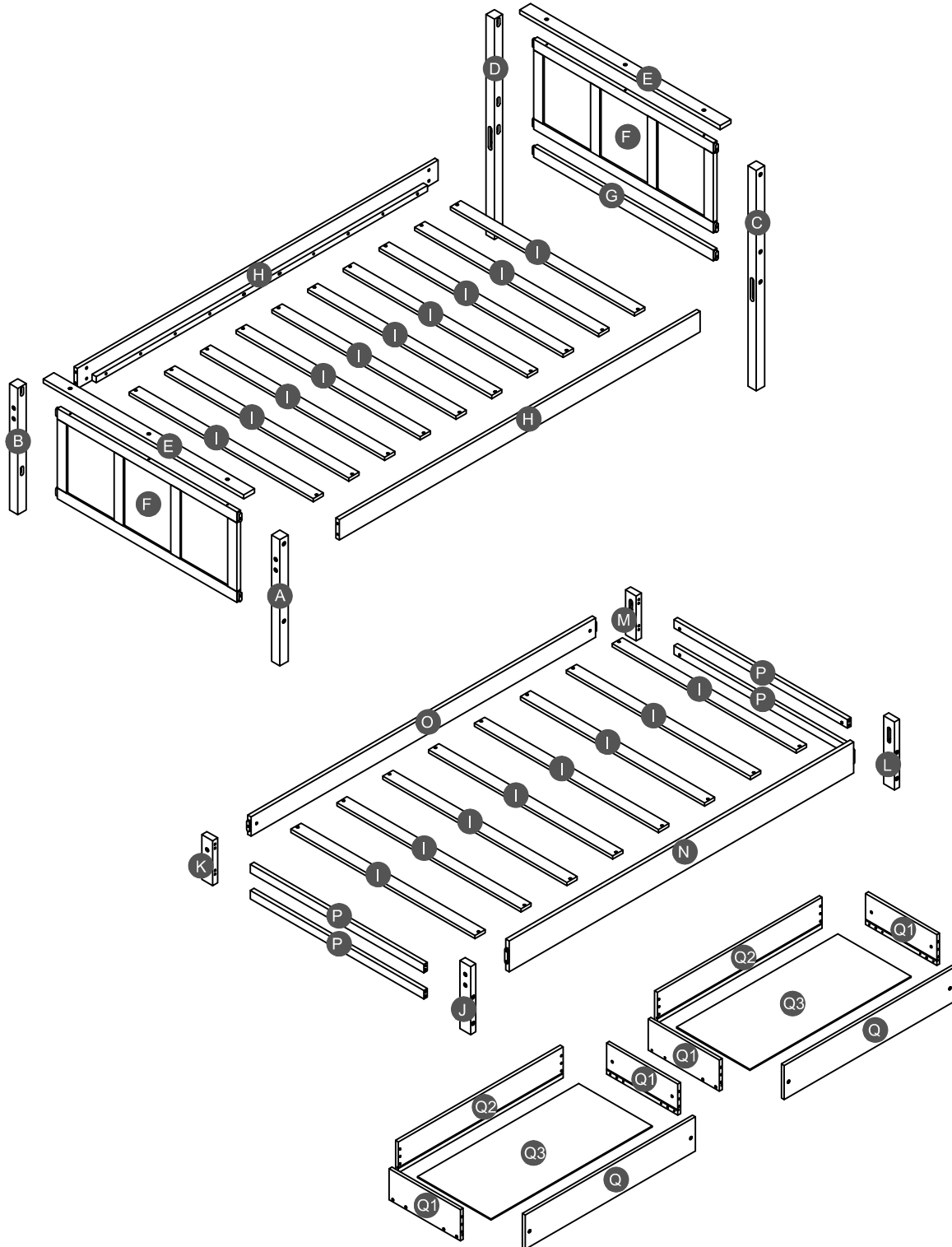


# ASSEMBLY INSTRUCTIONS

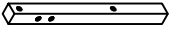
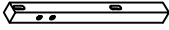



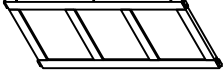
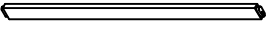

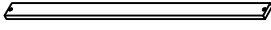
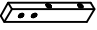
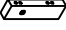
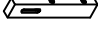
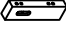
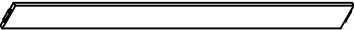

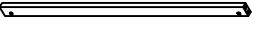
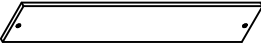
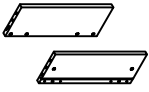

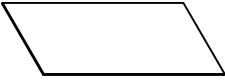
## TWIN BED WITH TRUNDLE AND 2 DRAWERS



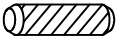
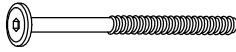
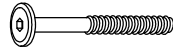
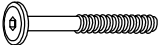

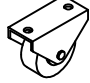

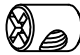
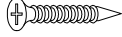
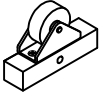
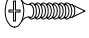
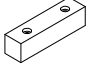

# Detail View



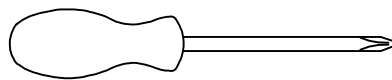
# Part List

<p><b>A</b></p>  <p>Leg FB (Left-front) - 1pc</p>	<p><b>B</b></p>  <p>Leg FB (Left-back) - 1pc</p>	<p><b>C</b></p>  <p>Leg HB (Right-front) - 1pc</p>
<p><b>D</b></p>  <p>Leg HB (Right-back) - 1pc</p>	<p><b>E</b></p>  <p>Cap for HB &amp; FB - 2pcs</p>	<p><b>F</b></p>  <p>Frame HB &amp; FB - 2pcs</p>
<p><b>G</b></p>  <p>Horizontal bar HB - 1pc</p>	<p><b>H</b></p>  <p>Upper side rail - 2pcs</p>	<p><b>I</b></p>  <p>Slat - 18pcs</p>
<p><b>J</b></p>  <p>Leg (Left-front) - 1pc</p>	<p><b>K</b></p>  <p>Leg (Left-back) - 1pc</p>	<p><b>L</b></p>  <p>Leg (Right-front) - 1pc</p>
<p><b>M</b></p>  <p>Leg (Right-back) - 1pc</p>	<p><b>N</b></p>  <p>Lower side rail (Front) - 1pc</p>	<p><b>O</b></p>  <p>Lower side rail (Back) - 1pc</p>
<p><b>P</b></p>  <p>Lower horizontal bar - 4pcs</p>	<p><b>Q</b></p>  <p>Drawer front - 2pcs</p>	<p><b>Q1</b></p>  <p>Drawer (Left / Right) - 4pcs</p>
<p><b>Q2</b></p>  <p>Drawer back - 2pcs</p>	<p><b>Q3</b></p>  <p>Drawer bottom - 2pcs</p>	

# Hardware List

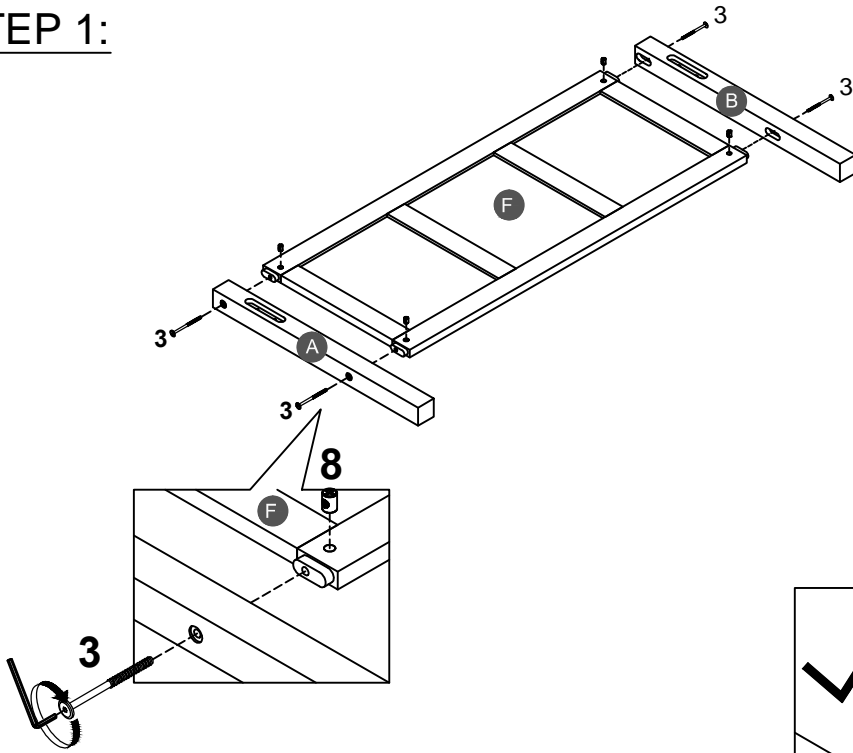
<b>1</b>  Ø8*30mm Wood dowel (24pcs)	<b>2</b>  (Ø15)1/4"*100mm Hex-Head bolts (16pcs)	<b>3</b>  (Ø15)1/4"*80mm Hex-Head bolts (16pcs)
<b>4</b>  (Ø12)1/4"*60mm Hex-Head bolts (8pcs)	<b>5</b>  (Ø12)1/4"*40mm Wood screws (6pcs)	<b>6</b>  45*20*35 mm Wheels (4pcs)
<b>7</b>  (1/4")4.5*58mm Allen key (1pc)	<b>8</b>  1/4"*15 (9.5mm) Horizontal-Hole bolts(40pcs)	<b>9</b>  Ø4*30mm Wood screws (58pcs)
<b>10</b>  100*54*20 mm Wheels (8pcs)	<b>11</b>  Ø3.5*19mm Wood screws (8pcs)	<b>12</b>  70*19*19 mm Drawer stopper (3pcs)
<b>13</b>  Ø10*20mm Wood dowel (8pcs)		

## ASSEMBLY TOOLS REQUIRED ( NOT INCLUDED )



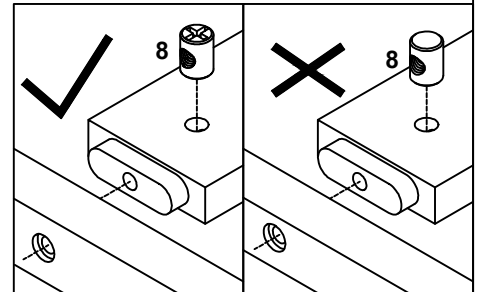
PLEASE BE CAREFUL DO NOT DAMAGE THE HOLE POSITION WHEN YOU USE POWER TOOLS !

**STEP 1:**

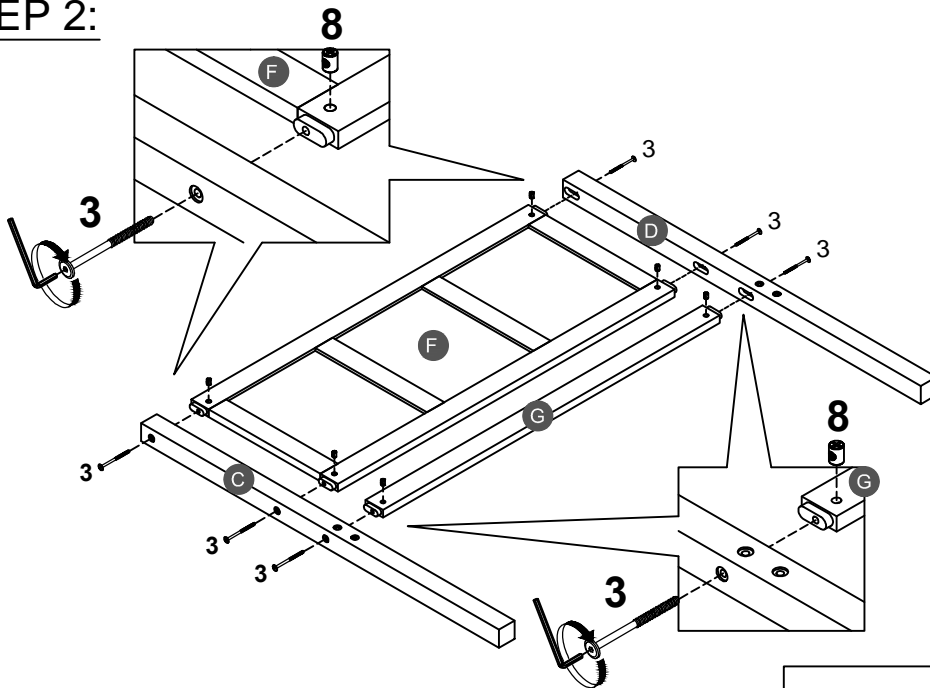


<b>3</b>		<b>8</b>	
<b>4PCS</b>		<b>4PCS</b>	

Note: Part 8 will face up with the "x" mark on it, otherwise it cannot be tightened

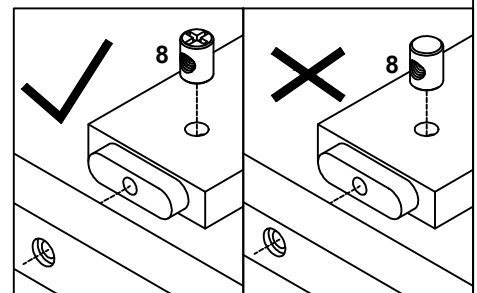


**STEP 2:**

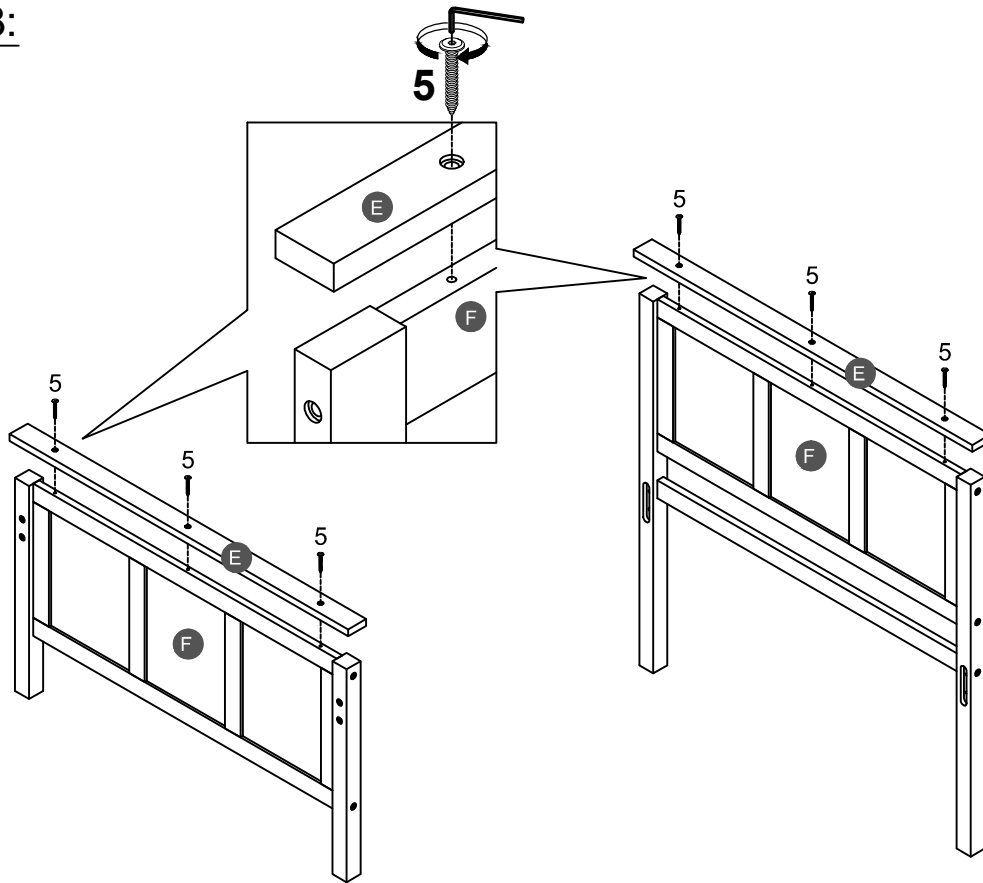


<b>3</b>		<b>8</b>	
<b>6PCS</b>		<b>6PCS</b>	

Note: Part 8 will face up with the "x" mark on it, otherwise it cannot be tightened



**STEP 3:**

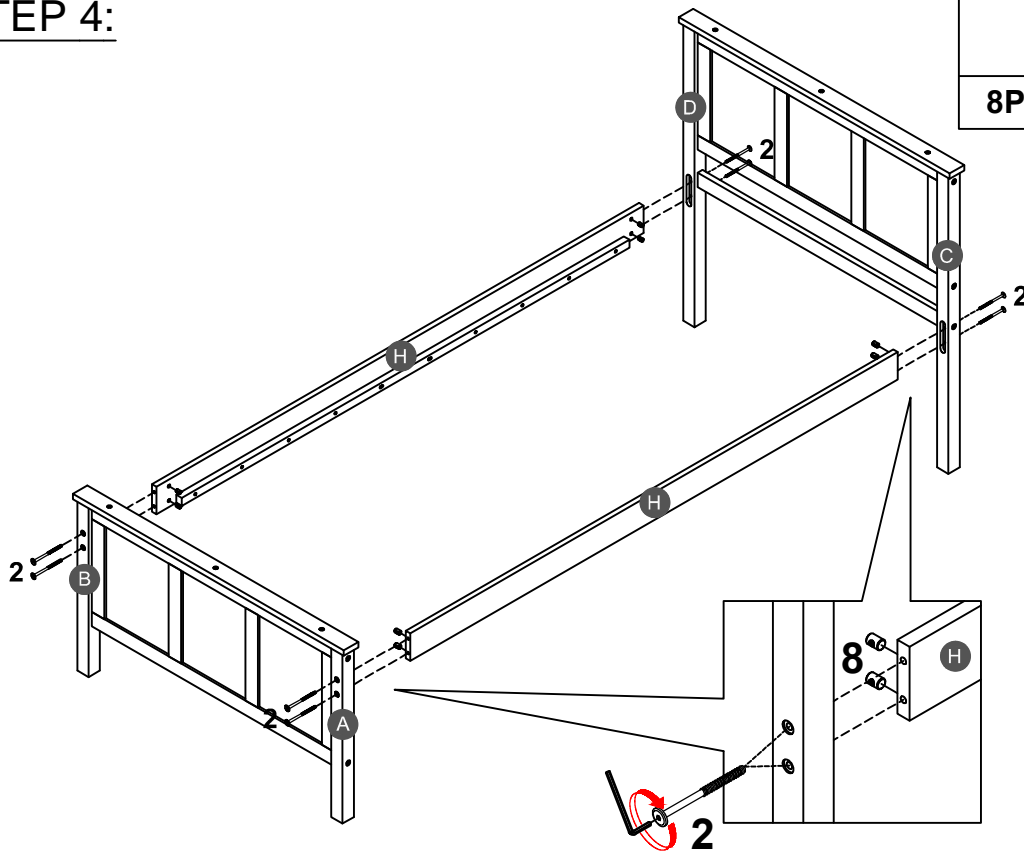


5



6PCS

**STEP 4:**



2



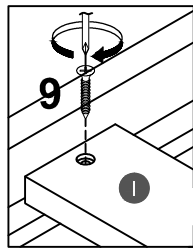
8PCS

8



8PCS

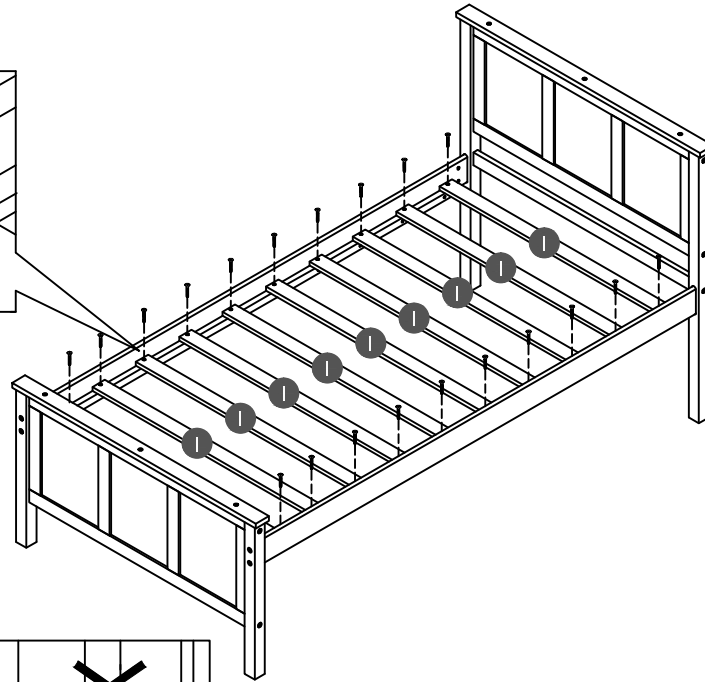
### STEP 5:



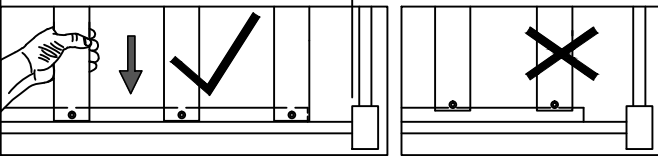
9



20PCS



5.5" 139mm    5.5" 139mm    2.5" 64mm



Note: Do not lock the screws of the bed slats to the outermost edge of the bed slats, you need to leave a certain space at the edges, otherwise it will cause the board to break. Do not lock the bed slats on the edge of the wood, please hold firmly before screwing, hold it in place with one hand, then lock the screw.

### STEP 6:

6

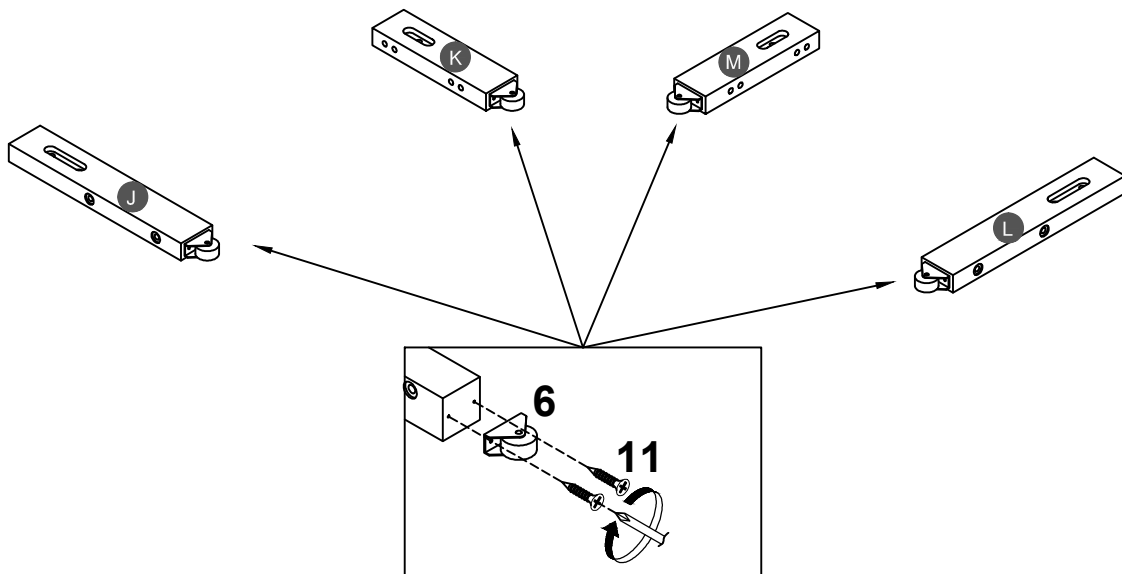


4PCS




11

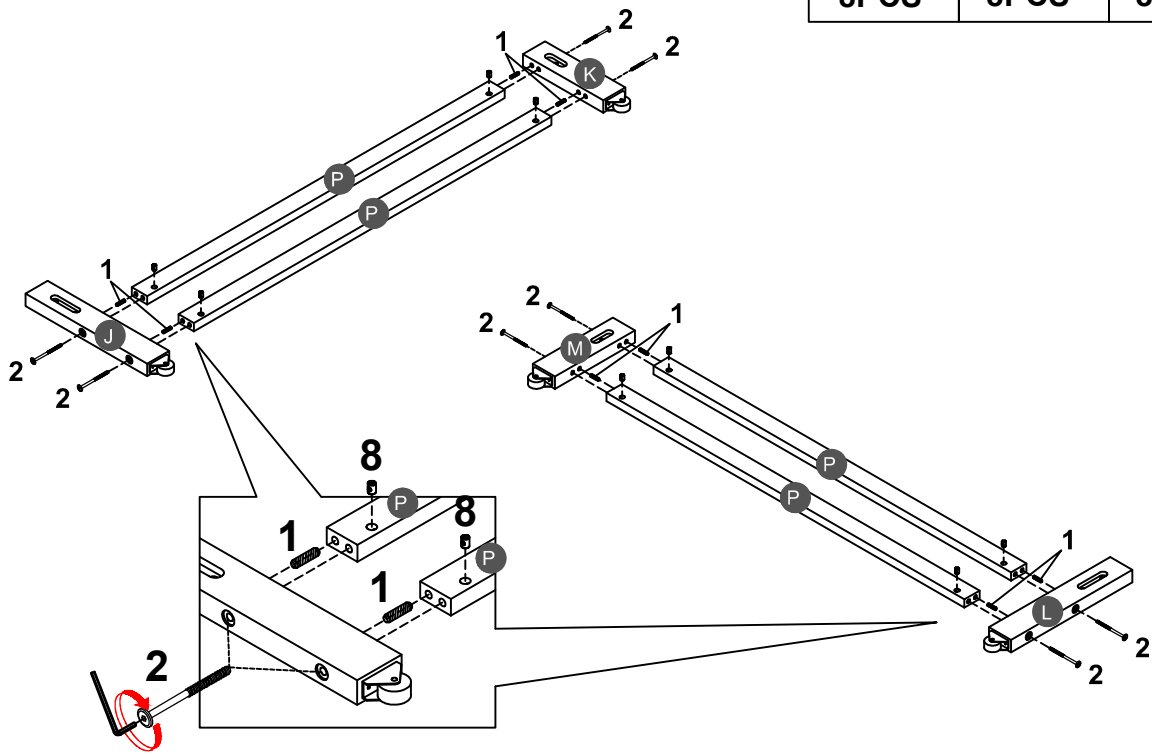


8PCS


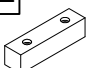


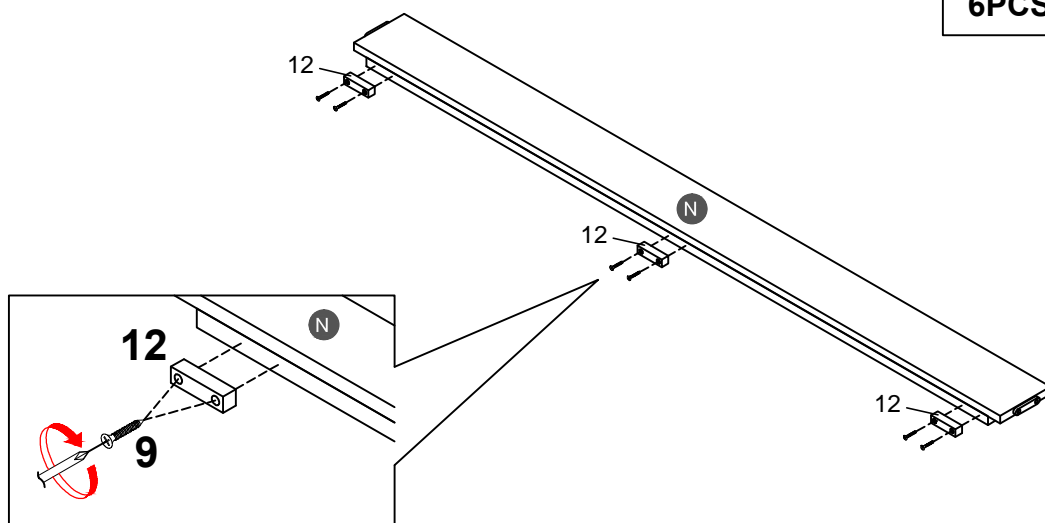
**STEP 7:**

<b>1</b> 	<b>2</b> 	<b>8</b> 
<b>8PCS</b>	<b>8PCS</b>	<b>8PCS</b>





**STEP 8:**

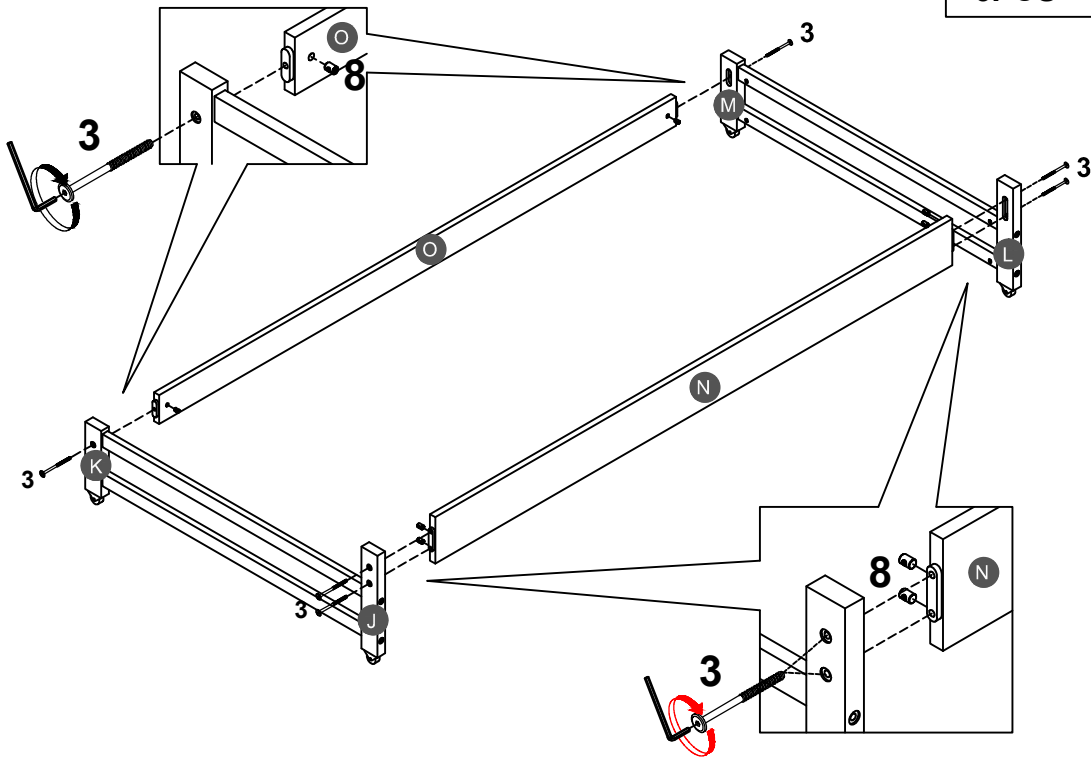
<b>9</b> 	<b>12</b> 
<b>6PCS</b>	<b>3PCS</b>




Drawer stopper (12) with lower side rail front (N) by using screw (9).

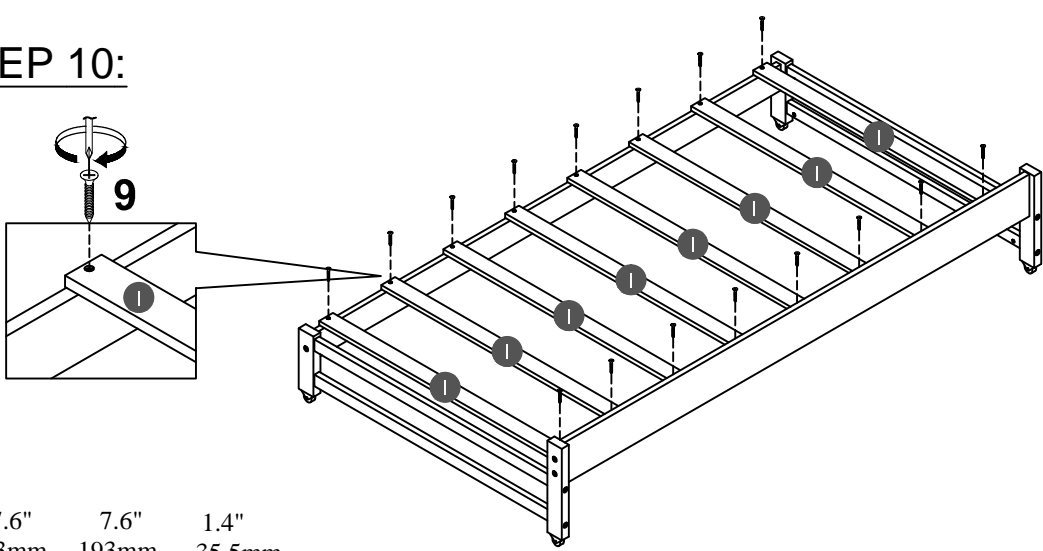
### STEP 9:

<b>3</b>		<b>8</b>	
<b>6PCS</b>		<b>6PCS</b>	

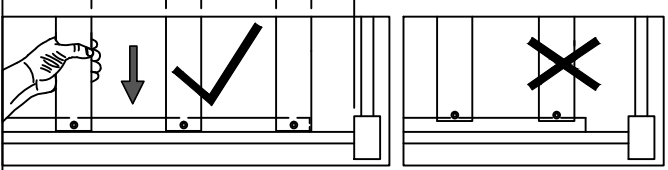


### STEP 10:

<b>9</b>	
<b>16PCS</b>	

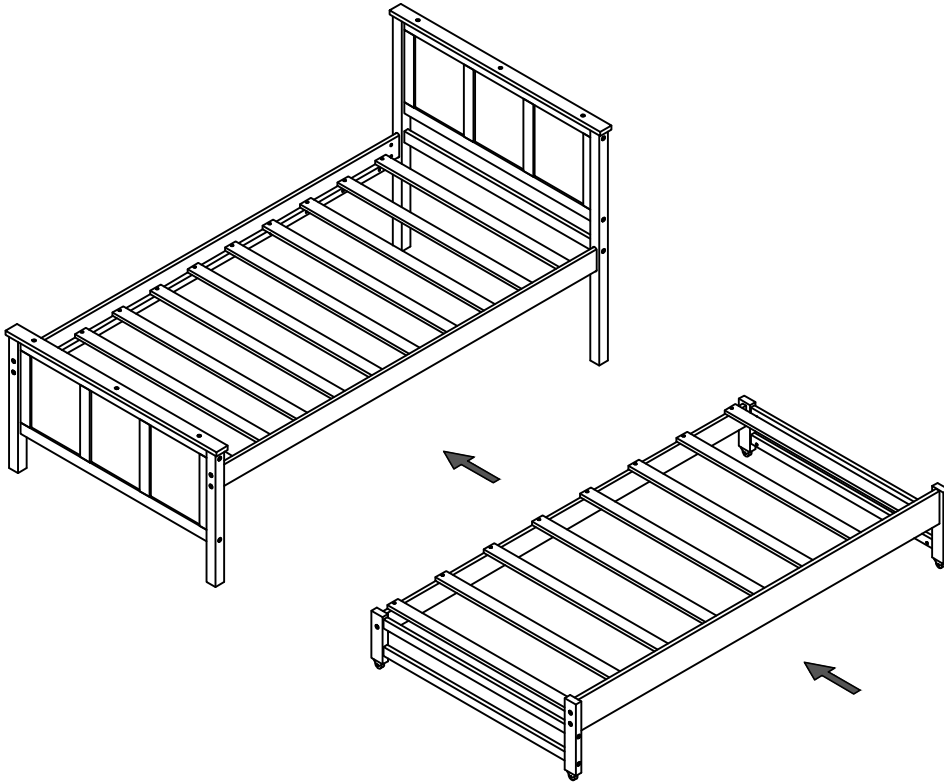


7.6" 193mm    7.6" 193mm    1.4" 35.5mm






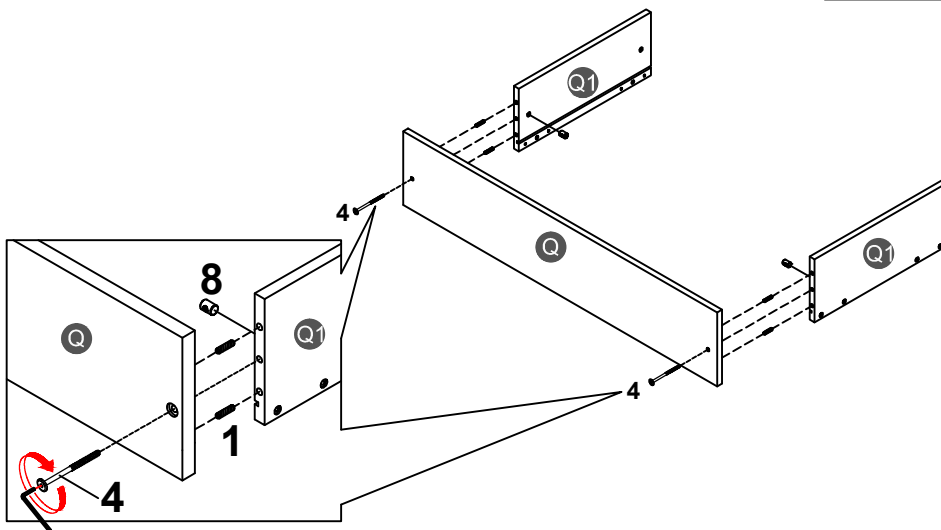
Note: Do not lock the screws of the bed slats to the outermost edge of the bed slats, you need to leave a certain space at the edges, otherwise it will cause the board to break. Do not lock the bed slats on the edge of the wood, please hold firmly before screwing, hold it in place with one hand, then lock the screw.

**STEP 11:**






**STEP 12:**

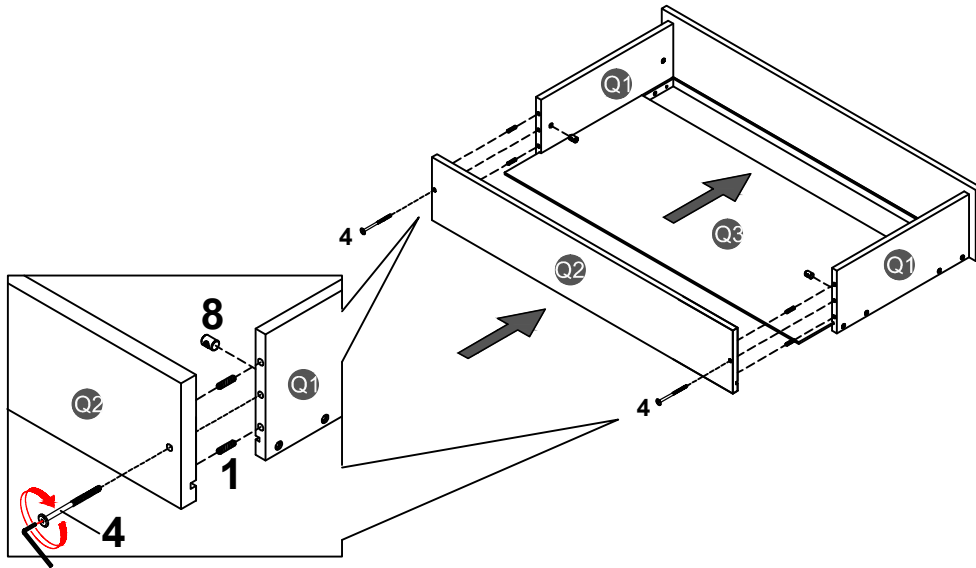
1		4		8	
<b>8PCS</b>		<b>4PCS</b>		<b>4PCS</b>	



**x 2**

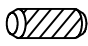

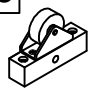
**STEP 13:**

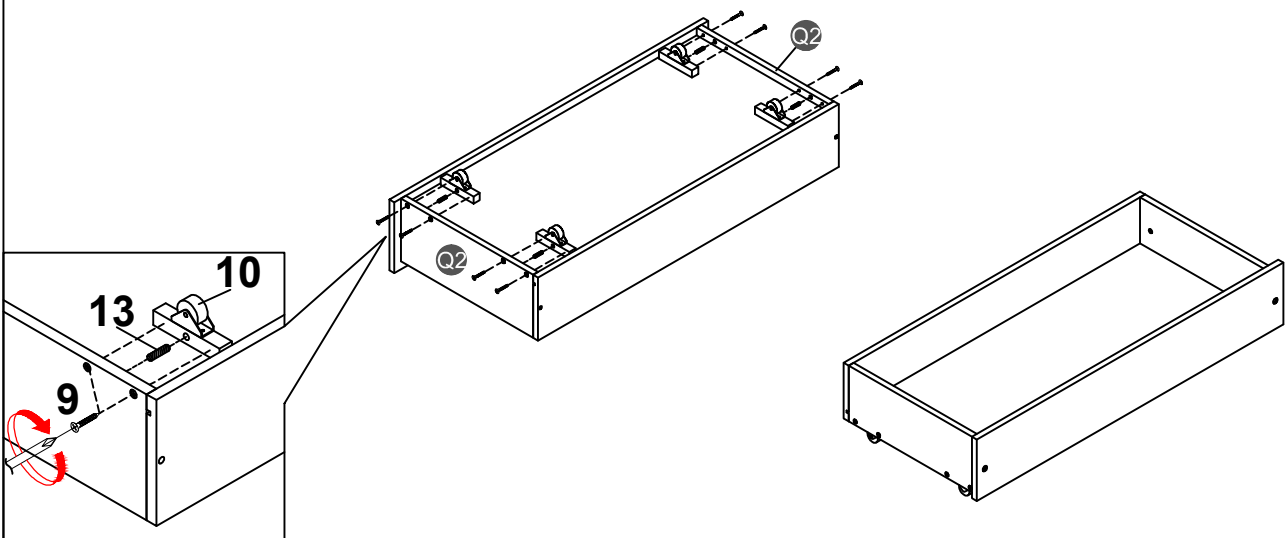
<b>1</b>		<b>4</b>		<b>8</b>	
<b>8PCS</b>		<b>4PCS</b>		<b>4PCS</b>	



**x 2**

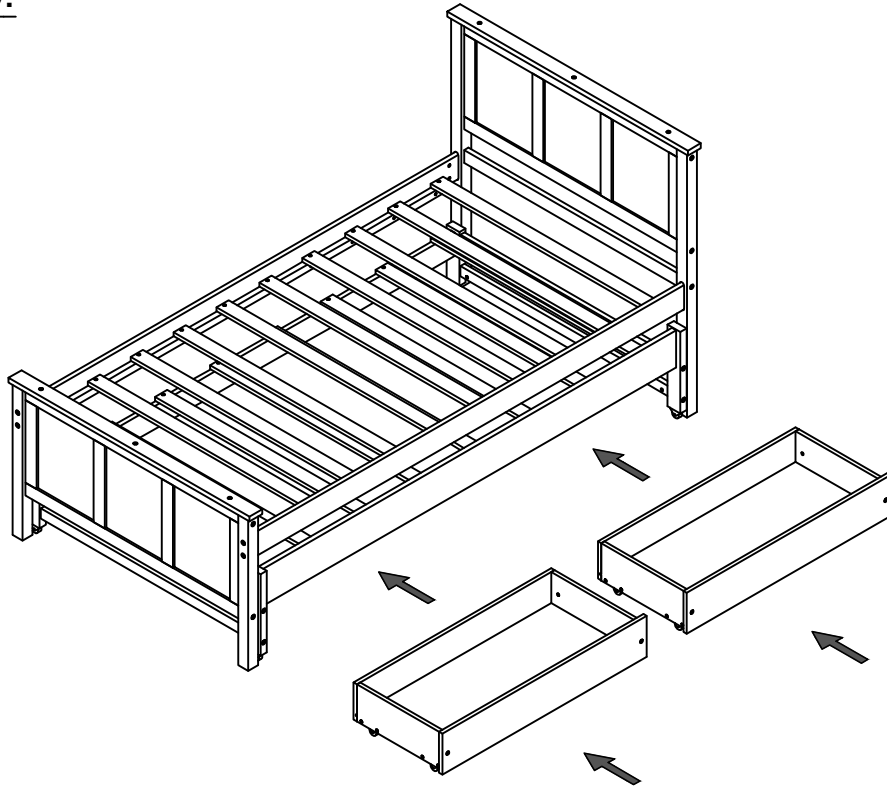
**STEP 14:**

<b>13</b>		<b>9</b>		<b>10</b>	
<b>8PCS</b>		<b>16PCS</b>		<b>8PCS</b>	



**x 2**

STEP 15:



Push Drawer under the bottom of Twin Bed.

