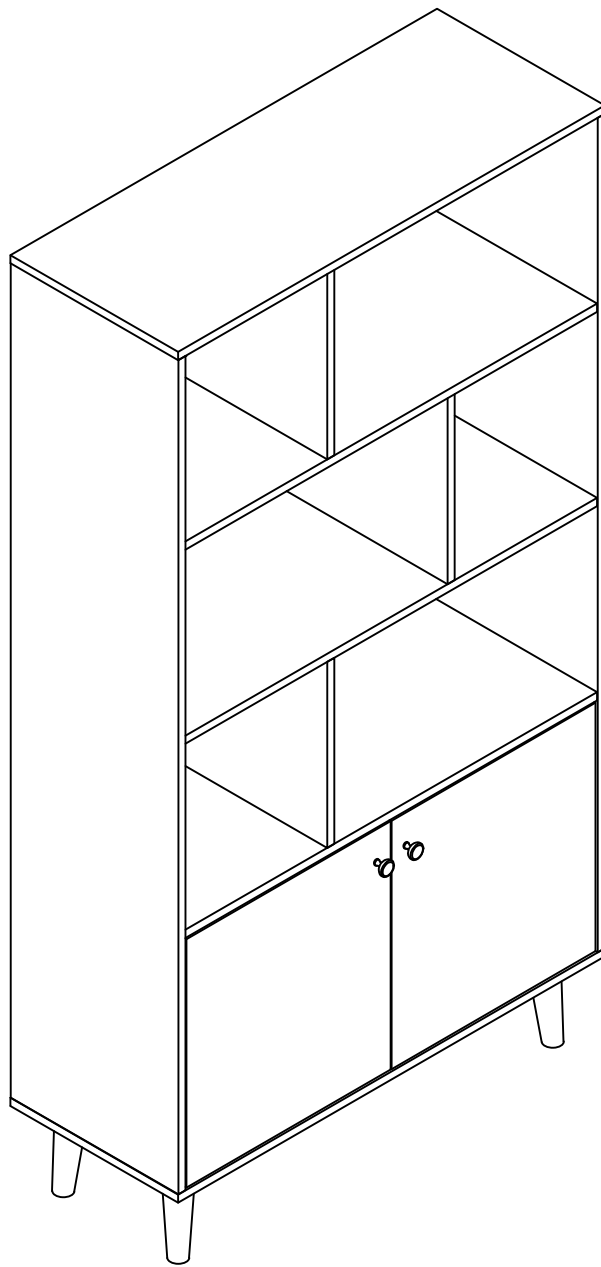


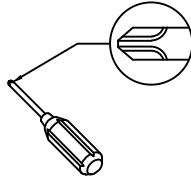
# ASSEMBLY INSTRUCTIONS

## BOOKCASE

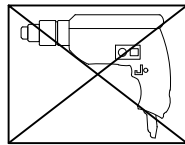


# General Assembly Guidelines

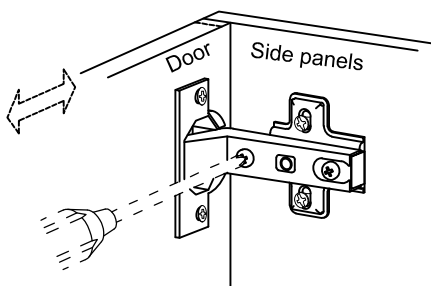
- I. Ensure that all parts and hardware are available before beginning assembly.
- II. Follow each step carefully to ensure the proper assembly of this product.
- III. Two people are recommended for ease in the assembly of this product.
- IV. The three main types of hardware used to assemble this product are : wood dowels , screws and bolts.
- V. A Phillips head screwdriver is required for the assembly of this product .



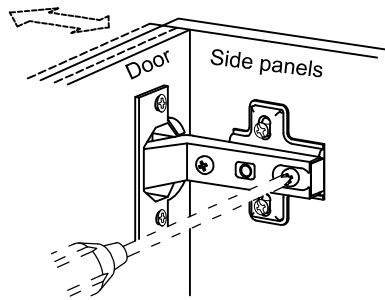
- VI. Power tools should not be used to assemble this product .



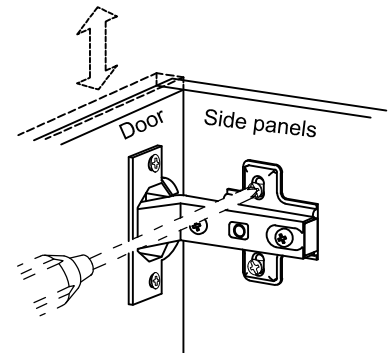
- VII. Concealed hinges are three-way adjustable.



Horizontal  
by screw adjustment



In-and-Out  
by loosening the hinge-arm  
mounting screw or via cam  
adjustment



Vertical  
Via slots in the mounting  
plate or via cam adjustment

 **WARNING**

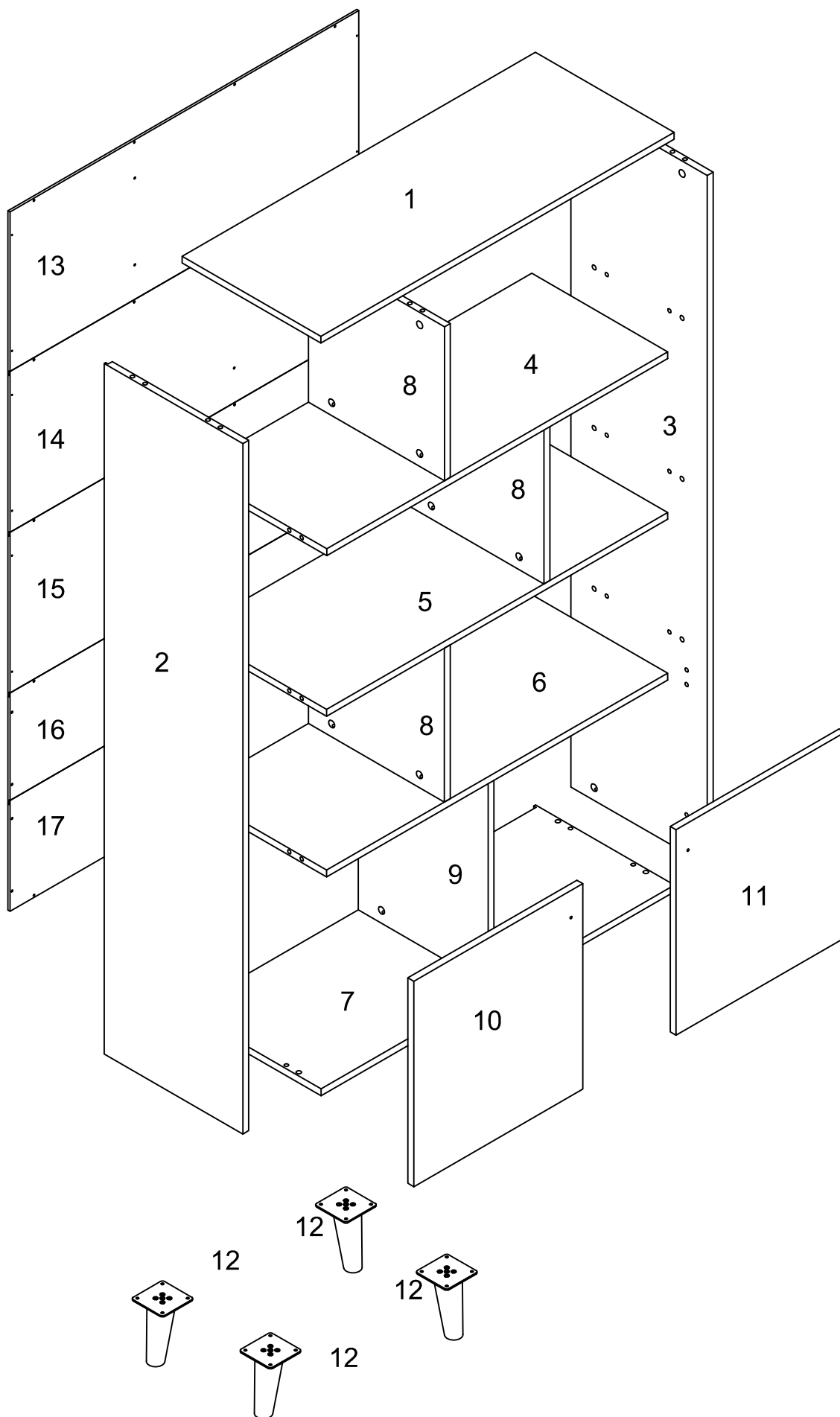
Serious or fatal injuries can occur from furniture tip-over.

To help prevent furniture tip-over:


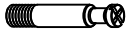

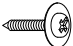
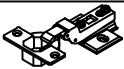










- 1/ It is recommended to use mounting hardware to secure furniture to the wall. This may reduce but not eliminate the risk of furniture tip-over.
- 2/ Do not allow children to climb on furniture.
- 3/ Keep remote controls, toys and other items that might attract children off from this product.
- 4/ Do not allow children to step on furniture.
- 5/ Unless specifically designed to accommodate , do not set televisions or other heavy objects on top of this product.

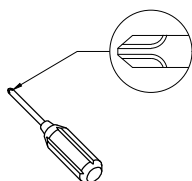
Caution:Do not allow door stay open when moving furniture.

# Parts List



# Hardware List

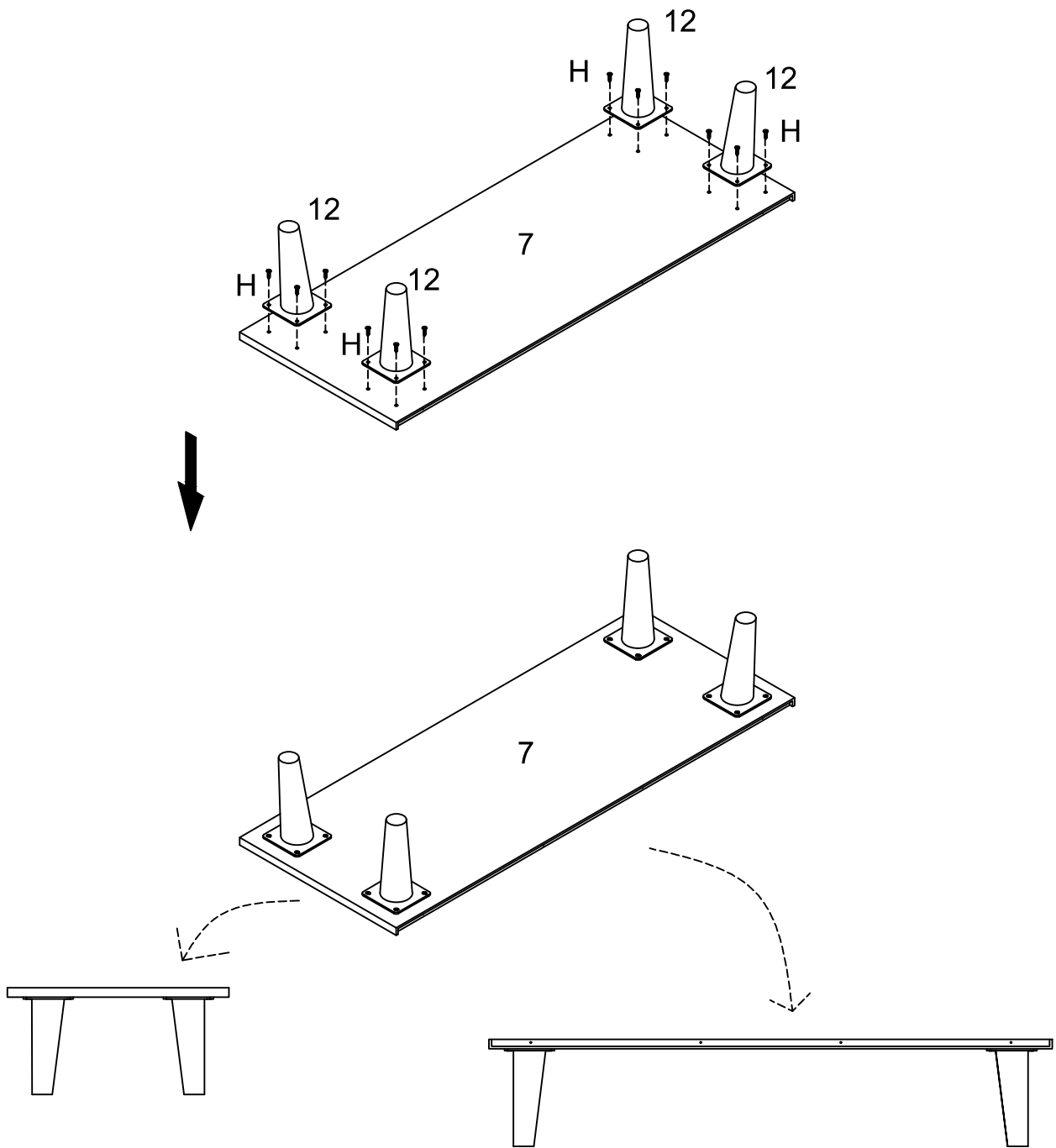
A		M8*30(mm)	Wooden dowel	36 pcs
B		M6*32(mm)	Cam bolt	36 pcs
C		Ø15*9.5	Cam lock	36 pcs
D		M3*14(mm)	Screw	50 pcs
E			Hinge	4 pcs
F		Ø30	Sticker	36 pcs
G		Ø4x12	Screw	16 pcs
H		M3.5*14mm	Screw	16 pcs
I			Handle	2 pcs
J		Ø4x18mm	Handle Screw	2 pcs
K	K1		42*20*9MM	2 pcs
	K2		Ø3.5*16	Screw 2 pcs
	K3		Ø3.5*30	Screw 2 pcs
	K4			plug 2 pcs
	K5			nylon strap 1 pcs



Philips head screwdriver required for assembly  
(not included)

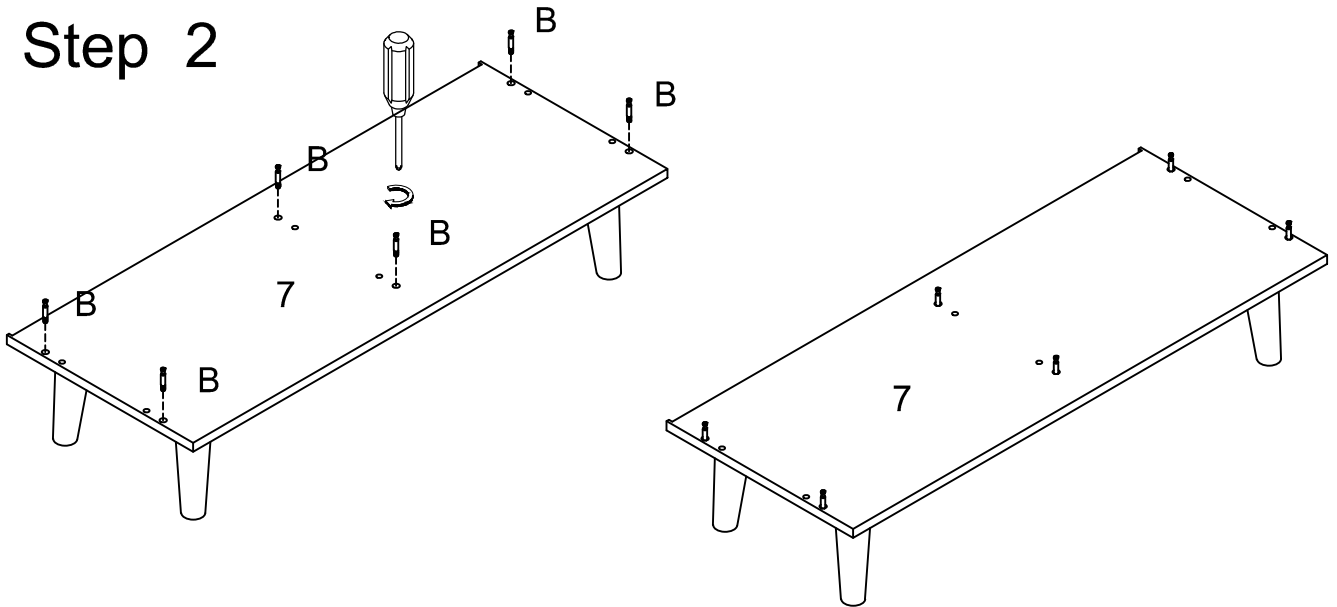
*The hardware quantities listed above are required for proper assembly.  
Some extra hardware may also have been included.*

# Step 1



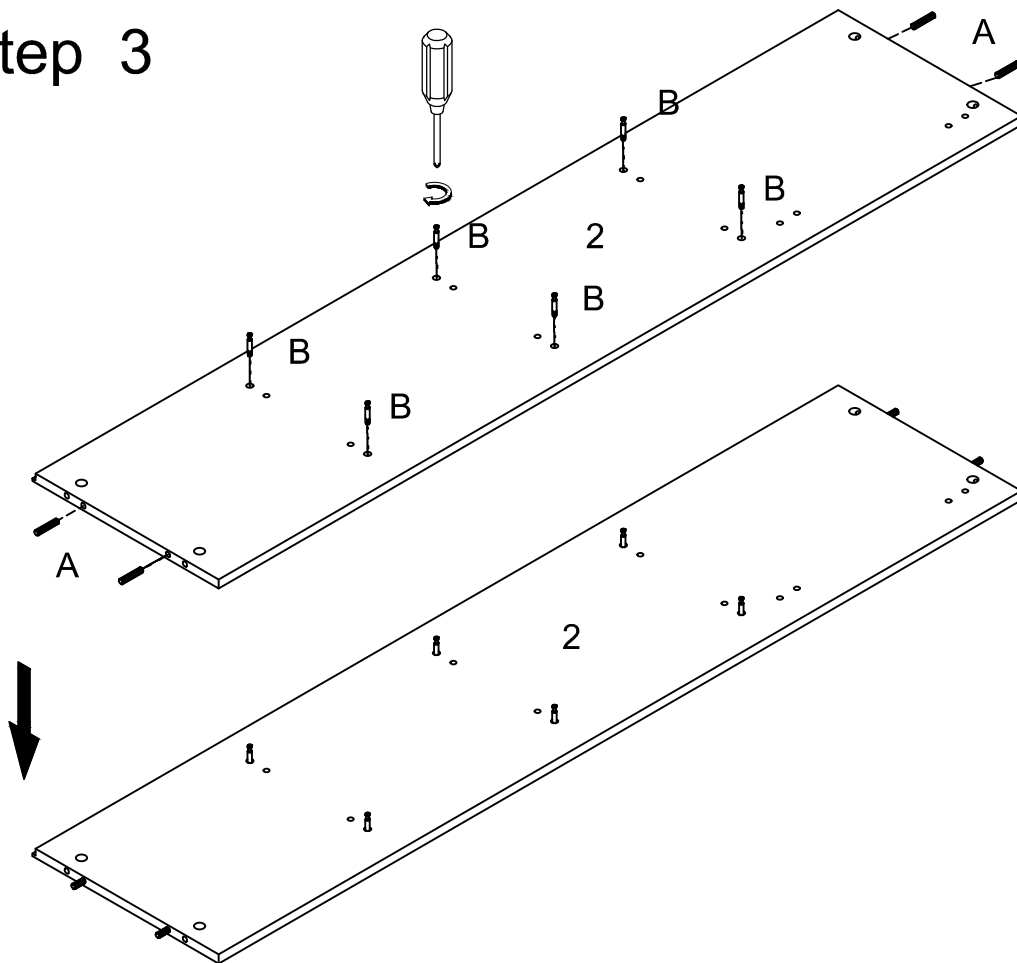
Attach legs (12) to bottom panel (7) using screws (H).

## Step 2



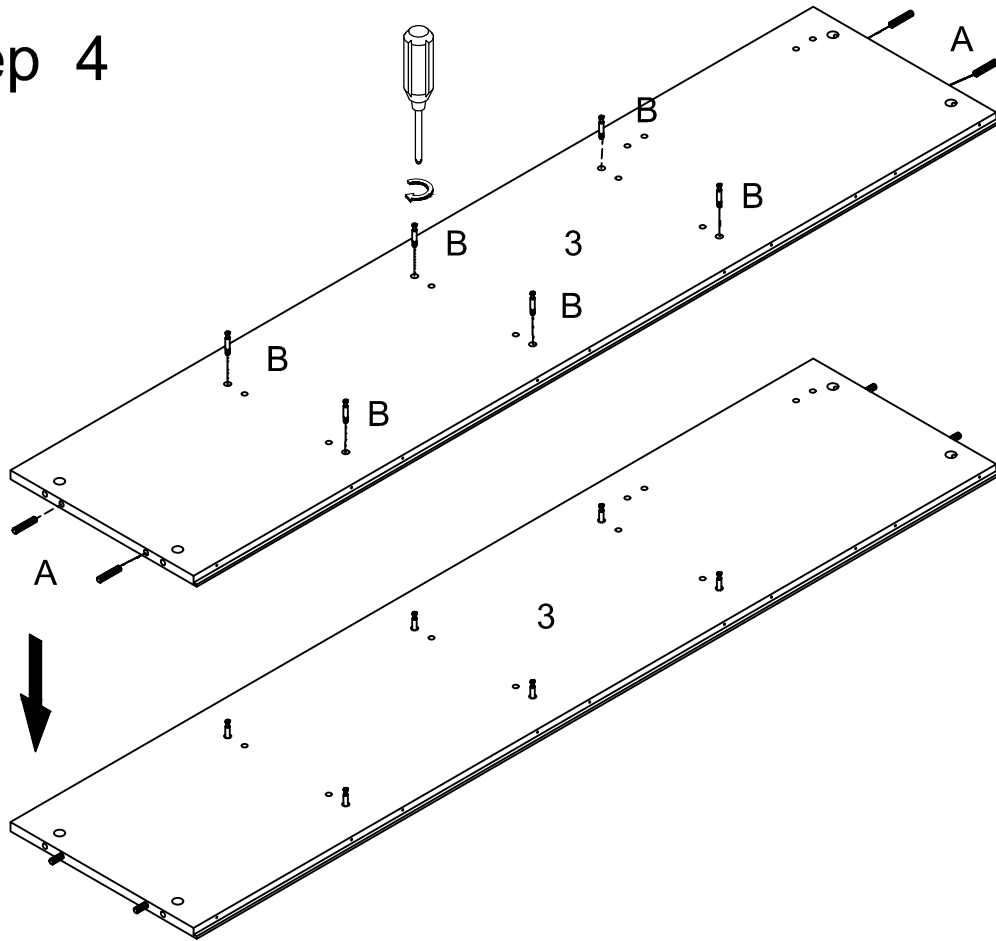
Screw cam bolts (B) into panel (7);

## Step 3



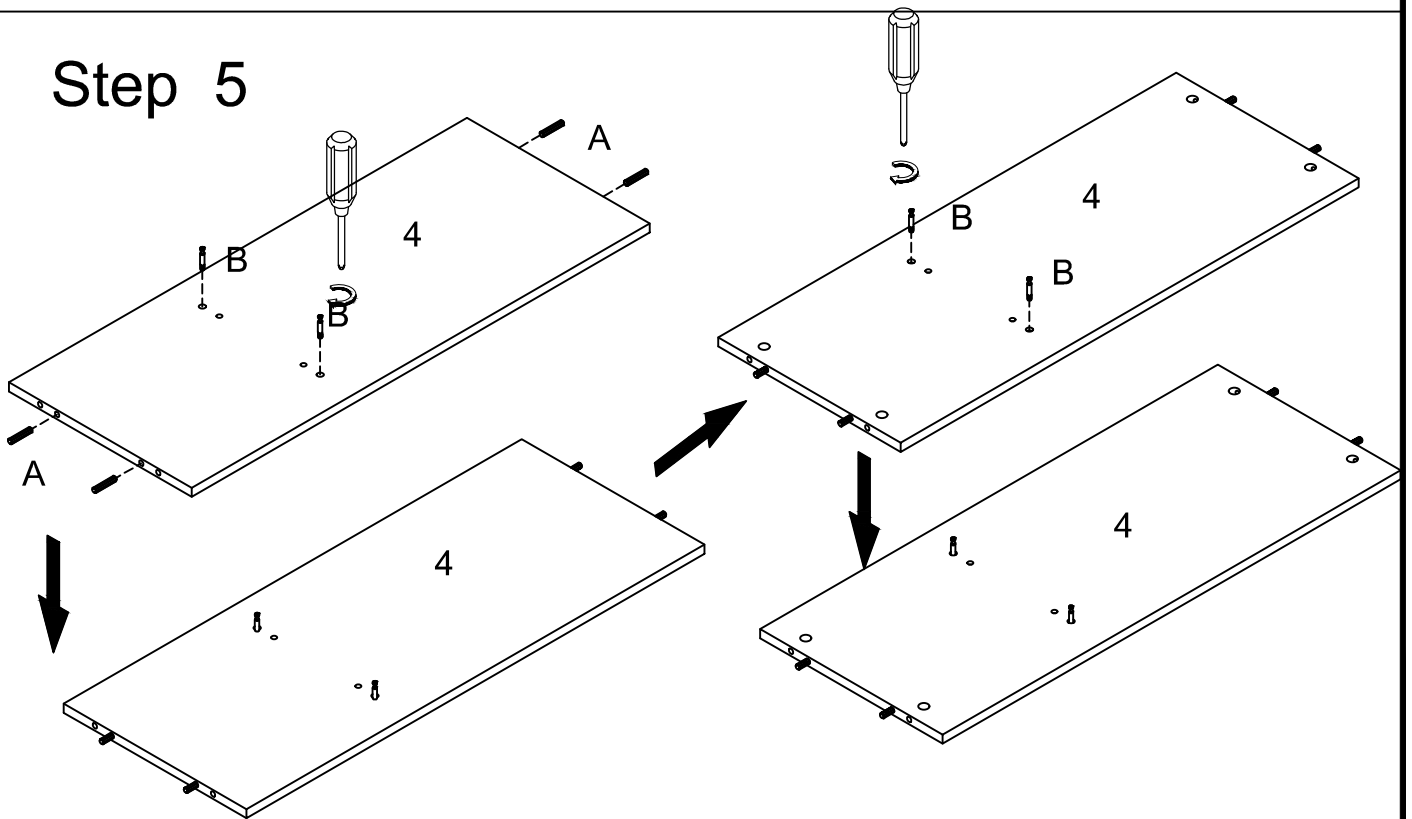
Screw cam bolts (B) into panel (2), Insert dowels (A) into panels (2);

## Step 4



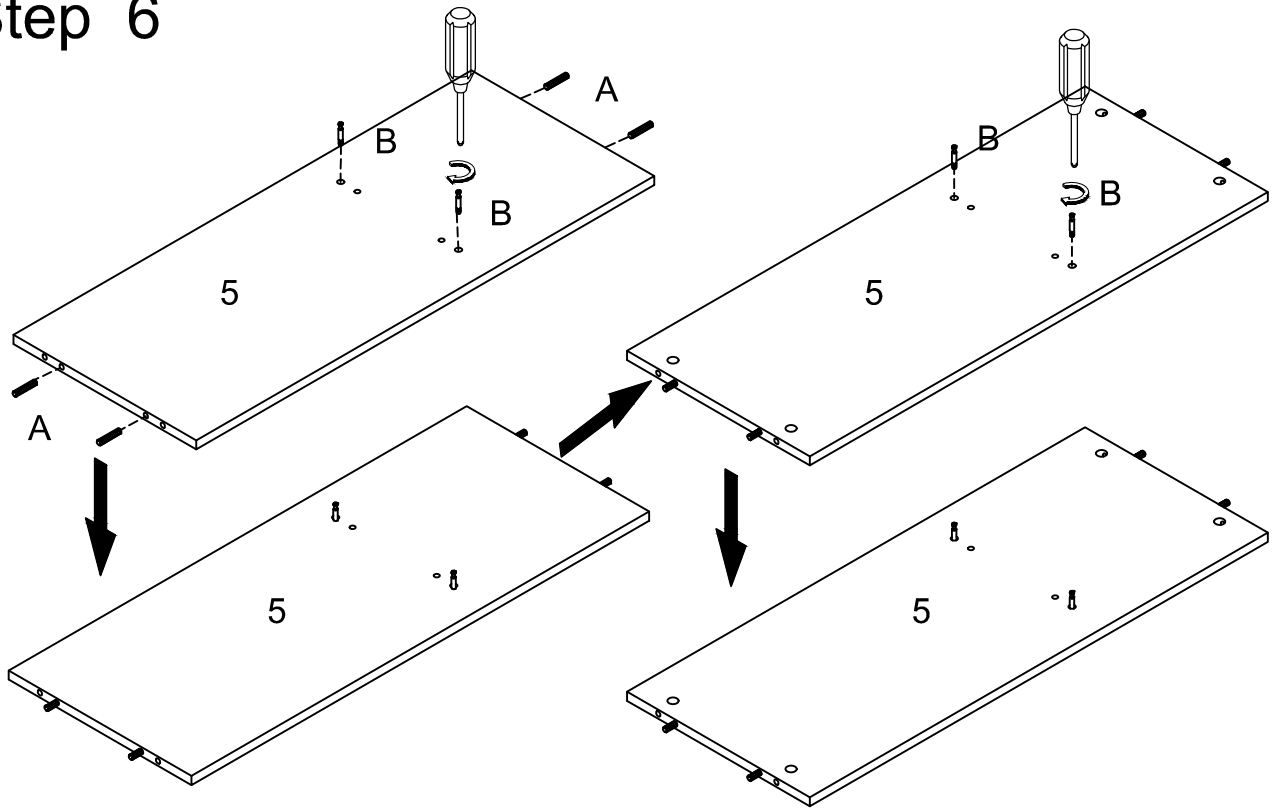
Screw cam bolts (B) into panel (3), Insert dowels (A) into panels (3);

## Step 5



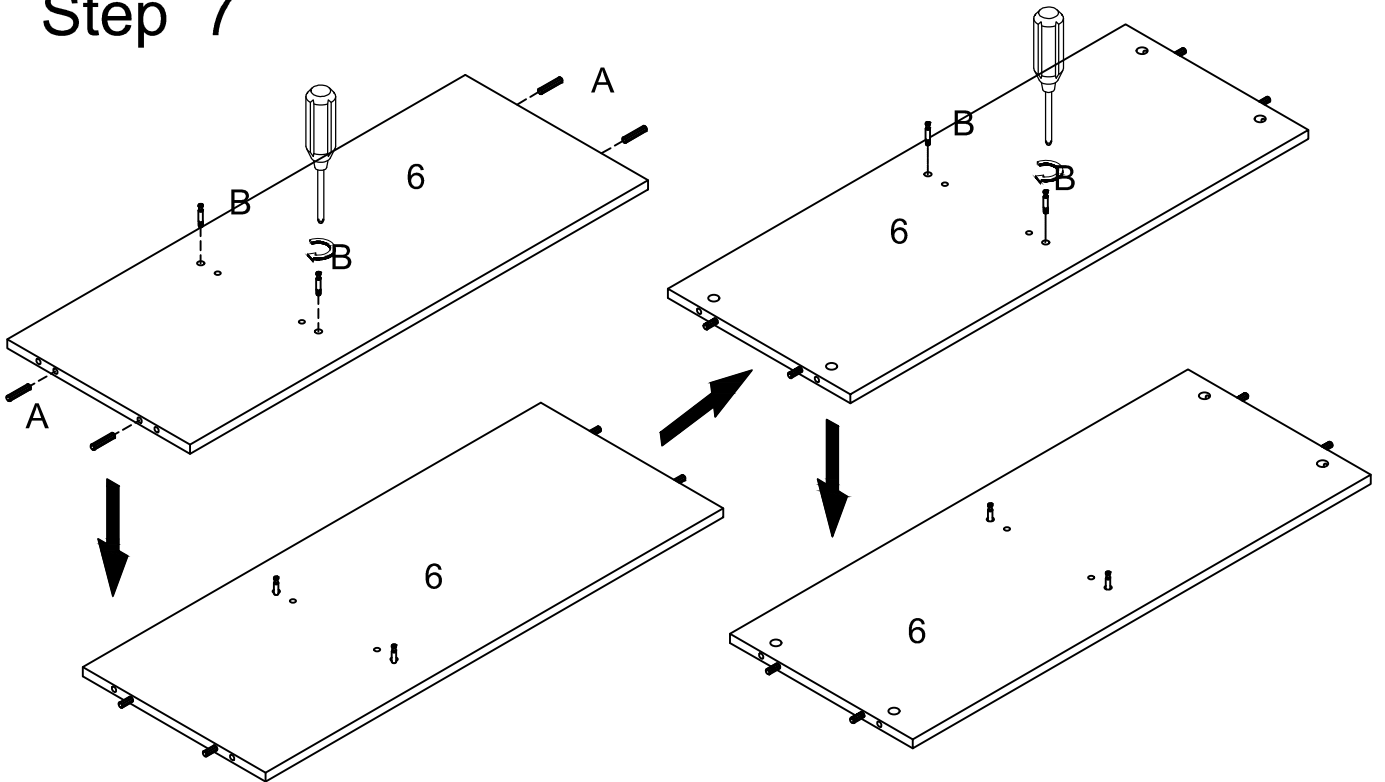
Screw cam bolts (B) into panel (4), Insert dowels (A) into panels (4);

## Step 6



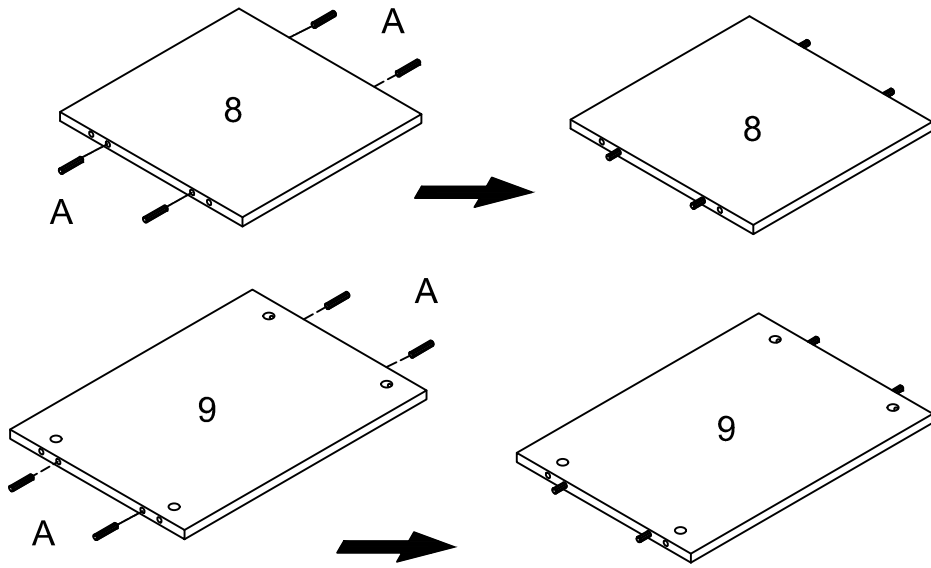
Screw cam bolts (B) into panel (5), Insert dowels (A) into panels (5);

## Step 7



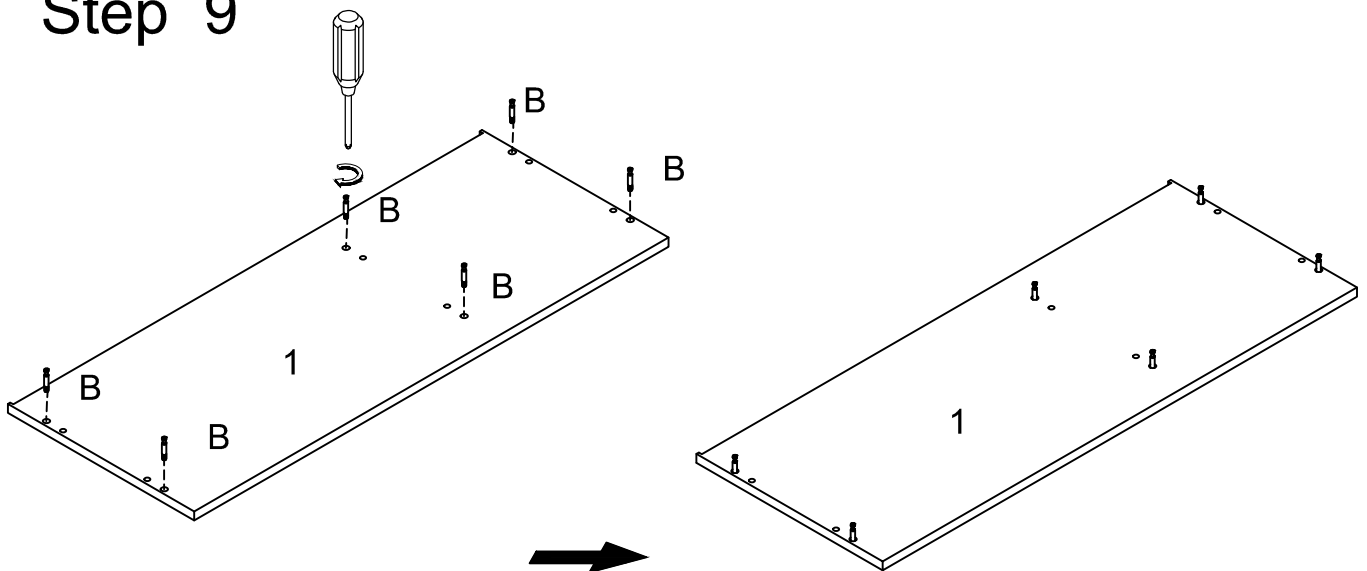
Screw cam bolts (B) into panel (6), Insert dowels (A) into panels (6);

## Step 8



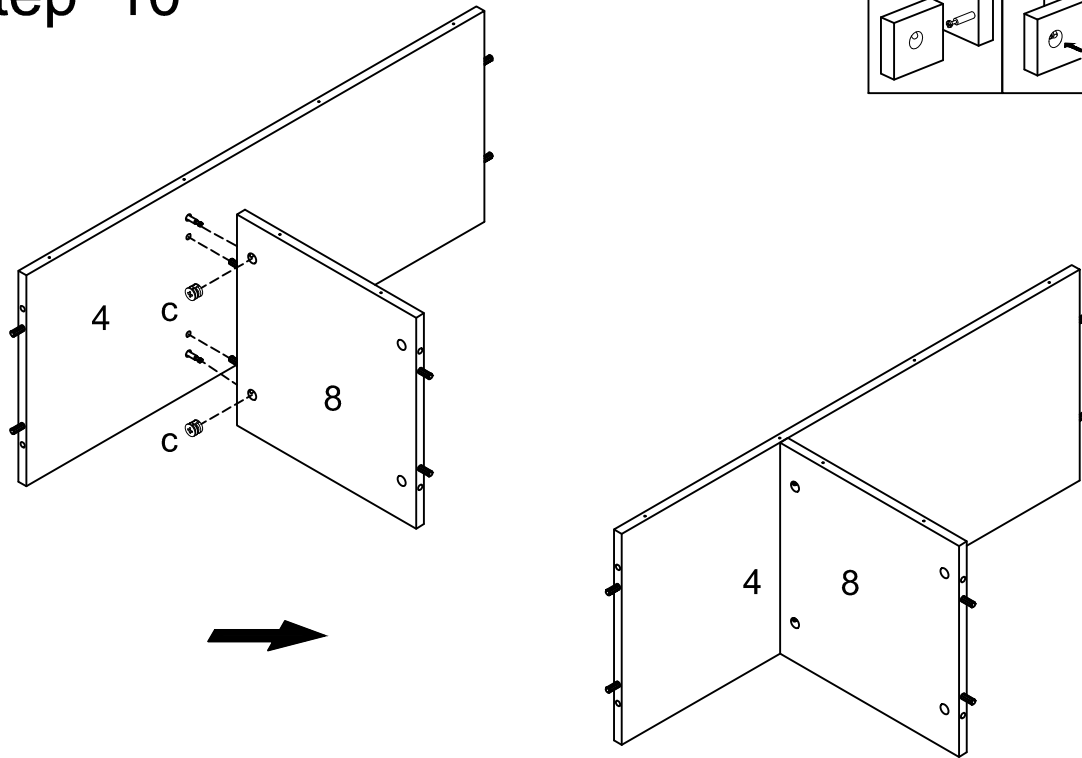
Insert dowels (A) into panels (8,9);

## Step 9



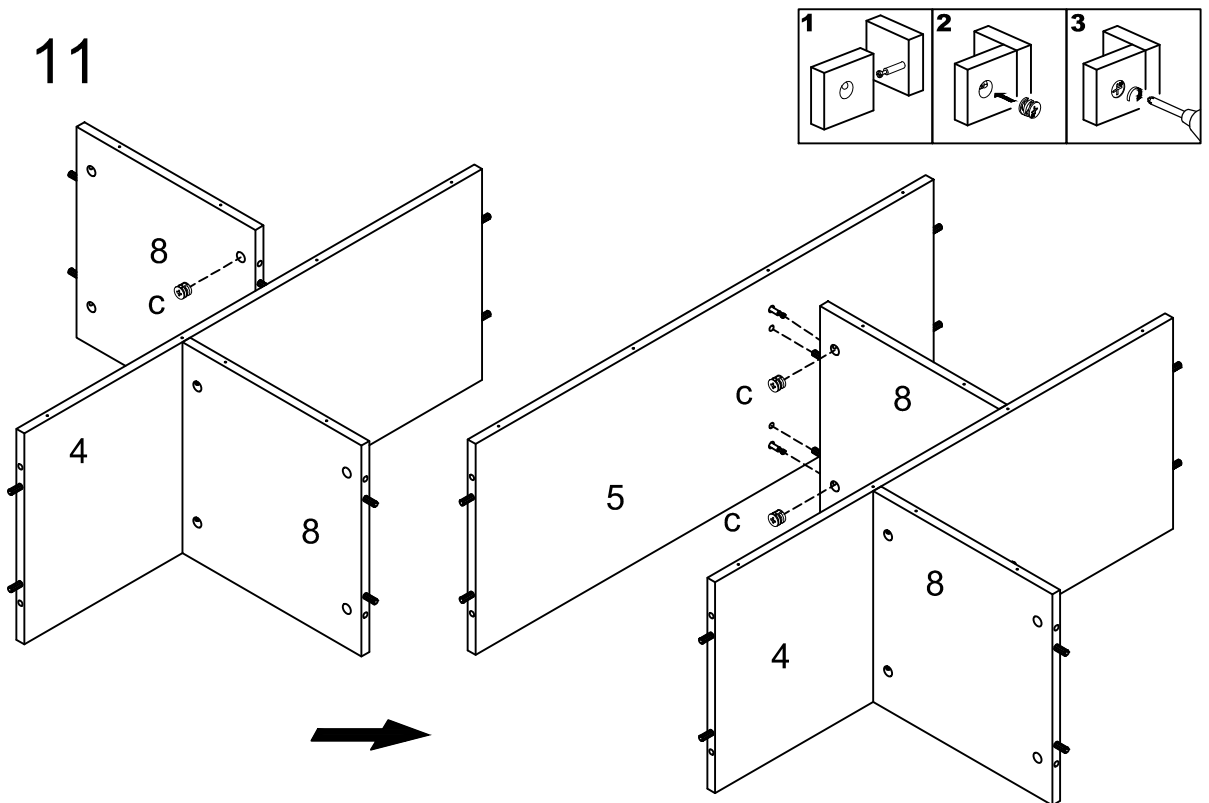
Screw cam bolts (B) into panel (1);

## Step 10



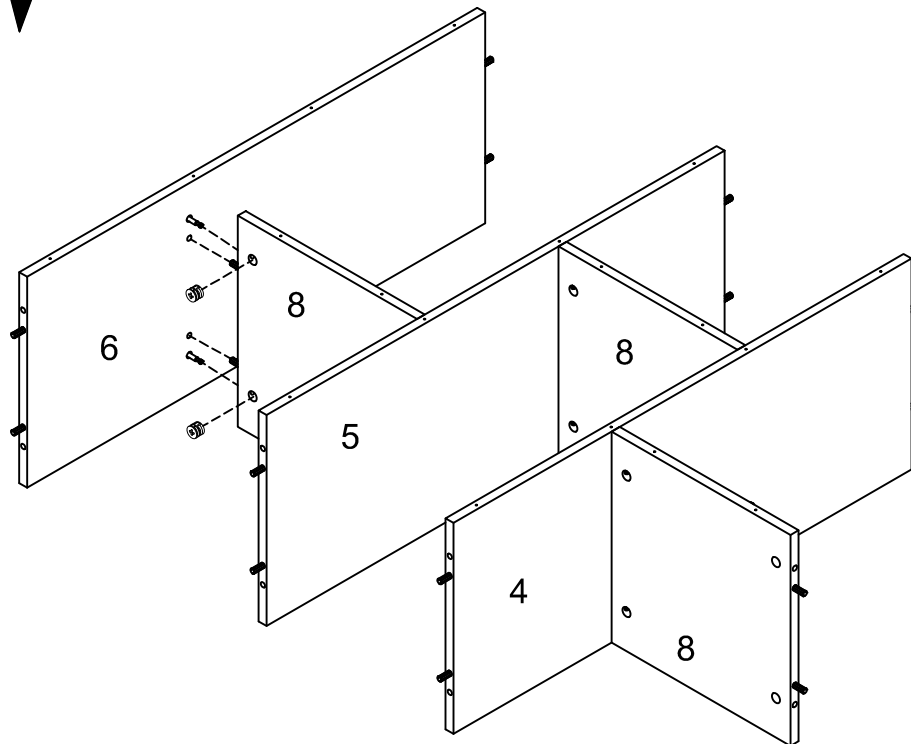
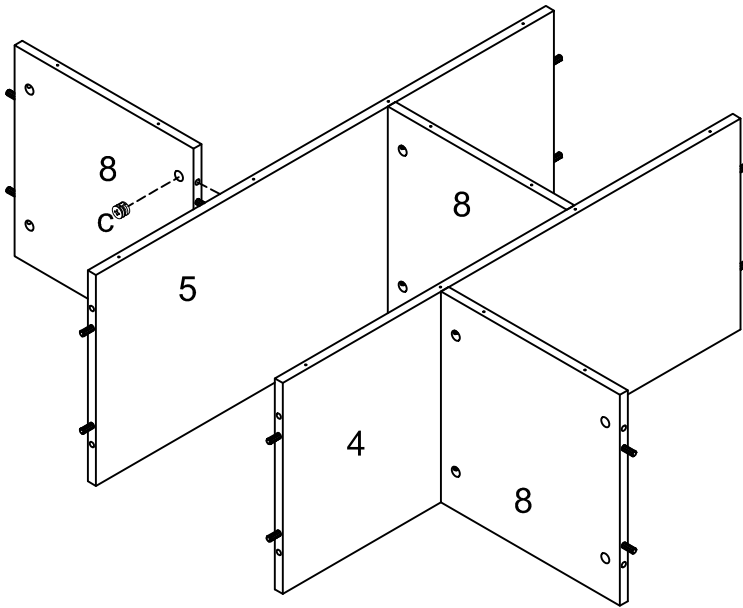
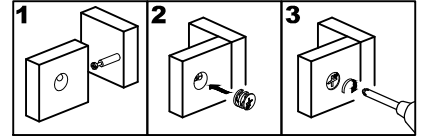
Attach panel (8) to panel (4) using cam bolts (B) and dowels (A) as guided ;  
Insert cam lock (C) into panel (8) tighter with a screwdriver;

## Step 11



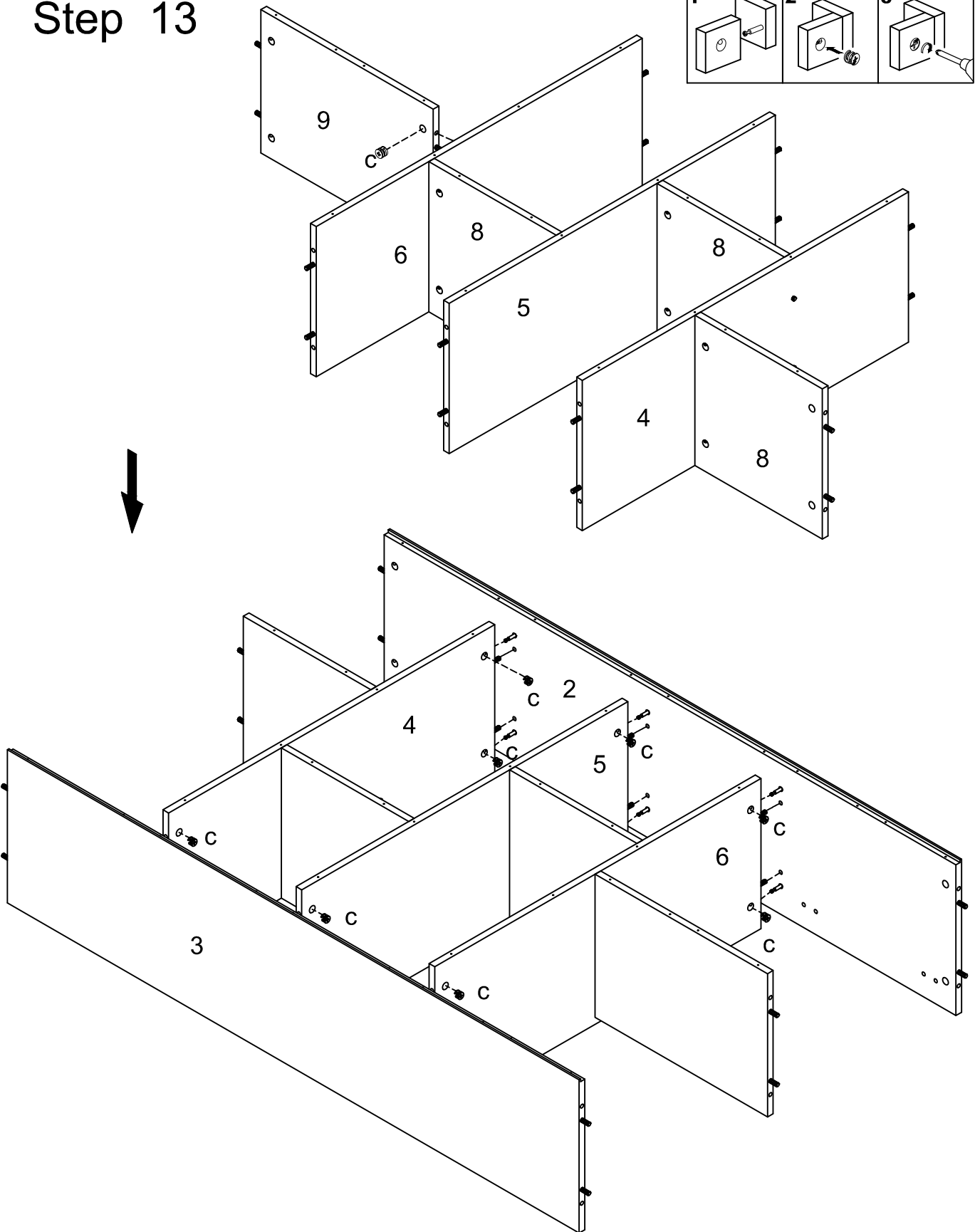
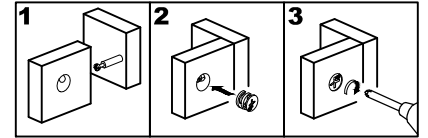
1/ Attach panel (8) to panel (4) using cam bolts (B) and dowels (A) as guided ;  
Insert cam lock (C) into panel (8) tighten with a screwdriver;  
2/ Attach panel (5) to panel (8) using cam bolts (B) and dowels (A) as guided ;  
Insert cam lock (C) into panel (8) tighten with a screwdriver;

# Step 12



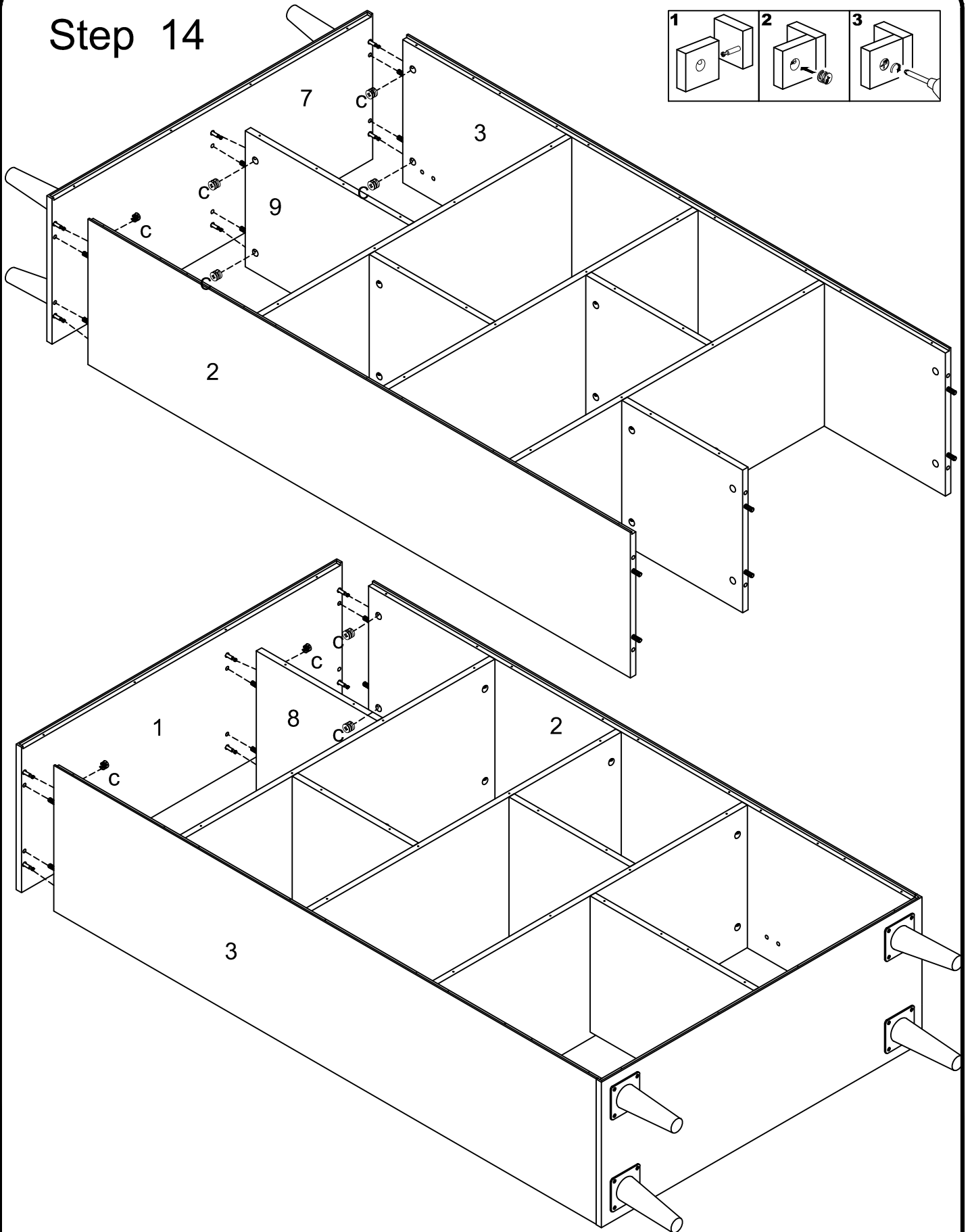
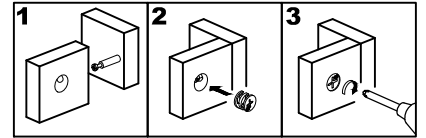
- 1/ Attach panel (8) to panel (5) using cam bolts (B) and dowels (A) as guided ;  
Insert cam lock (C) into panel (8) tighten with a screwdriver;
- 2/ Attach panel (6) to panel (8) using cam bolts (B) and dowels (A) as guided ;  
Insert cam lock (C) into panel (8) tighten with a screwdriver;

# Step 13



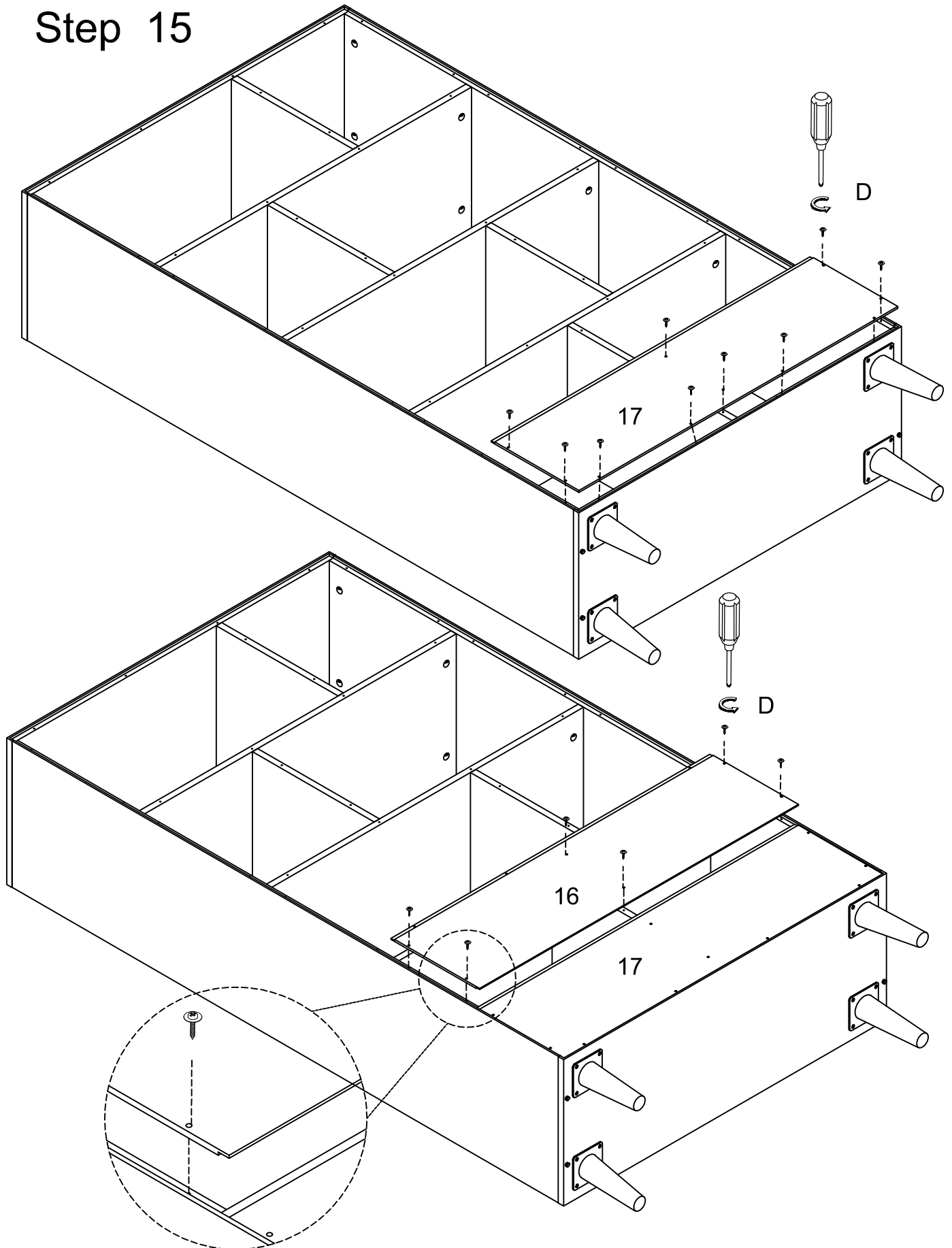
- 1/ Attach panel (9) to panel (6) using cam bolts (B) and dowels (A) as guided ;  
Insert cam lock (C) into panel (9) tighten with a screwdriver;
- 2/ Join panels (2,3) together with panel (4,5,6) using cam bolts (B) and dowels (A) as guided ;  
Insert cam lock (C) into panel (4,5,6) tighten with a screwdriver;

# Step 14



- 1/ Attach panel (7) to panels (2,3,9) using cam bolts (B) and dowels (A) as guided ;  
Insert cam lock (C) into panel (2,3,9) tighten with a screwdriver;
- 2/ Attach panel (1) to panels (2,3,8) using cam bolts (B) and dowels (A) as guided ;  
Insert cam lock (C) into panel (2,3,8) tighten with a screwdriver;

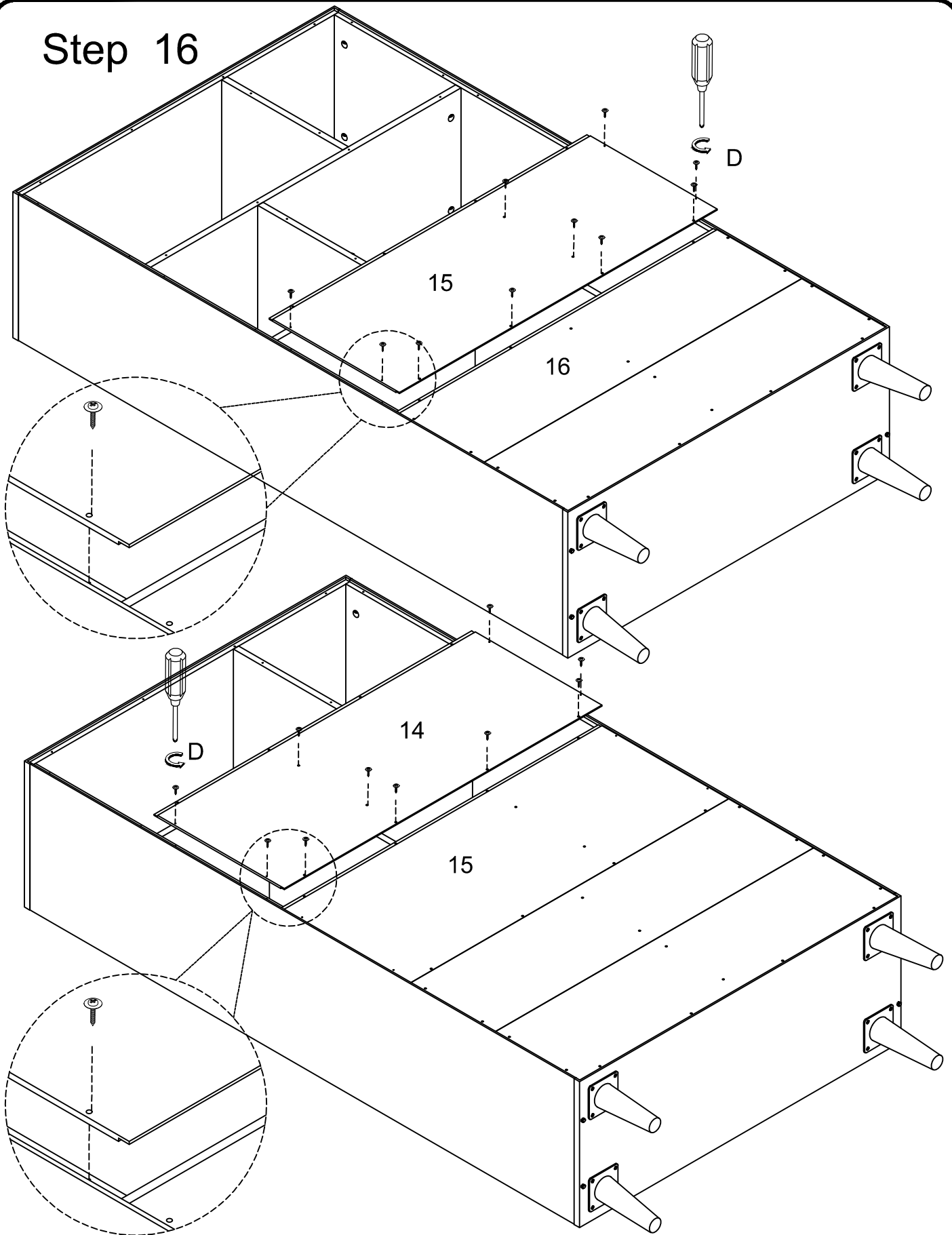
## Step 15



1/ Attach back panel (17) to the back of the console using screws (D).

2/ Attach back panel (16) to the back of the console using screws (D). Back panel (16) will overlap the back panels(17) as shown in insert above.

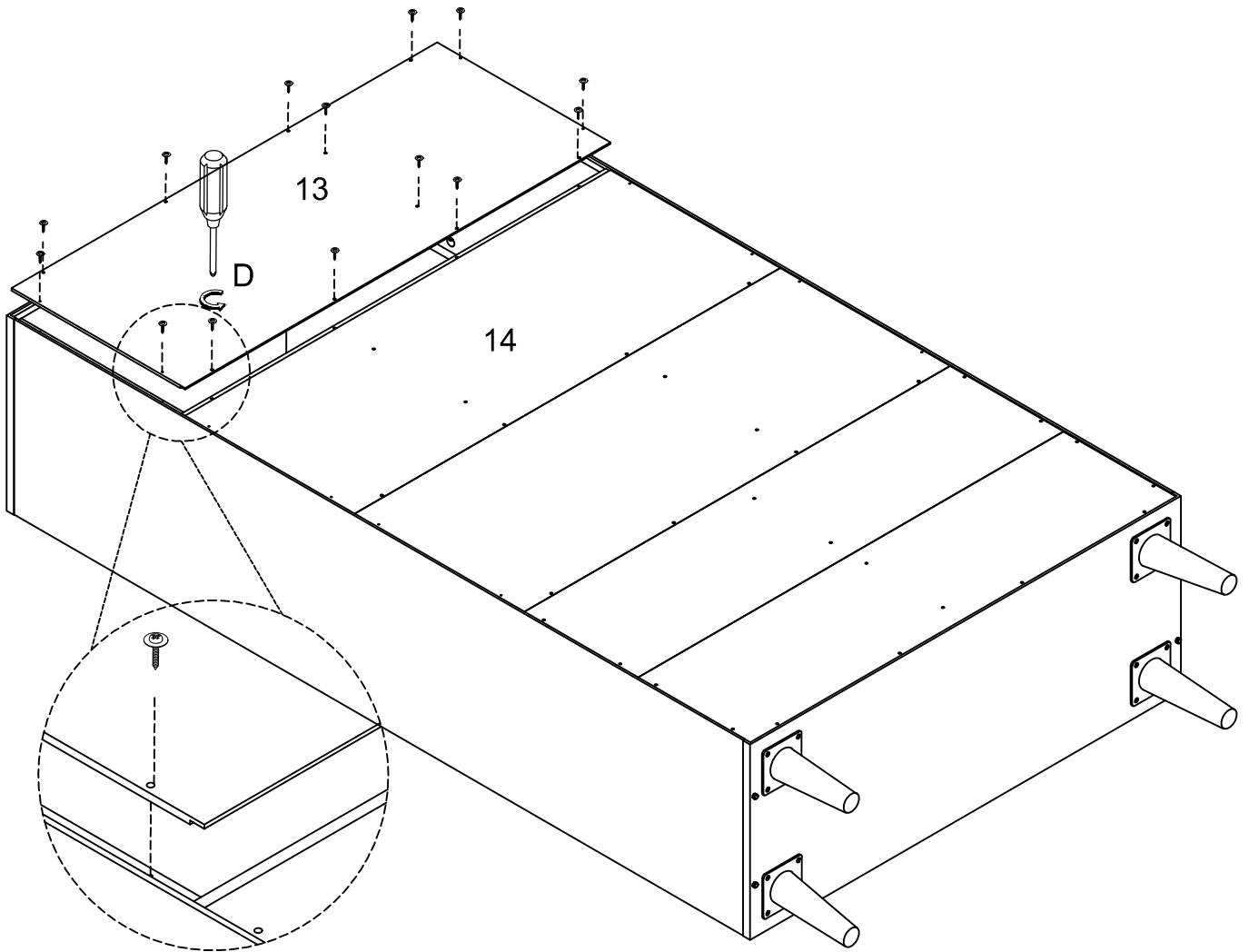
## Step 16



1/ Attach back panel (15) to the back of the console using screws (D). Back panel (15) will overlap the back panels(16) as shown in insert above.

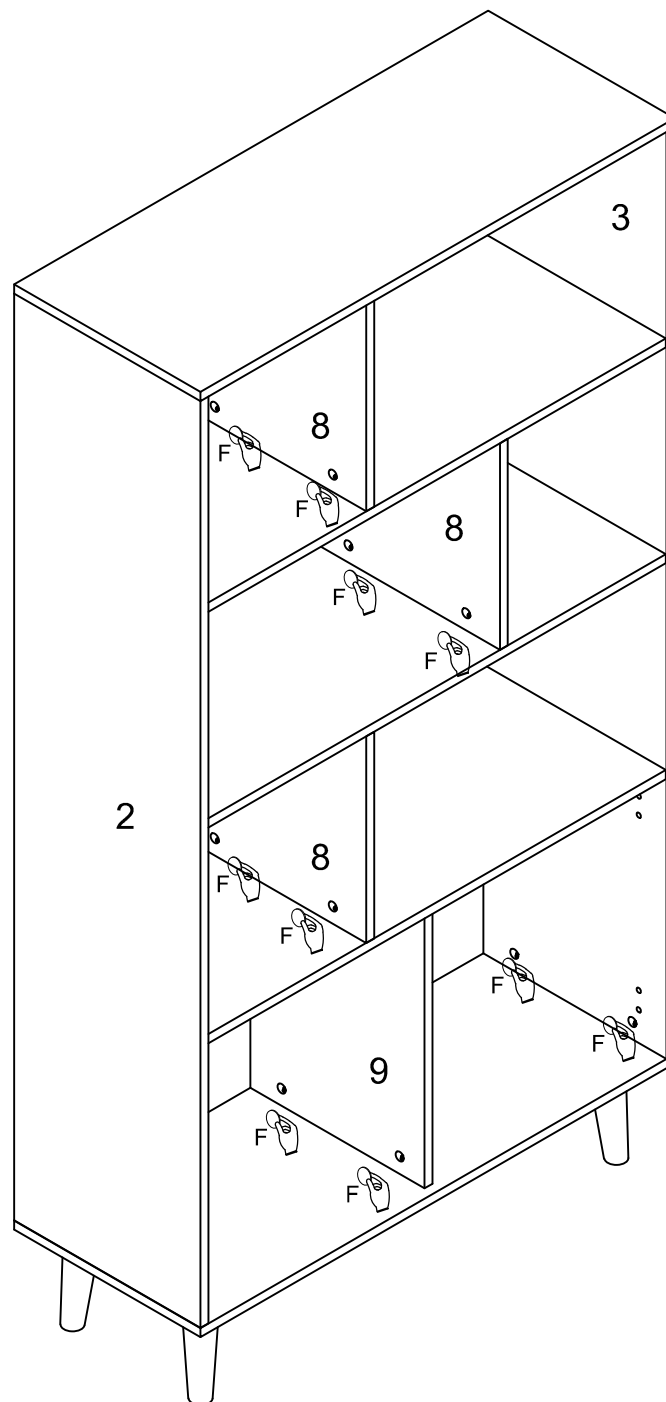
2/ Attach back panel (14) to the back of the console using screws (D). Back panel (14) will overlap the back panels(15) as shown in insert above.

## Step 17



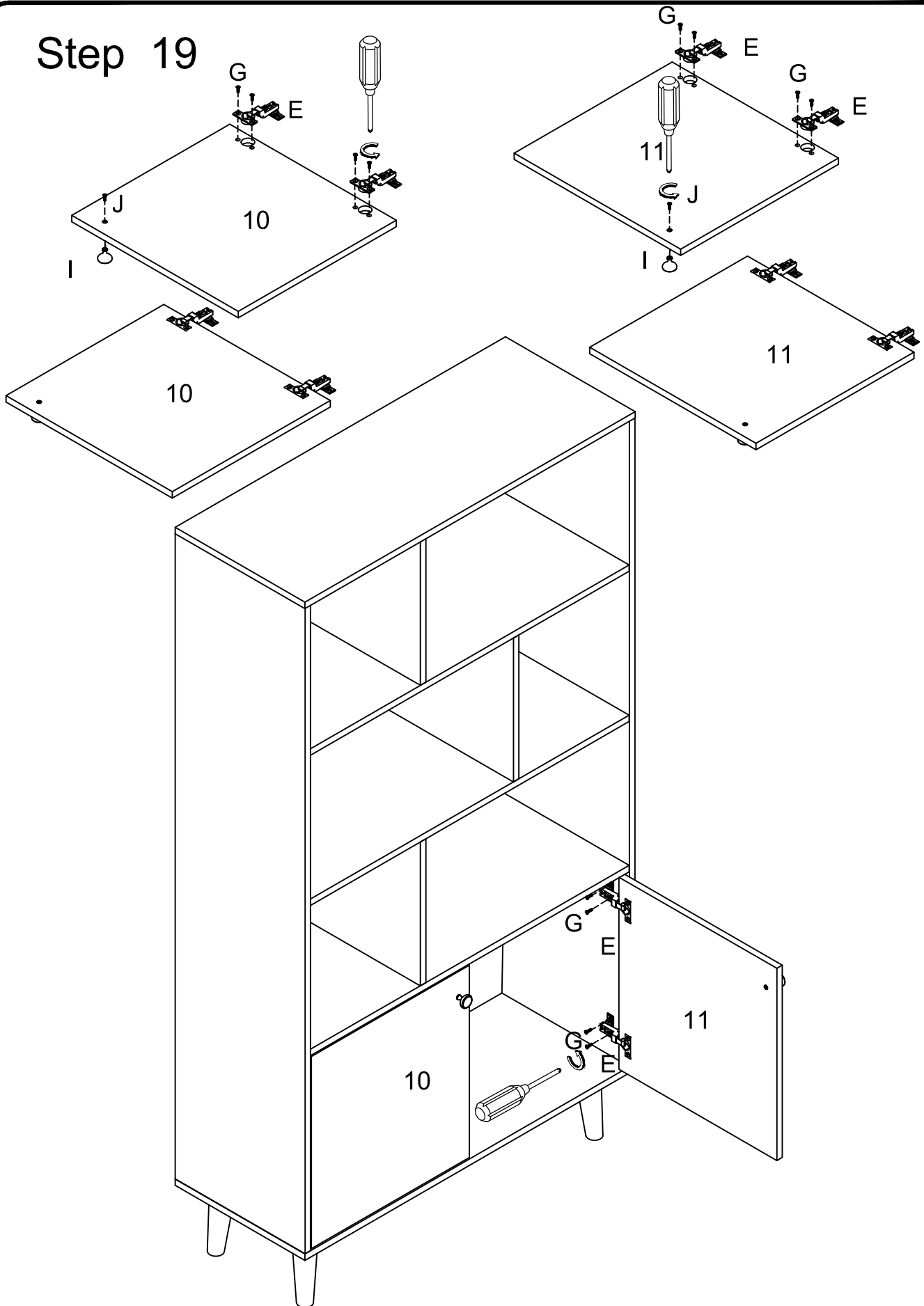
1/ Attach back panel (13) to the back of the console using screws (D). Back panel (13) will overlap the back panels(14) as shown in insert above.

# Step 18



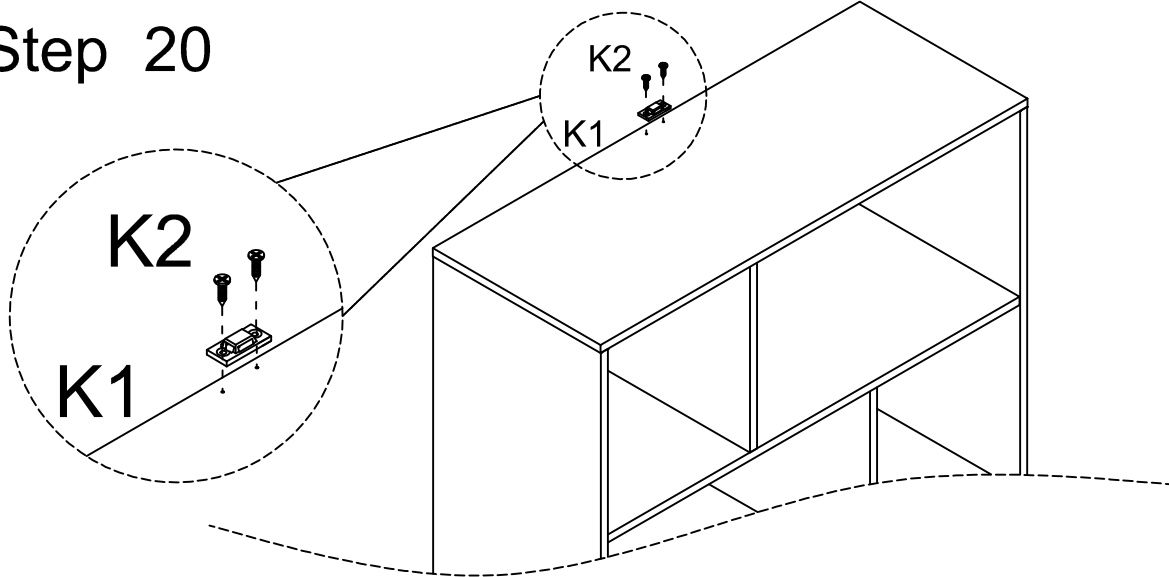
Cover visible cam locks of the panels(2,3,8,9) with stickers (F) as desired

# Step 19

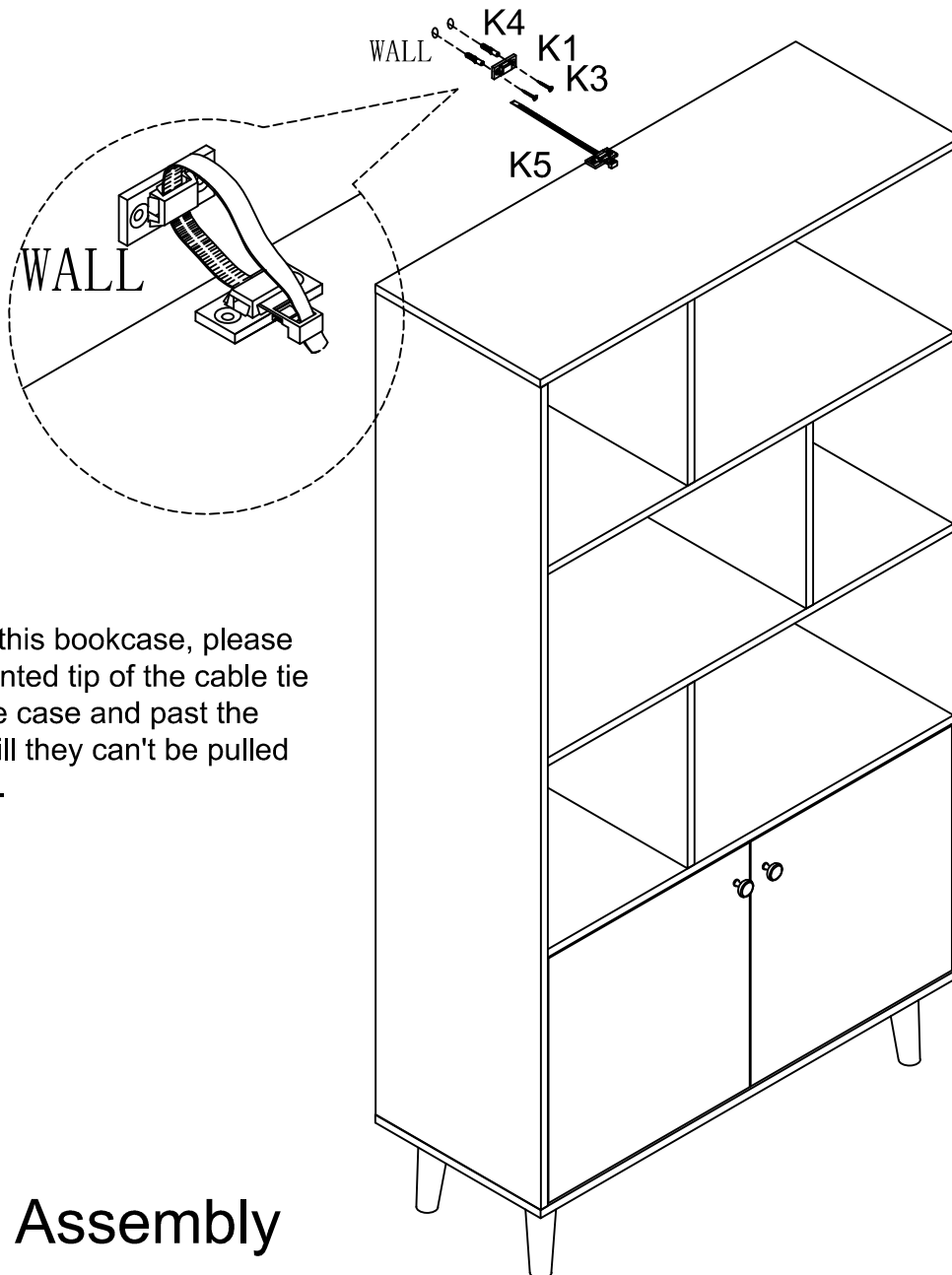


- 1/ Attach hinges (E) to doors (10,11) using screws (G). Attach handles (I) to doors (10,11) using screws (J)
- 2/ Attach doors (10,11) to the console using screws (G) at hinges (E). See page 2 for instructions on how to adjust hinges so doors align with console as desired.

## Step 20



Further (K1) to panel(1) using screws(K2).



To tighten this bookcase, please pull the pointed tip of the cable tie through the case and past the ratchet until they can't be pulled backwards.

## Final Assembly