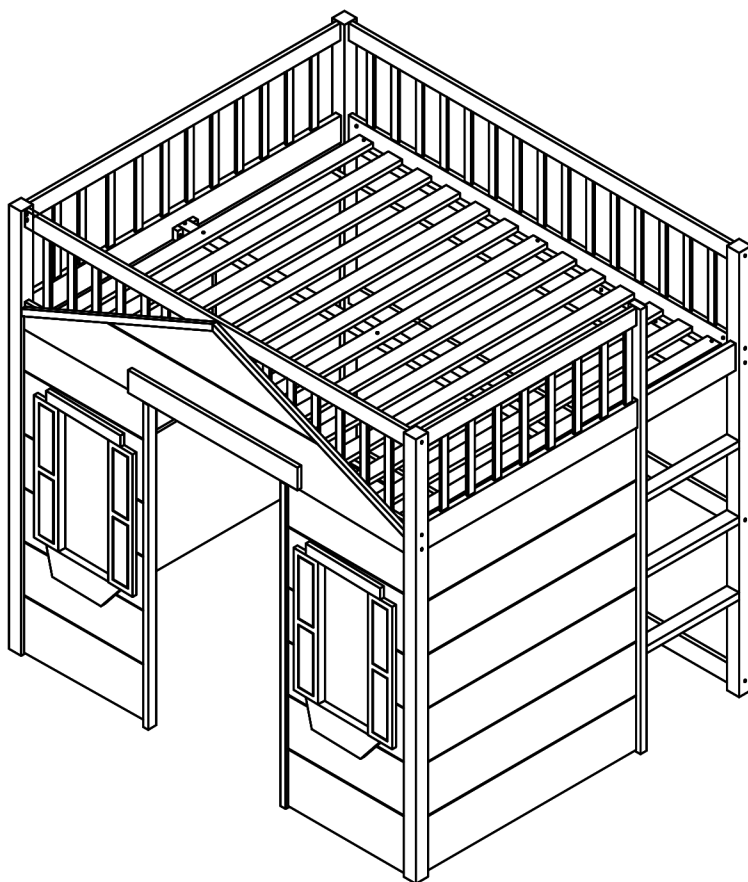


Assembly Instructions



ASSEMBLY RATING

The Assembly Rating is a 5-point system that shows the degree of effort needed in assembling a specific product (with 1 being easy and 5 being difficult). For some products, two persons are recommended.

EASY  DIFFICULT

Tools Required For Assembly:

Allen Wrench



(Included)

Phillips Screwdriver



(Not Included)

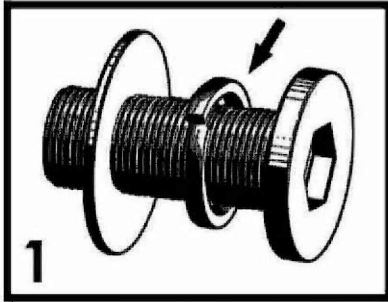


2 PERSONS RECOMMENDED

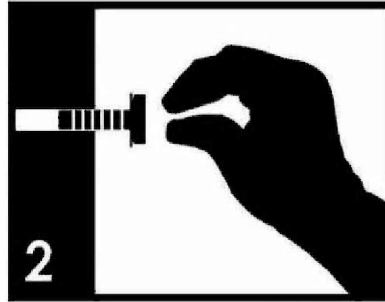
ASSEMBLY & CARE ADVICE

FOR YOUR FURNITURE TO LAST, CORRECT ASSEMBLY AND PROPER MAINTENANCE ARE NECESSARY. PLEASE FOLLOW THE INFORMATION PROVIDED BELOW TO FULLY ENJOY YOUR FURNITURE.

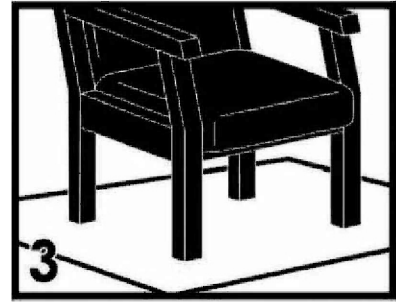
BASIC ASSEMBLY TECHNIQUES



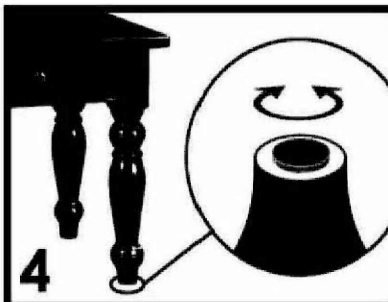
1
When lock or spring washer is used in an assembly, please make sure the lock or spring washer is placed between the larger flat washer and the head of the screw or bolt.



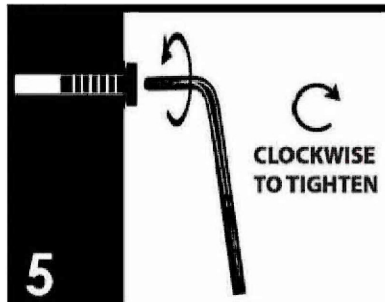
2
Position each part correctly and insert screws or bolts into their respective holes by hand tighten or using the proper hand tool. Only tighten when step is completed or when instructed to do so.



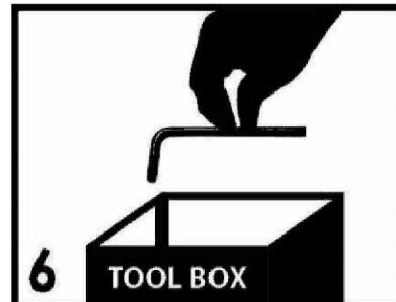
3
Use cardboard or carpet area when assembling furniture to prevent scratches. Make sure the furniture rests on a flat and level surface with each leg evenly touching the floor.



4
Some furniture comes with height adjustment knobs underneath each leg. To lower or to raise each leg, you need to turn clockwise or counterclockwise, respectively.



5
Make sure all parts are properly aligned, then use the appropriate hand tool to completely tighten the bolts or screws. Do not use power tools and do not overtighten.

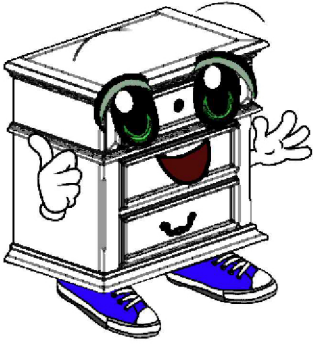


6
Save the instructions and store the Allen wrench or any supplied tool for later maintenance. After two weeks, check and tighten any loose hardware and repeat again every six months thereafter.

IT IS THE USER'S RESPONSIBILITY TO MAINTAIN THE FURNITURE. THE HARDWARE MAY LOOSEN OVER TIME AND MAY CAUSE THE FURNITURE TO BE WOBBLY AND UNABLE TO SUPPORT ITS INTENDED WEIGHT CAPACITY. THIS MAY LEAD TO COLLAPSE AND MAY CAUSE SERIOUS INJURY.



FAILURE TO FOLLOW THE GUIDELINES ABOVE MAY RESULT IN INJURY AND/OR PROPERTY DAMAGE.

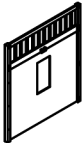

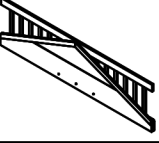
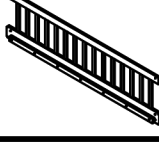
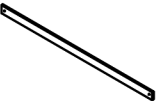
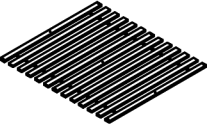
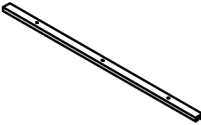











Before you begin, please read Page 2 of "Assembly and Care Advice".

And remember, do not tighten until each step is completed or instructed.


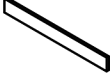
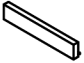

Parts List

Hardware List



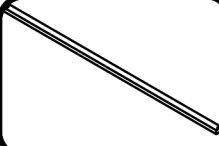
-  #1 x 1pc
Heardboard (Left)
-  #2 x 1pc
Heardboard (Right)
-  #3 x 1pc
Upper Front Side Rail
-  #4 x 1pc
Upper Back Side Rail
-  #5 x 2pcs
Lower Guardrail
-  #6 x 1set
Full Slant Kit (13pcs)
-  #7 x 2pcs
Vertical Bar
-  #8 x 1pc
Frames (Left)

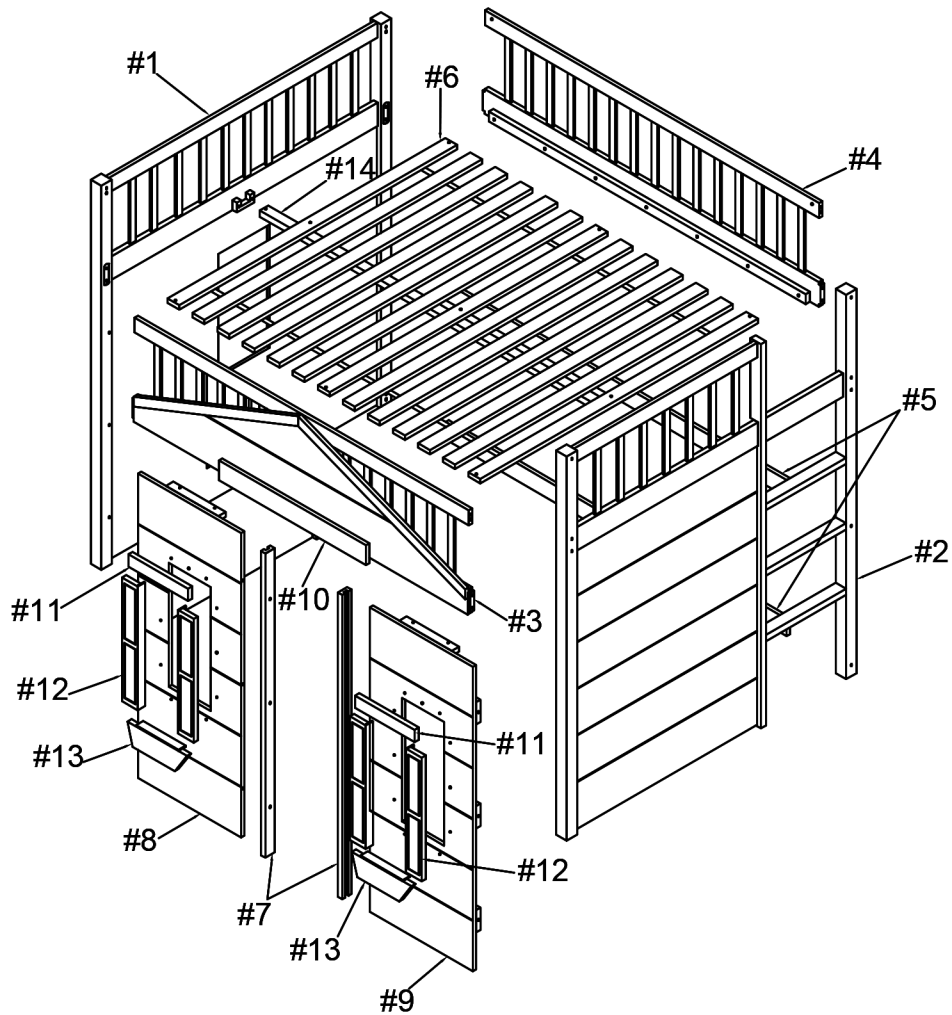
-  #A x 16pcs
Bolt 1/4" x 4-3/8"
-  #B x 16pcs
Barrel Nut 1/4" x 1/2"
-  #C x 18pcs
Bolt 1/4" x 1-3/8"
-  #D x 16pcs
Bolt 1/4" x 1"
-  #E x 12pcs
Wood Dowel 7/16" x 1-9/16"
-  #F x 1pc
Wood Dowel 7/16" x 1-3/16"
-  #G x 8pcs
Wood Dowel 7/16" x 3/4"
-  #H x 11pcs
Screw 4 x 30mm

Parts List

- 
#9 x 1pc
Frames (Right)
- 
#10 x 1pc
Crossbar
- 
#11 x 2pcs
Window
- 
#12 x 4pcs
Window

Hardware List

- 
#1 x 1pc
Allen Wrench 4mm
- 
#13 x 2pcs
Window
- 
#14 x 1pc
Center Support

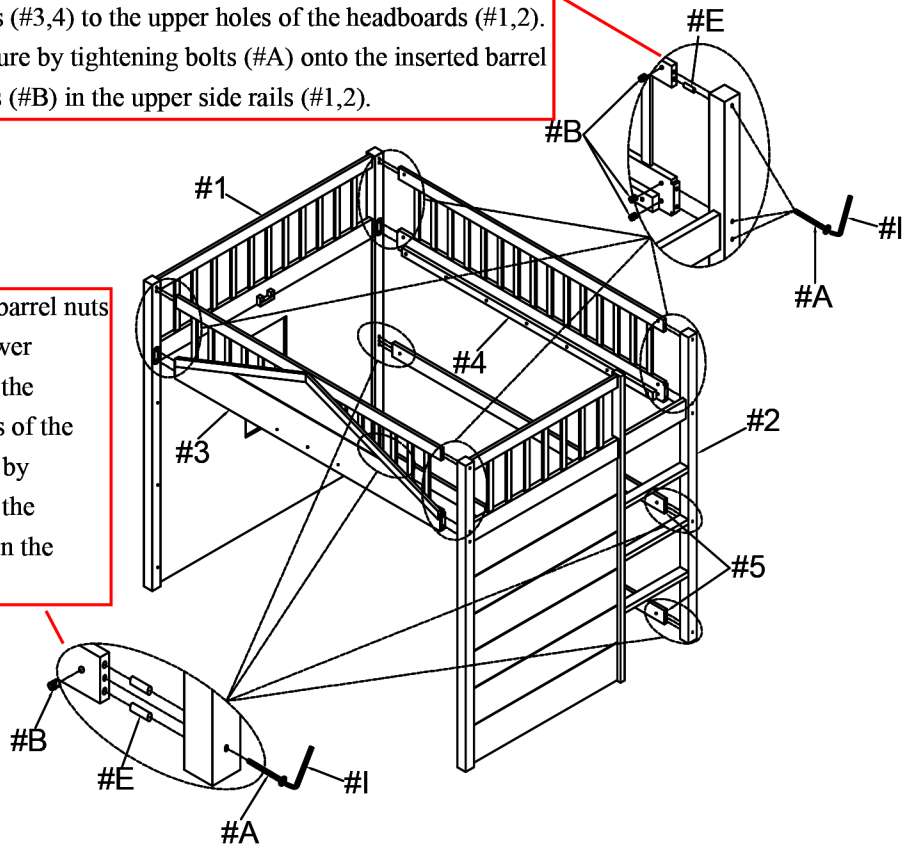




1) Insert dowels (#E) and barrel nuts (#B) to the holes of the upper side rails (#3,4), then align the upper side rails (#3,4) to the upper holes of the headboards (#1,2). Secure by tightening bolts (#A) onto the inserted barrel nuts (#B) in the upper side rails (#1,2).

- #A x 16pcs
- #B x 16pcs
- #E x 12pcs

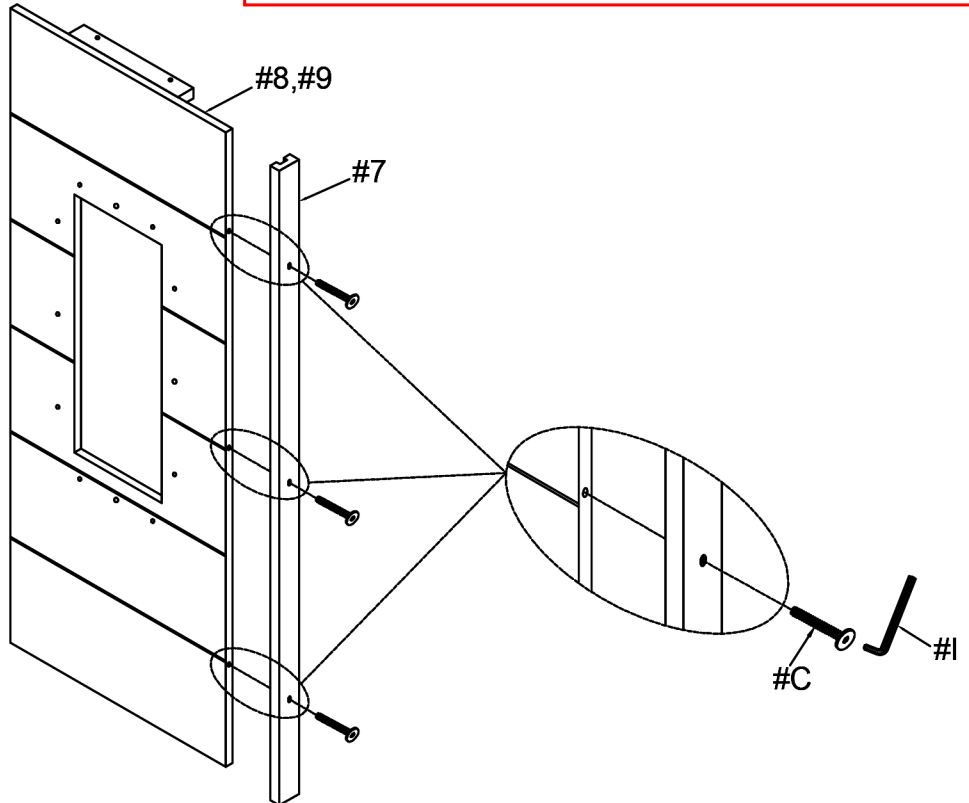
2) Insert dowels (#E) and barrel nuts (#B) to the holes of the lower guardrails (#5), then align the guardrails (#5) to the holes of the headboards (#1,2). Secure by tightening bolts (#A) onto the inserting barrel nuts (#B) in the guardrails (#5).



Align vertical bars (#7) to the holes of the frames (#8,9). Secure by using bolts (#C). The vertical bar (#7) could either be aligned to the right or left side of the frames (#8,9) depending on the frames.

- #C x 3pcs

X2

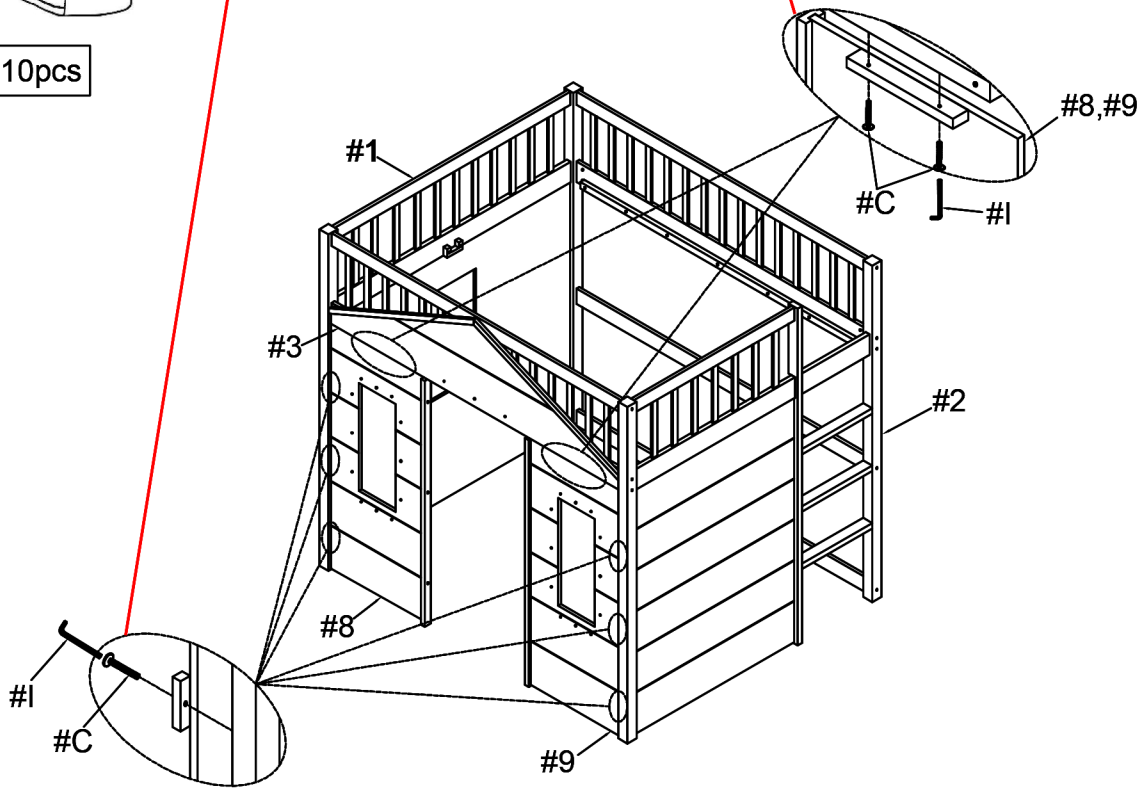




#3

Align frames (#8,9) to the holes of the unit, then secure by using bolts (#C).

#C x 10pcs

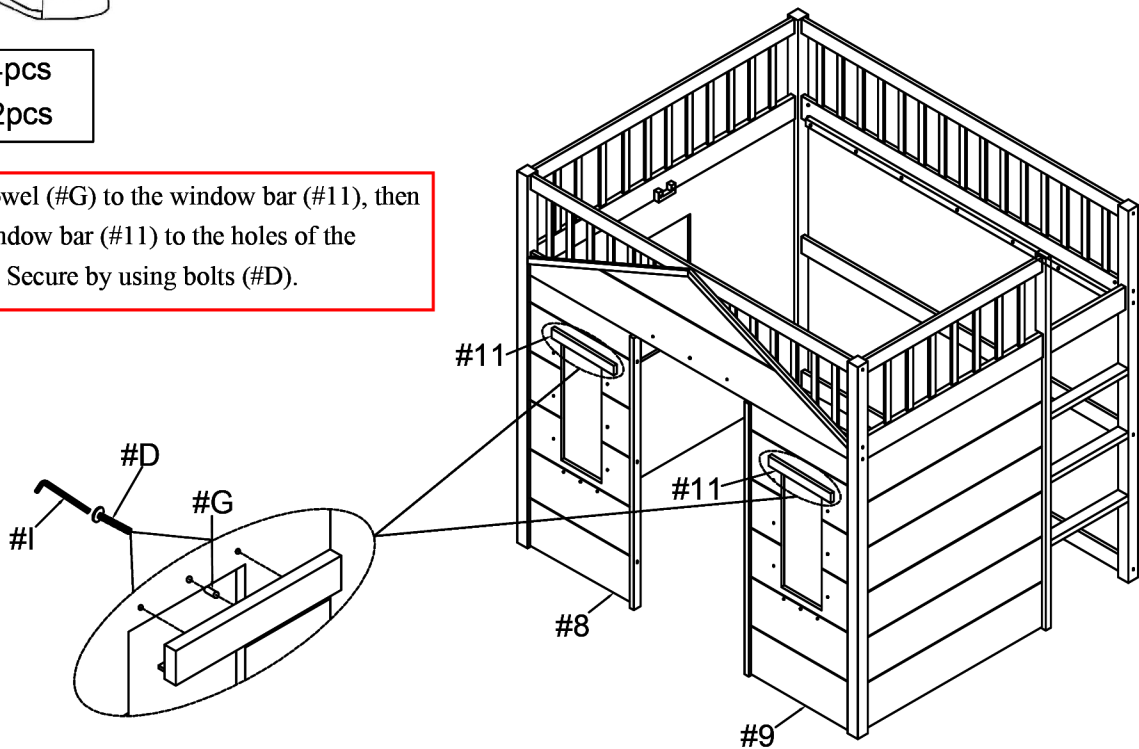


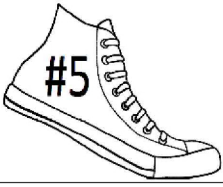
#4

#D x 4pcs

#G x 2pcs

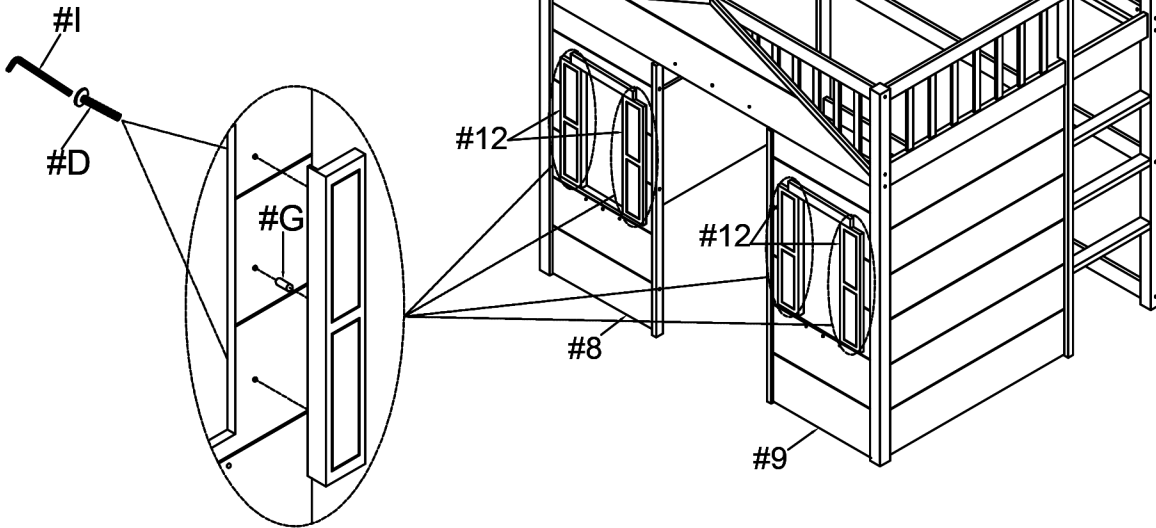
Insert dowel (#G) to the window bar (#11), then align window bar (#11) to the holes of the window. Secure by using bolts (#D).





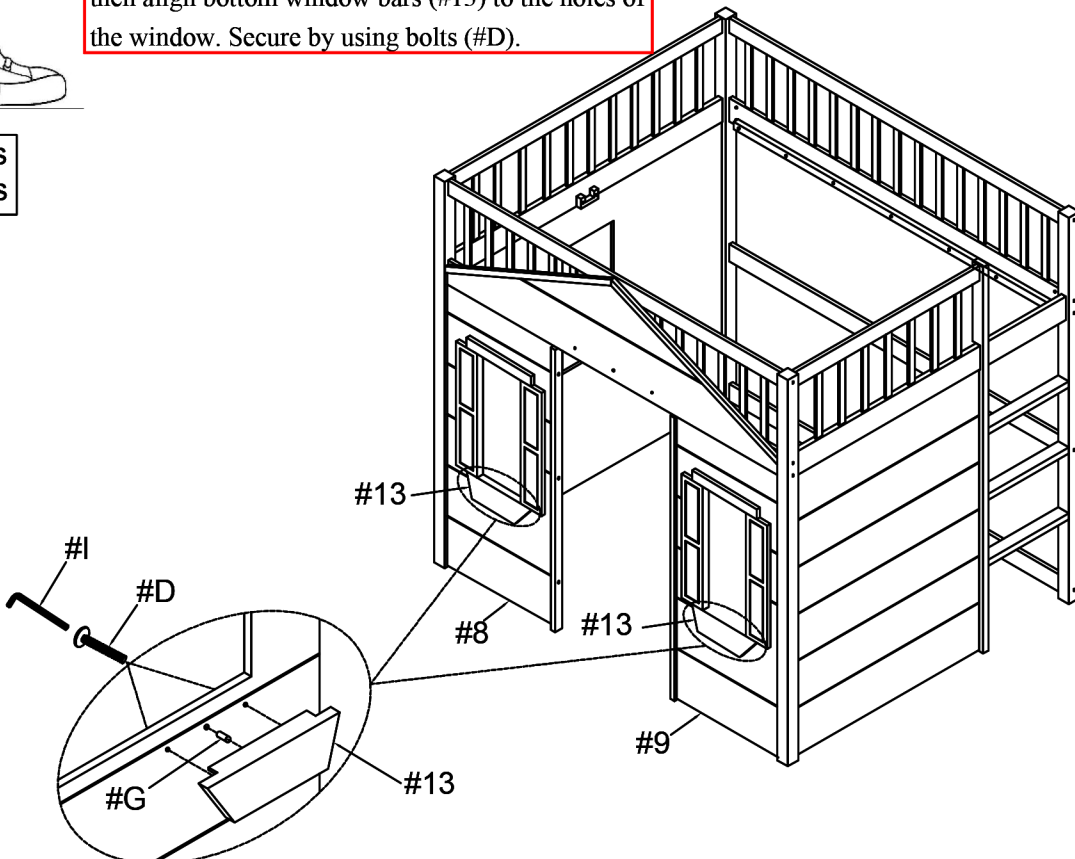
Insert dowel (#G) to the window side bars (#12), then align window side bars (#12) to the holes of the window. Secure by using bolts (#D).

#D x 8pcs
#G x 4pcs



Insert dowel (#G) to the bottom window bars (#13), then align bottom window bars (#13) to the holes of the window. Secure by using bolts (#D).

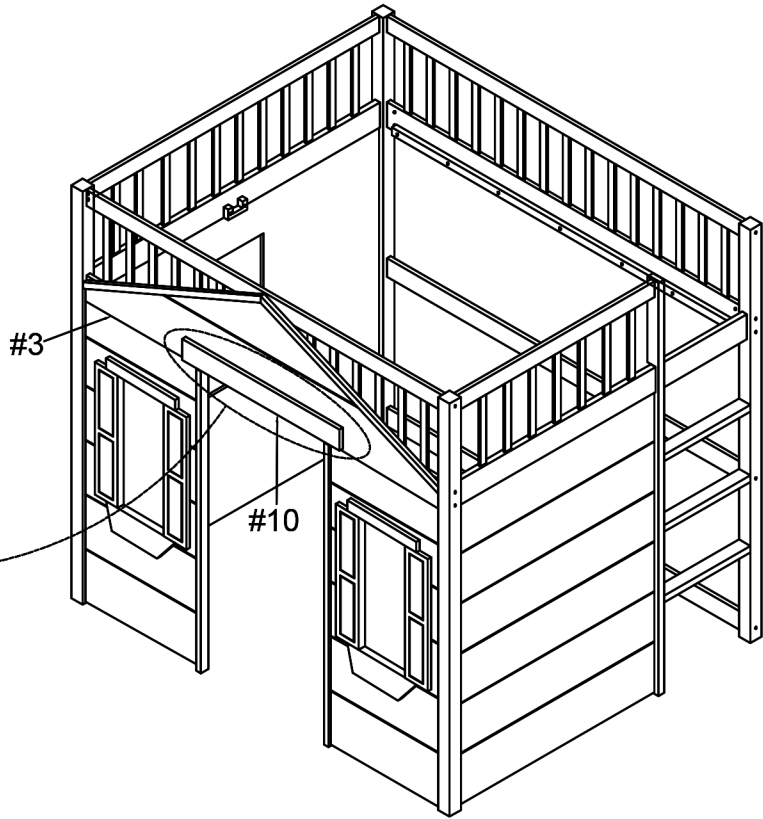
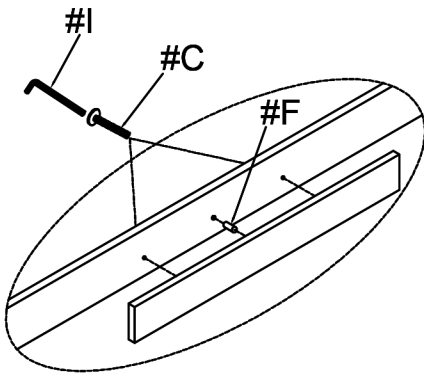
#D x 4pcs
#G x 2pcs





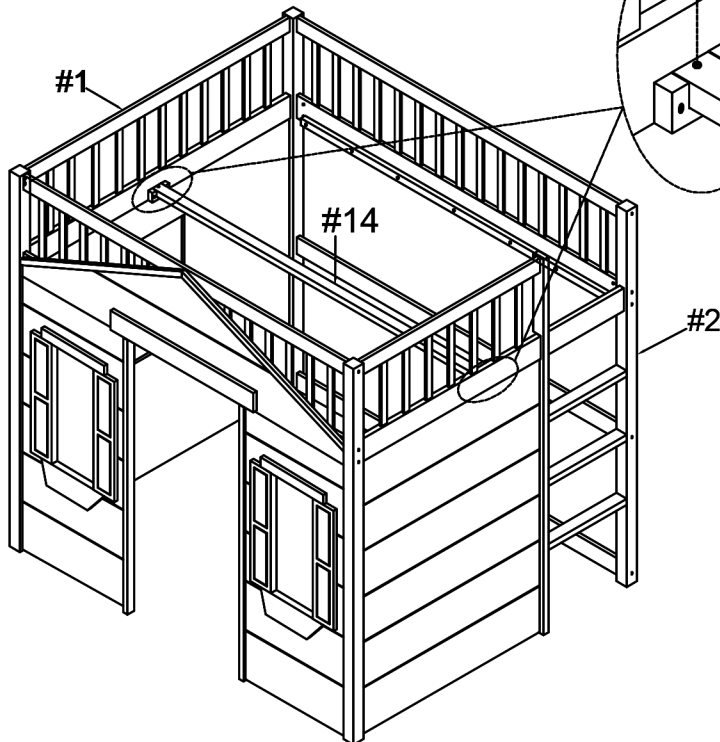
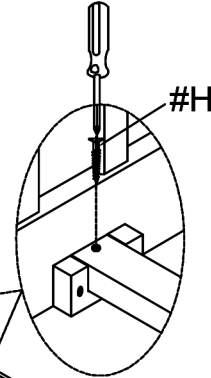
Insert dowel (#G) to the crossbar (#10), then align crossbar (#10) to the holes of the unit.
Secure by using bolts (#C).

#C x 2pcs
#F x 1pc



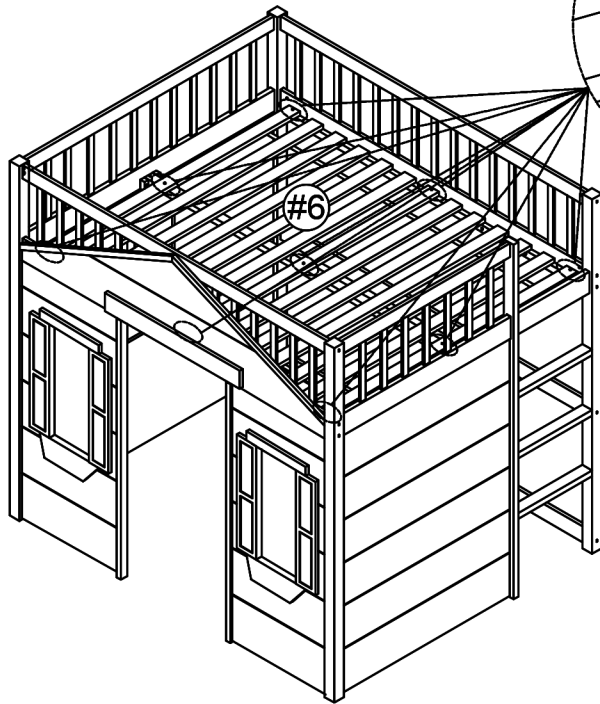
Align center support (#14) to the headboards (#1,2), then secure by using screws (#H).

#H x 2pcs

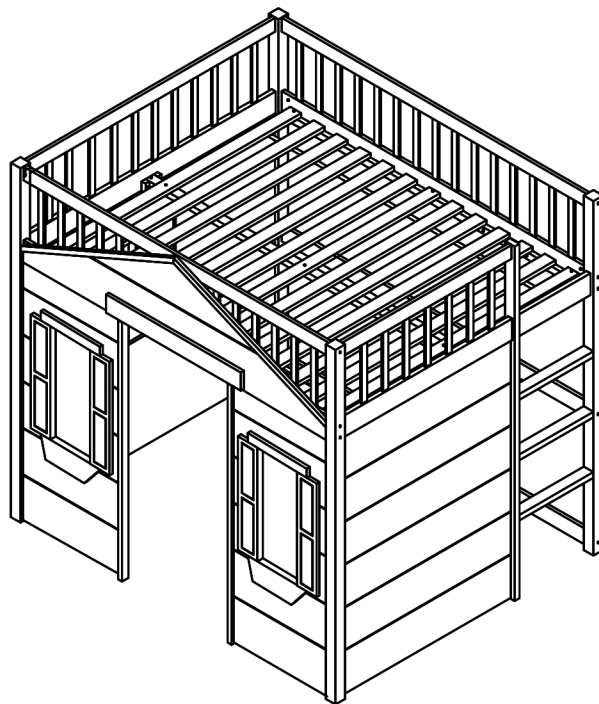




#H x 9pcs



Align slats (#6) to the upper bunk,
then secure by using screws (#H).



ASSEMBLY IS COMPLETED

Safety Warnings for Bunk Beds

1. Read and follow the information on the WARNINGS shown on the end structure of the upper bunk and on the carton.
2. Do not remove warning label from the bed.
3. Keep these instructions for future reference.
4. **IMPORTANT: Must use Bunkie mattress or Bunkie board.** The proper sizes for the **UPPER/LOWER TWIN-SIZE** Bunkie mattress or Bunkie board should be 74" long and 37½" - 38½" wide with no more than 6" thickness and for the **UPPER/LOWER FULL-SIZE** should be 74" long and 53" - 54" wide with no more than 6" thickness.
5. Surface of mattress must be at least 5 inches (127 mm) **BELOW** the upper edge of guardrails.
6. The **MAXIMUM** weight capacity for the upper bunk is not to exceed 175 lbs.
7. Do not allow children under 6 years of age to use the upper bunk.
8. Periodically check and ensure that the guardrails, ladder, handle and other components are in their proper position, free from damage, and that all connectors are tightened and secured.
9. **DO NOT** allow horseplay, rough playing or jumping on the beds and do not allow playing or hiding under the beds.
10. Always use the ladder for entering or leaving the upper bunk.
11. Do not use substitute parts. Contact the manufacturer or dealer for replacement parts.
12. Use of a nightlight may provide added safety precaution for a person using the upper bunk.
13. Always use the guardrails on both sides of the upper bunk.
14. If the bunk bed will be placed next to a wall, the guardrail that runs the full length of the bed should be placed against the wall to prevent entrapment between the bed and the wall.
15. The use of water or sleep flotation mattresses is prohibited.
16. No more than one person is allowed on the upper bunk at all times.



WARNING: STRANGULATION HAZARD

Never attach or hang objects to any part of the bunk bed that are not designed for use with the bed. Objects such as hanger, hook, belt, bag, rope, string, etc. should not be used on or around the bunk bed.