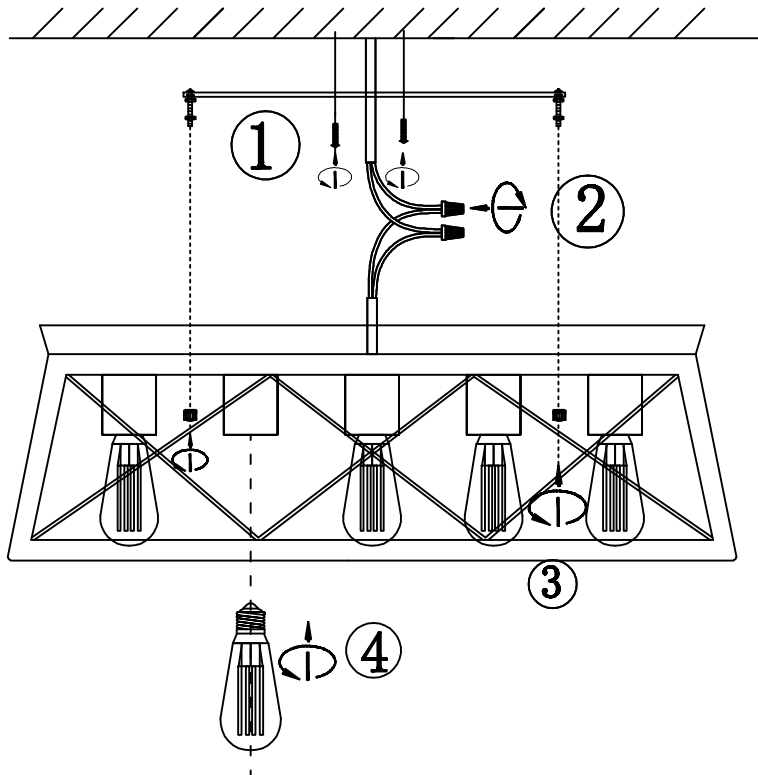


Installation diagram

Black wire(or brown wire) :connect with
fire wire (L)
White wire(or blue wire) :connect with
neutral wire(N)



- 1: Remove the hanging board and fix it in the position to be installed with gecko nail and expansion screw
- 2: Connect the light line to the power line. Please turn off the power first. And connect with the correct polarity.
- 3: Lock the nut and fix the suction top plate
- 4 : Install light bulbs

Notes:

It is strictly prohibited to wipe the surface of lamp body with tianna and other chemical solvents. Cotton cloth is recommended. Glue a small amount of water to gently wipe the lamp.

Warm tips: this lamp is only for indoor installation and is strictly prohibited for outdoor use