

CANDRY BATH HARDWARE SET INSTALLATION GUIDE



Congratulations for purchasing Candry Home Products quality bathroom hardware set which including Towel Bar (18" and 24"), Towel Ring, Tissue Paper Holder and Robe Hook. All accessories has been tested on static load of 30lbs .

PRODUCT ITEM : LF31-CHROME Bath Hardware Set

IMPORTANT NOTES

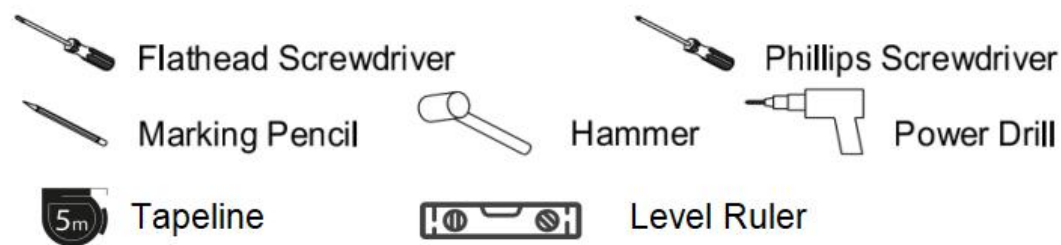
- Considering the different type's Wall , we offer two kinds of wall anchors. Satisfy your different circumstances requirement .
- Before you begin installation, unpack and inspect your cabinetry. Be sure that you have all of the components necessary to complete your installation.

Hardware Included

18" Towel Bar *1pcs
24" Towel Bar*1pcs
Paper Holder *1pcs
Robe Hook *1pcs
Towel Ring*1pcs

Mounting Screw*14pcs
Wall Anchors for concrete *14pcs
Wall Anchors for plasterboard*14pcs
Mounting Plate*7pcs
Allen Wrench*1pcs

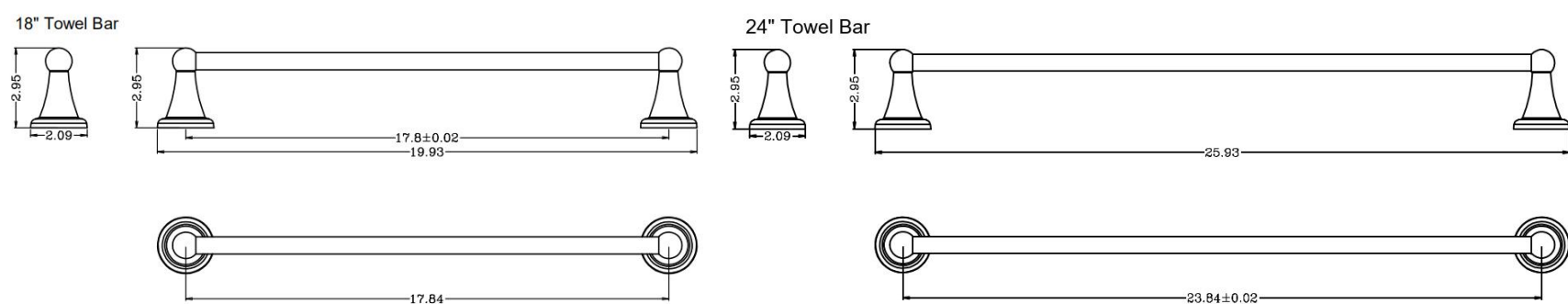
RECOMMENDED TOOLS



CLEANING AND CARE INSTRUCTIONS

- Clean with a soft ,dry cloth or slightly damp cloth
- Avoid using strong chemical household cleaners
- Avoid using metal or abrasive polishes

Towel Bar (18" and 24") Installation



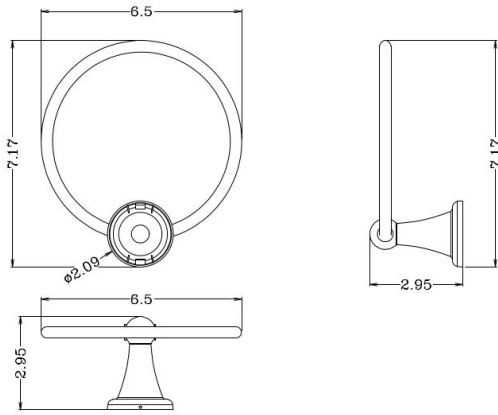
Installation Step:

1. Hold the Tower bar upright and against the wall at the desired mounting loaction .Use a level ruler to ensure that the item is level and then use a pencil to mark the wall through each screw hole of the item.
2. Place the mounting plate in the center of the pencil outline you just made and mark the location of mounting screws. Drill holes at the marked locations .
3. Insert anchors into the holes with a hammer until flush with the wall .
4. Screw the mounting plate (with the lips facing out) to the wall with the mounting screws.
5. Repeat step 1 through 4 with the other side .
6. Place the product with the Bracket clipping over the mounting plate. The set screw at the Bracket should be at bottom matching with the lower end of the vertically placed mounting plate .Unscrew the set screw a little bit may be required for proper fitting. Clip the Bracket with the upper end of the mounting plate first . Then, push the Bracket completely to flush with the wall and tighten the set screw to lock with the mounting plate on wall .

CANDRY BATH HARDWARE SET INSTALLATION GUIDE



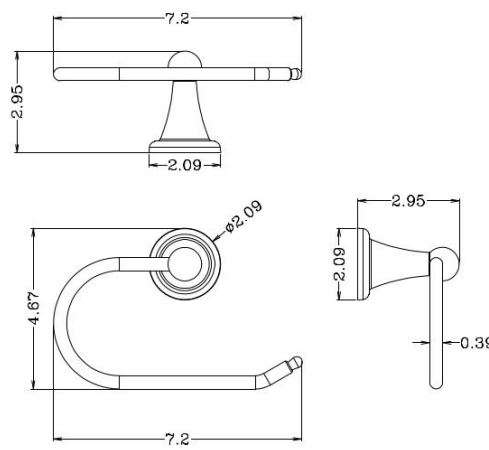
Towel Ring Installation



Installation Step:

1. Hold the Towel ring upright and against the wall at the desired mounting location and trace around it with a pencil .
2. Place the mounting plate in the center of the pencil outline you just made and mark the location of mounting screws. Drill holes at the marked locations .
3. Insert anchors into the holes with a hammer until flush with the wall .
4. Screw the mounting plate (with the lips facing out) to the wall with the mounting screws.
5. Place the product with the Bracket clipping over the mounting plate. The set screw at the Bracket should be at bottom matching with the lower end of the vertically placed mounting plate .Unscrew the set screw a little bit may be required for proper fitting. Clip the Bracket with the upper end of the mounting plate first . Then, push the Bracket completely to flush with the wall and tighten the set screw to lock with the mounting plate on wall .

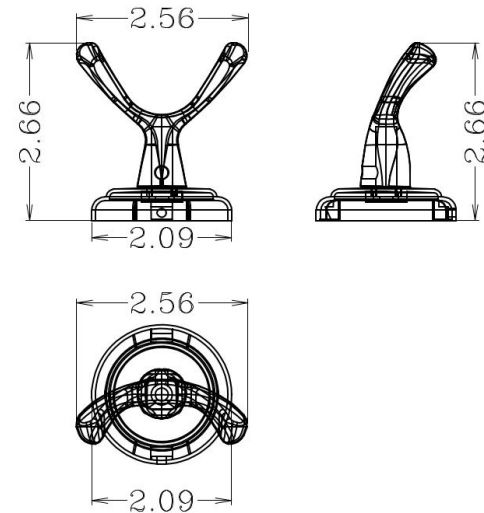
Tissue Paper Holder Installation



Installation Step:

1. Hold the Tissue paper Holder upright and against the wall at the desired mounting location and trace around it with a pencil.
2. Place the mounting plate in the center of the pencil outline you just made and mark the location of mounting screws. Drill holes at the marked locations .
3. Insert anchors into the holes with a hammer until flush with the wall .
4. Screw the mounting plate (with the lips facing out) to the wall with the mounting screws.
5. Place the product with the Bracket clipping over the mounting plate. The set screw at the Bracket should be at bottom matching with the lower end of the vertically placed mounting plate .Unscrew the set screw a little bit may be required for proper fitting. Clip the Bracket with the upper end of the mounting plate first . Then, push the Bracket completely to flush with the wall and tighten the set screw to lock with the mounting plate on wall .

Robe Hook Installation



Installation Step:

1. Hold the Robe hook upright and against the wall at the desired mounting location and trace around it with a pencil.
2. Place the mounting plate in the center of the pencil outline you just made and mark the location of mounting screws. Drill holes at the marked locations .
3. Insert anchors into the holes with a hammer until flush with the wall .
4. Screw the mounting plate (with the lips facing out) to the wall with the mounting screws.
5. Place the product with the Bracket clipping over the mounting plate. The set screw at the Bracket should be at bottom matching with the lower end of the vertically placed mounting plate .Unscrew the set screw a little bit may be required for proper fitting. Clip the Bracket with the upper end of the mounting plate first . Then, push the Bracket completely to flush with the wall and tighten the set screw to lock with the mounting plate on wall .