

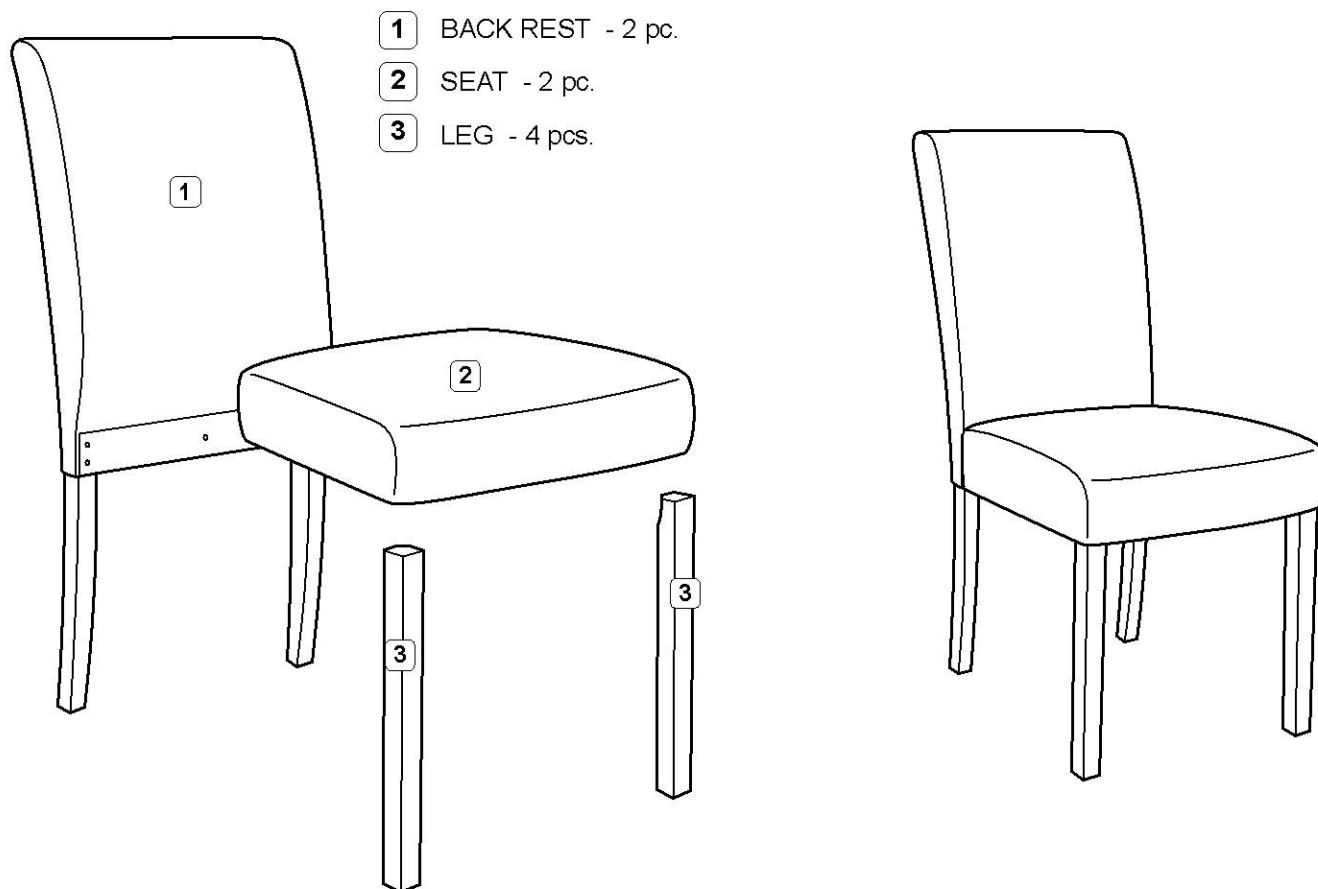
# Dining Chair

Assembly Instructions - Please keep for future reference

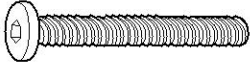



## Safety and Care Advice

- Carefully check that you have all the components prior to assembly.
- Unpack and assemble this furniture on a clean, flat, protective surface in the room it will be used.
- We recommend that the packaging is used to protect the surfaces during assembly.
- It may be necessary to tighten any fittings from time to time depending on use, this is normal with flat pack furniture.
- Save all packing material until assembly is complete to avoid accidentally discarding smaller parts or hardware.
- At least 2 people are required to assemble this product.
- Please clean the product using either damp (not wet) cloth and a mild domestic soap solution or by using an appropriate polish.
- Do not use abrasive materials when cleaning.
- Please keep these instructions safe in case you wish to look at in the future.

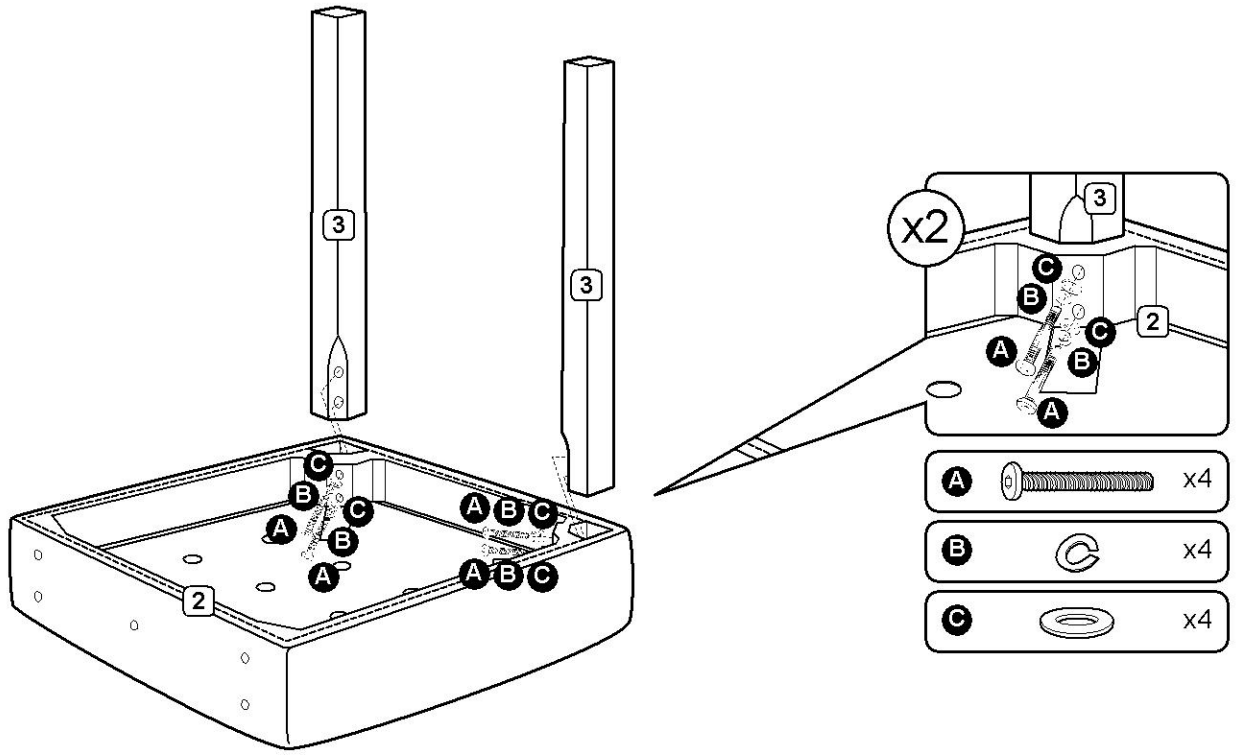
## Parts List



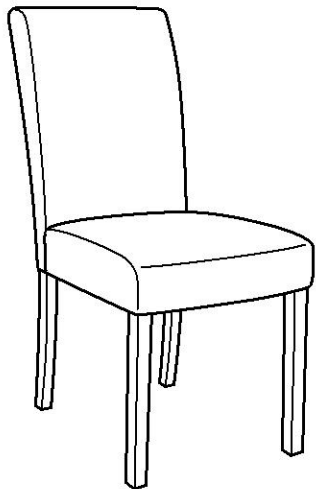
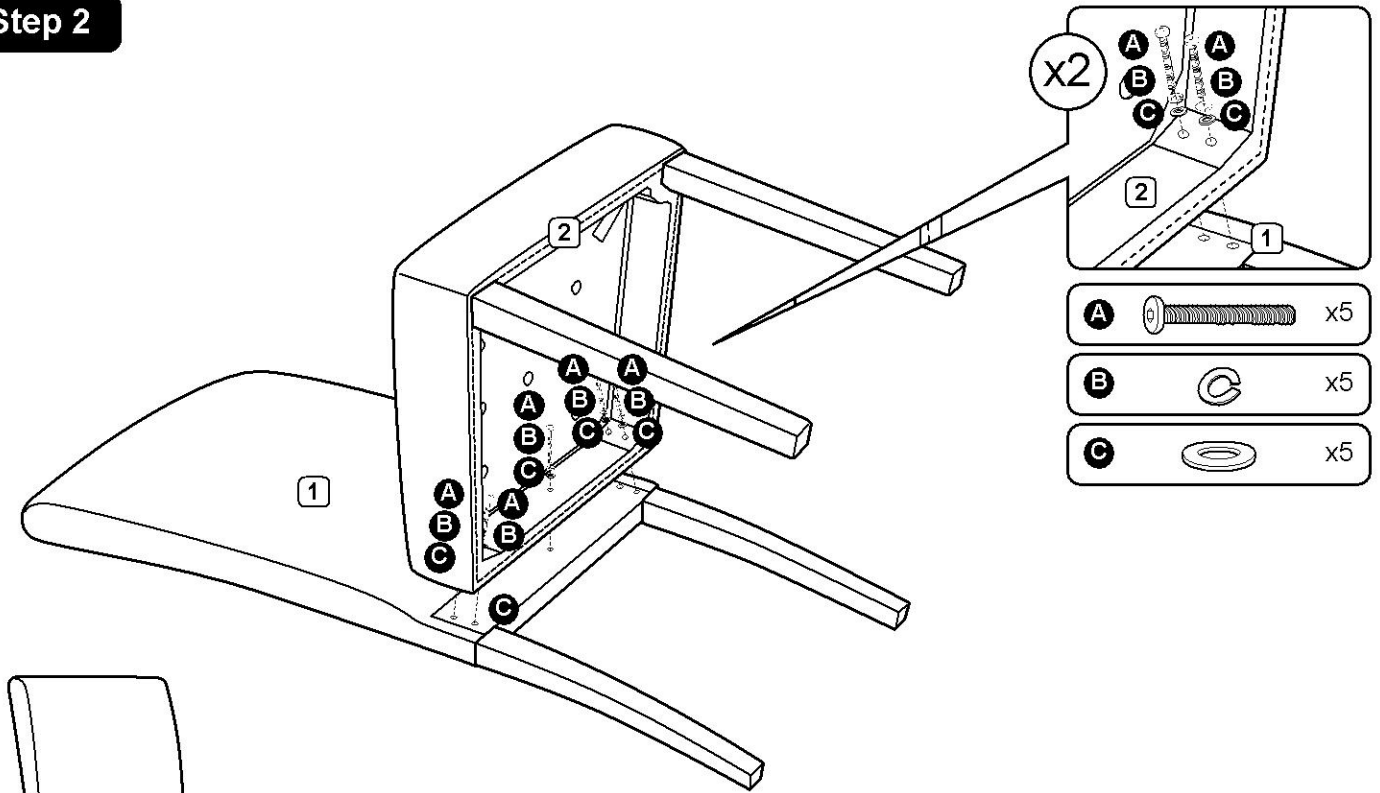
## Fittings List

<b>A</b>  45mm BOLT - 18 pcs.	<b>B</b>  SPRING WASHERS - 18 pcs.	<b>C</b>  WASHER - 18 pcs.
<b>D</b>  ALLEN KEY - 1 pc.		

**Step 1**



**Step 2**



**x2**

**Note:** Secure the bolt in the centre of the chair last to ensure the alignment of the seat pad is correct.

**Assembly is complete.**