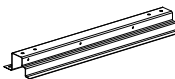

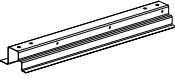

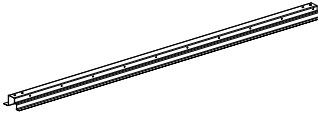
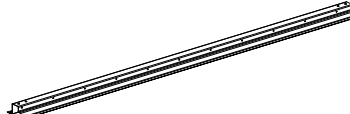
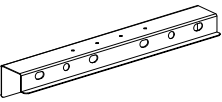

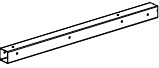
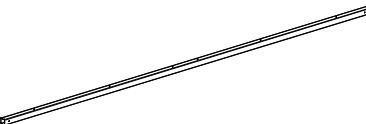
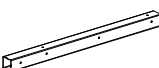

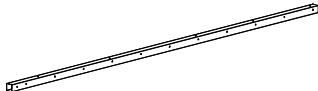
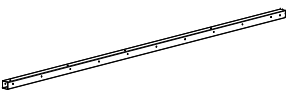
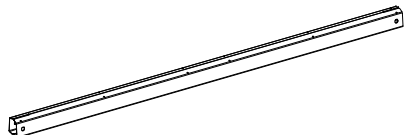
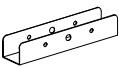
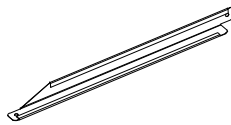
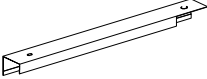

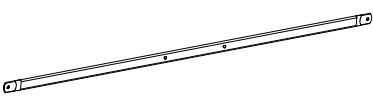
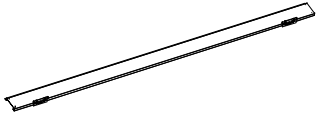
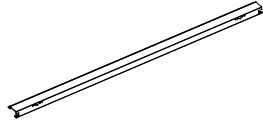
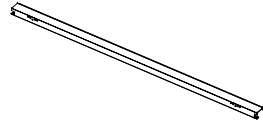

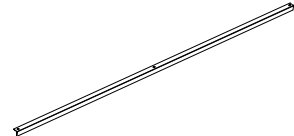
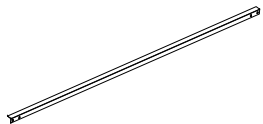

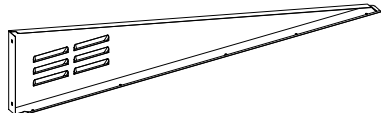
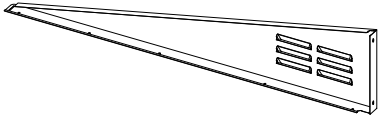
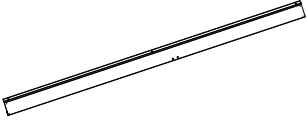
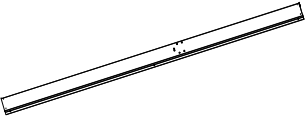

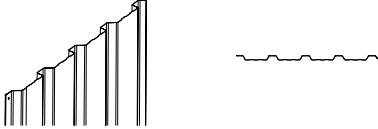

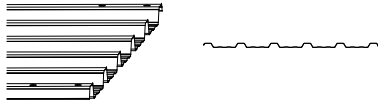

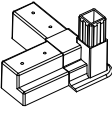


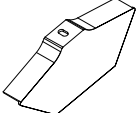

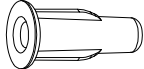

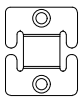
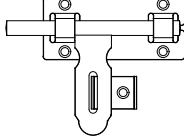
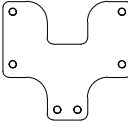
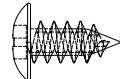
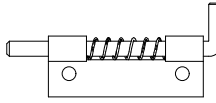
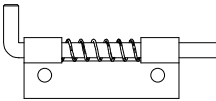
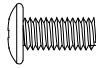


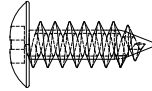

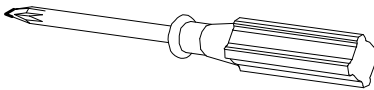
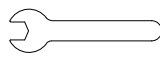







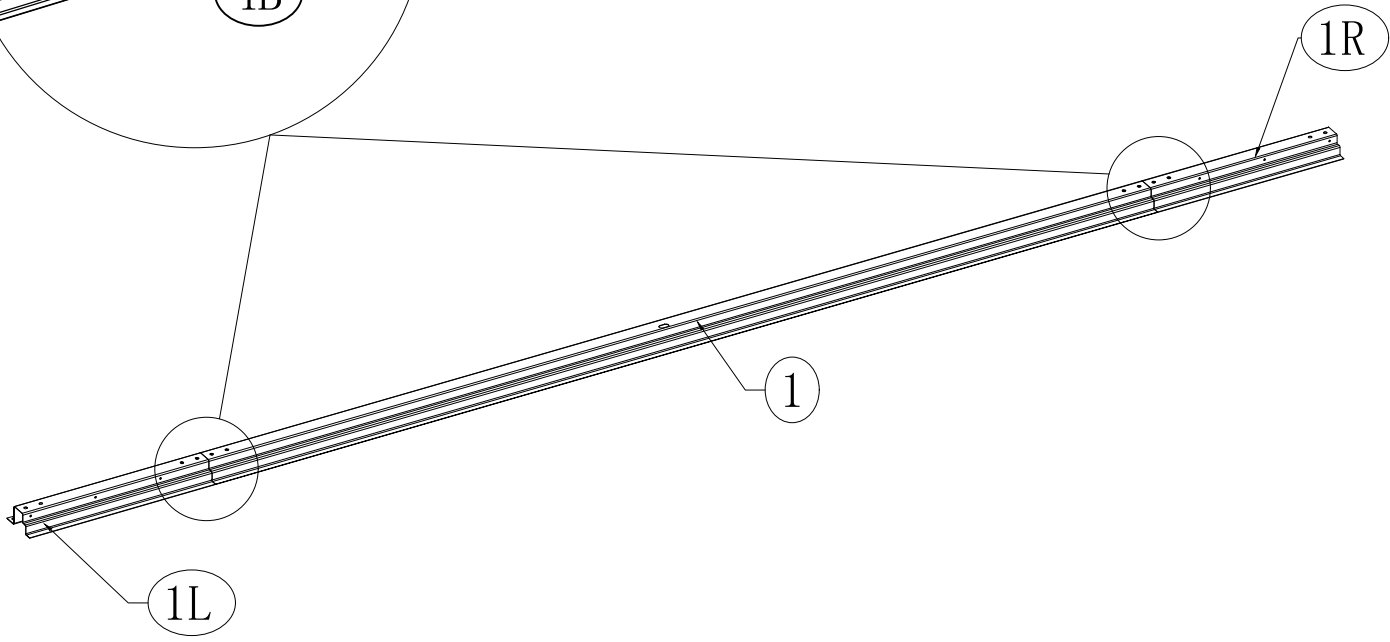
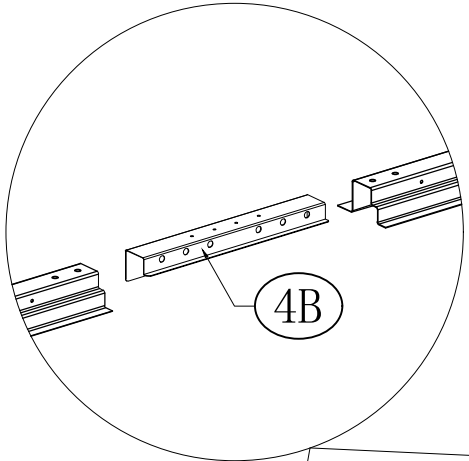
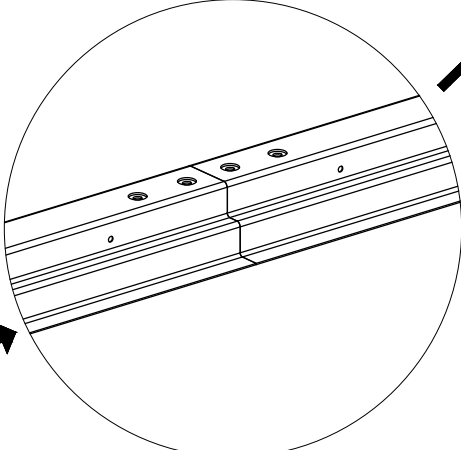
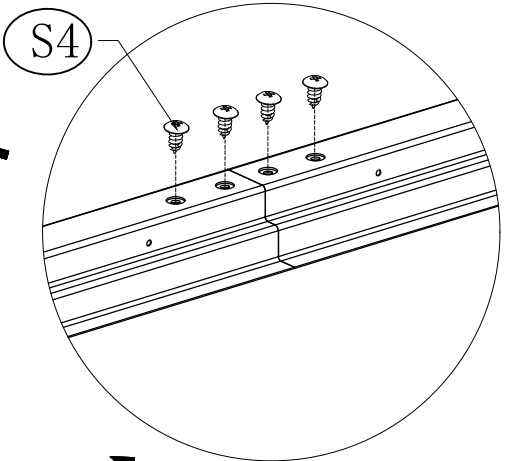
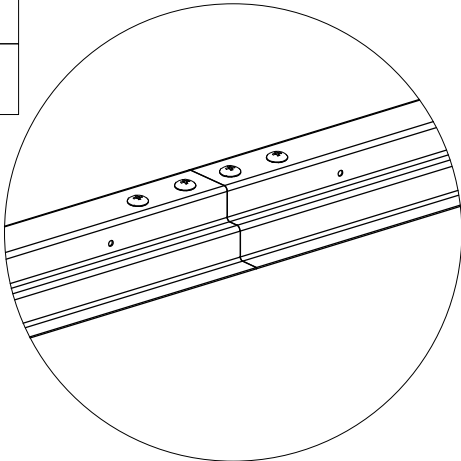
NO.	PART.	Qty.
1L		1
1		1
1R		1
2		2
3L		1
3R		1
4B		3
5		4
6L		1
6		1
6R		1
7		2
8L		1
8R		1



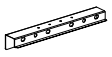

NO.	PART.	Qty.
9Y		1
10		3
10F		2
11F		2
11B		2
15		4
16		2
17L		1
17R		1
18		1
19		2
20		4
21		4
21L		2

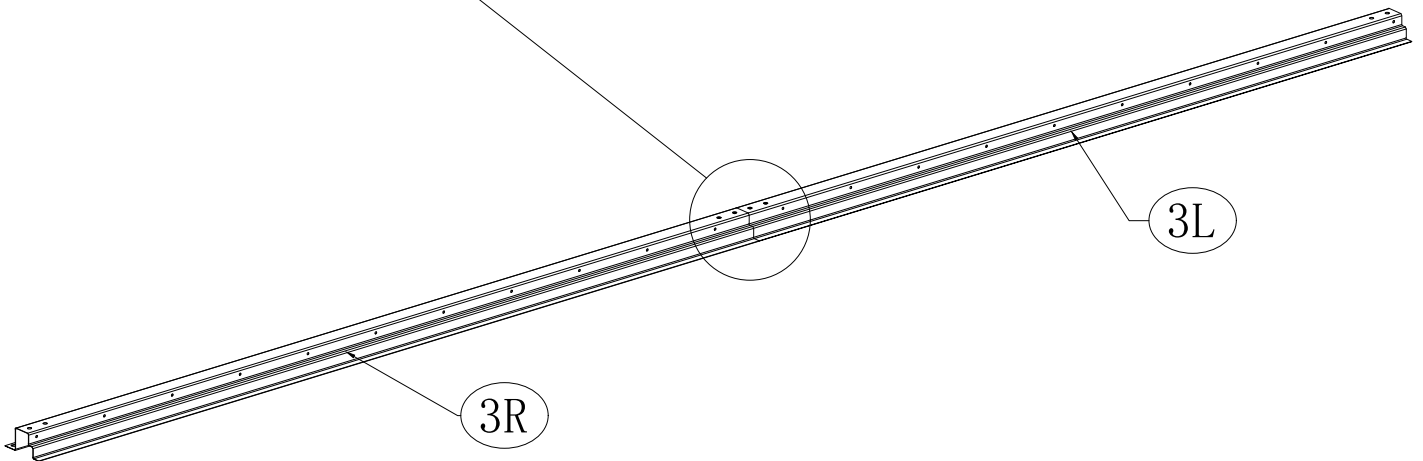
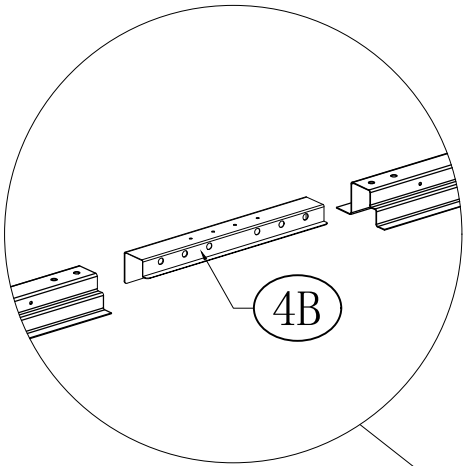
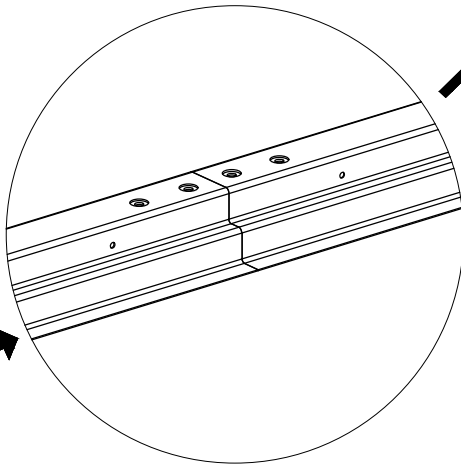
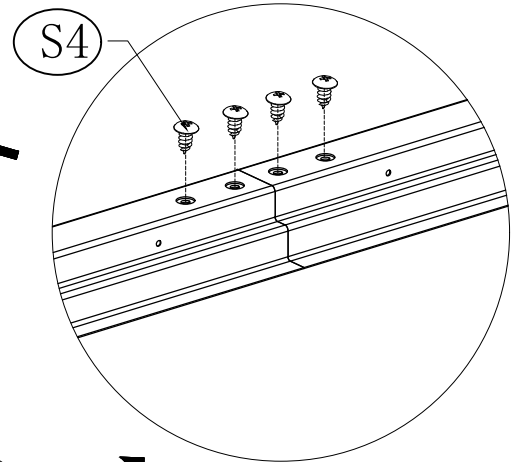
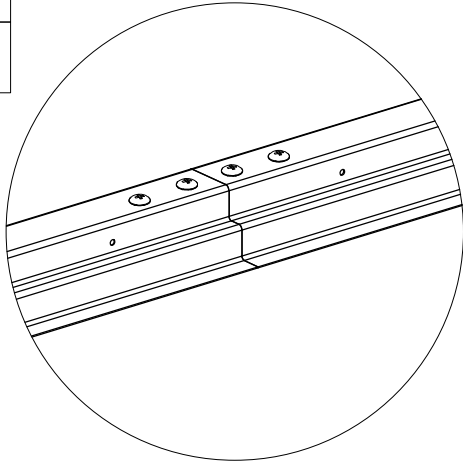
NO.	PART.	Qty.
21R		2
22		1
23		1
W1		4
W5		9
W7		4
W15		4
M1		2
C		4
F		4
F4		4
F5		2
F7		50
F8		12




NO.	PART.	Qty.
F9		2
S1		1
S2		1
S3		1
S4		232
S5L		1
S5R		1
S6		50
S6A		10
S7		54
S8		4
S9		4
S12		1
S15		1

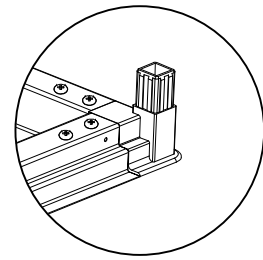
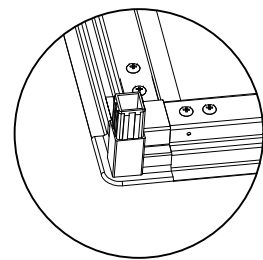
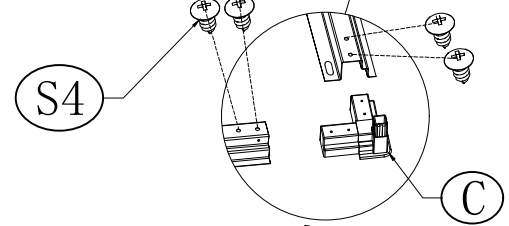
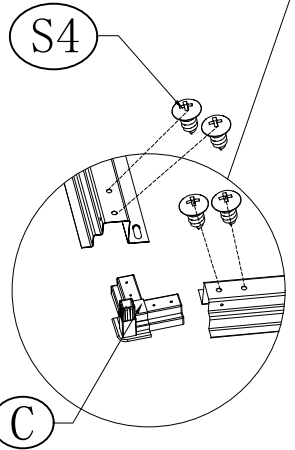
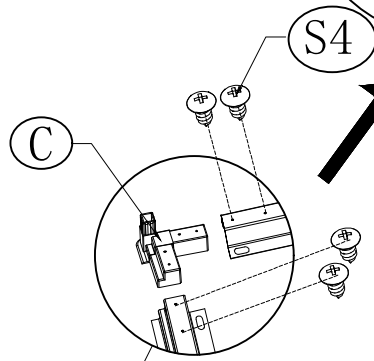
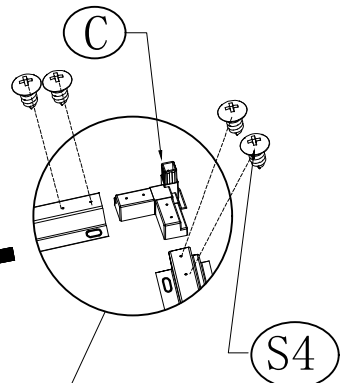
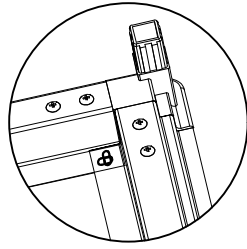
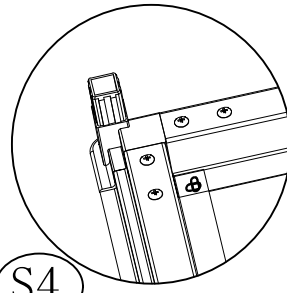
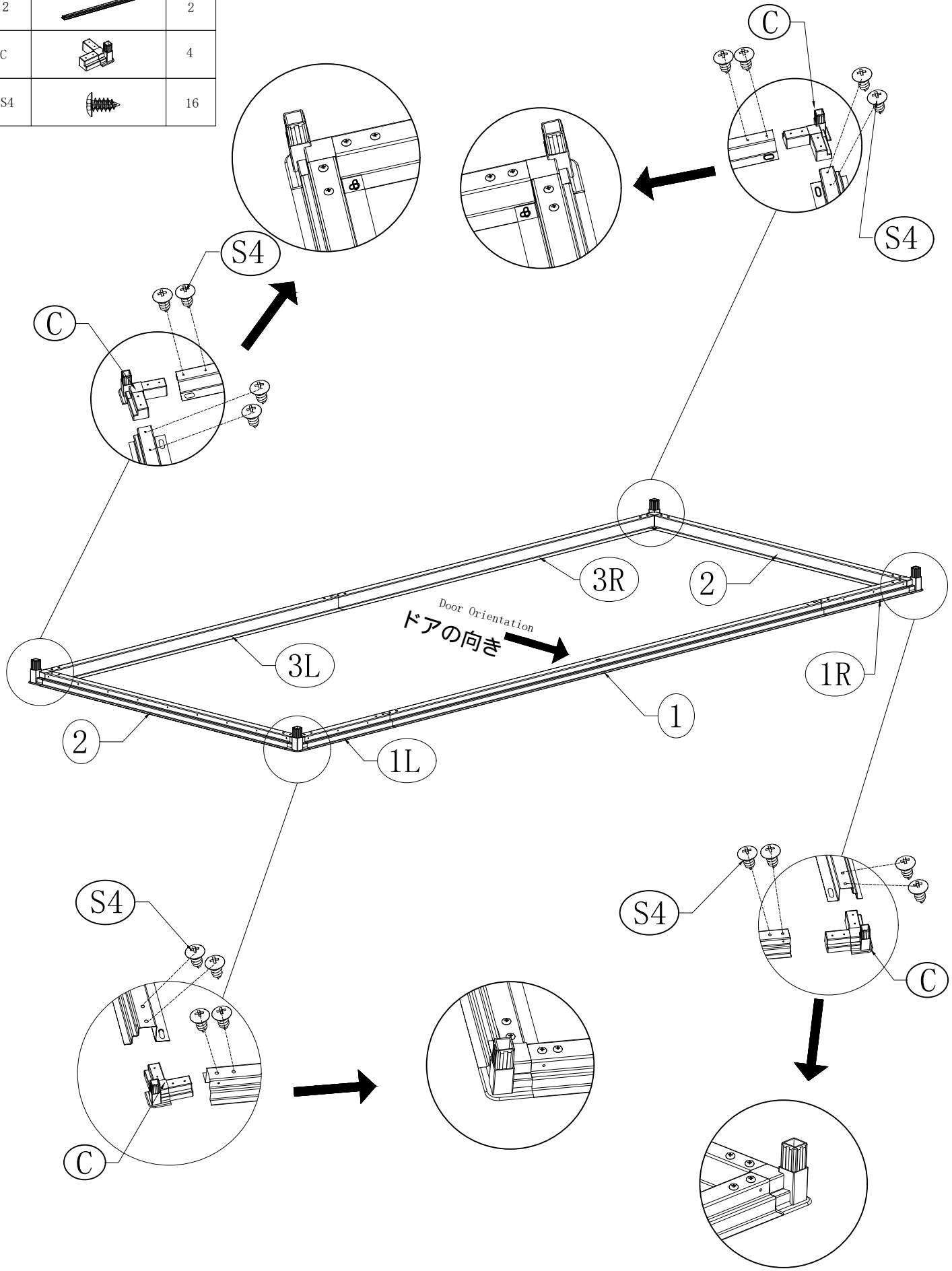
NO.	PART.	Qty.
1L		1
1		1
1R		1
4B		2
S4		8




NO.	PART.	Qty.
3L		1
3R		1
4B		1
S4		4

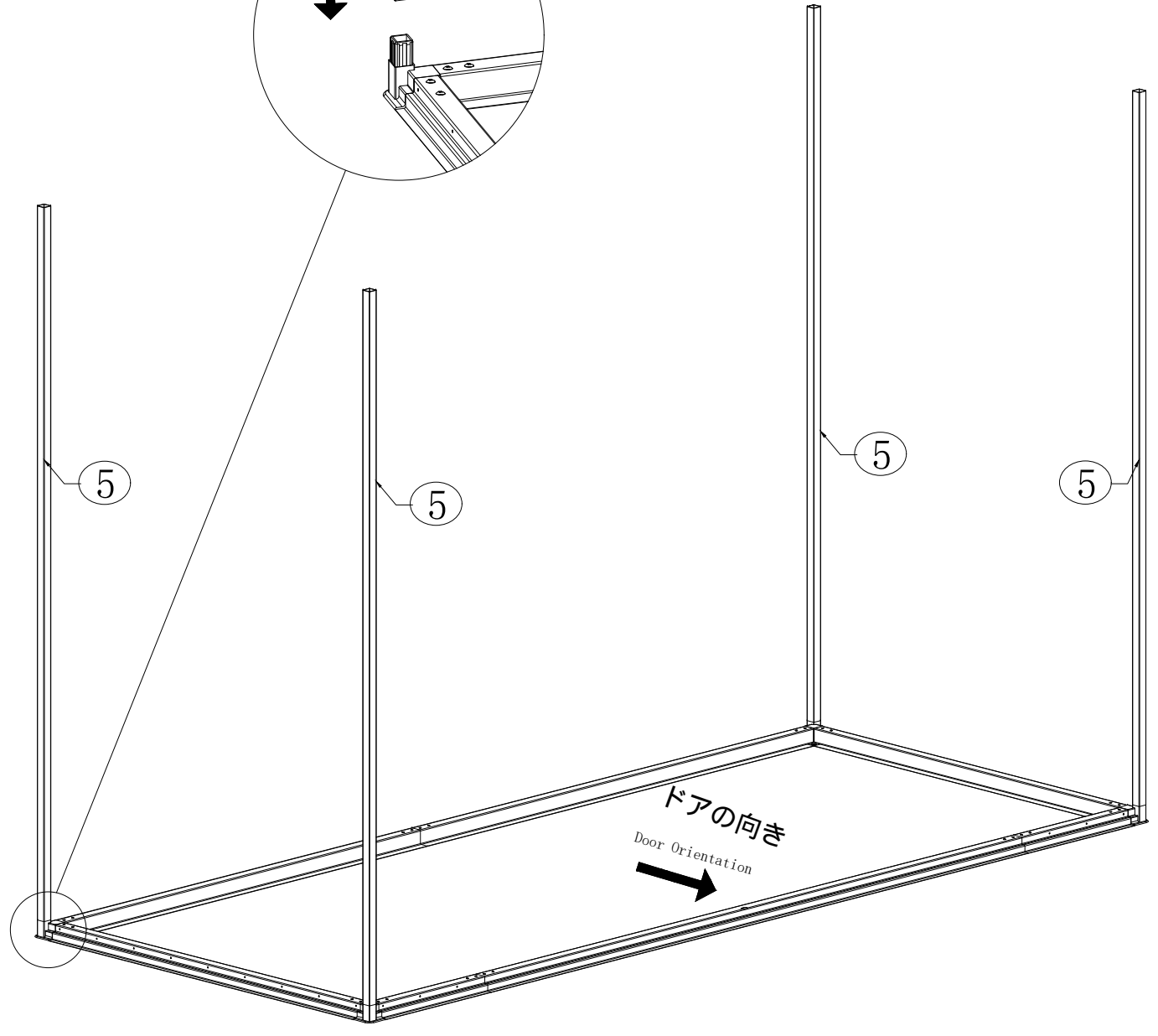
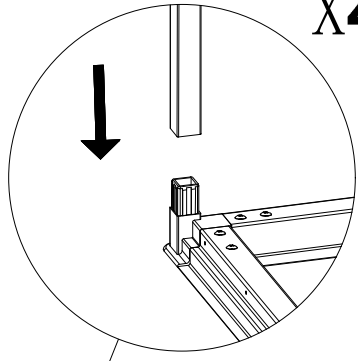



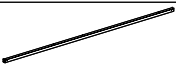



NO.	PART.	Qty.
2		2
C		4
S4		16

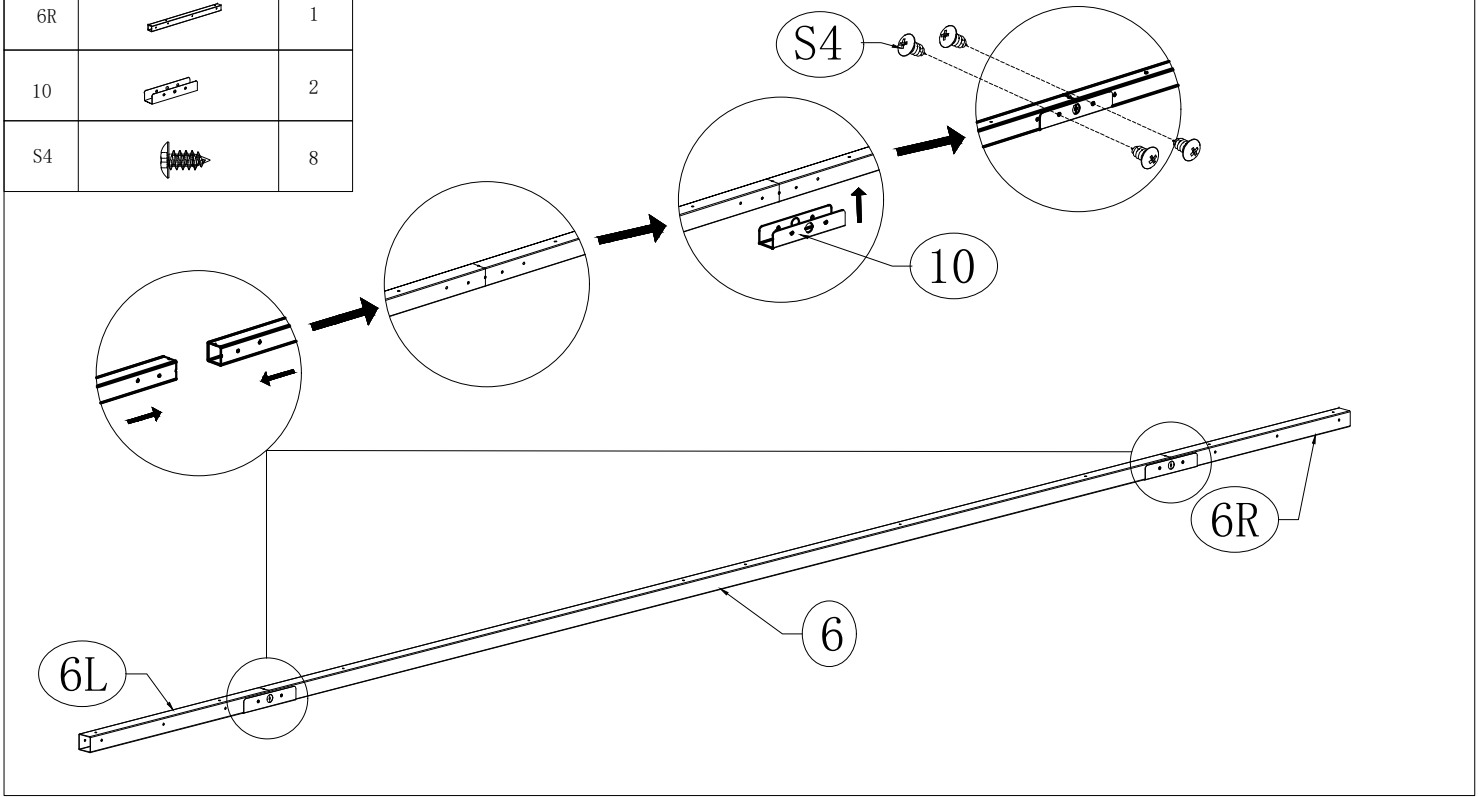





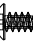
NO.	PART.	Qty.
5		4

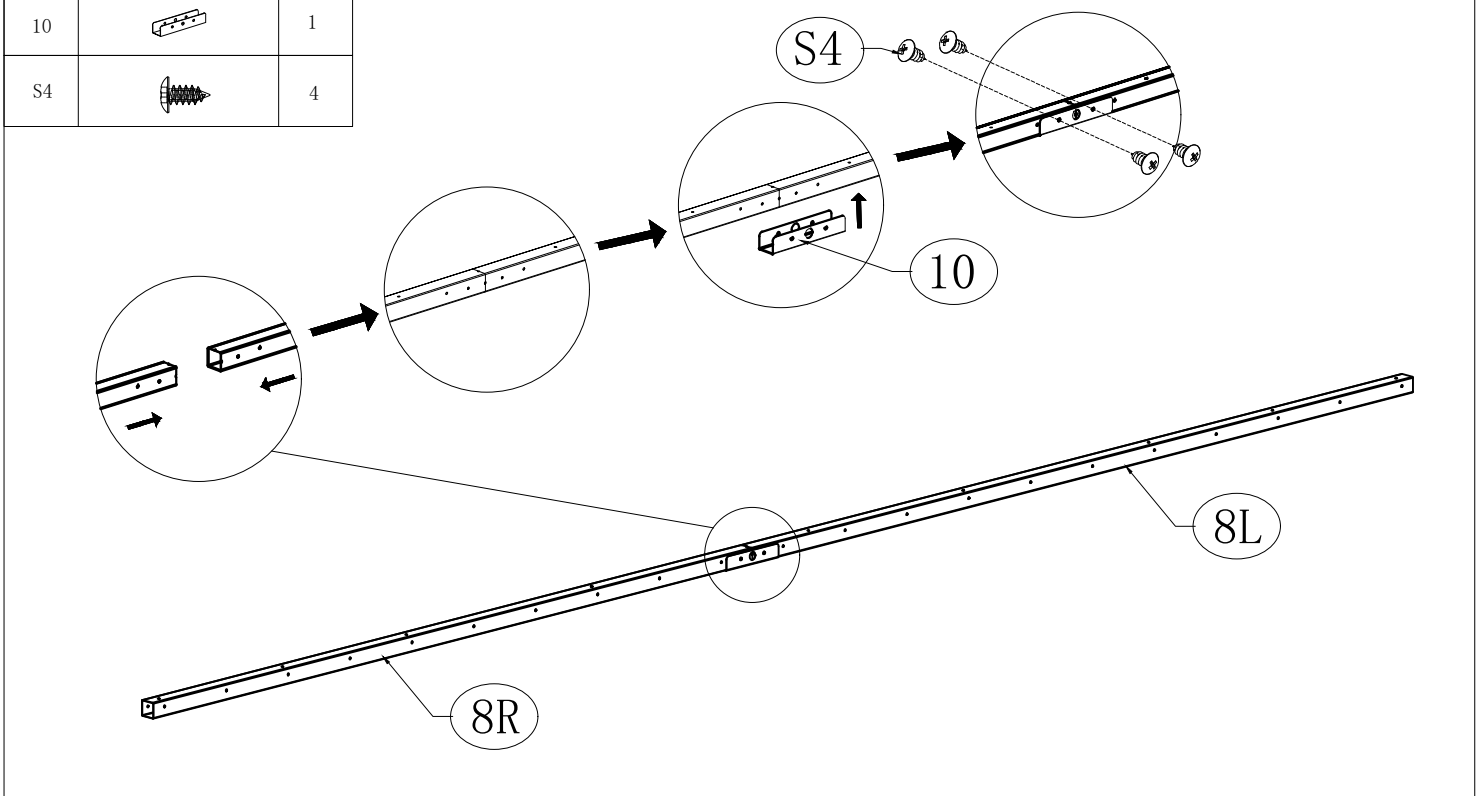
X4






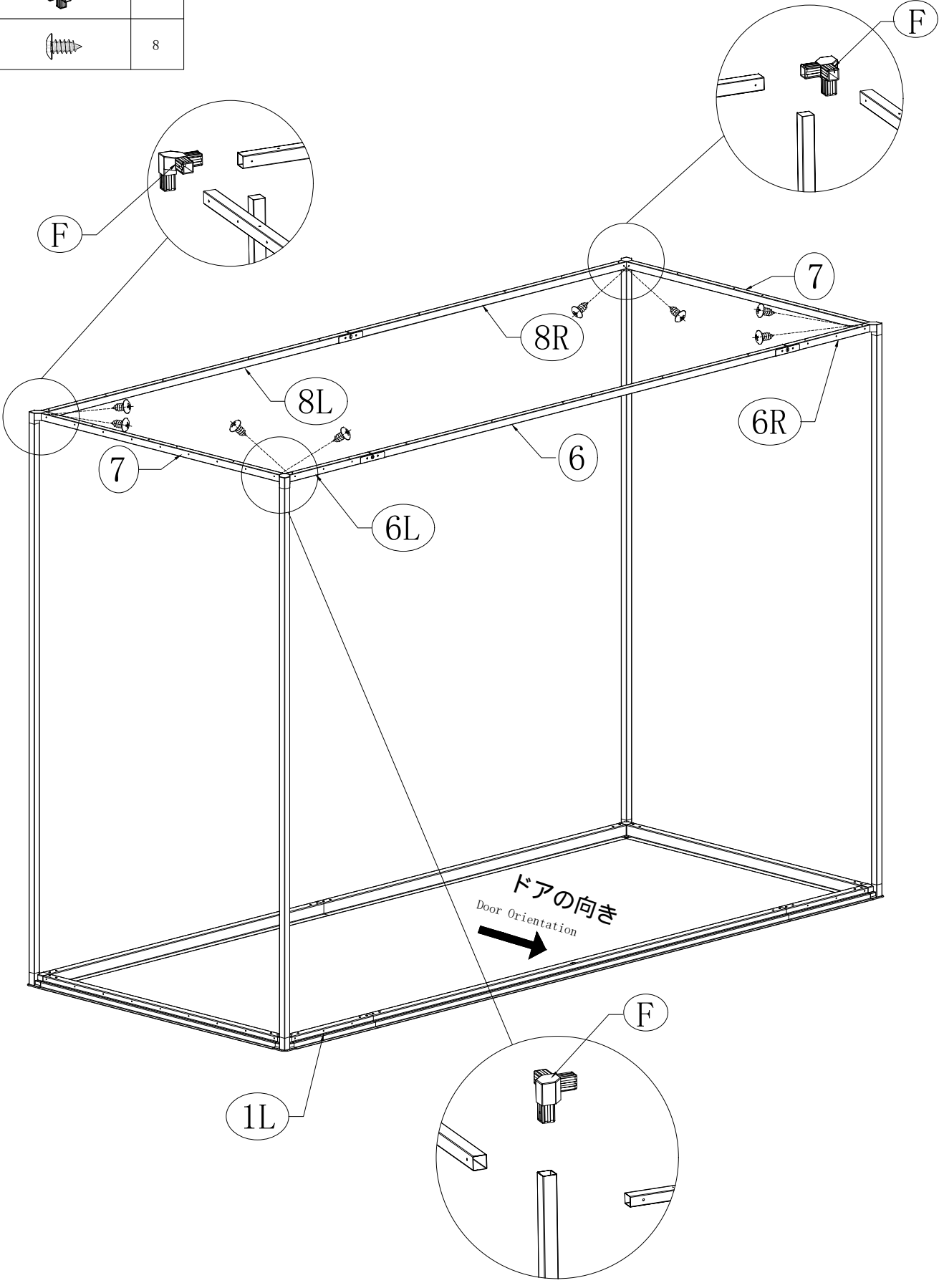
NO.	PART.	Qty.
6L		1
6		1
6R		1
10		2
S4		8



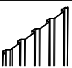
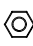



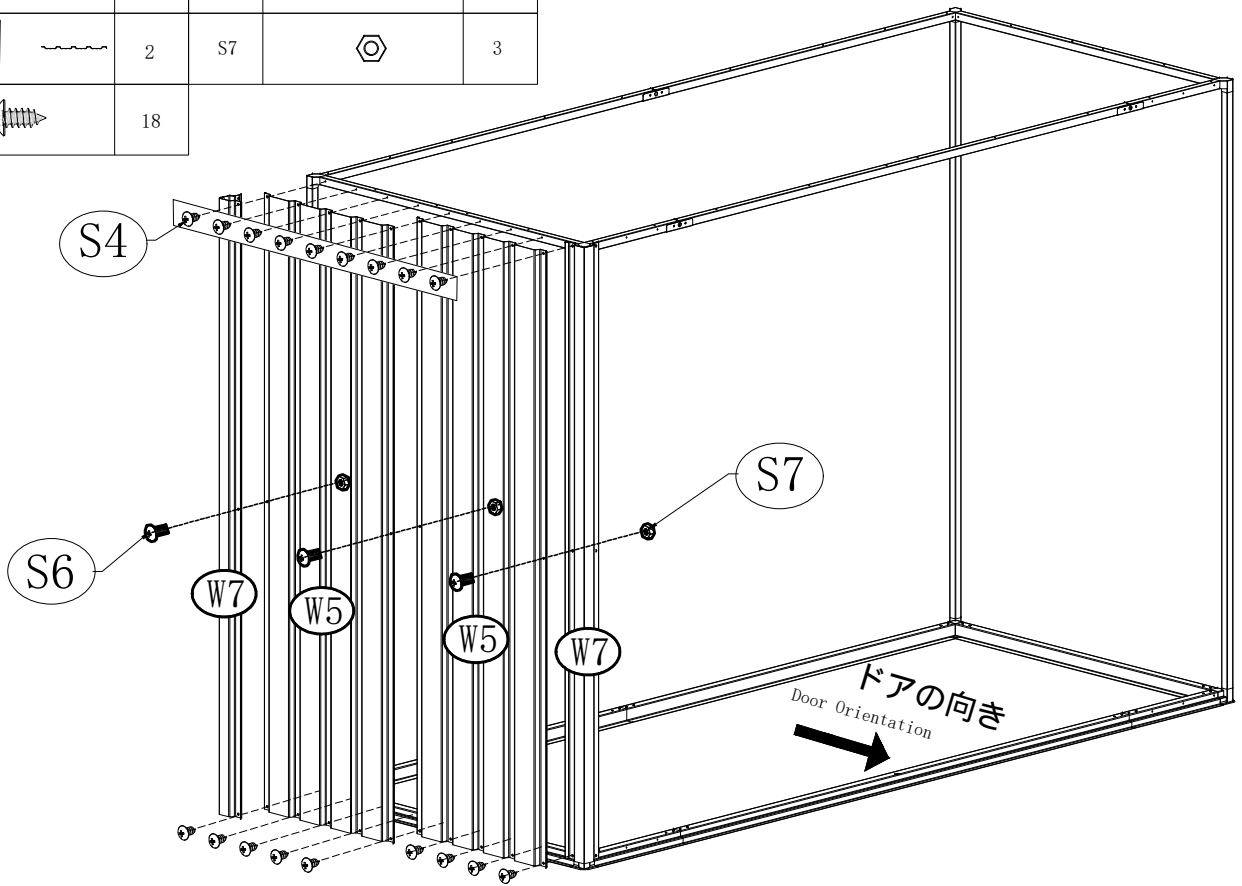
NO.	PART.	Qty.
8L		1
8R		1
10		1
S4		4


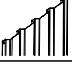





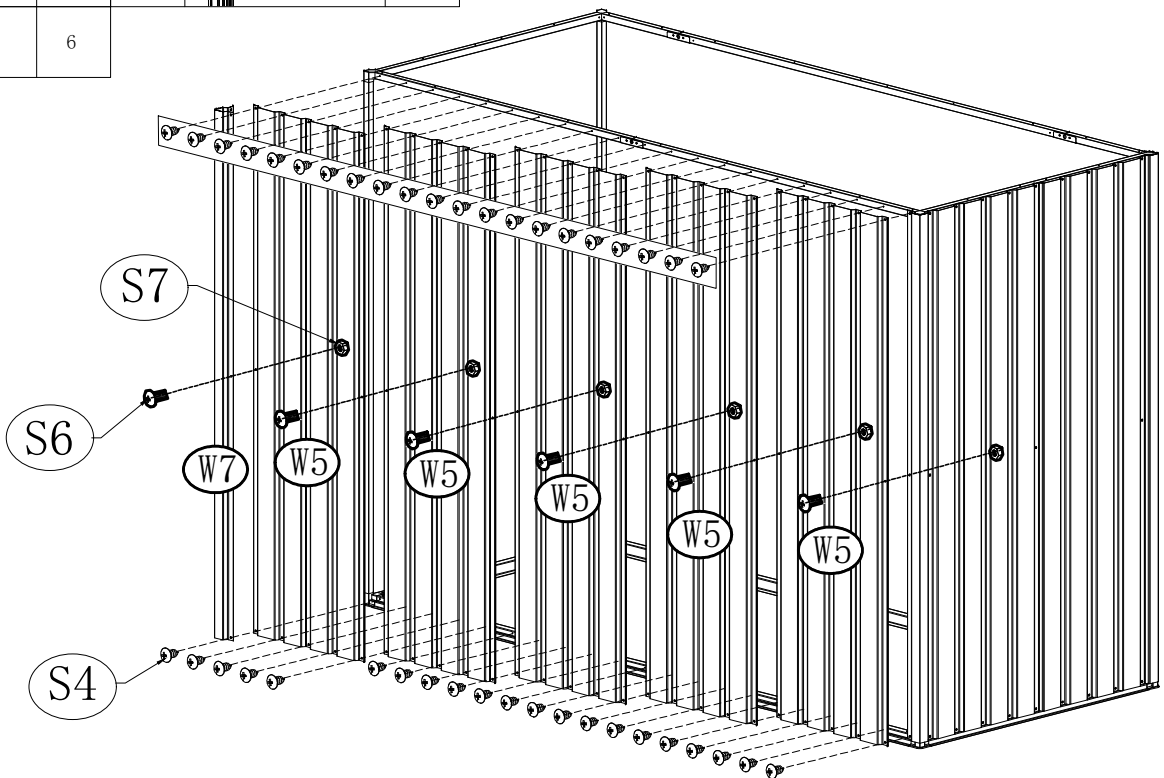
NO.	PART.	Qty.
7		2
F		4
S4		8








NO.	PART.	Qty.	NO.	PART.	Qty.
W7		2	S6		3
W5		2	S7		3
S4		18			

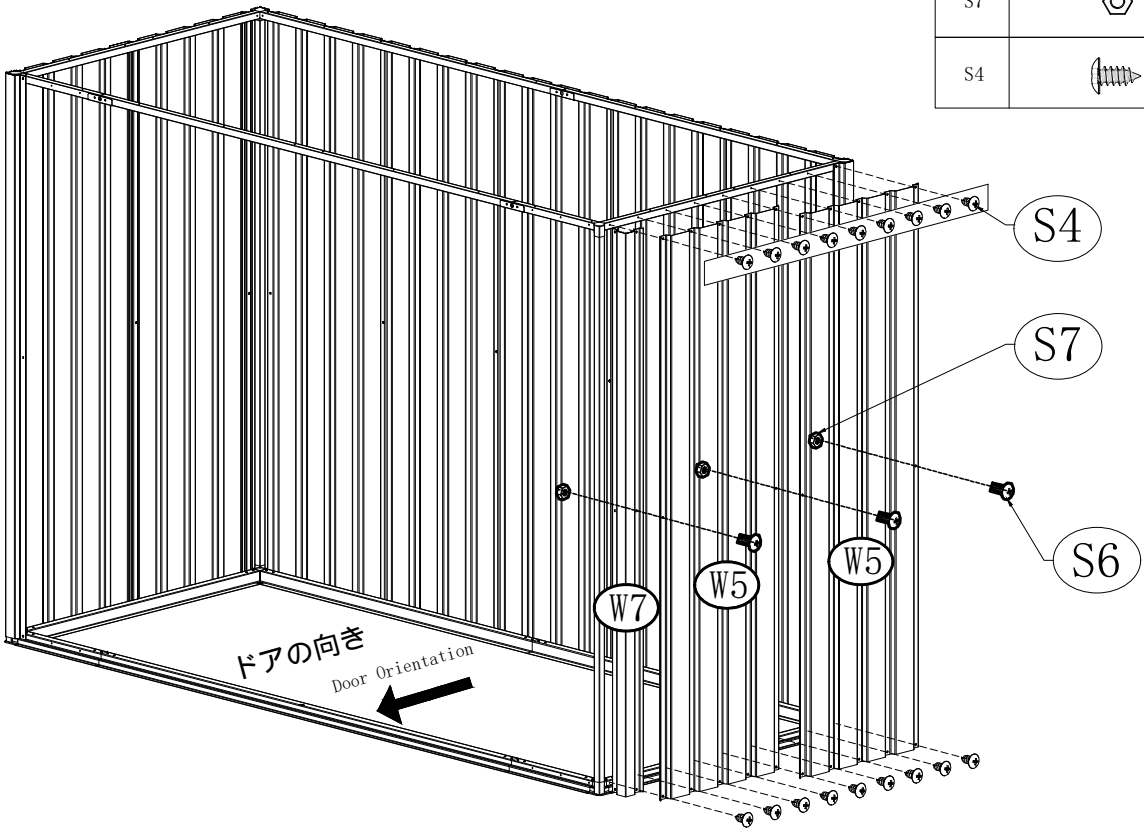




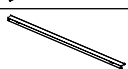



NO.	PART.	Qty.	NO.	PART.	Qty.
S4		42	W5		5
S6		6	W7		1
S7		6			

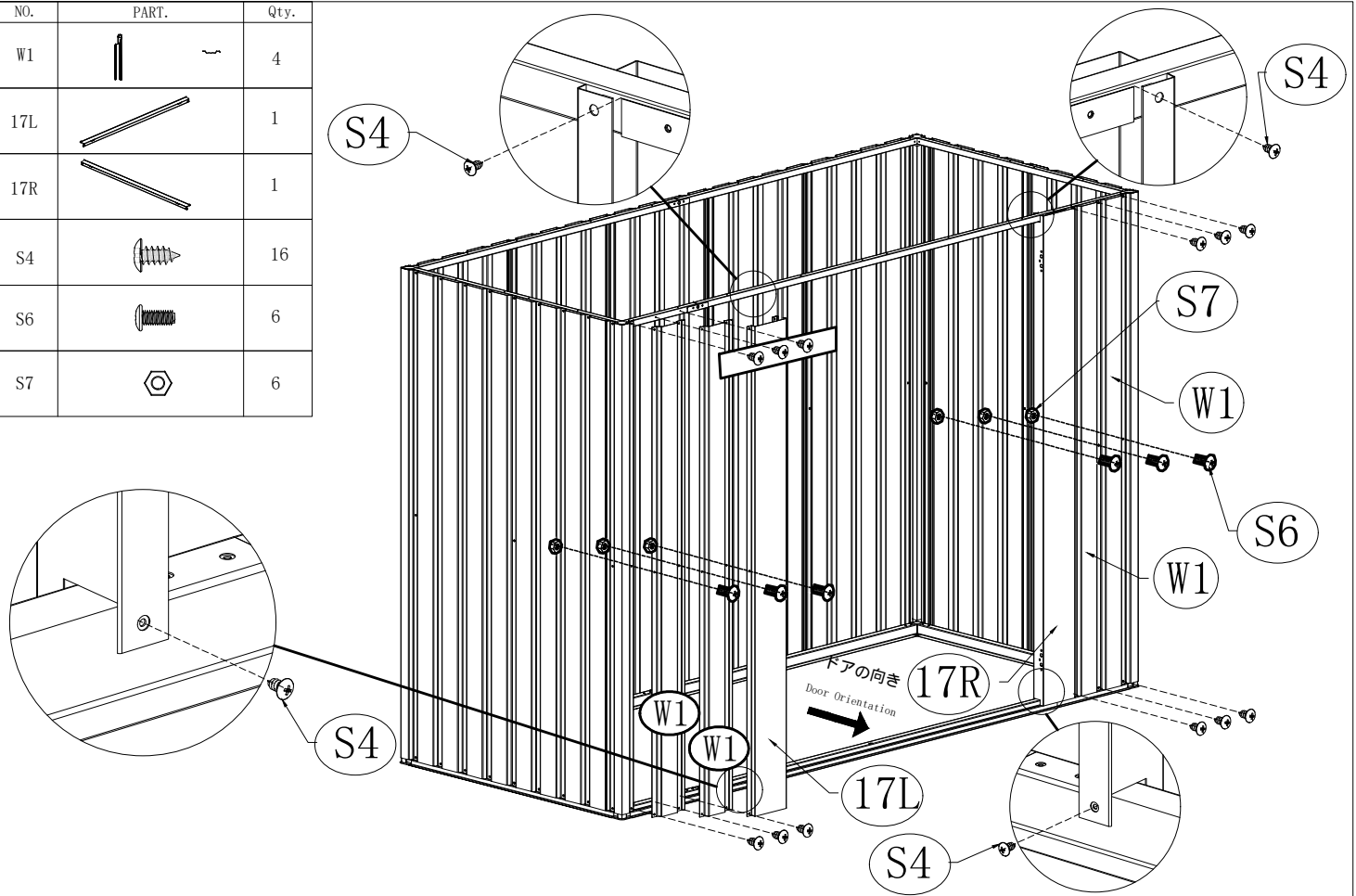









NO.	PART.	Qty.	NO.	PART.	Qty.
W5		2	W7		1

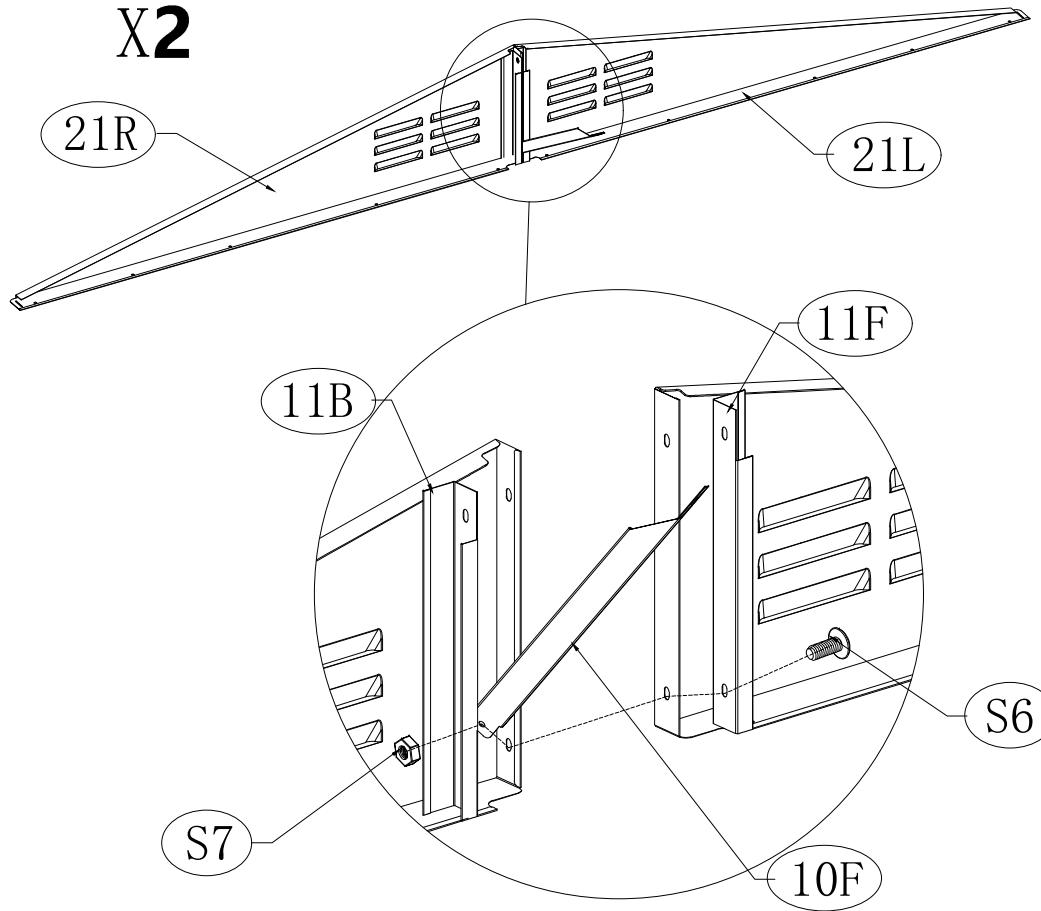
NO.	PART.	Qty.
S6		3
S7		3
S4		18




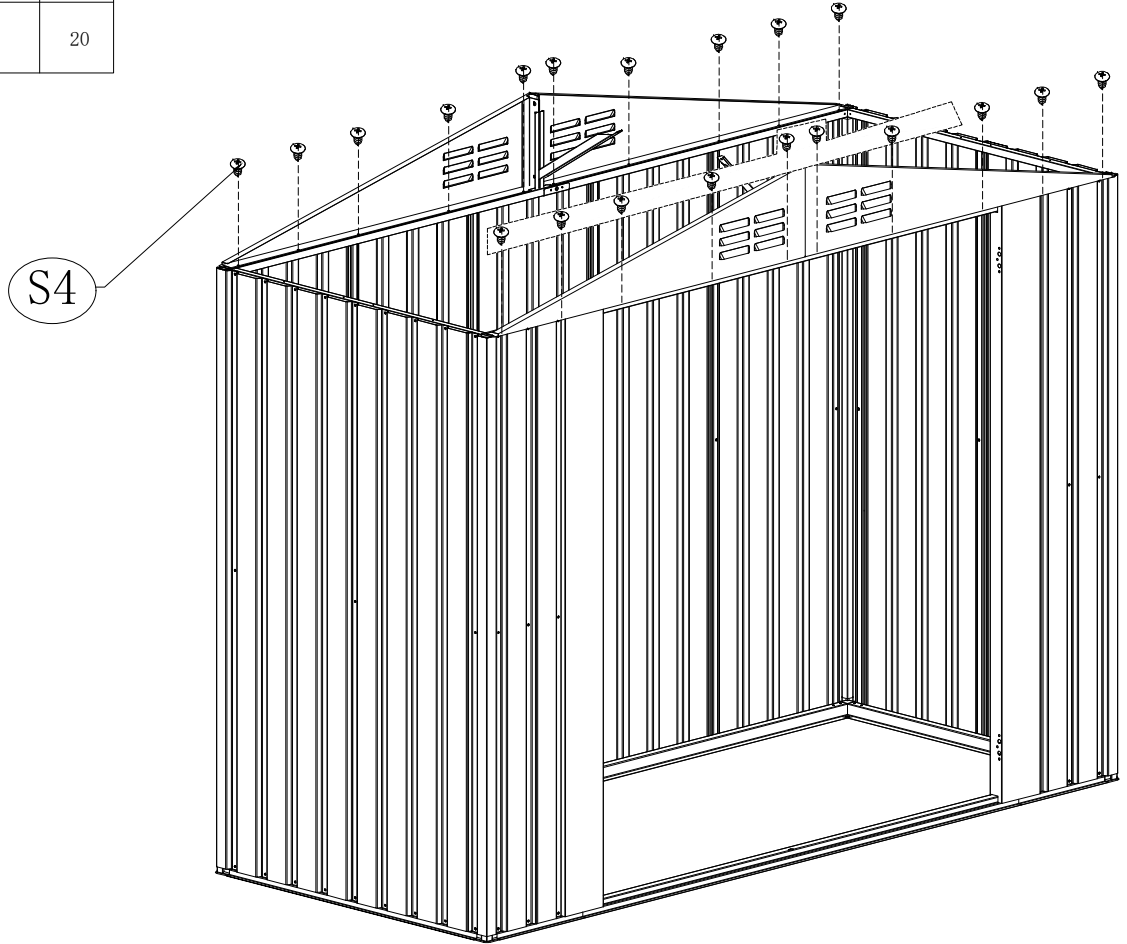
NO.	PART.	Qty.
W1		4
17L		1
17R		1
S4		16
S6		6
S7		6








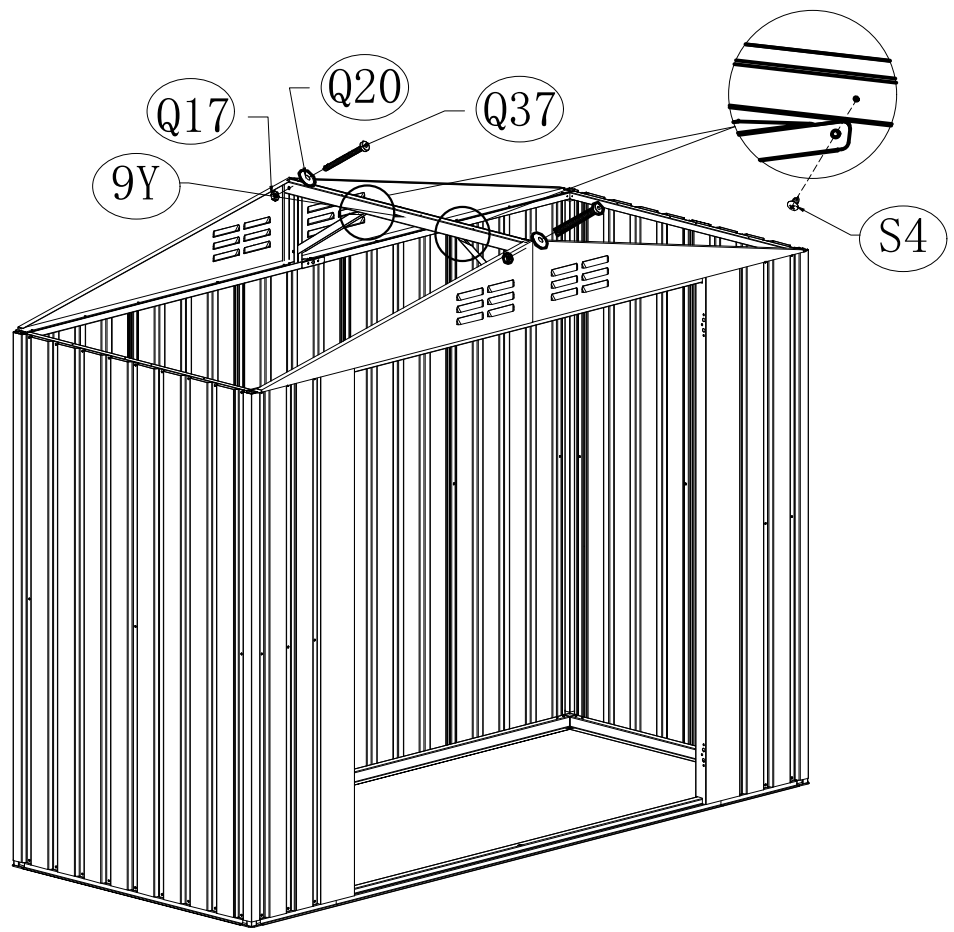
NO.	PART.	Qty.
10F		1
11F		2
11B		2
21L		2
21R		2
S6		2
S7		2

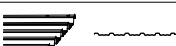




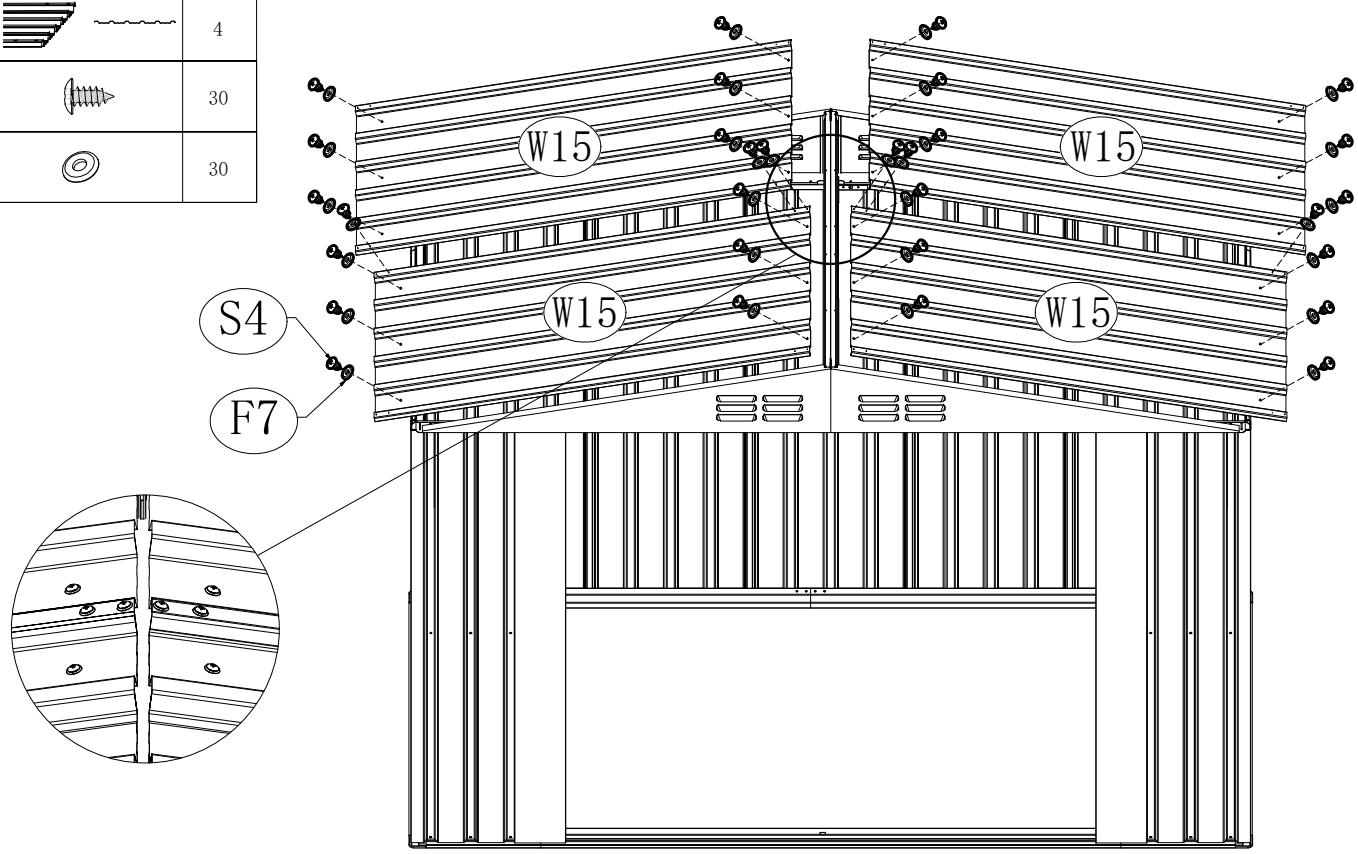
NO.	PART.	Qty.
S4		20






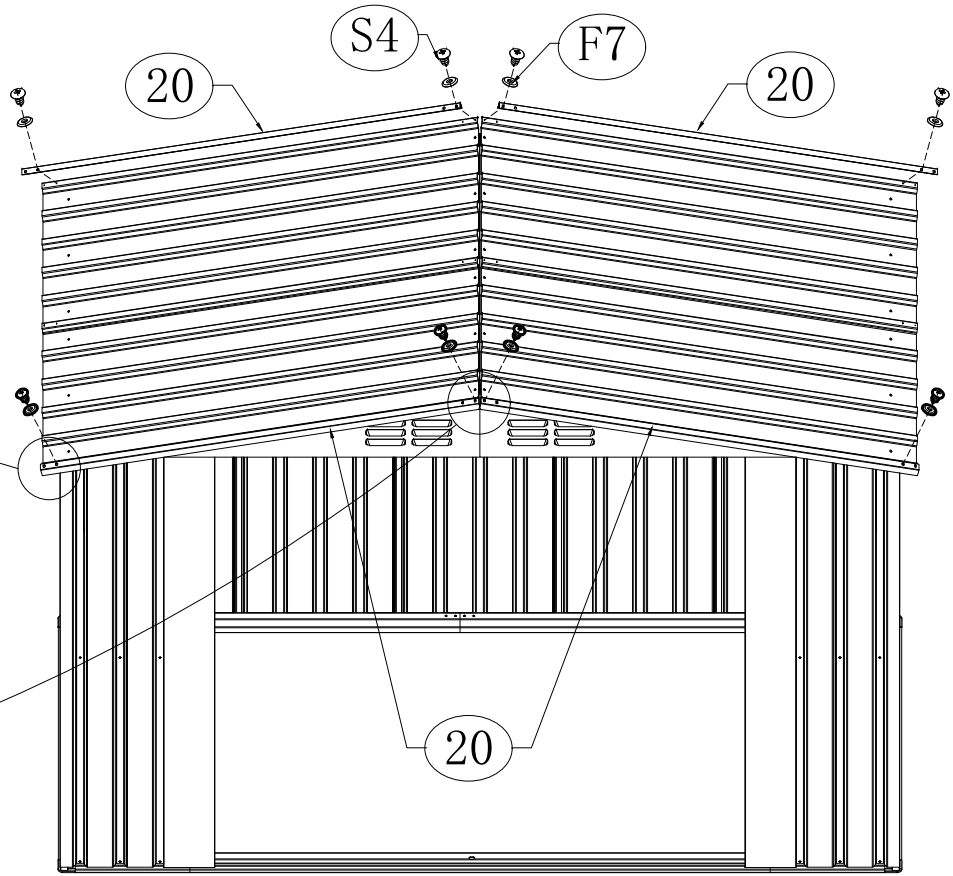
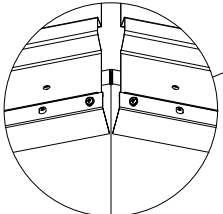
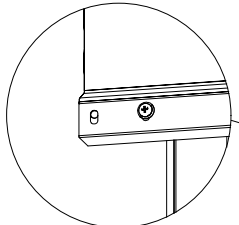
NO.	PART.	Qty.
9Y		1
Q37		2
Q17		2
Q20		2
S4		2








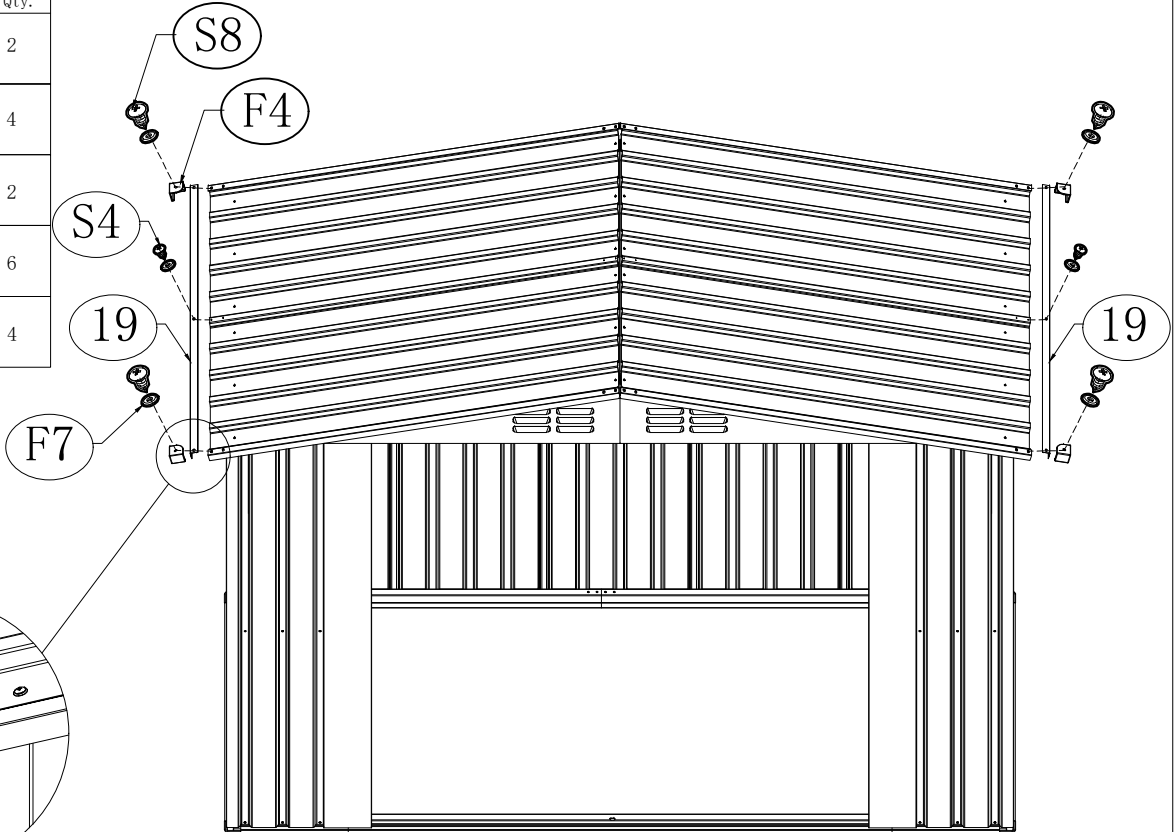
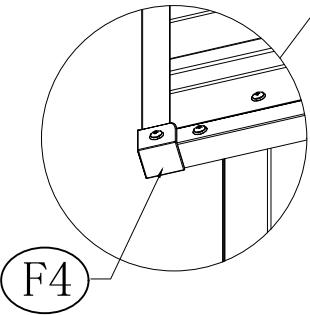
NO.	PART.	Qty.
W15		4
S4		30
F7		30







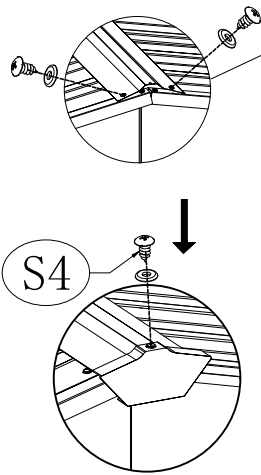
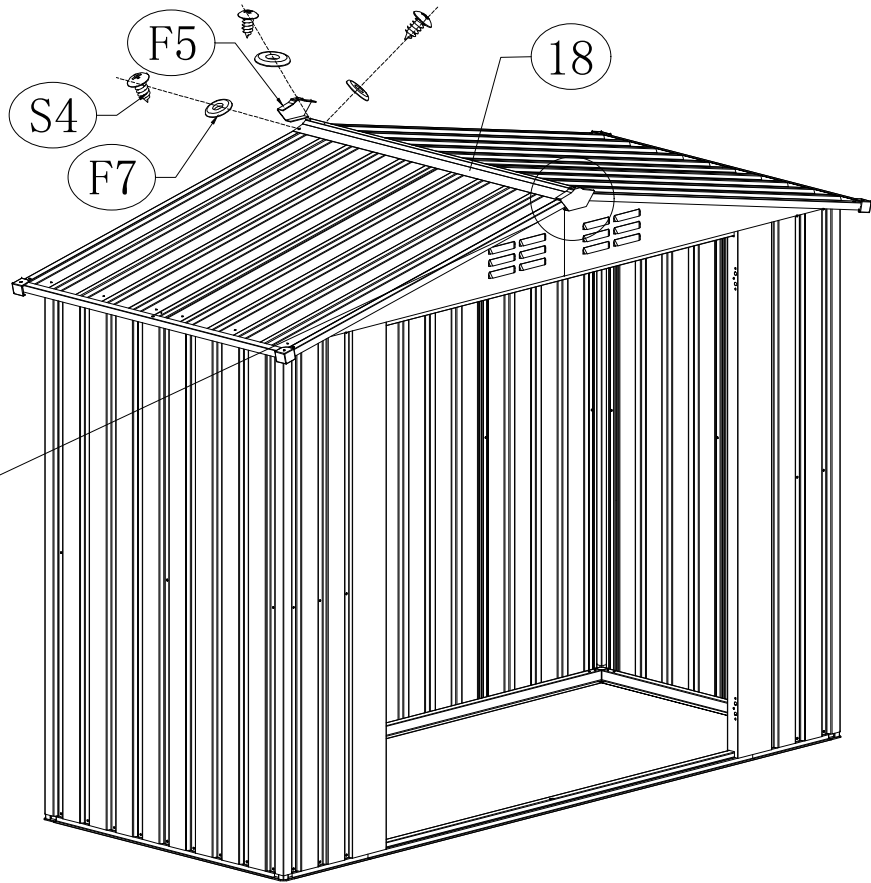
NO.	PART.	Qty.
20		4
S4		8
F7		8

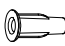


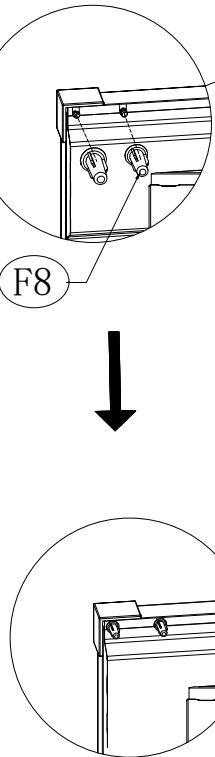
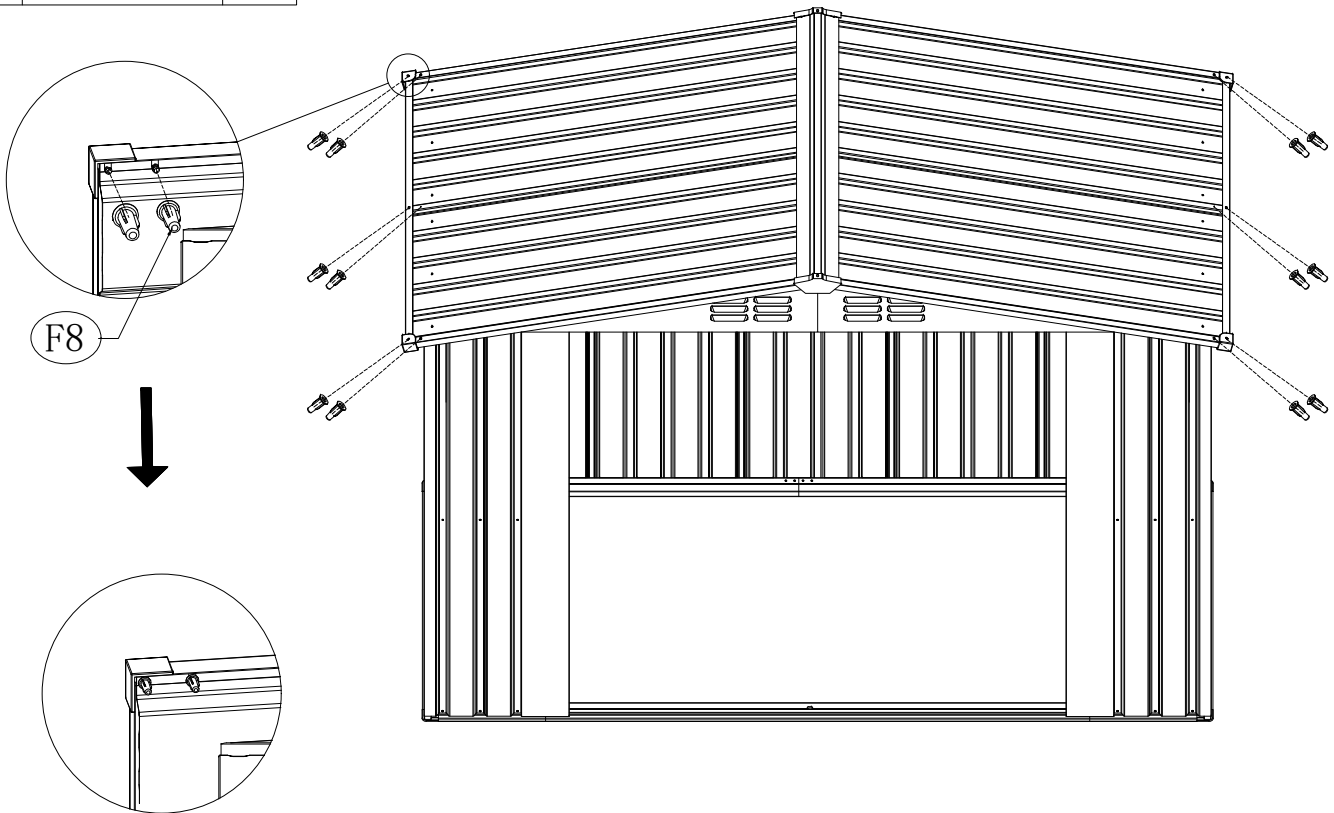
NO.	PART.	Qty.
19		2
F4		4
S4		2
F7		6
S8		4


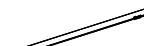





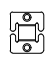


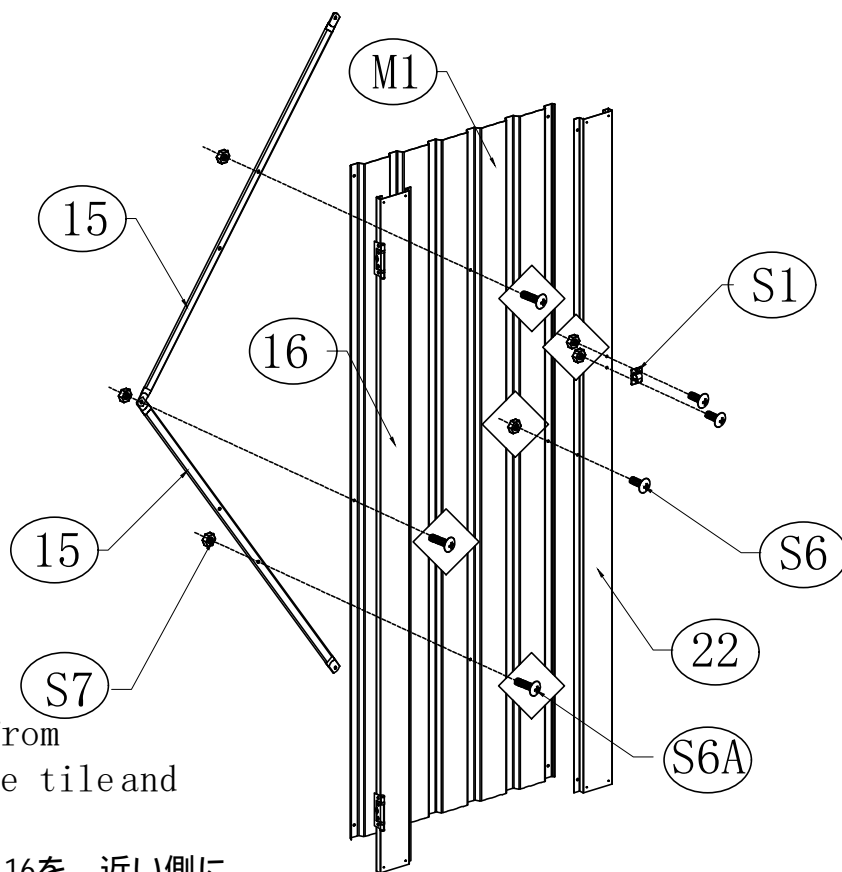
NO.	PART.	Qty.
18		1
F5		2
S4		6
F7		6



NO.	PART.	Qty.
F8		12





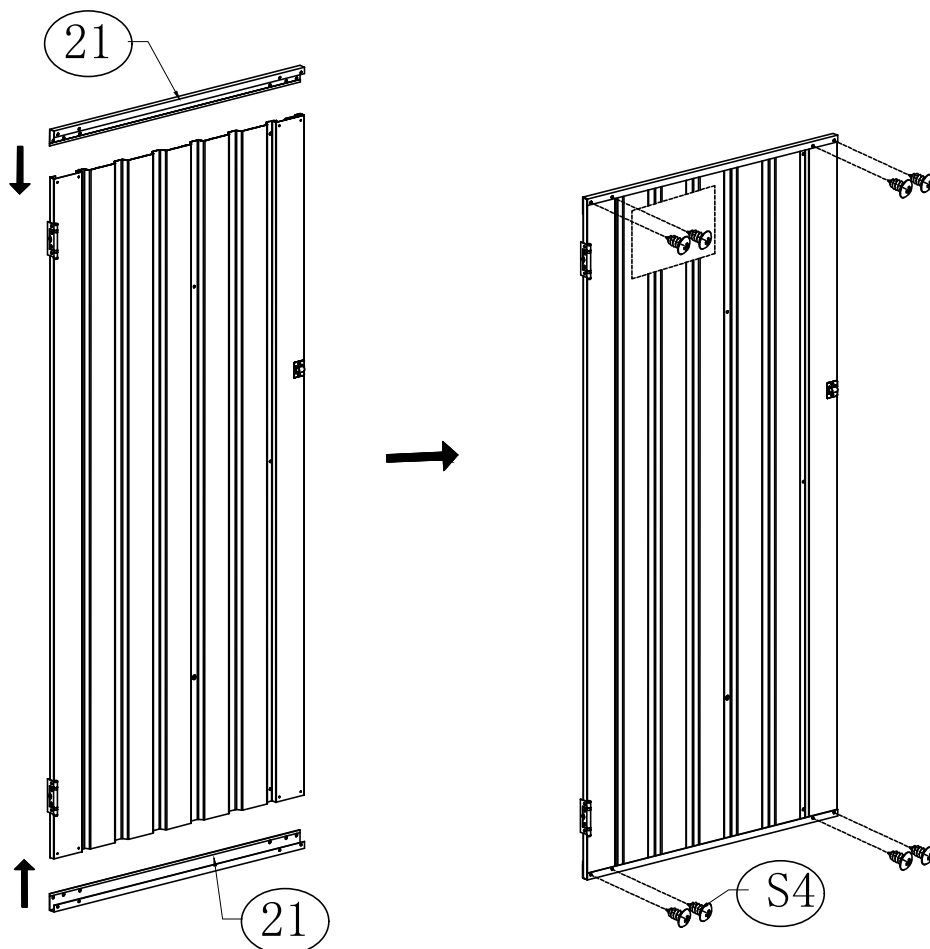
NO.	PART.	Qty.
15		2
16		1
22		1
M1		1
S6		3
S7		6
S6A		3
S1		1


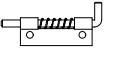
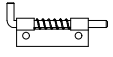





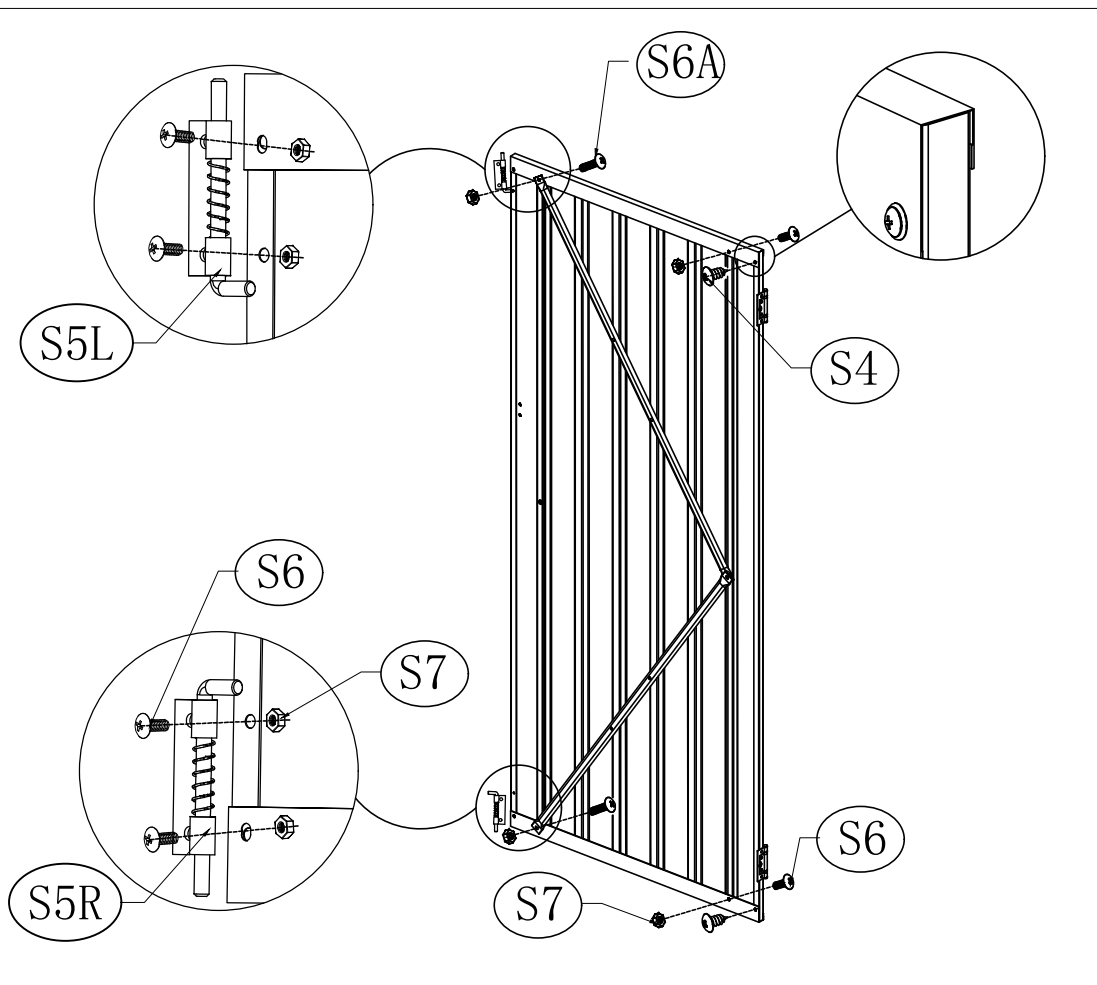
Put 16 on the side farther from the hole in the center of the tile and 22 on the side nearer.


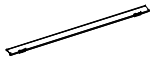


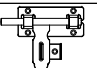
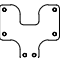



タイルの中央にある穴から遠い側に16を、近い側に22を配置してください。

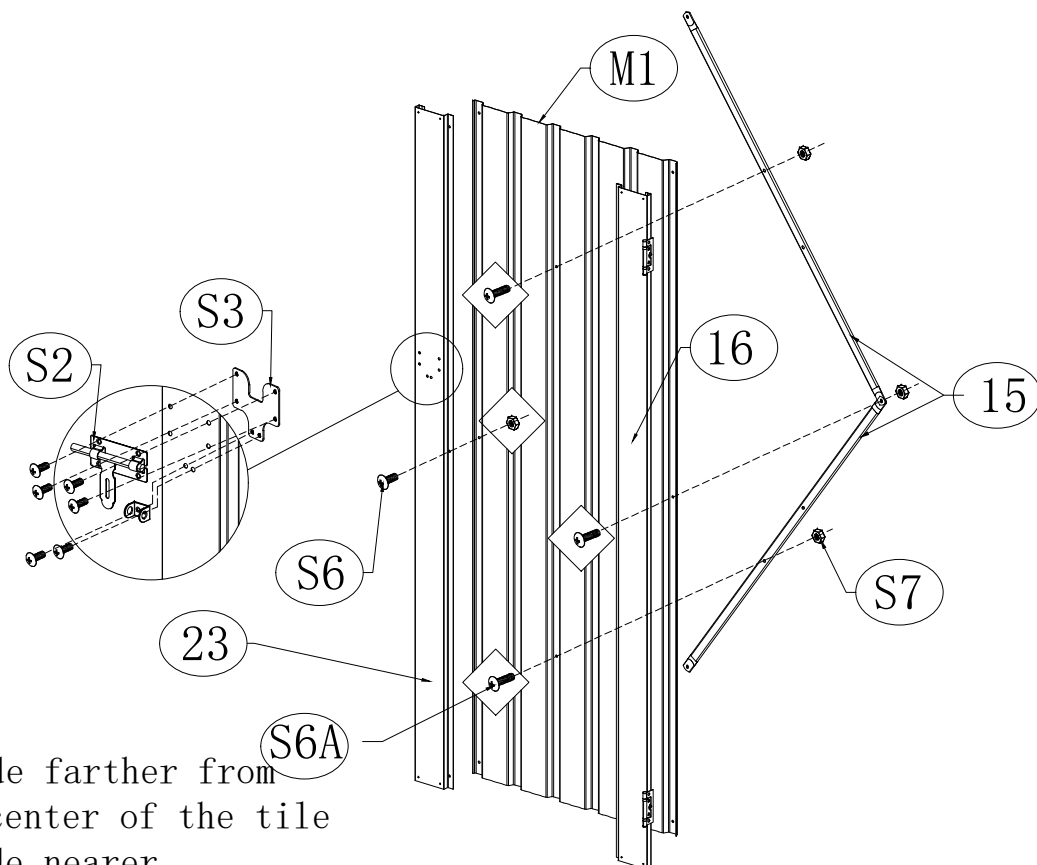
NO.	PART.	Qty.
21		2
S4		8



NO.	PART.	Qty.
S4		2
S5L		1
S5R		1
S6		6
S6A		2
S7		8





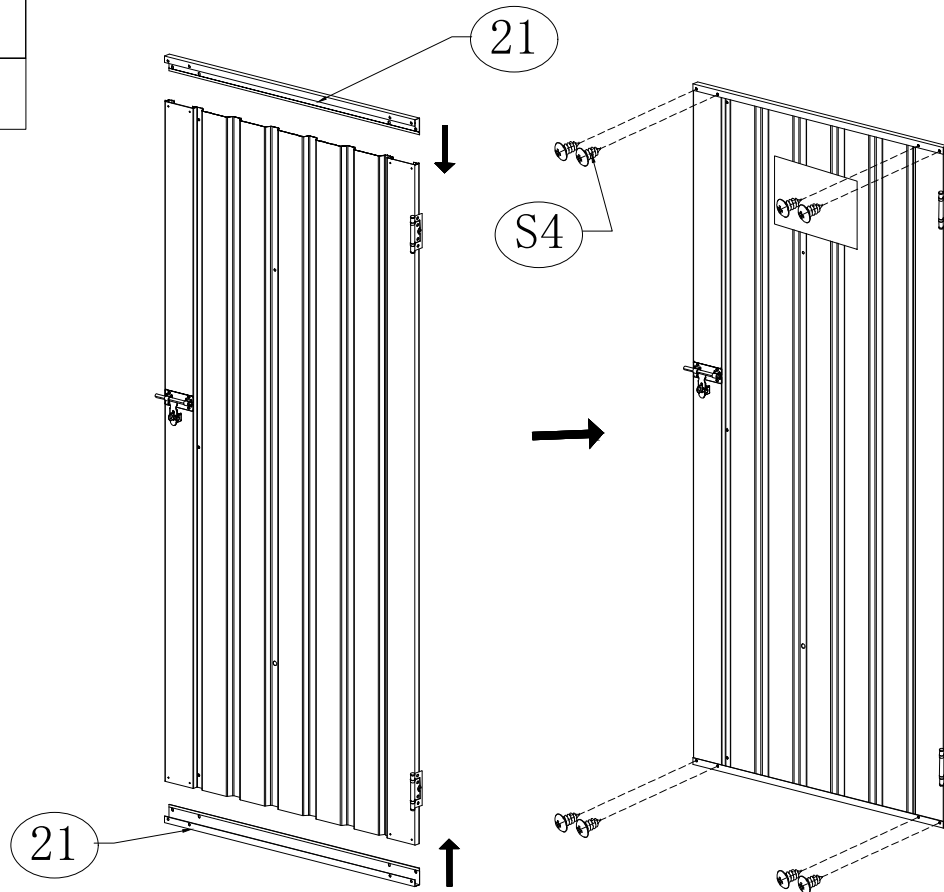
NO.	PART.	Qty.
15		2
16		1
23		1
M1		1
S2		1
S3		1
S6		7
S6A		3
S7		4







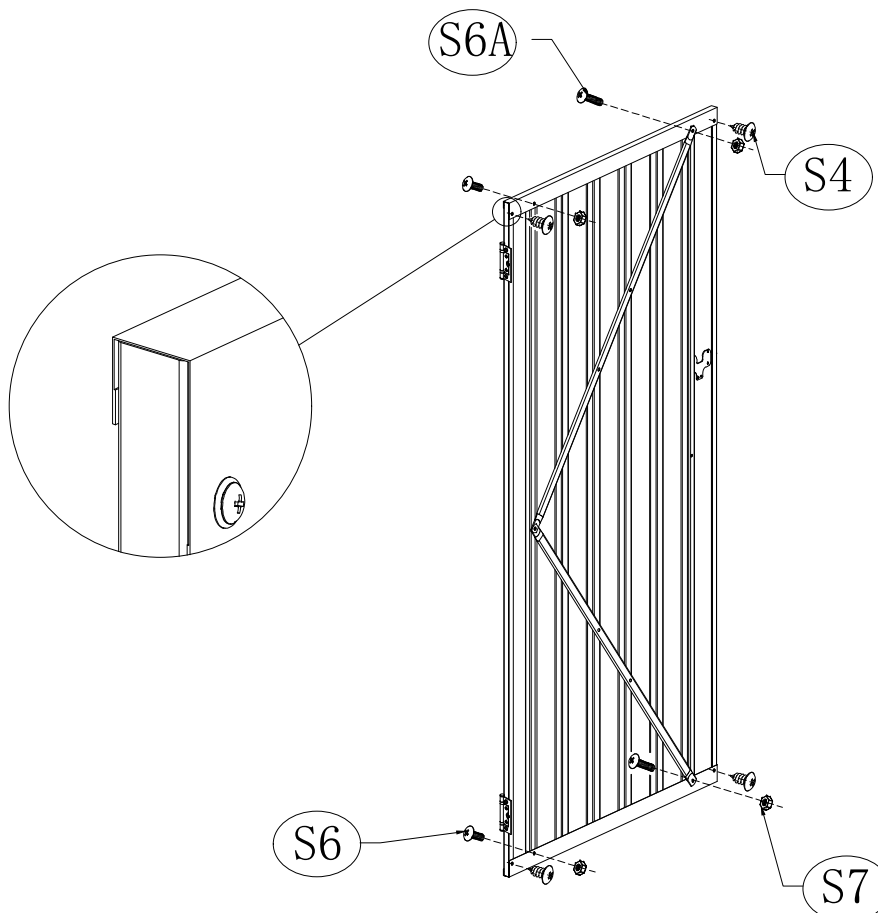
Put 16 on the side farther from the hole in the center of the tile and 23 on the side nearer.




タイルの中央にある穴から遠い側に16を、近い側に23を配置してください。

NO.	PART.	Qty.
21		2
S4		8



NO.	PART.	Qty.
S4		4
S6		2
S6A		2
S7		4



NO.	PART.	Qty.
S6		12
S7		12
S9		4

