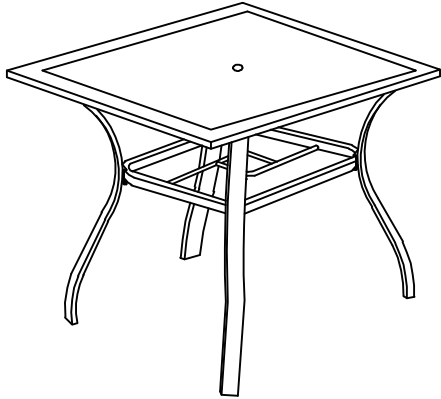



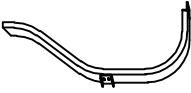


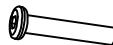


# ASSEMBLY MANUAL



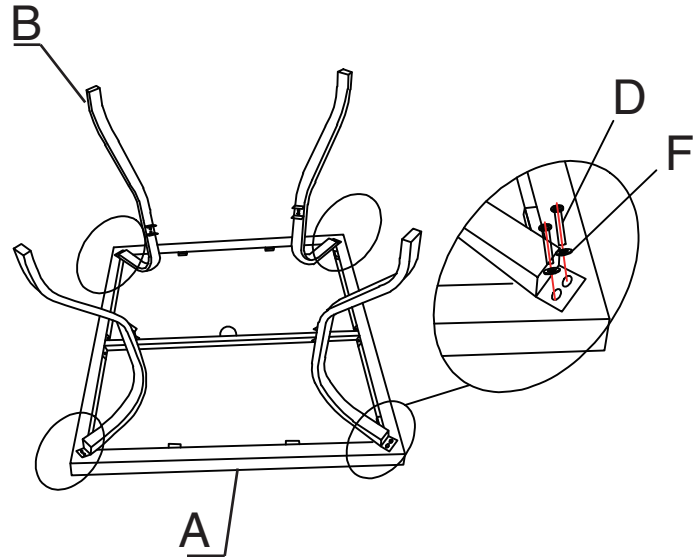
## ASSEMBLY INSTRUCTIONS

- Prior to assembly, make sure you lay out and identify all the parts listed below in the parts list.
- Tighten all nuts and bolts securely. All bolts should be hand tightened before use. Never use power tools or excessive force during assembly and tightening of bolts.
- Should you experience any difficulty during assembly or if any part is missing or damaged:

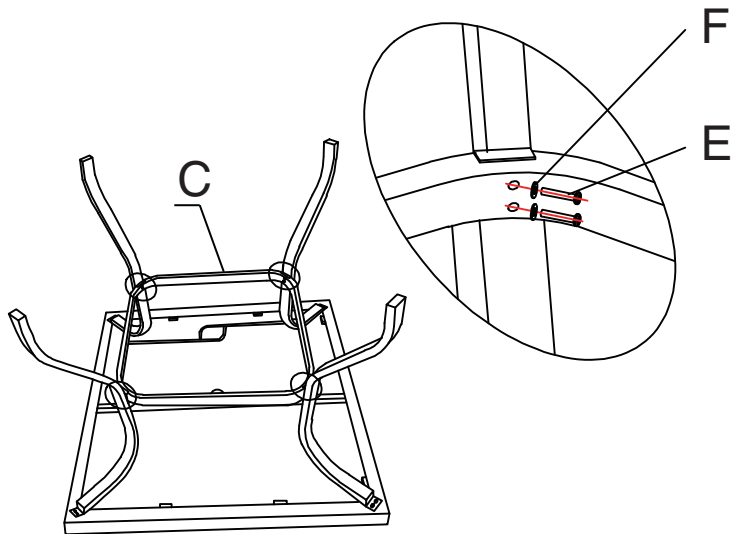
# Part list

Part	Description	Qty
A	 Top	1
B	 Leg	4
C	 Leg Connector	1
D	 M6X15 Screws	8
E	 M6X28 Screws	8
F	 Washer	16
G	 Allen key	1

1. Connect the Top (Part A) and Legs (Part B) using Screws(D) and Washer (F) as shown in diagram.



2. Connect Leg Connector (Part C) with Legs (Part B) using screws (E) and Washer (F) as shown in diagram.



3. Eventually, check all screws are fixed tightly before using on the level ground.

